



22N60

Power MOSFET

22A, 600V N-CHANNEL POWER MOSFET

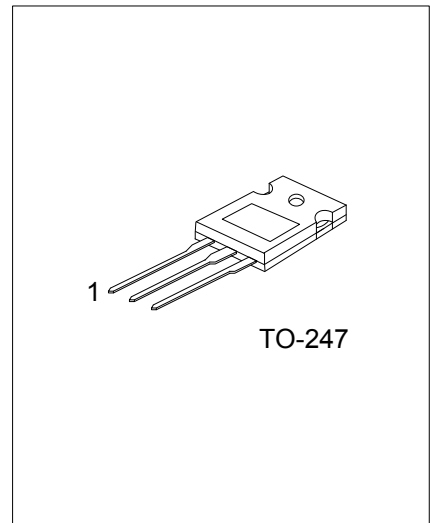
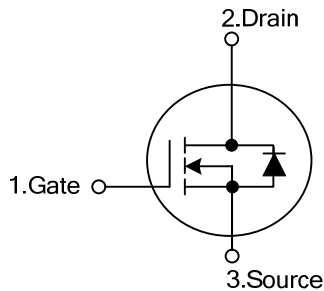
DESCRIPTION

As the SMPS MOSFET, the UTC **22N60** uses UTC's advanced technology to provide excellent $R_{DS(ON)}$, low gate charge and operation with low gate voltages. This device is suitable for use as a load switch or in PWM applications.

FEATURES

- * $R_{DS(ON)} = 0.35\Omega$
- * Ultra Low Gate Charge (Typical 150 nC)
- * Low Reverse Transfer Capacitance ($C_{RSS} = \text{Typical } 36 \text{ pF}$)
- * Fast Switching Capability
- * Avalanche Energy Specified
- * Improved dv/dt Capability, High Ruggedness

SYMBOL



ORDERING INFORMATION

Ordering Number		Package	Pin Assignment			Packing
Lead Free	Halogen Free		1	2	3	
22N60L-T47-T	22N60G-T47-T	TO-247	G	D	S	Tube

<p>22N60L-T47-T</p> <p>(1)Packing Type</p> <p>(2)Package Type</p> <p>(3)Lead Free</p>	<p>(1) T: Tube</p> <p>(2) T47: TO-247</p> <p>(3) G: Halogen Free, L: Lead Free</p>
---	--

■ ABSOLUTE MAXIMUM RATINGS ($T_c = 25^\circ\text{C}$, unless otherwise specified)

PARAMETER		SYMBOL	RATINGS	UNIT
Drain-Source Voltage		V_{DSS}	600	V
Gate-Source Voltage		V_{GSS}	± 30	V
Avalanche Current		I_{AR}	22	A
Continuous Drain Current		I_D	22	A
Pulsed Drain Current (Note 1)		I_{DM}	88	A
Avalanche Energy	Single Pulsed	E_{AS}	380	mJ
	Repetitive	E_{AR}	37	mJ
Peak Diode Recovery dv/dt (Note 3)		dv/dt	18	V/ns
Power Dissipation		P_D	370	W
Junction Temperature		T_J	150	$^\circ\text{C}$
Operating Temperature		T_{OPR}	-55 ~ +150	$^\circ\text{C}$
Storage Temperature		T_{STG}	-55 ~ +150	$^\circ\text{C}$

Note: Absolute maximum ratings are those values beyond which the device could be permanently damaged.

Absolute maximum ratings are stress ratings only and functional device operation is not implied.

■ THERMAL DATA

PARAMETER	SYMBOL	RATINGS	UNIT
Junction to Ambient	θ_{JA}	40	$^\circ\text{C}/\text{W}$
Junction to Case	θ_{JC}	0.34	$^\circ\text{C}/\text{W}$

■ ELECTRICAL CHARACTERISTICS ($T_J = 25^\circ\text{C}$, unless otherwise specified)

PARAMETER	SYMBOL	TEST CONDITIONS	MIN	TYP	MAX	UNIT
OFF CHARACTERISTICS						
Drain-Source Breakdown Voltage	BV_{DSS}	$V_{GS}=0V, I_D=250\mu A$	600			V
Drain-Source Leakage Current	I_{DSS}	$V_{DS}=600V, V_{GS}=0V$			50	μA
Gate- Source Leakage Current	I_{GSS}	$V_{DS}=0V, V_{GS}=\pm 30V$			± 100	nA
Breakdown Voltage Temperature Coefficient	$\Delta BV_{DSS}/\Delta T_J$	$I_D=1mA, \text{Referenced to } 25^\circ\text{C}$		0.30		$V/^\circ\text{C}$
ON CHARACTERISTICS						
Gate Threshold Voltage	$V_{GS(TH)}$	$V_{DS}=V_{GS}, I_D=250\mu A$	2.0		4.0	V
Static Drain-Source On-Resistance	$R_{DS(ON)}$	$V_{GS}=10V, I_D=13A \text{ (Note 4)}$		0.26	0.35	Ω
DYNAMIC PARAMETERS						
Input Capacitance	C_{ISS}	$V_{DS}=25V, V_{GS}=0V, f=1.0MHz$		3570		pF
Output Capacitance	C_{OSS}			350		pF
Reverse Transfer Capacitance	C_{RSS}			36		pF
SWITCHING PARAMETERS						
Turn-ON Delay Time	$t_{D(ON)}$	$V_{DD}=300V, I_D=22A, R_G=6.2\Omega$ $V_{GS}=10V \text{ (Note 4)}$		26		ns
Turn-ON Rise Time	t_R			99		ns
Turn-OFF Delay Time	$t_{D(OFF)}$			48		ns
Turn-OFF Fall-Time	t_F			37		ns
Total Gate Charge	Q_G	$V_{DS}=480V, V_{GS}=10V,$ $I_D=22A \text{ (Note 4)}$			150	nC
Gate Source Charge	Q_{GS}				45	nC
Gate Drain Charge	Q_{GD}				76	nC
DRAIN-SOURCE DIODE CHARACTERISTICS AND MAXIMUM RATINGS						
Drain-Source Diode Forward Voltage	V_{SD}	$V_{GS}=0V, I_S=22A$			1.5	V
Continuous Source Current (Body Diode)	I_S	(Note 1)			22	A
Pulsed Source Current (Body Diode)	I_{SM}				88	A
Reverse Recovery Time	t_{rr}	$I_S=22A, di/dt=100A/\mu s$		590	890	ns
Reverse Recovery Charge	Q_{RR}	(Note 4)		7.2	11	μC

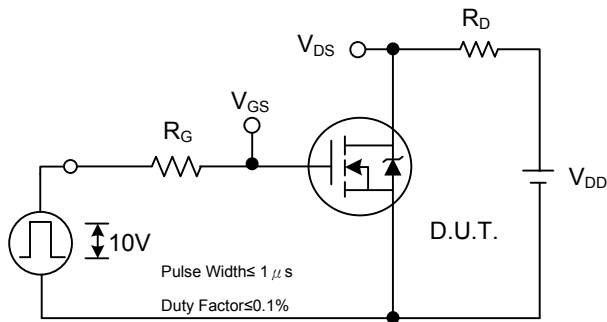
Notes: 1. Repetitive rating; pulse width limited by max. junction temperature.

2. $T_J = 25^\circ\text{C}$, $L = 1.5mH$, $R_G=25\Omega$, $I_{AS} = 22A$

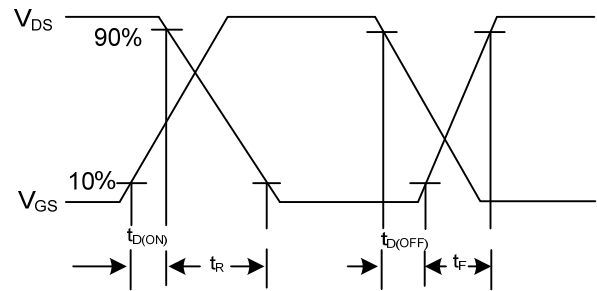
3. $I_{SD} \leq 22A$, $di/dt \leq 540A/\mu s$, $V_{DD} \leq V_{(BR)DSS}$, $T_J \leq 150^\circ\text{C}$.

4. Pulse Width $\leq 300 \mu s$, Duty Cycle $\leq 2\%$.

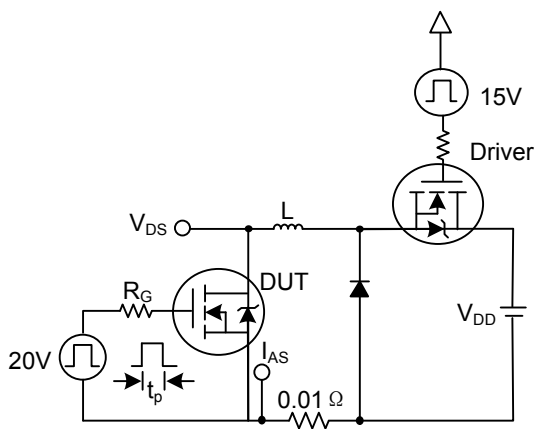
TEST CIRCUITS



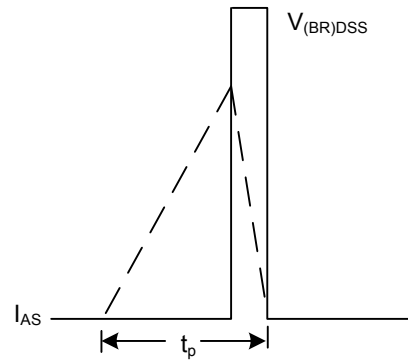
Switching Test Circuit



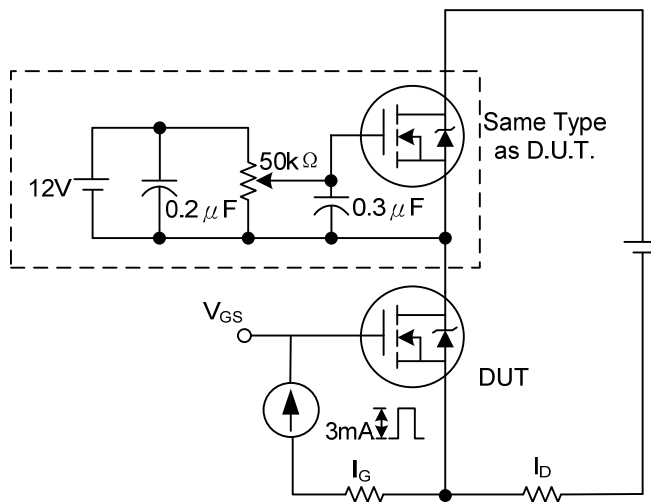
Switching Waveforms



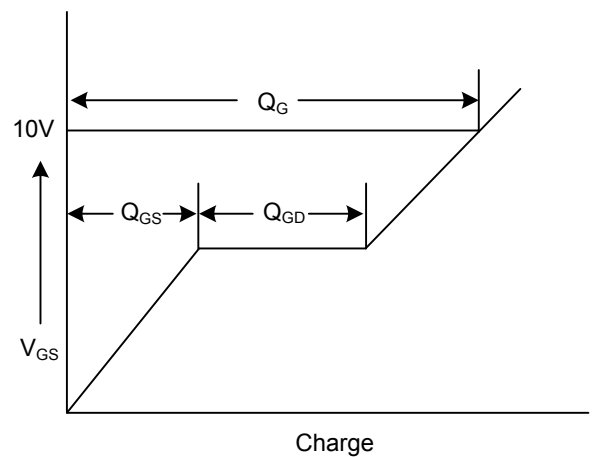
Unclamped Inductive Switching Test Circuit



Unclamped Inductive Switching Waveforms

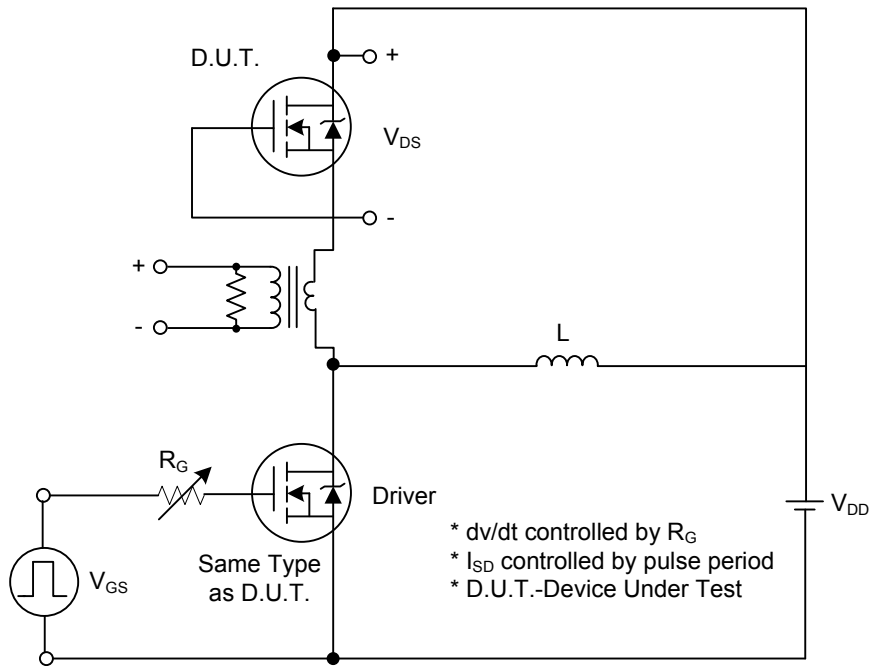


Gate Charge Test Circuit

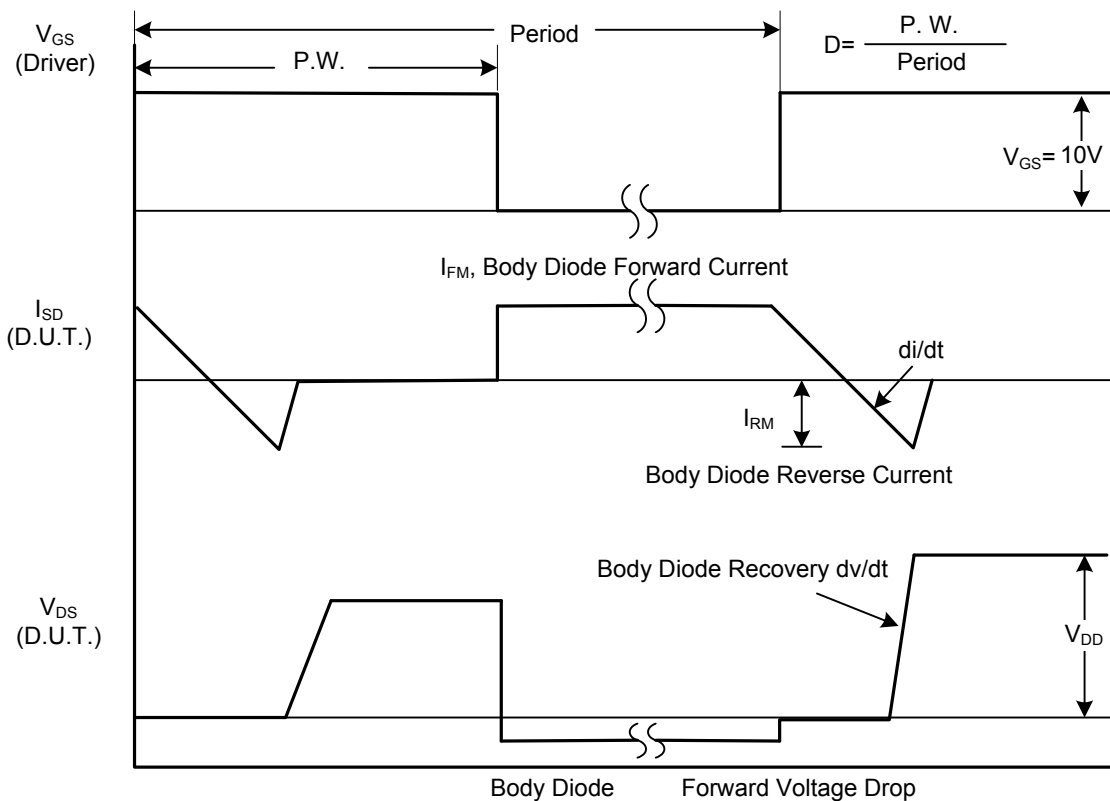


Gate Charge Waveform

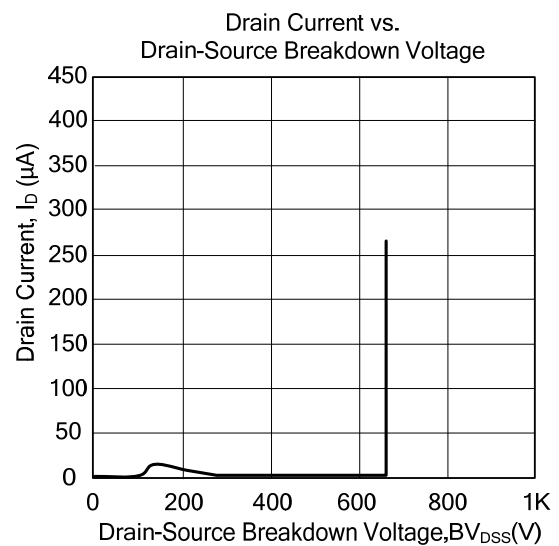
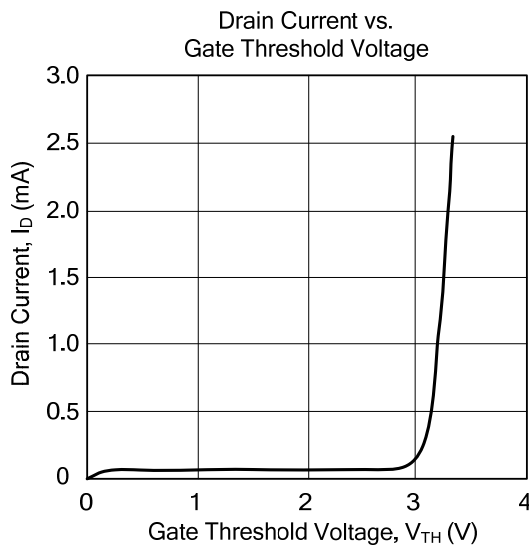
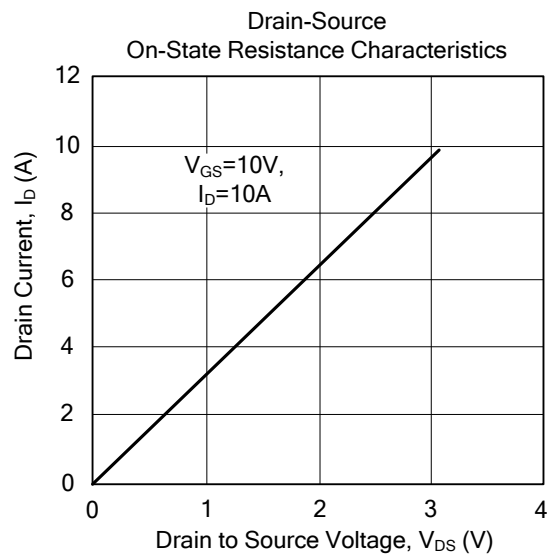
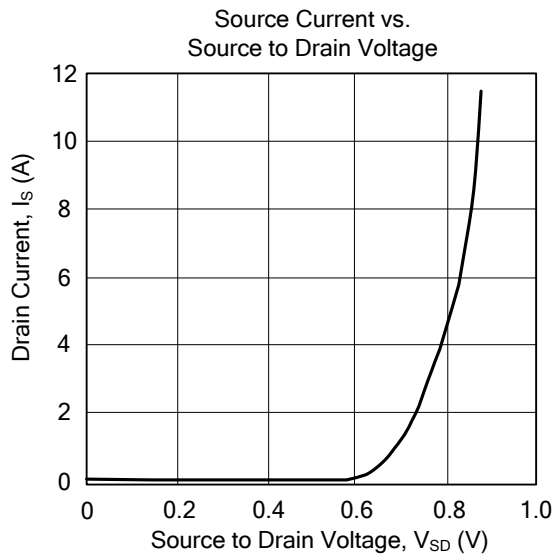
■ TEST CIRCUITS(Cont.)



Peak Diode Recovery dv/dt Test Circuit



TYPICAL CHARACTERISTICS



UTC assumes no responsibility for equipment failures that result from using products at values that exceed, even momentarily, rated values (such as maximum ratings, operating condition ranges, or other parameters) listed in products specifications of any and all UTC products described or contained herein. UTC products are not designed for use in life support appliances, devices or systems where malfunction of these products can be reasonably expected to result in personal injury. Reproduction in whole or in part is prohibited without the prior written consent of the copyright owner. The information presented in this document does not form part of any quotation or contract, is believed to be accurate and reliable and may be changed without notice.