



Micro Commercial Components



Micro Commercial Components
20736 Marilla Street Chatsworth
CA 91311
Phone: (818) 701-4933
Fax: (818) 701-4939

1SS388

Features

- High speed switching diode
Surface mount package
For general purpose switching applications
Marking: S3
Epoxy meets UL 94 V-0 flammability rating
Moisture Sensitivity Level 1

45 Volts
Switching Diode

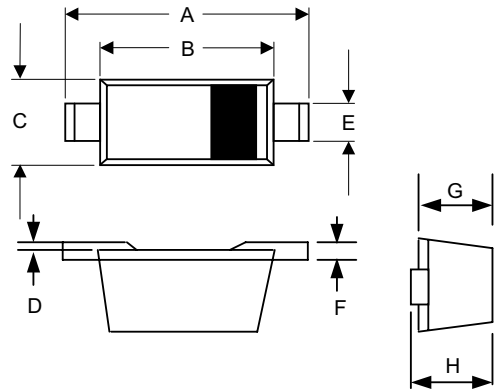
Mechanical Data

- Case: SOD-523, Molded Plastic
Terminals: Solderable per MIL-STD-202, Method 208
Polarity: Indicated by Cathode Band
Lead Free Finish/RoHS Compliant("P" Suffix
designates RoHS Compliant. See ordering information)

Maximum Ratings @ 25°C Unless Otherwise Specified

Table with 4 columns: CHARACTERISTICS, SYMBOL, RATING, UNIT. Rows include Maximum Reverse Voltage, Reverse Voltage, Average Forward Current, Peak forward surge current, Power Dissipation, Junction Temperature, Storage Temperature Range.

SOD-523



Electrical Characteristics @ 25°C Unless Otherwise Specified

Table with 6 columns: CHARACTERISTICS, SYMBOL, Typ, Max, Unit, Conditions. Rows include Forward Voltage, Reverse Current, Total Capacitance.

Table with 6 columns: DIM, INCHES (MIN, MAX), MM (MIN, MAX), NOTE. Rows include dimensions A through H.



Micro Commercial Components

Ordering Information

Device	Packing
(Part Number)-TP	Tape&Reel;3Kpcs/Reel

IMPORTANT NOTICE

Micro Commercial Components Corp. reserves the right to make changes without further notice to any product herein to make corrections, modifications , enhancements , improvements , or other changes . **Micro Commercial Components Corp .** does not assume any liability arising out of the application or use of any product described herein; neither does it convey any license under its patent rights ,nor the rights of others . The user of products in such applications shall assume all risks of such use and will agree to hold **Micro Commercial Components Corp .** and all the companies whose products are represented on our website, harmless against all damages.

LIFE SUPPORT

MCC's products are not authorized for use as critical components in life support devices or systems without the express written approval of Micro Commercial Components Corporation.

CUSTOMER AWARENESS

Counterfeiting of semiconductor parts is a growing problem in the industry. Micro Commercial Components (MCC) is taking strong measures to protect ourselves and our customers from the proliferation of counterfeit parts. MCC strongly encourages customers to purchase MCC parts either directly from MCC or from Authorized MCC Distributors who are listed by country on our web page cited below. Products customers buy either from MCC directly or from Authorized MCC Distributors are genuine parts, have full traceability, meet MCC's quality standards for handling and storage. **MCC will not provide any warranty coverage or other assistance for parts bought from Unauthorized Sources.** MCC is committed to combat this global problem and encourage our customers to do their part in stopping this practice by buying direct or from authorized distributors.

www.mccsemi.com