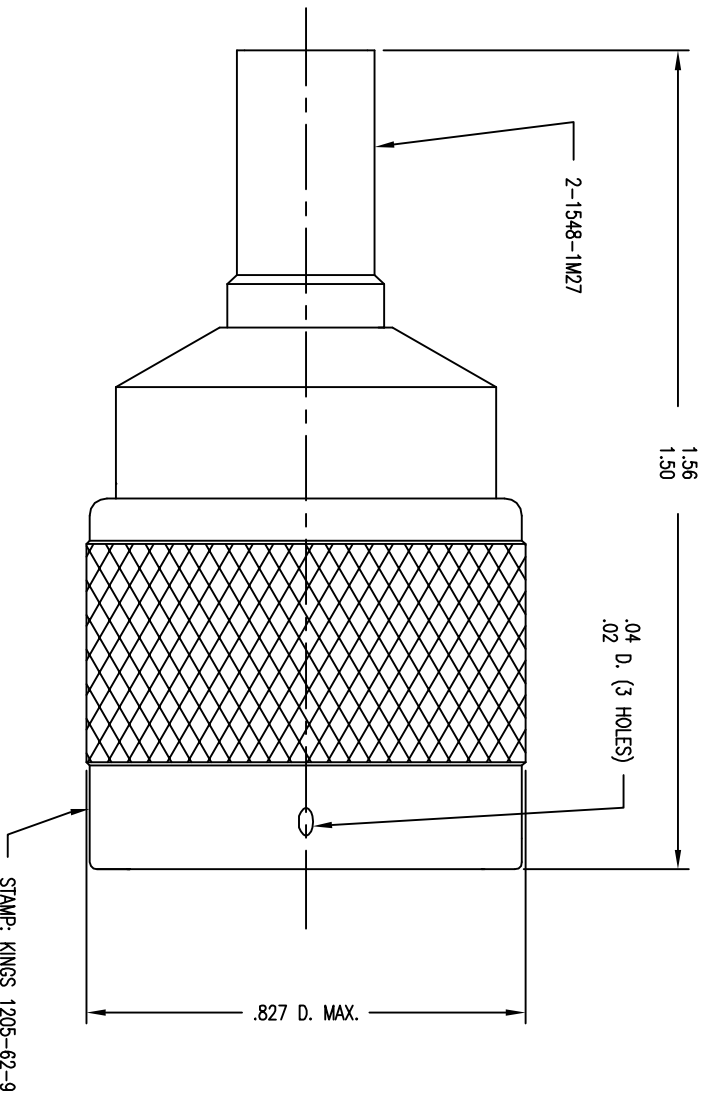


NOTES:

1. FOR USE WITH BOEING BMS13-65 OG & ADAMS RUSSELL FC20Z CABLE.
2. FOR CABLING INSTRUCTIONS SEE 3-546-2.
3. FOR CRIMPING USE DIE KTH-2231.
4. INTERFACE PER MIL-STD-348, FIG. 304-1.
5. CENTER CONTACT (1-547-52MA9) SUPPLIED UNASSEMBLED.
6. MARK PACKAGE: KINGS 1205-62-9  
XXXX (DATE CODE)
7. MATERIALS:  
INSULATOR-TEFLON, ASTM-D-1710  
OUTER CONTACT-BER. COP., ASTM-B196  
K-GRIP SLEEVE-COMMERCIAL BRONZE, ASTM-B135  
GASKET-SILICONE RUBBER, A-A-59588  
C-RING-PHOS. BRONZE, ASTM-B103  
ALL OTHER METAL PARTS-BRASS, ASTM-B16
8. FINISHES:  
CENTER CONTACTS: .000050 MIN GOLD PER ASTM B488 OVER .000050 MIN NICKEL PER AMS-QQ-N-290(RoHS)  
OUTER CONTACT: .000200 MIN SILVER PER ASTM B700 OVER .000020 MIN COPPER PER ASTM B734(RoHS)  
ALL OTHER METAL PARTS: .000050 MIN NICKEL PLATE PER AMS-QQ-N-290 OVER .000050 MIN COPPER PER ASTM B734(RoHS)
9. ELECTRICAL CHARACTERISTICS:  
NOMINAL IMPEDANCE-50 OHMS  
FREQUENCY RANGE-DC TO 11 GHz  
WORKING VOLTAGE-1000 Vrms
10. WEIGHT:37.7 GRAMS(.083 POUNDS)



1205-62-9

REVISIONS	
ISSUE	CHANGES
0	ER 35823 KH 09/21/94
B	ER 34269 COL 09/02/11

SALES DRAWING

THIS DRAWING, THE DESIGN AND IDEAS EMBODIED IN THE DEVICE TO WHICH IT RELATES, AND THE METHOD OF PRODUCING THE DEVICE, ARE THE PROPERTY OF WINCHESTER ELECTRONICS CORPORATION AND SHALL NOT BE EMPLOYED, COPIED, OR DISCLOSED TO ANYONE, IN ANY MANNER WITHOUT THE CONSENT OF WINCHESTER ELECTRONICS CORPORATION.

SCALE 4:1

APPROX SURFACE AREA

USED ON

CAGE CODE:91836

PLUG, N

DATE 03/15/94

DATE 03/16/94

**KINGS**  
by WINCHESTER

Winchester Electronics  
82 Barnes Industrial  
Road North  
Middletown, CT 06442

SIZE B

1205-62-9