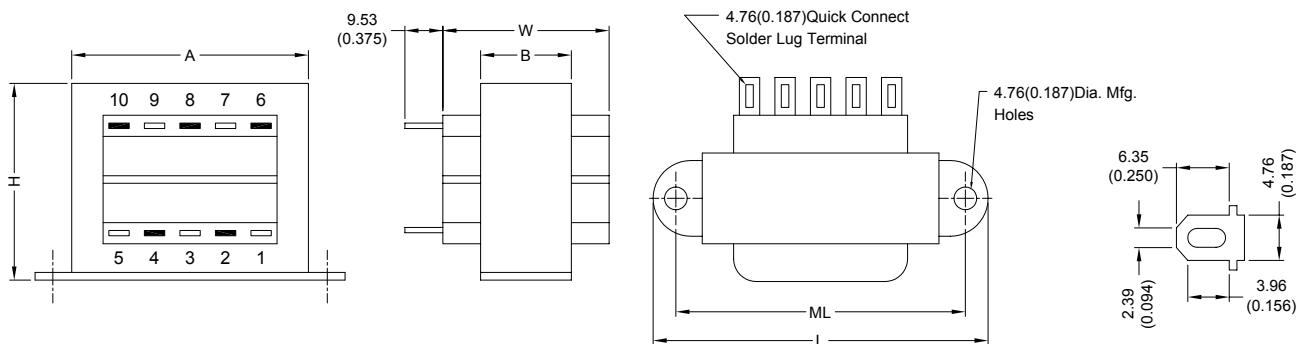


POWER TRANSFORMER

CS6-6 (F) SERIES

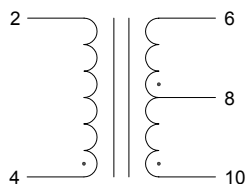
1. CONFIGURATION & DIMENSIONS :



UNIT : mm (inch)

SIZE	VA	L	W	H	A	B	ML	gram
6	30	82.55 (3.250)	42.88 (1.688)	49.23 (1.938)	74.63 (2.938)	27.00 (1.063)	71.45 (2.813)	498.95

2. SCHEMATIC :



" . " indicates polarity

3. ELECTRICAL CHARACTERISTICS (@ 25°C) :

- | | |
|--------------------------------------|------------------------------|
| a. Primary Voltage | AC 115 V 60 Hz . |
| b. No Load Primary Current | Less Than 35mA . |
| c. Secondary Voltage (±5%) | |
| Pin 6-10 C.T. Pin 8 | AC 7.2 V . |
| d. Secondary Load Current | 5.00A . |
| e. Full Load Primary Current | Less Than 340mA . |
| f. Full Load Secondary Voltage (±5%) | 6.00V . |
| Pin 6-10 C.T. Pin 8 | |
| g. DC Resistance | |
| Pin 2-4 | Primary = 22.50 Ohm . |
| Pin 6-8 | Secondary-1 = - Ohm . |
| Pin 8-10 | Secondary-2 = - Ohm . |
| h. Insulation Resistance | DC 500V 100Meg Ohm Of More . |
| i. Withstand Voltage (Hi-Pot) | AC 2500V 60Hz 1 Minutes . |
| j. Temperature Rise | Less Than 60 Deg C . |
| k. Core Size | EI-57 x 26.00 m/m . |

l. Turns & Wire Gauge

Primary Pin 2-4
Secondary Pin 6-8-10

684 Turns Diameter: 0.28 mm
0-22-44 Turns Diameter: 1.10 mm



RoHS Compliant

NOTE : Specifications subject to change without notice. Please check our website for latest information.

25.02.2008



SUPERWORLD ELECTRONICS (S) PTE LTD

PG. 1