

RJ-45 10/100 BASE-TX Jack with Magnetic Module



N51XX Series



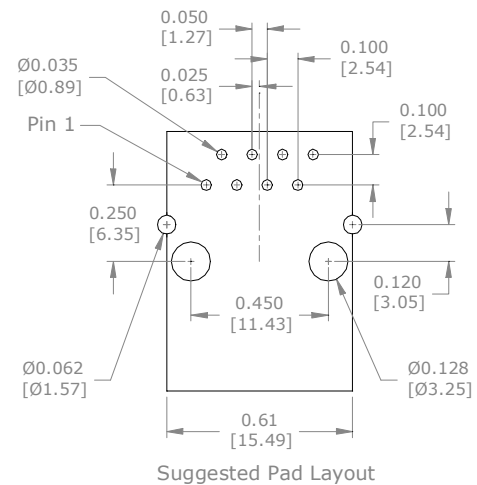
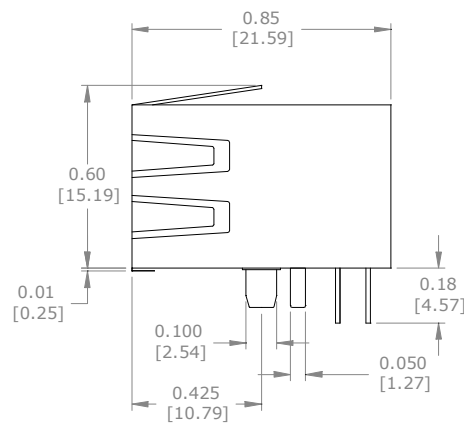
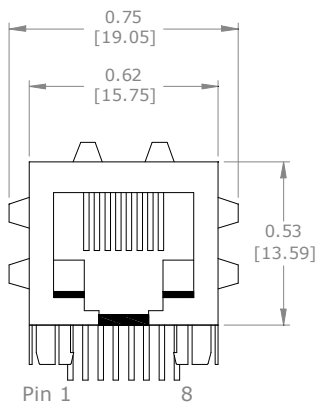
- Single port shielded RJ-45 connector with 10/100 Magnetics
- Operating temperature: 0°C to 70°C
- Storage temperature: -40°C to 85°C
- Available for all 10/100 transceiver Phy chips
- Complies with IEEE standards and all 10/100 Ethernet specifications including 350μH with 8mA DC Bias
- 1500Vrms Isolation

ELECTRICAL SPECIFICATION @ 25°C

| Part Number | Insertion Loss (dB max.) | Return Loss (dB min.) | | | Common to Common Mode Rejection (dB min.) | Common to Differential Mode Rejection (dB min.) | Crosstalk (dB min.) |
|-------------|-----------------------------|--------------------------|-------------------|--------------|---|---|------------------------|
| | | 1-30 MHz | 30-60 MHz | 60-80 MHz | | | |
| | 0.3-100 MHz | | | | 0.1-100 MHz | 0.1-100 MHz | 0.5-100 MHz |
| N5110 | -1 | -18 | 18-20Log(f/30MHz) | -12 | -35 | -40 | -35 |
| N5120 | -1 | -18 | 18-20Log(f/30MHz) | -12 | -35 | -40 | -35 |
| N5130 | -1 | -18 | 18-20Log(f/30MHz) | -12 | -35 | -40 | -35 |

- **Note:** 1) Contact: 30 micro inch selective gold plating
2) Plastic Housing: Glass filled polyester UL94V-0
3) Pins: Phosphor bronze t=0.35mm
4) Operating Life: 750 cycles min.
5) PCB retention pre-solder: 1 Lb min.
6) PCB retention post-solder: 10 Lbs min.
- Other versions available with alternate pin-out configurations. Contact MPS Engineering Team.

Mechanical



Dimensions

Unless otherwise specified, all tolerances are:
.XX ± 0.010" & .XXX ± 0.003"
Inches
[mm]

N3XXS-A
0443TA

Product performance is limited to specified parameter. Data is subject to change without prior notice.

2463 208th, Ste. 205
Torrance, CA 90501

Phone: (310)533-1455
Fax: (310)533-1853

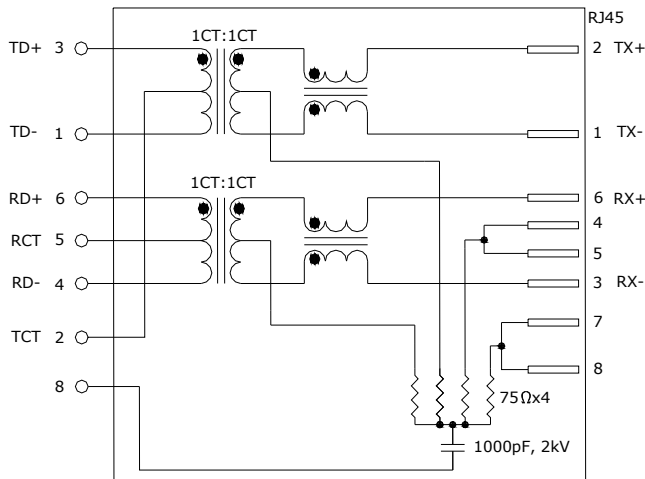
<http://www.mpsind.com>
Email: sales@mpsind.com

RJ-45 10/100 BASE-TX Jack with Magnetic Module

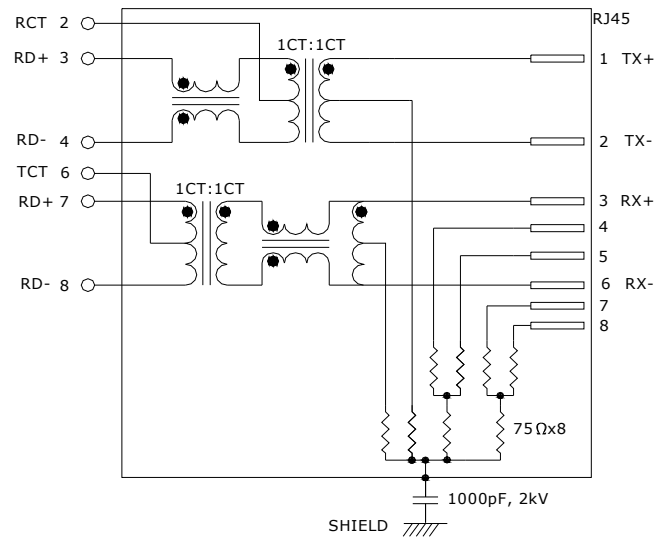


Schematics:

N5110



N5120



N5130

