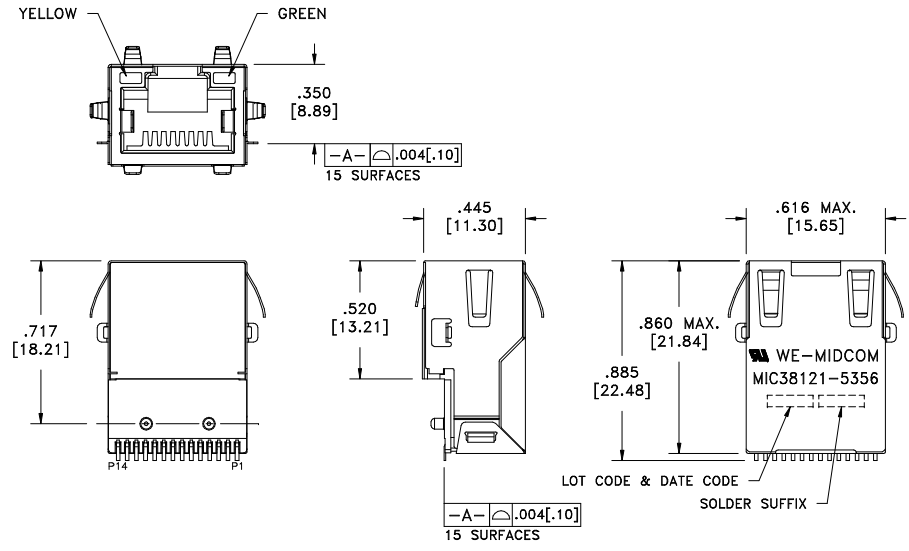


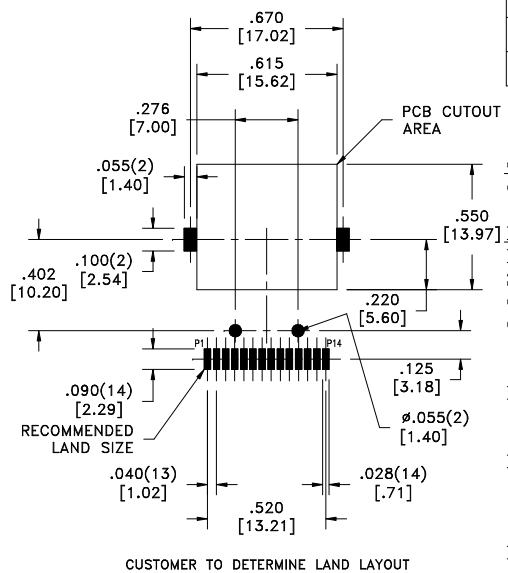
SOLDER SUFFIX	CUSTOMER TERMINAL	RoHS	LEAD(Pb)-FREE
LF3	Sn100%	Yes	No

more than you expect



ELECTRICAL SPECIFICATIONS @ 25°C unless otherwise noted:

PARAMETER	TEST CONDITIONS	VALUE
INDUCTANCE	J1-J2 100kHz, 100mV, 8mADC, Lp.	350uH min.
INDUCTANCE	J3-J6 100kHz, 100mV, 8mADC, Lp.	350uH min.
INDUCTANCE	J4-J5 100kHz, 100mV, 8mADC, Lp.	350uH min.
INDUCTANCE	J7-J8 100kHz, 100mV, 8mADC, Lp.	350uH min.
DIELECTRIC	PRI-SEC	2250VDC, 1 minute
URNS RATIO	Per Schematic	-
INSERTION LOSS	1MHz - 100MHz	-1.0dB max.
RETURN LOSS	1M - 30MHz	-18dB min.
RETURN LOSS	30M - 60MHz	-15dB min.
RETURN LOSS	60M - 80MHz	-12dB min.
RETURN LOSS	80M - 100MHz	-10dB min.
CROSSTALK	1MHz - 30MHz	-37dB min.
CROSSTALK	30MHz - 60MHz	-32dB min.
CROSSTALK	60MHz - 100MHz	-27dB min.
CMRR	1MHz - 50MHz	-30dB min.
CMRR	50MHz - 130MHz	-20dB min.



GENERAL SPECIFICATIONS:

OPERATING TEMPERATURE RANGE: 0°C to +70°C.

MATERIAL AND FINISH:

Housing: Thermoplastic LCP Black per UL94 V-0
 Shield: Brass with semi-bright nickel plating
 Contact: Phosphor Bronze, base material
 Contact Plating: 100% tin plating with nickel underplating, 30u" gold plating on contact area

LED (Yellow): Frwd Voltage typ.: 2.1V
 Drive Current: 20mA
 Wave Length: 589nm typ.
 LED (Green): Frwd Voltage typ.: 2.2V
 Drive Current: 20mA
 Wave Length: 565nm typ.

RJ45 Jack cavity conforms to FCC rules and regulations Part 68.

Midcom p/n MIC38121-5356W-LF3 is eiSos p/n: 7498111120.

Midcom p/n MIC38121-5356R-LF3 is eiSos p/n: 7498111120R.

6D
 FOR MIC38121-5356R-LF3
 Method: Tape & Reel
 PKG-0638
 www.we-online.com/midcom
 FOR MIC38121-5356W-LF3
 Method: Tray
 PKG-0586
 www.we-online.com/midcom

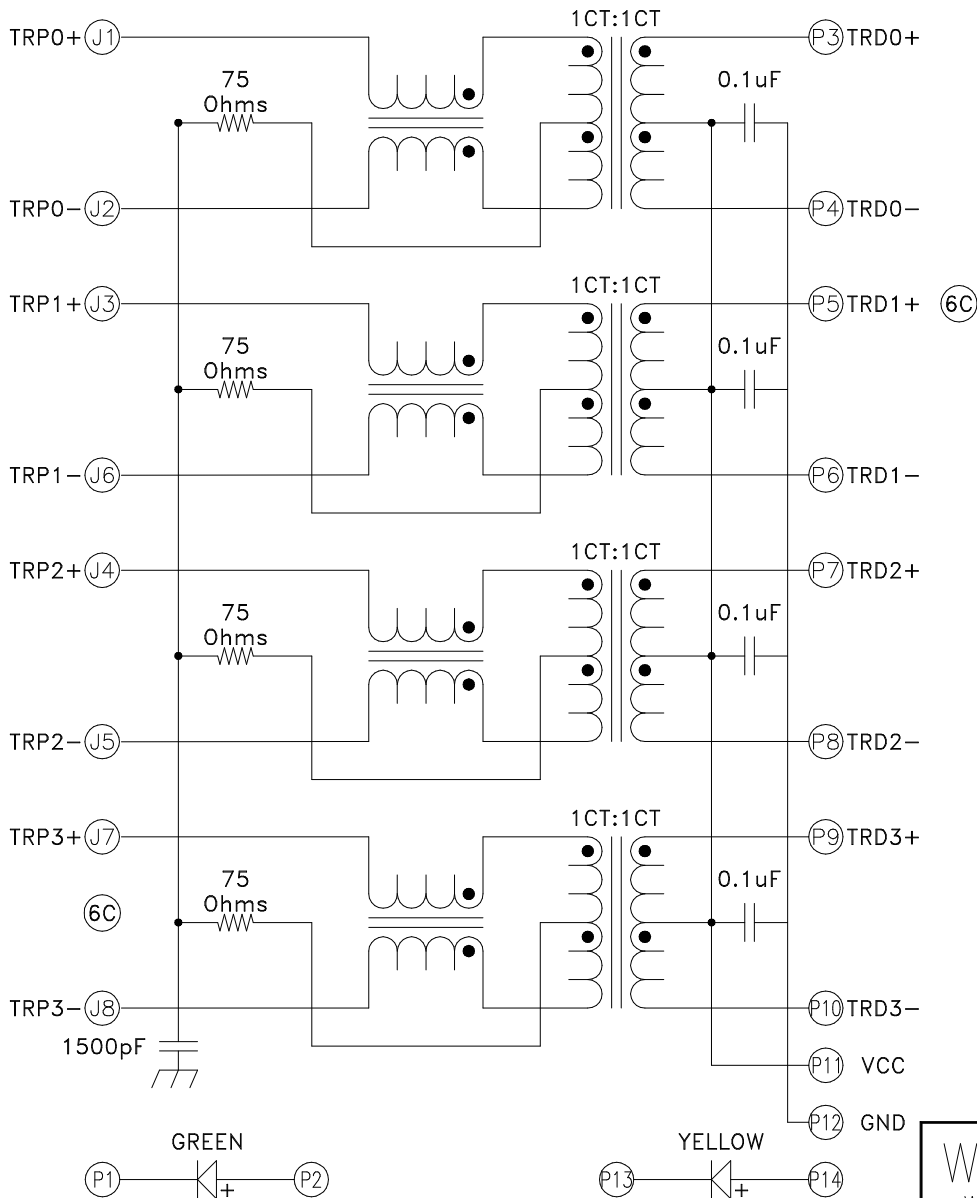
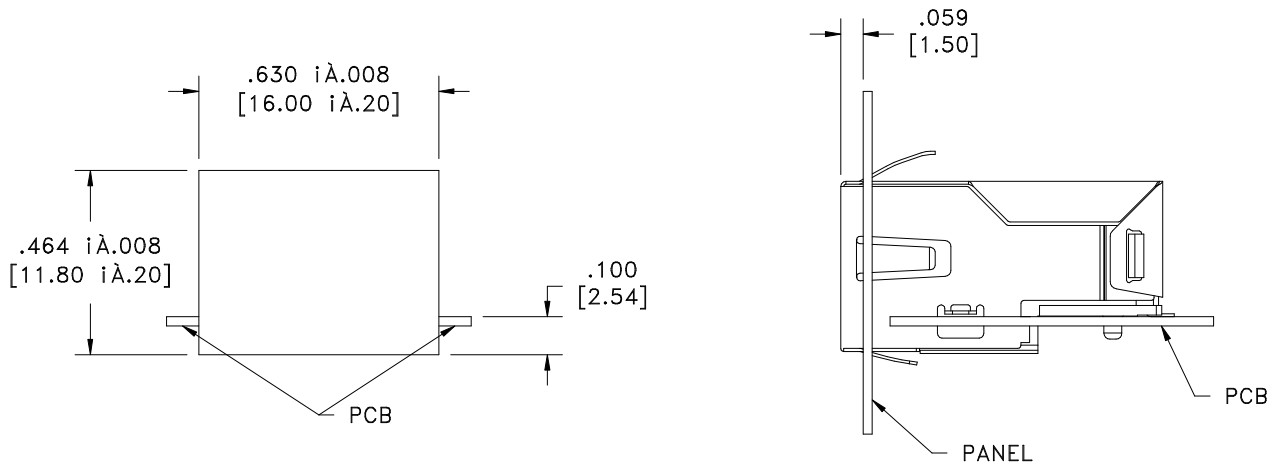
REV.	DATE	Packaging Specifications
6D	12/11	Method: SEE ABOVE
6C	6/11	
6B	11/10	www.we-online.com/midcom
6A	8/10	SEE REVISION SHEET FOR REVISION LEVEL

 CONVENTION PLACEMENT	Tolerances unless otherwise specified: Angles: ±1° Decimals: ±.010 [.25] Fractions: ±1/64 Footprint: ±.003 [.08]
	This drawing is dual dimensioned. Dimensions in brackets are in millimeters.

DRAWING TITLE TRANSFORMER eiSos p/n:

PART NO. MIC38121-5356X-LF3	AGENCY NUMBER UL60950-1 E205930
SPECIFICATION SHEET 1 OF 2	

RECOMMENDED PANEL CUTOUT



6D

WE-MIDCOM, INC. www.we-online.com/midcom		PART # MIC38121-5356X-LF3
PART NO.	6D	REV.
MIC38121-5356X-LF3		6D
SPECIFICATION SHEET 2 OF 2		