

TAI-SAW TECHNOLOGY CO., LTD.

No. 3, Industrial 2nd Rd., Ping-Chen Industrial District,
Taoyuan, 324, Taiwan, R.O.C.

TEL: 886-3-4690038 FAX: 886-3-4697532

E-mail: tstsales@mail.taisaw.com Web: www.taisaw.com

Product Specifications Approval Sheet

Product Description: SAW Filter 702 MHz SMD 3.0x3.0 mm

TST Part No.: TA1049A

Customer Part No.: _____

Customer signature required
Company: _____
Division: _____
Approved by : _____
Date: _____

Checked by: _____ David Chang 張閔智

Approved by: _____ Francis Chen (FEB) >

Date: _____ 2009/11/05

1. Customer signed back is required before TST can proceed with sample build and receive orders.
2. Orders received without customer signed back will be regarded as agreement on the specifications.
3. Any specifications changes must be approved upon by both parties and a new revision of specifications shall be released to reflect the changes.



TAI-SAW TECHNOLOGY CO., LTD.

No. 3, Industrial 2nd Rd., Ping-Chen Industrial District,
Taoyuan, 324, Taiwan, R.O.C.

TEL: 886-3-4690038 FAX: 886-3-4697532

E-mail: tstsales@mail.taisaw.com Web: www.taisaw.com

SAW Filter 702 MHz

MODEL NO.:TA1049A

REV. NO.:2

A. MAXIMUM RATING:

1. Input Power Level: 10 dBm
2. DC Voltage : 3V
3. Operating Temperature: 0°C to +50°C
4. Storage Temperature: -30°C to +85°C

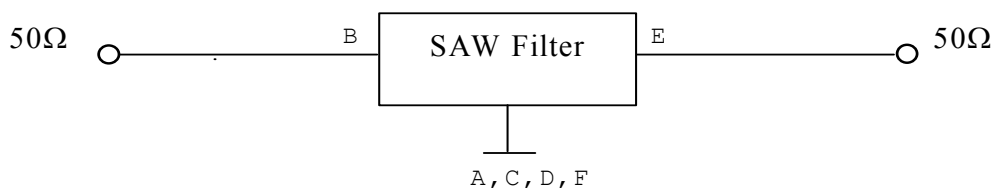
RoHS Compliant
Lead free
Lead-free soldering

B. ELECTRICAL CHARACTERISTICS:

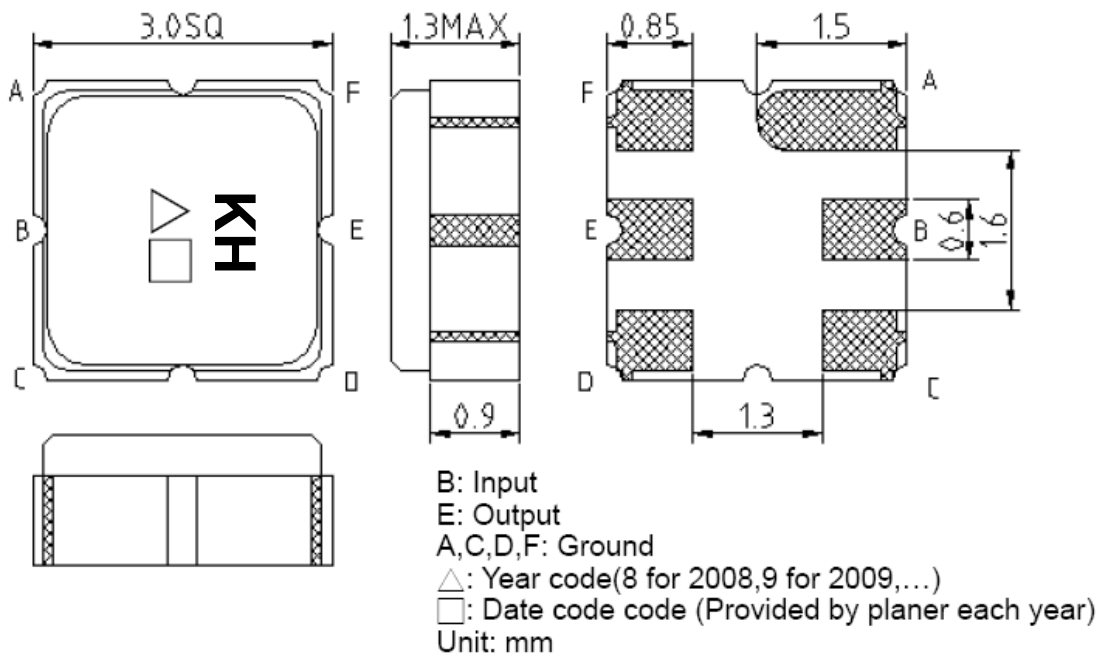
Item	Unit	Min.	Type.	Max.
Center Frequency F_c	MHz	-	702	-
Insertion Loss at Center Frequency IL_c	dB	-	1.6	2.2
Insertion Loss (692 ~ 712 MHz)	dB	-	2.2	4
Amplitude Ripple (692 ~ 712 MHz)	dB	-	0.6	2
Bandwidth @ -2 dB	MHz	20	30	-
VSWR at Center Frequency	-	-	1.4	2
Attenuation (Reference level from 0 dB)				
DC ~ 608 MHz	dB	50	63	-
608 ~ 614 MHz	dB	30	65	-
790 ~ 796 MHz	dB	30	72	-
1310 ~ 1498 MHz	dB	40	55	-
2012 ~ 2200 MHz	dB	35	39	-

C. MEASUREMENT CIRCUIT:

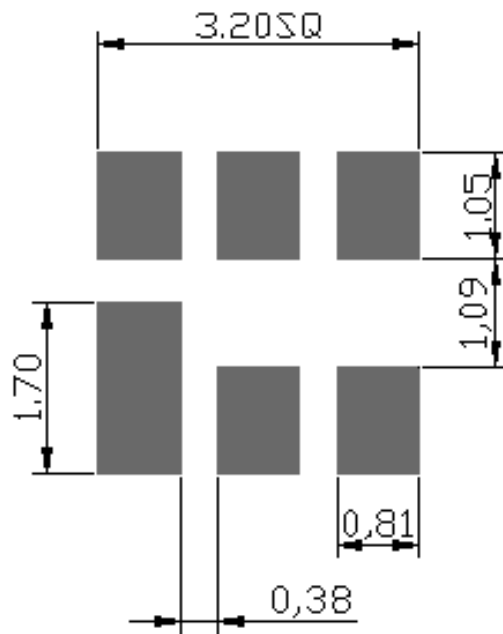
HP Network analyzer



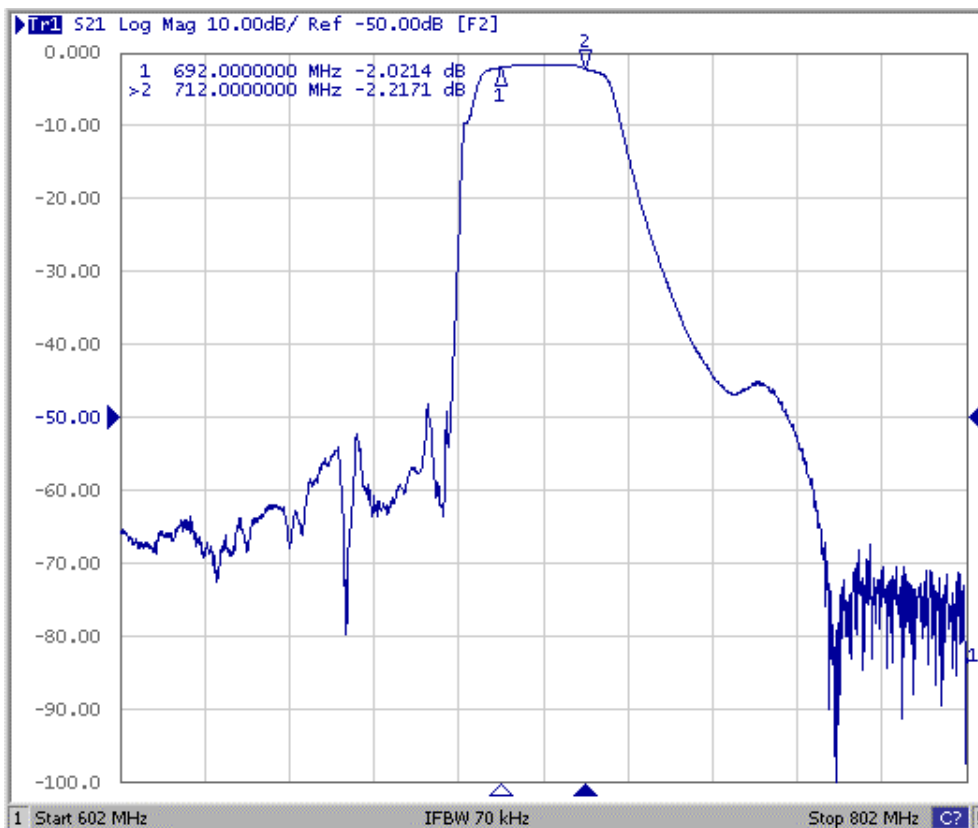
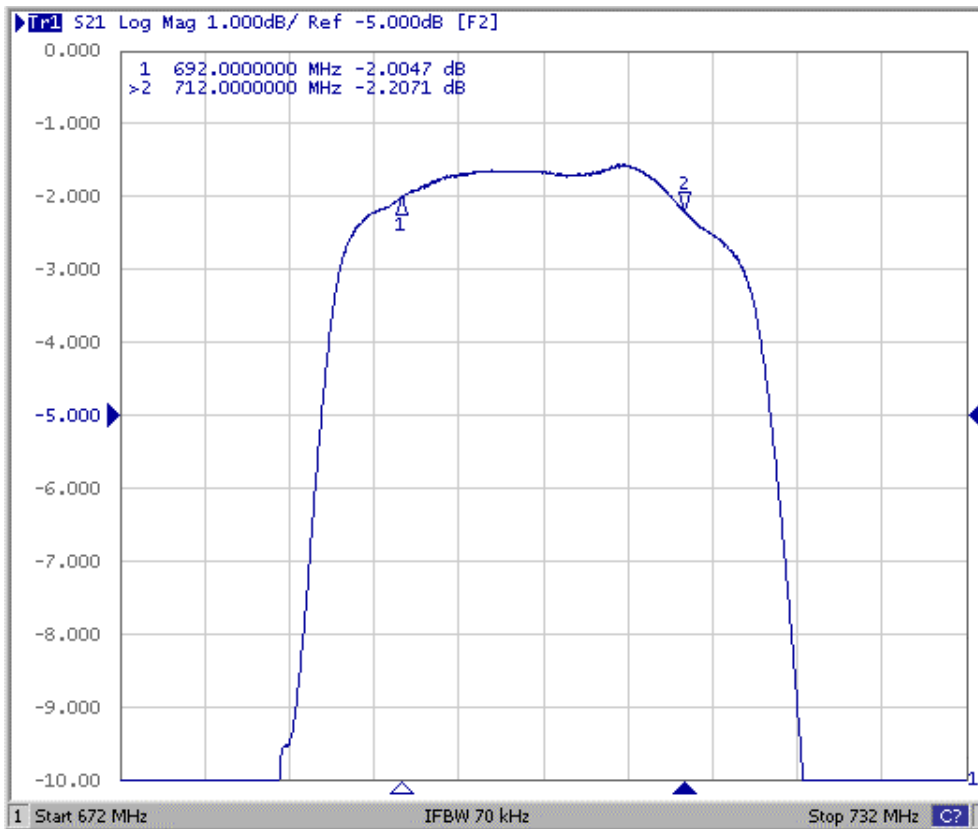
D.OUTLINE DRAWING:

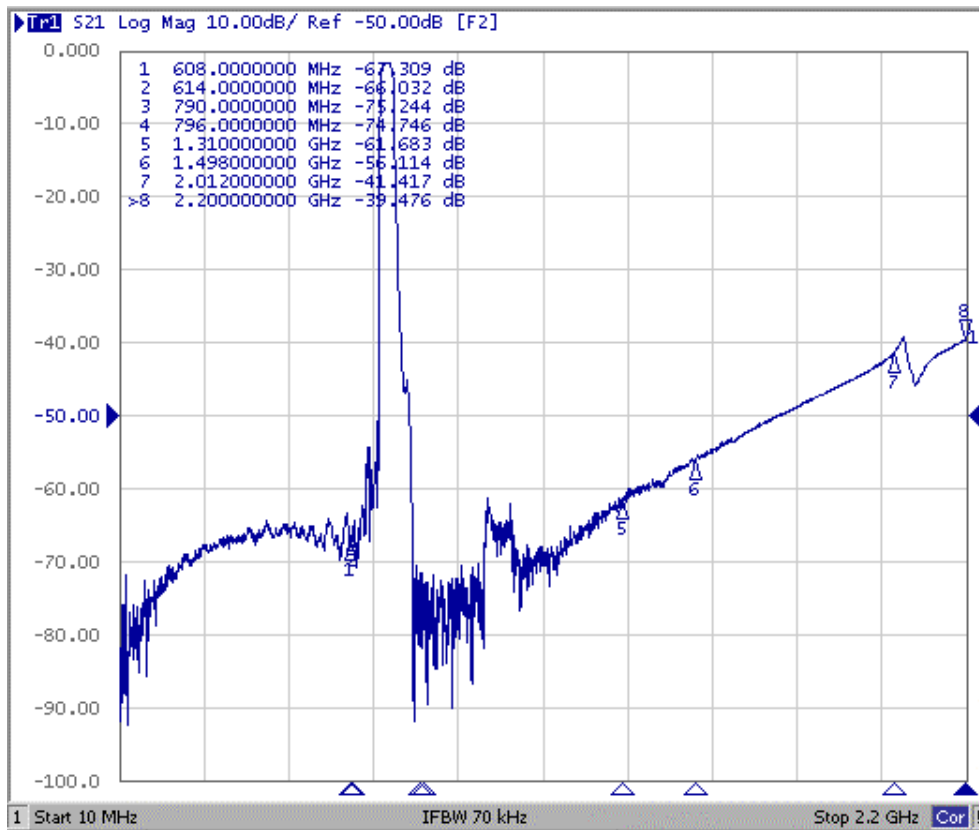


E. PCB Footprint:



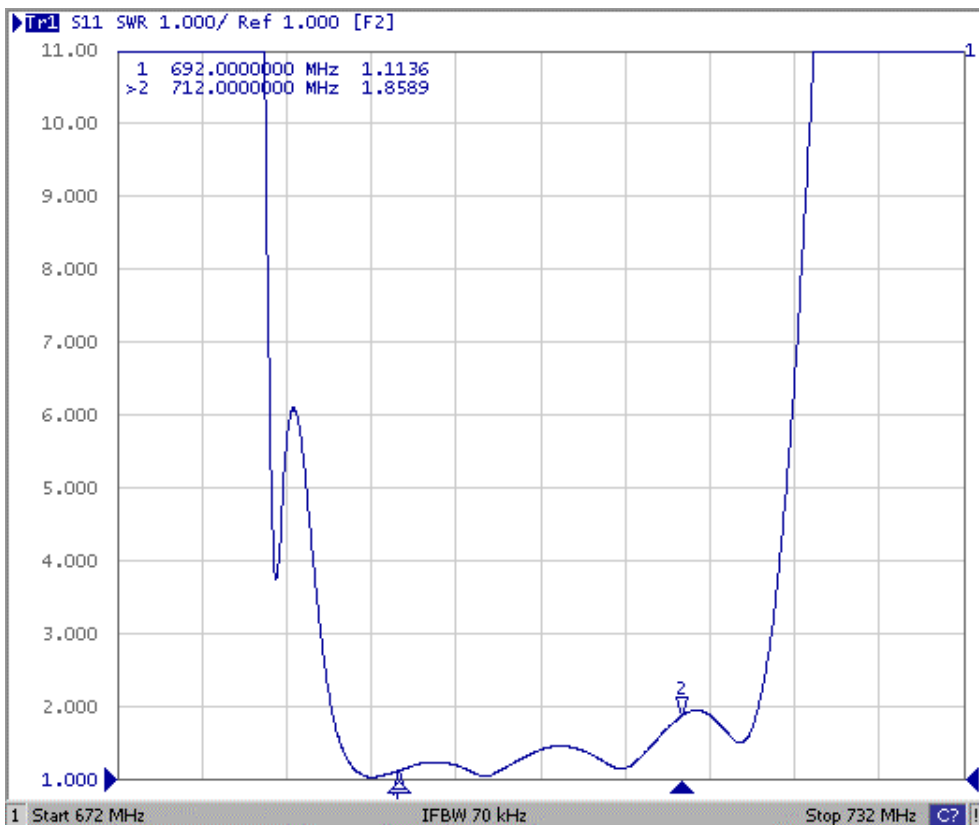
F. Frequency Characteristics :



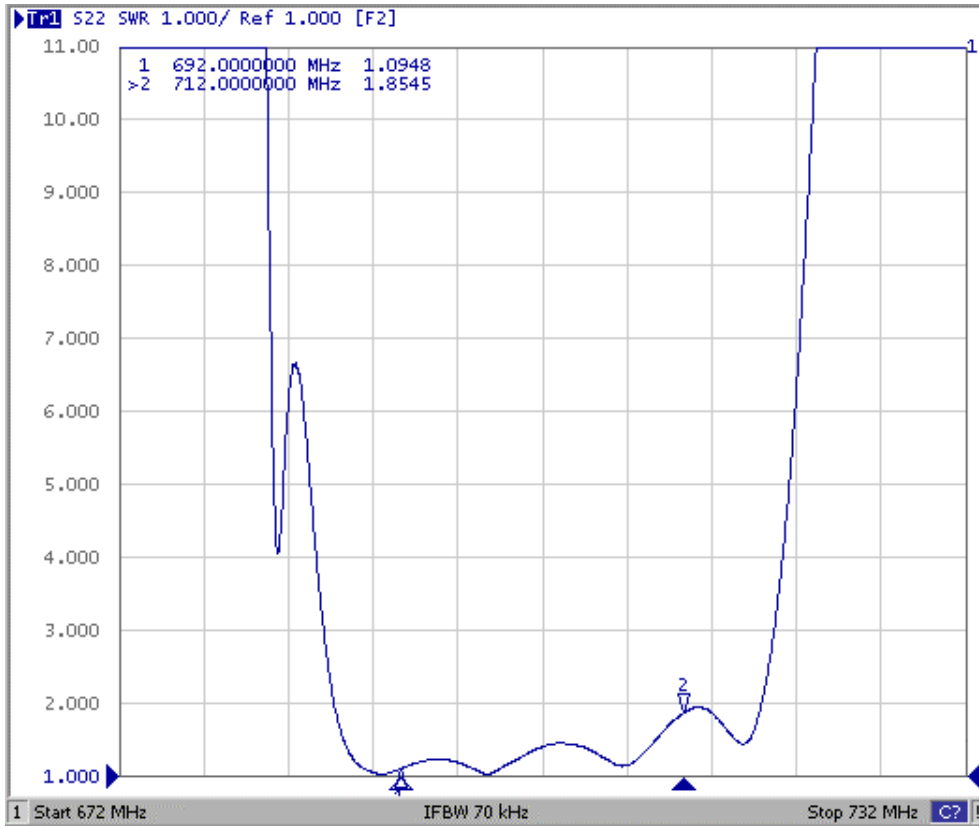


Reflection Functions :

S11

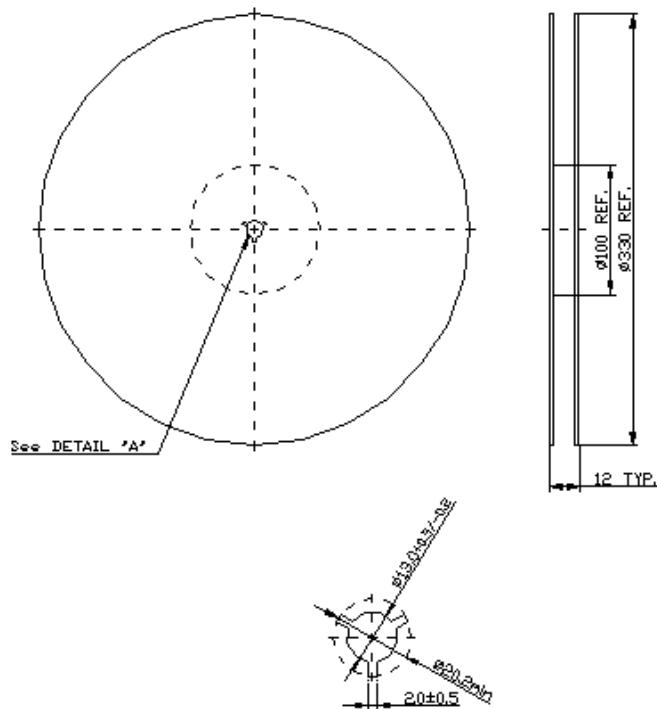


S22

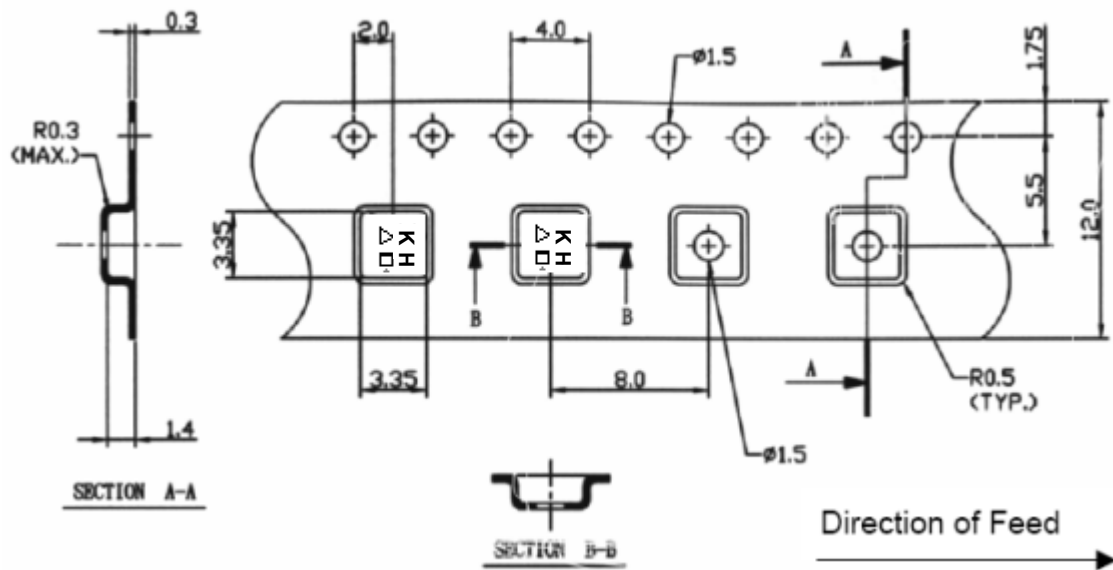


G. PACKING:

1. REEL DIMENSION



3. TAPE DIMENSION



H.RECOMMENDED REFLOW PROFILE:

