

PLEASE CHECK WWW.MOLEX.COM FOR LATEST PART INFORMATION

Part Number: [0524181690](#)
Status: **Active**
Description: 2.00mm (.079") Pitch Board-to-Board Receptacle, Right Angle, Single Row, Friction Lock, 16 Circuits, Tube Package

Documents:

| | |
|--|--|
| 3D Model | Product Specification PS-52418-003 (PDF) |
| Drawing (PDF) | RoHS Certificate of Compliance (PDF) |
| Product Specification PS-52418-002 (PDF) | |

General

| | |
|----------------|-----------------------|
| Product Family | PCB Receptacles |
| Series | 52418 |
| Application | Board-to-Board |
| Product Name | N/A |

Physical

| | |
|--------------------------------|---------------------------|
| Circuits (Loaded) | 16 |
| Color - Resin | Natural |
| Durability (mating cycles max) | 30 |
| Glow-Wire Compliant | No |
| Lock to Mating Part | Yes |
| Material - Metal | Phosphor Bronze |
| Material - Plating Mating | Tin |
| Material - Plating Termination | Tin |
| Material - Resin | Polyester |
| Number of Rows | 1 |
| Orientation | Right Angle |
| PCB Locator | No |
| PCB Retention | Yes |
| PCB Thickness Recommended (in) | 0.062 In |
| PCB Thickness Recommended (mm) | 1.60 mm |
| Packaging Type | Tube |
| Pitch - Mating Interface (in) | 0.079 In |
| Pitch - Mating Interface (mm) | 2.00 mm |
| Plating min: Mating (µin) | 36 |
| Plating min: Mating (µm) | 0.90 |
| Plating min: Termination (µin) | 36 |
| Plating min: Termination (µm) | 0.90 |
| Polarized to PCB | No |
| Surface Mount Compatible (SMC) | No |
| Temperature Range - Operating | -40°C to +105°C |
| Termination Interface: Style | Through Hole - Kinked Pin |

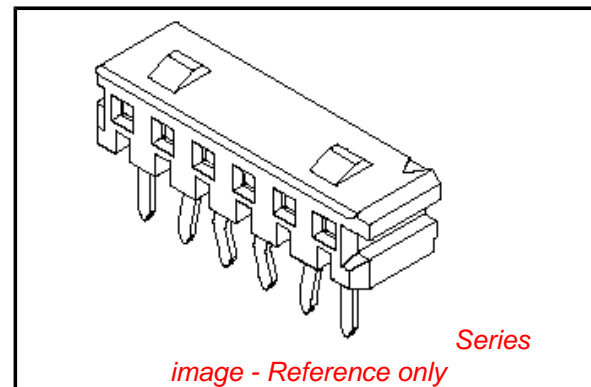
Electrical

| | |
|-------------------------------|------|
| Current - Maximum per Contact | 1.5A |
| Voltage - Maximum | 125V |

Material Info

Reference - Drawing Numbers

| | |
|-----------------------|--|
| Product Specification | PS-52418-002, PS-52418-003, RPS-52418-001, RPS-52418-004 |
| Sales Drawing | SD-52418-**90 |



EU RoHS

ELV and RoHS Compliant
REACH SVHC Contains SVHC: No
Halogen-Free Status
Not Reviewed

China RoHS



Need more information on product environmental compliance?

Email productcompliance@molex.com
 For a multiple part number RoHS Certificate of Compliance, [click here](#)

Please visit the [Contact Us](#) section for any non-product compliance questions.

Search Parts in this Series

[52418Series](#)

Mates With

[53290](#)

This document was generated on 04/16/2010

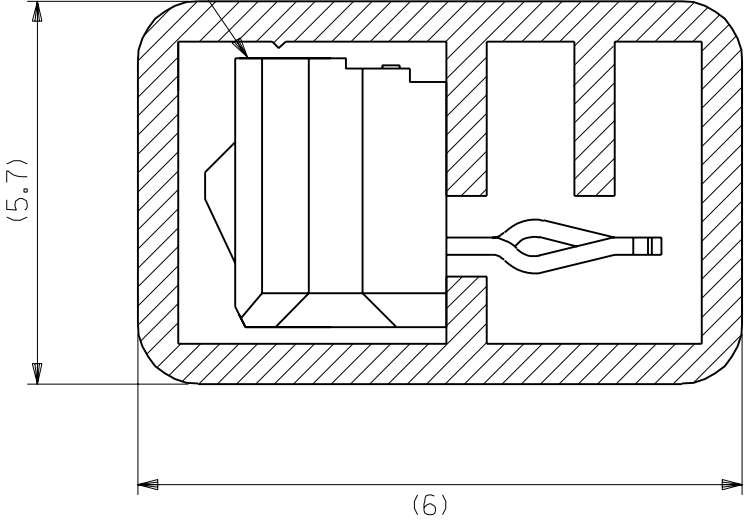
PLEASE CHECK WWW.MOLEX.COM FOR LATEST PART INFORMATION

ENG. NO
SD-52418-**-90

EDP NO.

MM : DIMENSIONS IN METRIC DO NOT SCALE DRAWING

REV



52418-**-10

スティック
STICK

| | | |
|-----------------|------------|------------|
| 13 | 52418-2090 | 20 |
| 14 | - 1990 | 19 |
| 15 | - 1890 | 18 |
| 15 | - 1790 | 17 |
| 16 | - 1690 | 16 |
| 17 | - 1590 | 15 |
| 19 | - 1490 | 14 |
| 20 | - 1390 | 13 |
| 22 | - 1290 | 12 |
| 24 | - 1190 | 11 |
| 26 | - 1090 | 10 |
| 28 | - 0990 | 9 |
| 32 | - 0890 | 8 |
| 36 | - 0790 | 7 |
| 41 | - 0690 | 6 |
| 49 | - 0590 | 5 |
| 59 | - 0490 | 4 |
| 75 | 52418-0390 | 3 |
| 梱包数 QUANTITY | ENG.NO. | 極数 CKT. |

注 記 NOTES

1. スティック両端はキャップ止め。
BOTH ENDS WITH CAPS.
2. 全長 : 600⁺²
LENGTH: 600⁺²
3. 肉厚 : 0.6
THICKNESS: 0.6

| | | |
|------|--------------------|----------|
| 角度 | ANGLE | ±3° |
| 以上 | OVER | ±0.3 |
| 10以上 | OVER | 未満 ±0.25 |
| 10以下 | UNDER | ±0.2 |
| 一般公差 | GENERAL TOLERANCES | |

| | | | |
|-------------------------|--------------------------------|------------------|-------------|
| 材料 MATERIAL | スティック : ポリ塩化ビニル STICK : PVC | | |
| 仕上げ FINISH | — # — | | |
| 適用電線範囲 WIRE RANGE | — # — | | |
| 被覆外径 INS. RANGE | — # — | | |
| DRAWN BY | '90/7/11 | CHK'D BY | '93/9/23 |
| S.AIHARA | | T.ITO | |
| APP'D BY | '93/9/23 | 尺 M.FUKUSHIMA | SCALE — # — |
| 日付 DATE | DR | CHK. | DATE |
| 変更内容 REVISION RECORD | | | |
| 変更 REVISED | (J30969) | T.I | '93/9/23 |
| 新規作成 RELEASED | (J00558) | S.A | |

| | |
|---|-----------------|
| MOLEX-JAPAN CO.,LTD. moLEX 日本モレックス株式会社 | |
| EDP. NO. | |
| ENG. NO. | SD-52418-**-90 |
| REV | A |
| TITLE 名称: | STICK PACKAGING |
| | FOR 52418-**-10 |

REVISION ONLY ON CAD SYSTEM

THIS DRAWING CONTAINS INFORMATION THAT IS PROPRIETARY TO MOLEX(JAPAN) AND SHOULD NOT BE USED WITHOUT WRITTEN PERMISSION
本図面は日本モレックス(株)の所有する情報を含むもので 当社の許可なく複製を禁止する。

524185/505