

**PLEASE CHECK WWW.MOLEX.COM FOR LATEST PART INFORMATION**

**Part Number:** [0878331260](#)  
**Status:** **Active**  
**Overview:** milligrid  
**Description:** 2.00mm (.079") Pitch Milli-Grid™ Header, Right Angle, Shrouded, Lead-free, 12 Circuits, 0.38µm (15µ") Gold(Au) Plating, without PCB Locator, with Locking Window, Center Polarization Slot, Kinked Solder Tails, Tube

**Documents:**

[3D Model](#) [Product Specification PS-87831-027 \(PDF\)](#)  
[Drawing \(PDF\)](#) [RoHS Certificate of Compliance \(PDF\)](#)

**Agency Certification**

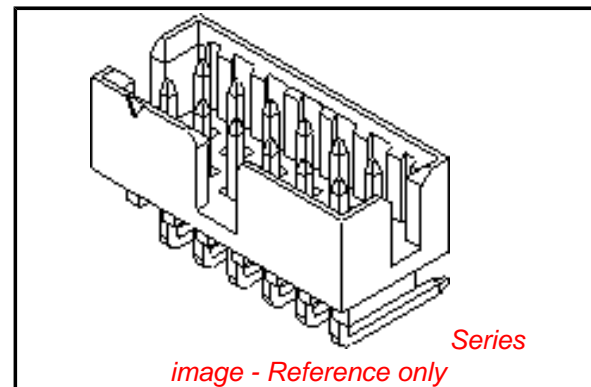
CSA LR19980  
 UL E29179

**General**

Product Family PCB Headers  
 Series [87833](#)  
 Application Wire-to-Board  
 Comments <LI>Contact Molex for application in automotive industry<LI>Kinked Circuits Position: 1, 2, 11, 12  
 Overview [milligrid](#)  
 Product Name Milli-Grid™

**Physical**

Breakaway No  
 Circuits (Loaded) 12  
 Circuits (maximum) 12  
 Color - Resin Black  
 Durability (mating cycles max) 100  
 First Mate / Last Break No  
 Flammability 94V-0  
 Glow-Wire Compliant No  
 Guide to Mating Part No  
 Keying to Mating Part None  
 Lock to Mating Part Yes  
 Material - Metal Phosphor Bronze  
 Material - Plating Mating Gold  
 Material - Plating Termination Tin  
 Material - Resin Nylon  
 Number of Rows 2  
 Orientation Right Angle  
 PC Tail Length (in) 0.138 In  
 PC Tail Length (mm) 3.50 mm  
 PCB Locator No  
 PCB Retention Yes  
 PCB Thickness Recommended (in) 0.062 In  
 PCB Thickness Recommended (mm) 1.60 mm  
 Packaging Type Tube  
 Pitch - Mating Interface (in) 0.079 In  
 Pitch - Mating Interface (mm) 2.00 mm  
 Pitch - Term. Interface (in) 0.079 In  
 Pitch - Term. Interface (mm) 2.00 mm  
 Plating min: Mating (µin) 15  
 Plating min: Mating (µm) 0.38  
 Plating min: Termination (µin) 75



**EU RoHS**

**ELV and RoHS Compliant**  
**REACH SVHC Contains SVHC: No**  
**Halogen-Free Status**

**China RoHS**



**Not Halogen-Free**  
**Need more information on product environmental compliance?**

Email [productcompliance@molex.com](mailto:productcompliance@molex.com)  
 For a multiple part number RoHS Certificate of Compliance, [click here](#)

Please visit the [Contact Us](#) section for any non-product compliance questions.

**Search Parts in this Series**

[87833Series](#)

**Mates With**

[50394](#) Wire-to-Board Terminals. [51110](#) Wire-to-Board Crimp Housing. [87568](#) Wire-to-Board IDT Housings. [79107](#) Board-to-Board Top Entry Through Hole Receptacle. [79108](#) Board-to-Board FFC/FPC Top Entry Through Hole Receptacle. L

Plating min: Termination (µm)	1.88
Polarized to Mating Part	Side Slots (2)
Polarized to PCB	No
Shrouded	Fully
Stackable	No
Surface Mount Compatible (SMC)	Yes
Temperature Range - Operating	-55°C to +105°C
Termination Interface: Style	Through Hole

### **Electrical**

Current - Maximum per Contact	2A
Voltage - Maximum	125V

### **Solder Process Data**

Duration at Max. Process Temperature (seconds)	11
Lead-free Process Capability	SMC & Wave Capable (TH only)
Max. Cycles at Max. Process Temperature	1
Process Temperature max. C	265

### **Material Info**

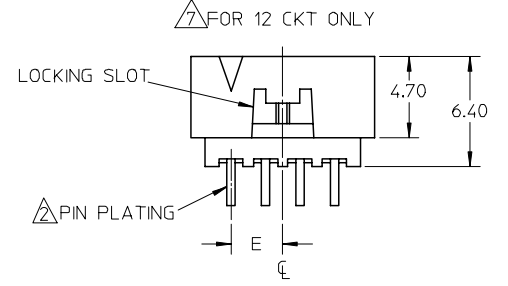
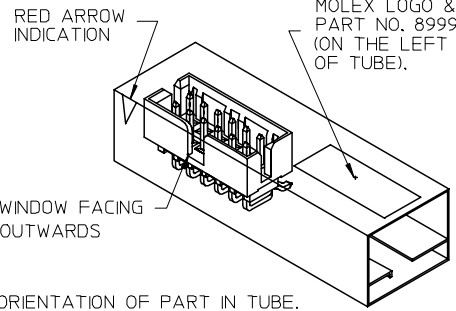
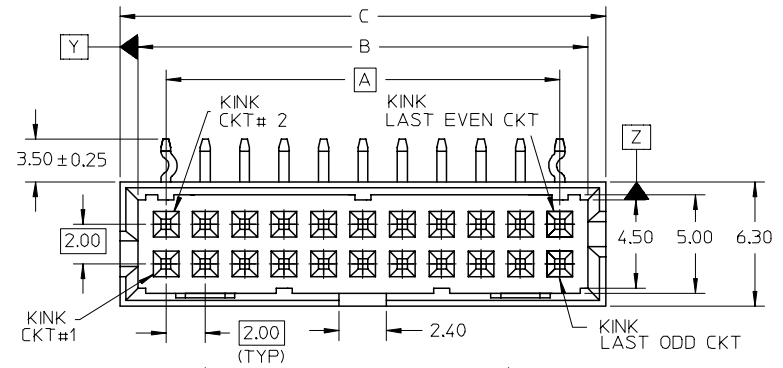
### **Reference - Drawing Numbers**

Product Specification	PS-87831-027
Sales Drawing	SD-87833-039

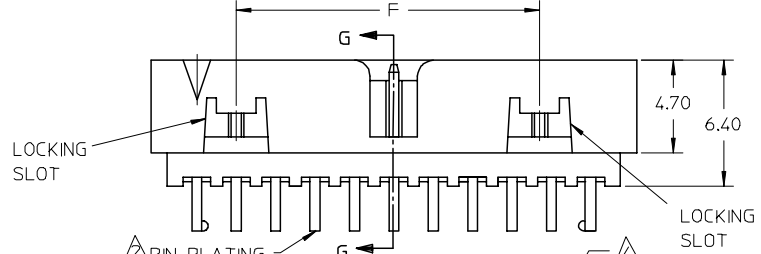
This document was generated on 05/26/2010

**PLEASE CHECK [WWW.MOLEX.COM](http://WWW.MOLEX.COM) FOR LATEST PART INFORMATION**

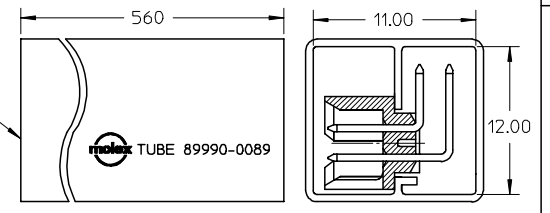
PART NO.	CKT SIZE	KINK CKT	DIMENSION					
			A	B	C	D	E	F
87833-1260	12	1, 2, 11 & 12	10.00	12.85	14.65	13.00	5.00	---
87833-1660	16	1, 2, 15 & 16	14.00	16.85	18.65	17.00	---	10.00



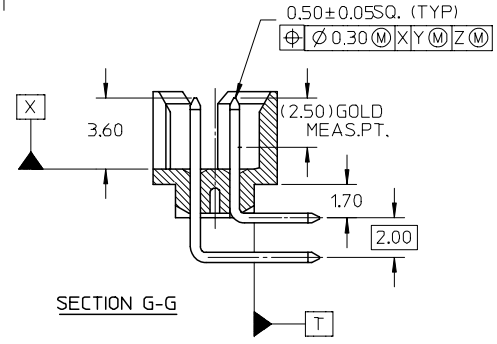
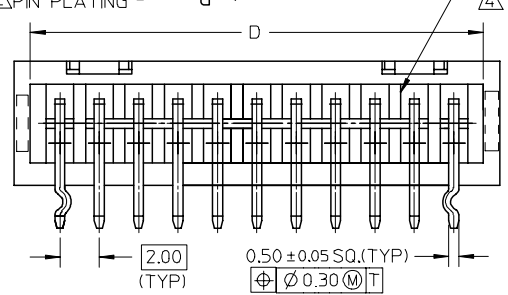
REF: ORIENTATION OF PART IN TUBE.  
(FOR THE REFERENCE OF PART/TUBE ASSEMBLY.)



TUBE P/N :  
89990-0089



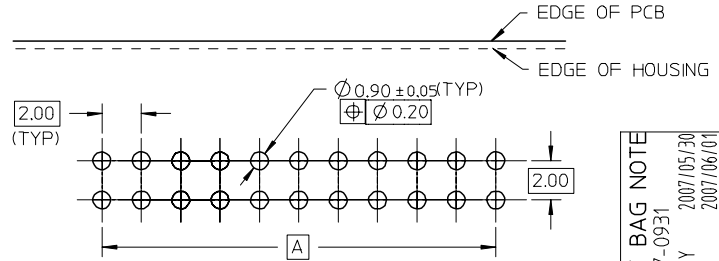
REF: ORIENTATION OF PART IN TUBE.



SECTION G-G

NOTES:

- MATERIAL :  
HOUSING : 30% G.F., NYLON 46, UL94V-0, COLOR BLACK.  
PIN : 0.50MM SQ. PHOSPHOR BRONZE.
- PLATING :  
0.38um/15uin GOLD IN CONTACT AREA AND 1.88um/75uin MIN. TIN IN SOLDER TAIL AREA OVER 1.27um/50uin MIN. NICKEL OVERALL.
- PRODUCT SPECIFICATION PS-87831-027 APPLIES.
- LINKWAYS VARIES FROM PART TO PART BECAUSE OF DIFFERENT MOLD.
- RECOMMENDED PCB THICKNESS : 1.60 ± 0.10 MM.
- PARTS ARE TO BE PACKED IN TUBE WITH MOISTURE BARRIER BAG.
- 12 CKT HAS ONE LOCKING SLOT.



RECOMMENDED PCB PATTERN

ADD MOIST BAG NOTE  
EC NO: S2007-0931  
DRWN: GVENARLY  
CHKD: SXANG  
APPR: MLONG

REV	DESCRIPTION
A1	

QUALITY SYMBOLS	GENERAL TOLERANCES (UNLESS SPECIFIED)	
	mm	INCH
▽=0	4 PLACES ± ---	± ---
▽=0	3 PLACES ± ---	± ---
	2 PLACES ± 0.2	± ---
	1 PLACE ± ---	± ---
	ANGULAR ± 3 °	

DIMENSION STYLE		SCALE	DESIGN UNITS	THIRD ANGLE PROJECTION
MM ONLY		NTS	METRIC	
DRAWN BY	DATE	TITLE	MGRID SHROUDED HEADER W/SLOT/STANDOFF AND KINKED SOLDER TAIL, R/A	
BOKOK	2004/10/04			
CHECKED BY	DATE			
PTL IM	2004/10/14			
APPROVED BY	DATE	MOLEX		MOLEX INCORPORATED
SCLOW	2004/10/14	DOCUMENT NO.		SD-87833-039
MATERIAL NO.		SHEET NO.		1 OF 1
DRAFT WHERE APPLICABLE MUST REMAIN WITHIN DIMENSIONS		SEE TABLE		

DIMENSION STYLE		SCALE	DESIGN UNITS	THIRD ANGLE PROJECTION
MM ONLY		NTS	METRIC	
DRAWN BY	DATE	TITLE	MGRID SHROUDED HEADER W/SLOT/STANDOFF AND KINKED SOLDER TAIL, R/A	
BOKOK	2004/10/04			
CHECKED BY	DATE			
PTL IM	2004/10/14			
APPROVED BY	DATE	MOLEX		MOLEX INCORPORATED
SCLOW	2004/10/14	DOCUMENT NO.		SD-87833-039
MATERIAL NO.		SHEET NO.		1 OF 1
DRAFT WHERE APPLICABLE MUST REMAIN WITHIN DIMENSIONS		SEE TABLE		