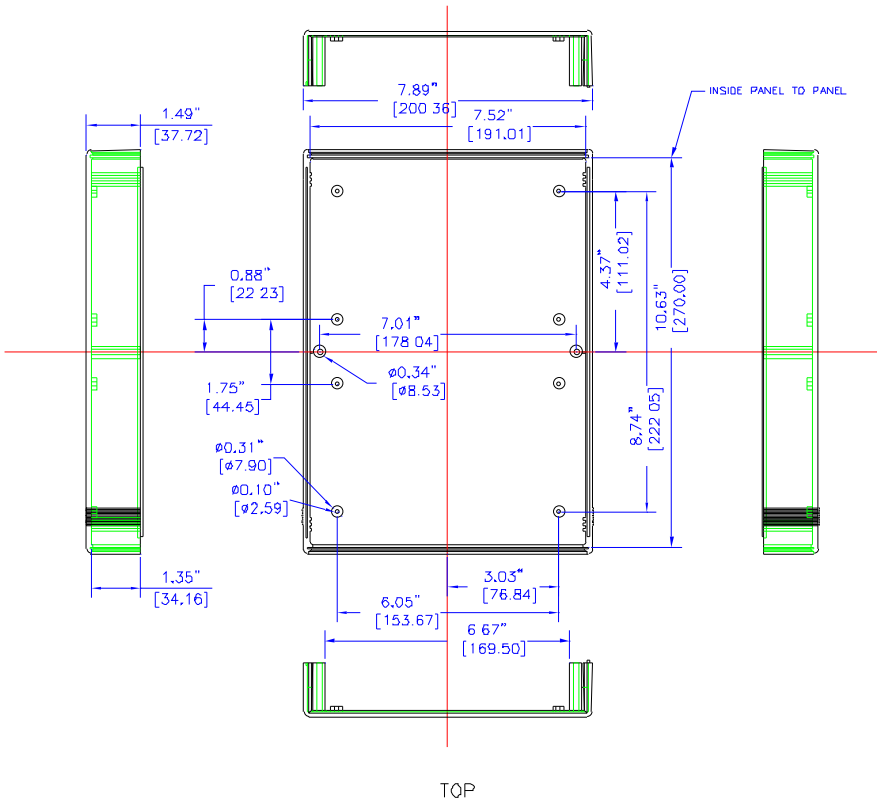
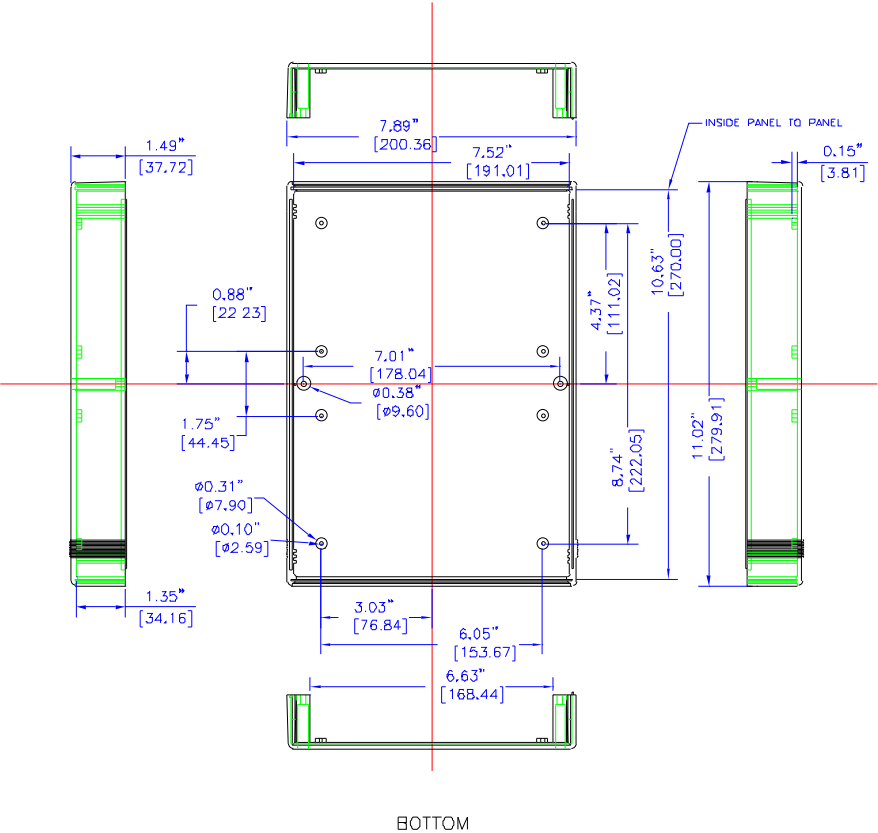
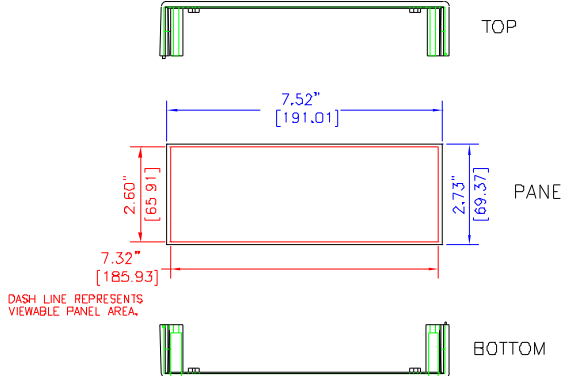


NOTES

MATERIAL: MOLDED USING EITHER FLAME RETARDANT ABS PLASTIC OR POLYSTYRENE
 PARTS: COMES WITH 2 0.064" BRUSHED ALUMINUM PANELS, AND 4 RUBBER FEET. ABS VERSION COMES WITH M3 0.5 X 10MM PHILLIPS MACHINE SCREWS THREADED INTO BRASS INSERTS. STYRENE COMES WITH #4 X 5/8" SELF TAPPING SCREWS.
 COLOR: CHOICE OF BLACK OR GRAY.
 OPTIONS: PLASTIC FRONT & REAR PANELS. EMI/RFI SHIELDING.



UNLESS OTHERWISE SPECIFIED DIMENSIONS ARE IN INCHES
 X +/- .1
 XX +/- .06
 XXX +/- .015
 CUTS +/- .005
 ANGLES +/- .5 DEG.
 NOTICE
 HAMMOND HAS NO PROPRIETARY RIGHTS IN THE MATERIAL ON THIS DRAWING. IT IS INTENDED TO BE USED AS A REFERENCE FOR ENGINEERING INFORMATION ONLY. THIS INFORMATION MAY NOT BE USED TO MANUFACTURE A PRODUCT WITHOUT WRITTEN PERMISSION FROM HAMMOND MANUFACTURING.

HAMMOND MANUFACTURING
 WEB WWW.HAMMONDMFG.COM

TITLE HAMMOND 1598 SERIES INSTRUMENT ENCLOSURE
 DRAWN BY MJM DATE 07/12/00
 SCALE PAGE 1 OF 1
 PART NUMBER 1598J