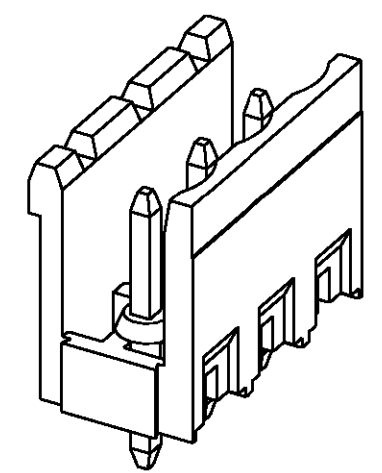
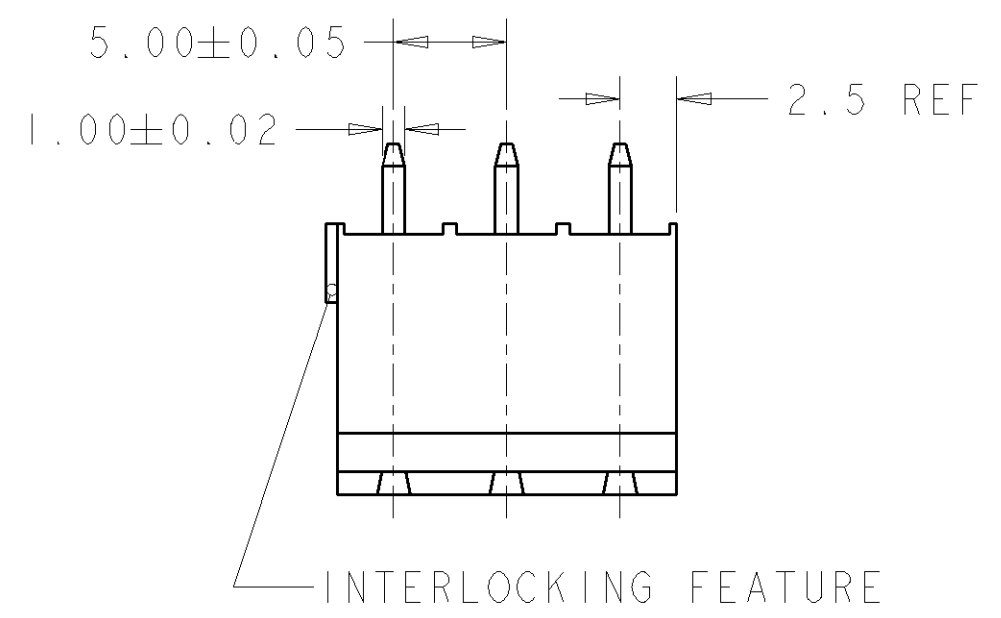


THIS DRAWING IS UNPUBLISHED. RELEASED FOR PUBLICATION 20  
 © COPYRIGHT 20 BY TYCO ELECTRONICS CORPORATION. ALL RIGHTS RESERVED.

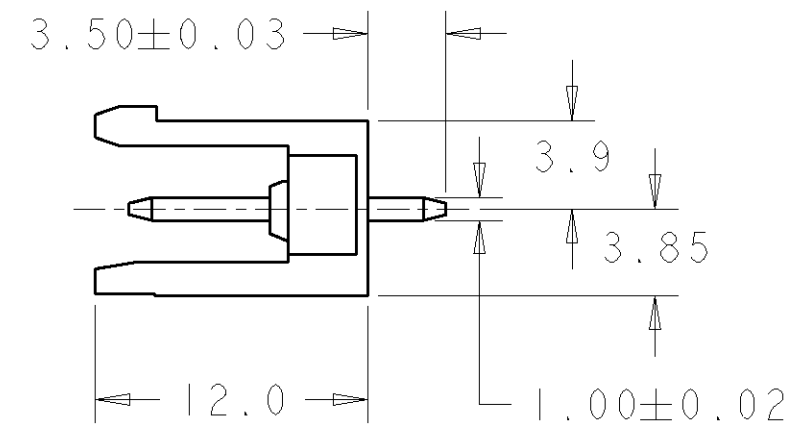
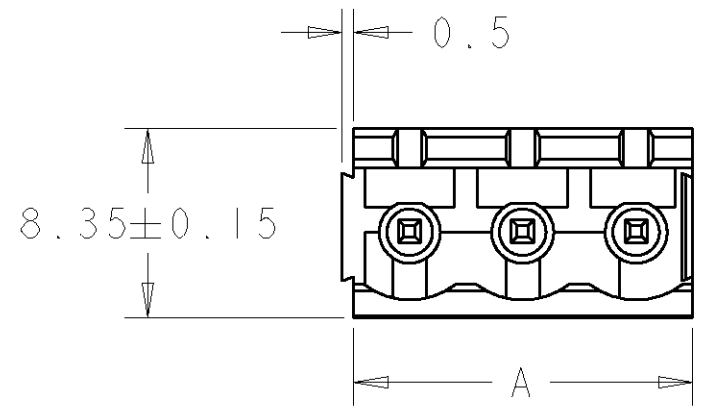
| LOC | DIST | REVISIONS   |                          |           |       |
|-----|------|-------------|--------------------------|-----------|-------|
| P   | LTR  | DESCRIPTION | DATE                     | DWN       | APVD  |
|     |      |             |                          |           |       |
|     |      |             |                          |           |       |
|     |      |             |                          |           |       |
| FT  | 0    | C           | REVISED PER 0G3B-0326-01 | 27JUL2001 | EZ DB |



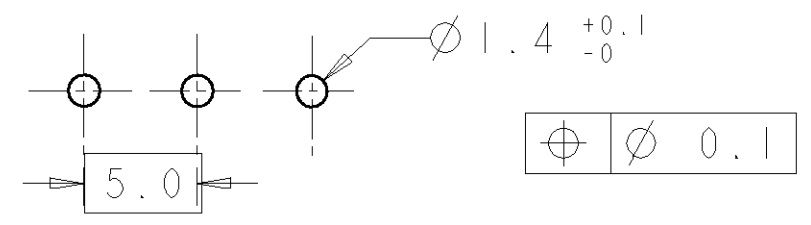
282821-3 AS SHOWN

- 1 MATERIALS AND FINISH  
HOUSING: PA 6-6, UL 94-V0, COLOR GREEN.  
TERMINAL: PHOSPHOR BRONZE, TIN PLATED.
- 2 SUITABLE FOR 1.6-2.4mm PC BOARD THICKNESS.
- 3 END-TO-END STACKABLE W/INTERLOCK WITHOUT LOSS OF CENTERLINE SPACING.
- 4 RECOGNIZED UNDER THE COMPONENT PROGRAM OF UNDERWRITERS LABORATORIES INC. FILE N° E60677.
- 5 IMQ CERTIFICATE WITH SURVEILLANCE IN CONFORMITY WITH IEC 998-1/998-2-1.
- 6 NOT CUMULATIVE TOLERANCE.

| DIM. A | N° OF POS. | PART NUMBER |
|--------|------------|-------------|
| 20     | 4          | 282821-4    |
| 15     | 3          | 282821-3    |
| 10     | 2          | 282821-2    |



RECOMMENDED PC BOARD LAYOUT



|   |  |  |  |  |  |
|---|--|--|--|--|--|
| <small>THIS DRAWING IS A CONTROLLED DOCUMENT FOR TYCO ELECTRONICS CORPORATION<br/>IT IS SUBJECT TO CHANGE AND THE CONTROLLING ENGINEERING ORGANIZATION<br/>SHOULD BE CONTACTED FOR THE LATEST REVISION.</small> |  | DWN 27JUL2001<br>E. ZANOLINI<br>CHK 27JUL2001<br>D. BIEVENOUR<br>APVD 27JUL2001<br>D. BIEVENOUR                    |  | <b>BUCHANAN</b> Tyco Electronics<br>Harrisburg, PA 17105-3608                                |  |
| DIMENSIONS:<br>mm   |  | TOLERANCES UNLESS OTHERWISE SPECIFIED:<br>0 PLC ±-<br>1 PLC ±.2<br>2 PLC ±.25<br>3 PLC ±-<br>4 PLC ±-<br>ANGLES ±2 |  | NAME<br><b>TERMINAL BLOCK HEADER ASSEMBLY<br/>180° STACKING WITH INTERLOCK<br/>5mm PITCH</b> |  |
| MATERIAL -  |  | FINISH -   |  | PRODUCT SPEC 108-20166<br>APPLICATION SPEC 114-20079<br>WEIGHT -                             |  |
| CUSTOMER DRAWING  |  |  |  | SIZE A3 CAGE CODE 00779 DRAWING NO C=282821 RESTRICTED TO -                                  |  |
| SCALE 3:1   |  |  |  | SHEET 1 OF 1 REV C   |  |