

---

## Datasheet

# SIPS Hi-Shock Remote Transducer

---



### Description

The Type 7660 Hi-Shock Transducer is used when mounting Type 7722 Shockproof Remote HGPS transceivers on airgun arrays.

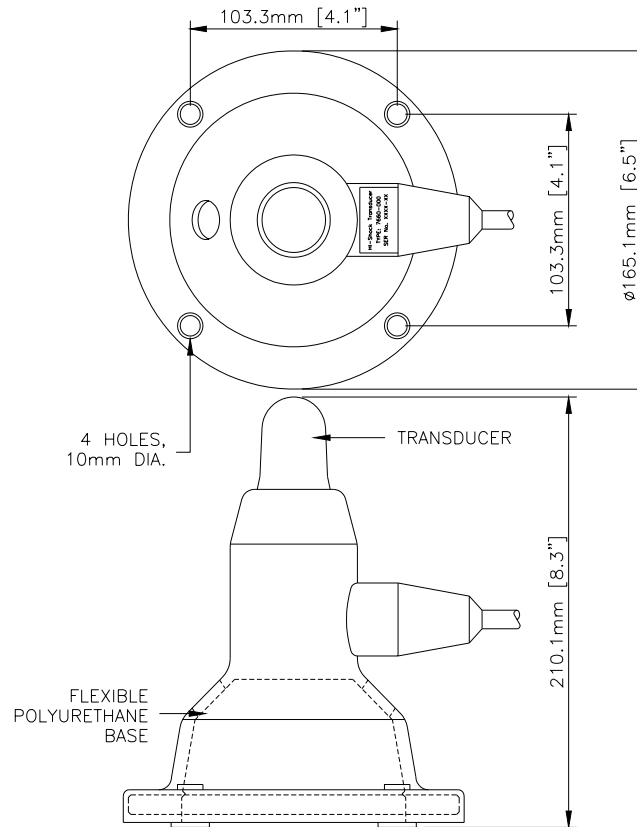
Hi-Shock transducers are shock and vibration resistant and so are capable of operating in the harsh environment near airguns

### Key Features

- Custom cable Lengths
- Shock-mounted electronics
- Steel mounting ring
- Moulded cable connection
- Choice of connectors types

# Specifications

## SIPS Hi-Shock Remote Transducer



Feature	Type 7660
Operating Frequency	EHF (55-110kHz)
Transducer Beam Pattern	Omni-Directional
Temperature	Operation: -5°C to 50°C Storage: -20°C to 50°C
Cable Length	Custom
Connector Type	AGM or AGP
Dimensions (LxDia)	210.1mm (8.3") x 170mm (6.5")
Weight in Air	2.5kg