



CONNOR-WINFIELD CORPORATION

AURORA, IL. 60505

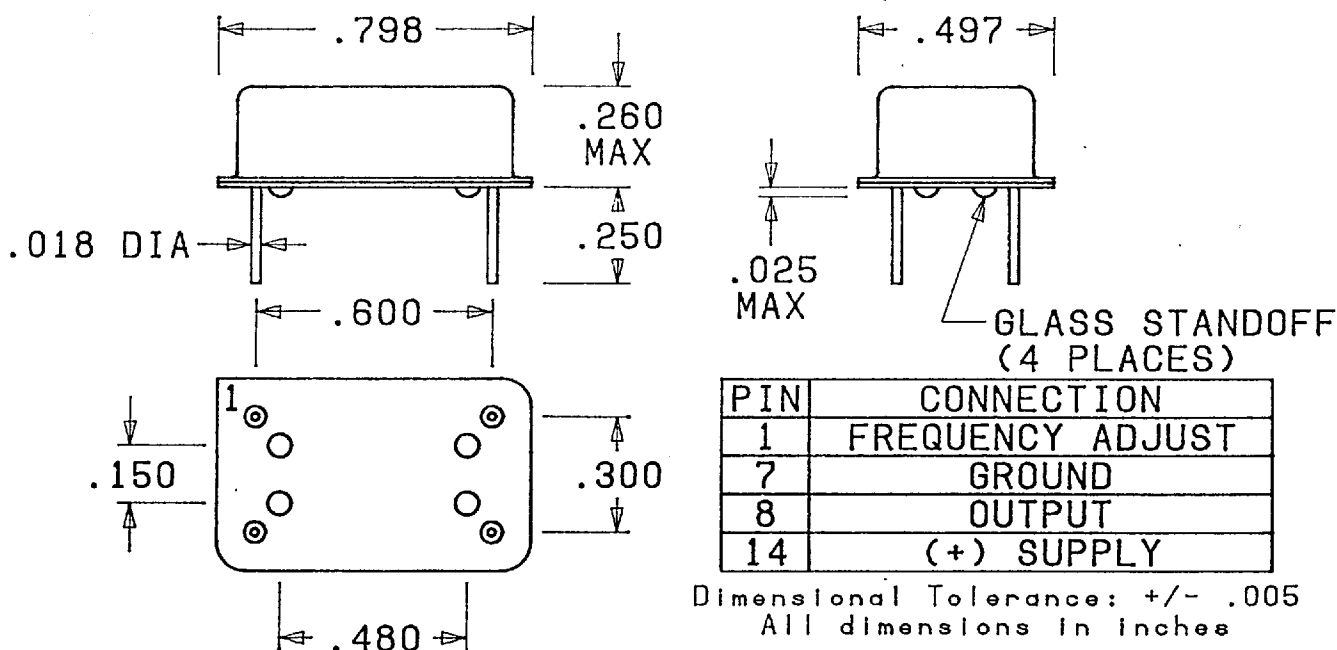
PHONE (708) 851-4722

FAX (708) 851-5040

# OSCILLATORS

## ELECTRONIC FREQUENCY ADJUST 14 PIN DIP HCMOS

SPECIFICATIONS	H10BV	H10CV	H10DV	H10EV
Frequency Range	100KHz to 24MHz	32KHz to 50MHz		
Frequency Stability	+/-5ppm	+/-10ppm	+/-25ppm	+/-50ppm
Temperature Range	0 to +70 degrees C			
Waveform	HCMOS Squarewave			
Load	15pf			
Output	Voh	4.5V Min		
	Vol	0.4V Max		
	Ioh	-4.0mA		
	Iol	4.0mA		
Symmetry	50/50 +/-5% Typ, 50/50 +/-10% Max			
Rise/Fall Time	6nS			
Freq Adjust Voltage	0.5 to 4.5Vdc			
Deviation	+/-10ppm Min, +/-20ppm Max			
Supply Voltage	+5Vdc +/-5%			
Supply Current	30mA Max			



Please phone or write for additional information

5-13-91

Bulletin subject to change without notice