

# EVERLIGHT

the source of light

## DATASHEET

### SL-16D LED Lamp Series



#### Features

- No UV or IR light radiation
- 12 VAC/DC power input
- Provide 30° and 50 ° beam angle
- Operating temperature: -20°C – +40°C
- Long lifetime: 25000 hours (L70)
- GU5.3 bi pin cap

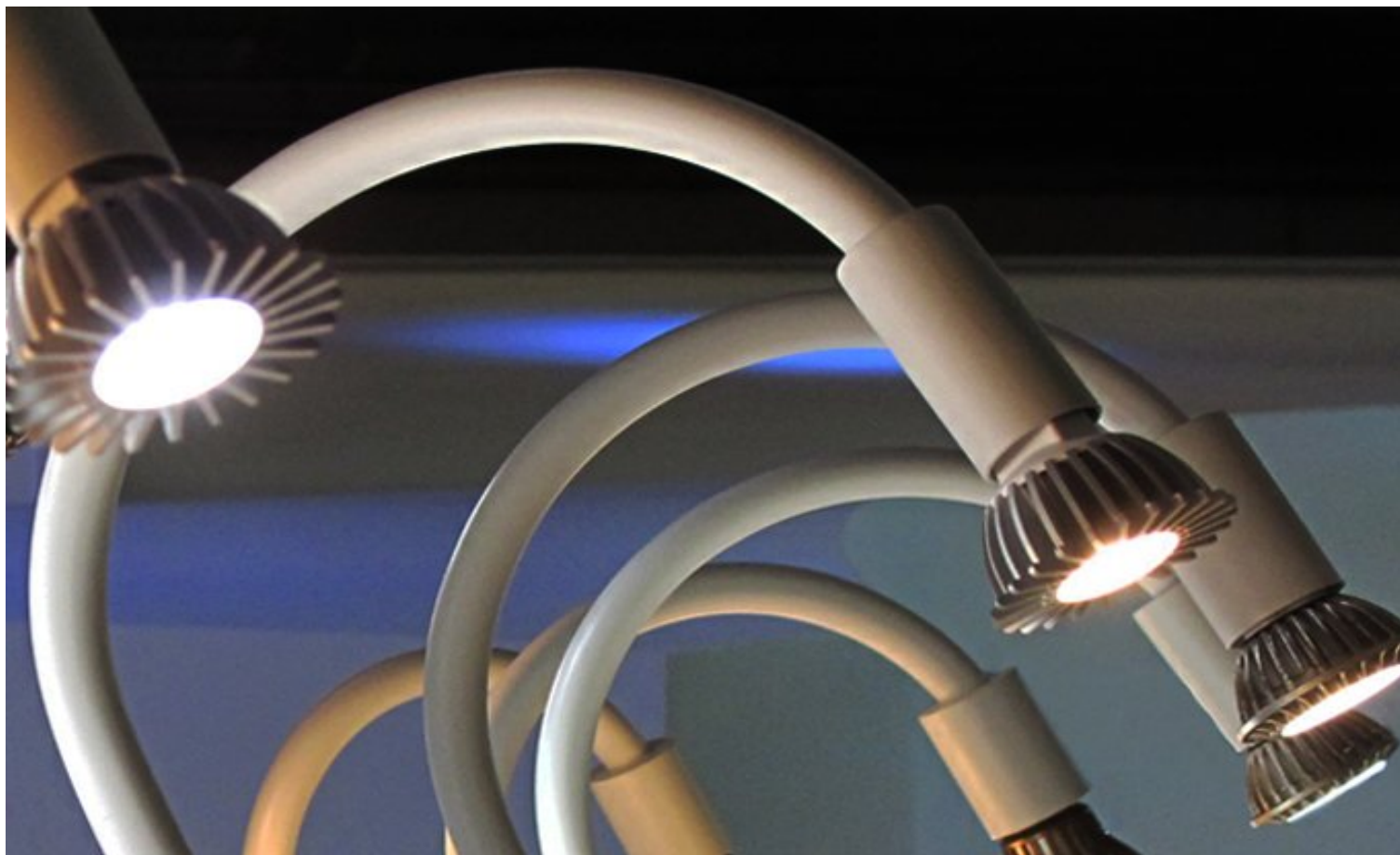
Revision : 6

1  
LifecyclePhase: 正式發行

Copyright © 2010, Everlight All Rights Reserved. Release Date : Jan.06.2011 Issue No: DBM-0000120

Release Date:2011-06-10 14:49:00.0

Expired Period: Forever



### Coding of Part Number:

SL-16D / 012ADC / B / P05 / 30 / E30 / EU /  
1 2 3 4 5 6 7

#### 1. Product Series

SL-16D : MR16-D series LED lamp

#### 2. Input Voltage

012ADC: AC/DC 12V

#### 3. LED Type

B : Everlight HP B LED

#### 4. Power Consumption

P05 : 5W

#### 5. Beam Angle

30: 30 Degree

50: 50 Degree

#### 6. Correlated Color Temperature

E50: ANSI C78 5000K

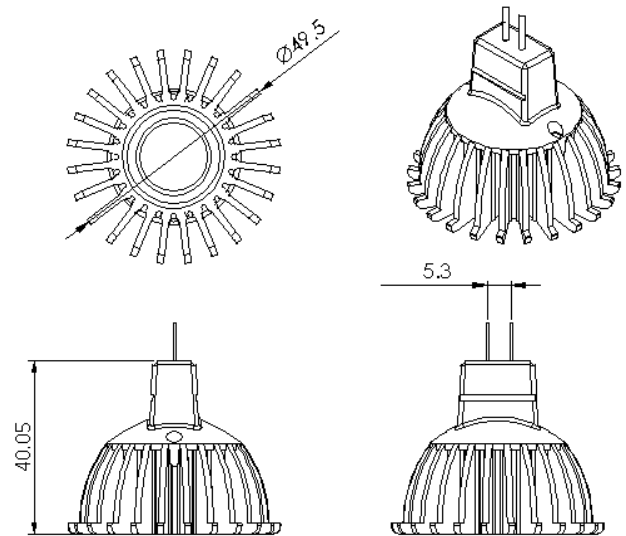
E30: ANSI C78 3000K

#### 7. Package and Certification

EU: Graphic Package. CE certified

US: Graphic Package. UL listed

## Product Dimensions



- Notes: 1. Dimensions are in millimeters  
2. Tolerances unless otherwise mentioned  $\pm 5.0\text{mm}$

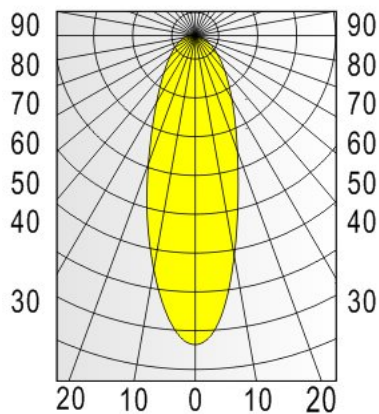
EVERLIGHT

### Luminance and Technical Data

Product Name	SL-16D/012ADC/B/P05/30/E30/EU/ZN SL-16D/012ADC/B/P05/30/E30/US/ZN	SL-16D/012ADC/B/P05/30/E50/EU/ZN SL-16D/012ADC/B/P05/30/E50/US/ZN
Product Family	Retrofit	Retrofit
Main Use	Office, commercial, residential and hospitality lighting	Office, commercial, residential and hospitality lighting
InputVoltage/ Frequency	12V AC/DC	12V AC/DC
Power Consumption	5W	5W
Dim ability	No	No
Mechanical Dimensions	Ø49.5 * 50.7mm	Ø49.5 * 50.7mm
Maximum Weight	35g	35g
Light Color	Warm white / 3000K	Daylight white / 5000K
Luminous Flux (Typ)	180lm	225lm
CBCP (cd)	380	540
Beam Angle	30°	30°
CRI	> 80	> 80
Storage Temperature	-30 - +80	-30 - +80

Luminous Flux measurement tolerance: ±10%

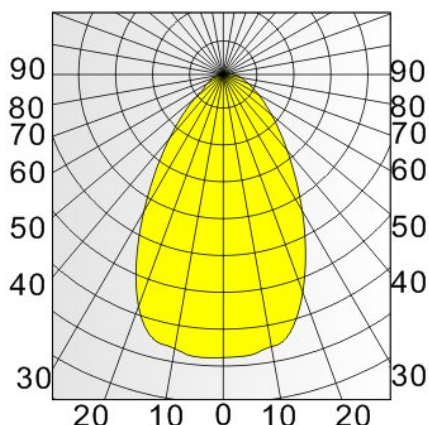
### Light Intensity Distribution



Product Name	SL-16D/012ADC/B/P05/50/E30/EU/ZN SL-16D/012ADC/B/P05/50/E30/US/ZN	SL-16D/012ADC/B/P05/50/E50/EU/ZN SL-16D/012ADC/B/P05/50/E50/US/ZN
Product Family	Retrofit	Retrofit
Main Use	Office, commercial, residential and hospitality lighting	Office, commercial, residential and hospitality lighting
Input Voltage/	12V AC/DC	12V AC/DC
Power Consumption	5W	5W
Dim ability	No	No
Mechanical Dimensions	Ø49.5 * 50.7mm	Ø49.5 * 50.7mm
Maximum Weight	35g	35g
Light Color	Warm white / 3000K	Daylight white / 5000K
Luminous Flux(Typ.)	170lm	220lm
CBCP (cd)	210	260
Beam Angle	50°	50°
CRI	> 80	> 80
Storage Temperature	-30 ~+80	-30 ~+80

Luminous Flux measurement tolerance: ±10%

### Light Intensity Distribution



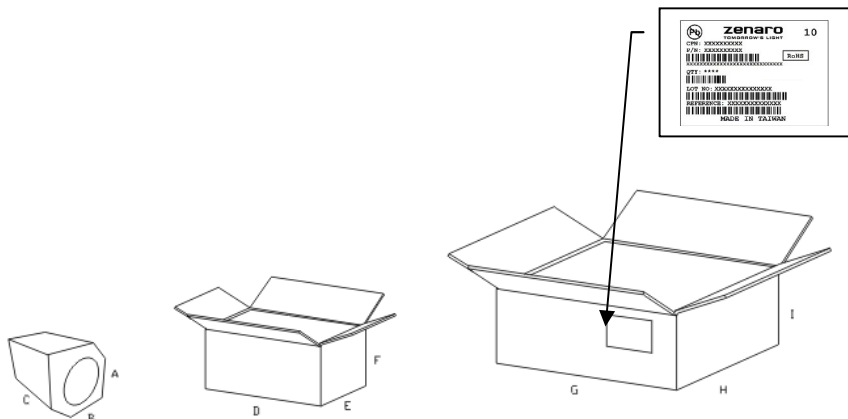
### Installation Instructions and Warnings

- Do not open - no user serviceable parts inside.
- Turn off power before inspection, installation, or removal.
- Do not use in totally enclosed fixtures.
- Not for use where exposed the weather.
- Not intended for use with emergency exit fixtures or emergency lights.

## Package Information

### Package Dimension

Package	Unit: mm	Unit: kg
A	77	
B	77	0.06
C	65	
<b>Inner Box</b>		
D	355	
E	150	1.50
F	160	
<b>Outer Box</b>		
G	490	
H	375	5.00
I	185	



### Packing Quantity

- 1 Luminaire / 1 Package
- 20 Packages / 1 Inner Box
- 3 Inner Box / 1 Outer Box

## Label Explanation

