

RETROFIT SL-16E LED Lamp Series



Features

- No UV or IR light radiation
- Provides 30° and 50° beam angles
- GU5.3 bi pin cap
- 12 VAC/DC power input
- Operation temperature: -20°C ~ +40°C
- Long lifetime: 25000 hours (L70)

Description

The EVERLIGHT SL-16E lamp series is a high quality low voltage LED replacement of a conventional MR16 halogen lamp. With only 4 watt of energy consumption and delivers huge energy saving, also cost saving. It has a bi-pin GU5.3 base, which makes it ideal for various lighting applications.

Applications

- Indoor Lighting
- Amusement Park Accenting

EVERLIGHT

Coding of Part Number:

SL-16E / 012ADC / B / P04 / 30 / E27 / TW

1 2 3 4 5 6 7

1. Product Series

SL-16E : MR16-E series LED lamp

2. Input Voltage

012ADC: AC/DC 12V

3. LED Type

B : Everlight HP B LED

4. Power Consumption

P04 : 4W

5. Beam Angle

30: 30 Degree

50: 50 Degree

6. Correlated Color Temperature

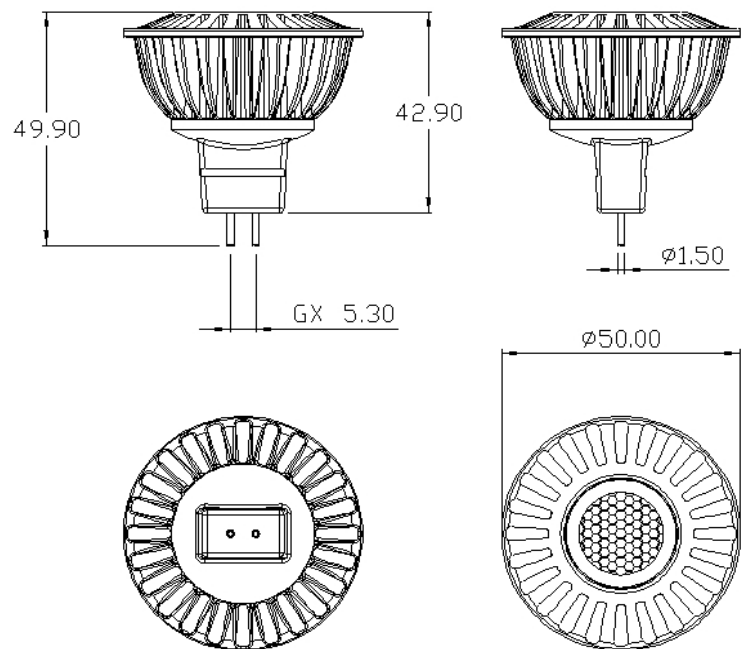
E27: ANSI C78 2700K

E57: ANSI C78 5700K

7. Package and Certification

TW: Graphic Package

Product Dimensions



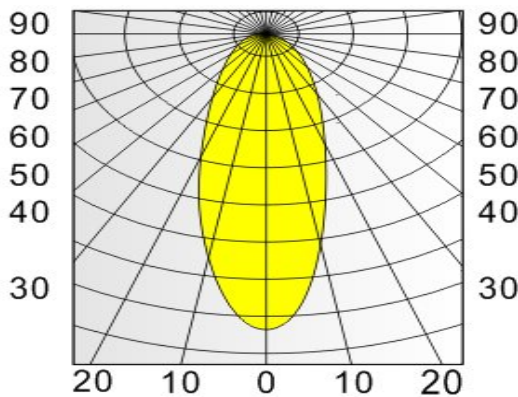
- Notes: 1. Dimensions are in millimeters
2. Tolerances unless otherwise mentioned $\pm 2\text{mm}$

Luminance and Technical Data

Product Name	SL-16E/012ADC/B/P04/30/E27/TW	SL-16E/012ADC/B/P04/30/E57/TW
Product Family	Retrofit	Retrofit
Main Use	Office, commercial, residential and hospitality lighting	Office, commercial, residential and hospitality lighting
Input Voltage/	12V AC/DC	12V AC/DC
Power Consumption	4W	4W
Dimability	No	No
Mechanical Dimensions	∅49.9 * 50mm	∅49.9 * 50mm
Maximum Weight	50g	50g
Light Color	Warm white / 2700K	Daylight white / 5700K
Luminous Flux(Typ.)	190lm	230lm
CBCP (cd)	380	540
Beam Angle	30°	30°
CRI	> 80	> 80
Storage Temperature	-30 ~+80	-30 ~+80

Luminous Flux measurement tolerance ± 10%

Intensity Distribution

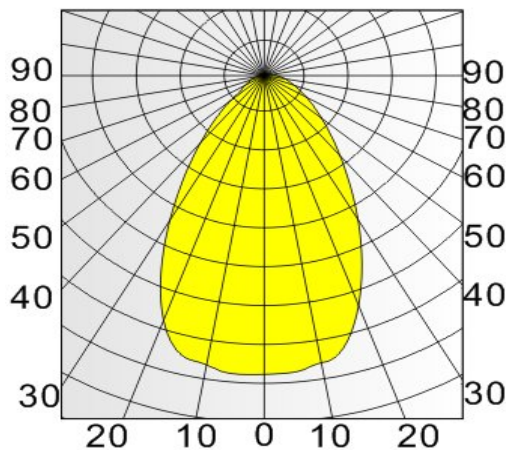


Luminance and Technical Data

Product Name	SL-16E/012ADC/B/P04/50/E27/TW	SL-16E/012ADC/B/P04/50/E57/TW
Product Family	Retrofit	Retrofit
Main Use	Office, commercial, residential and hospitality lighting	Office, commercial, residential and hospitality lighting
Input Voltage/	12V AC/DC	12V AC/DC
Power Consumption	4W	4W
Dimability	No	No
Mechanical Dimensions	Ø49.9 * 50mm	Ø49.9 * 50mm
Maximum Weight	50g	50g
Light Color	Warm white / 2700K	Daylight white / 5700K
Luminous Flux(Typ.)	210lm	240lm
CBCP (cd)	210	260
Beam Angle	50°	50°
CRI	> 80	> 80
Storage Temperature	-30 ~+80	-30 ~+80

Luminous Flux measurement tolerance $\pm 10\%$

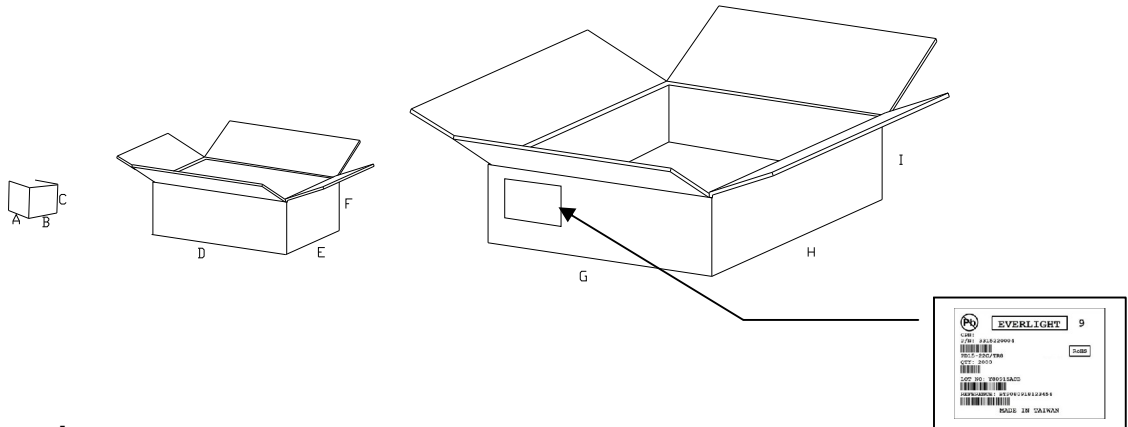
Intensity Distribution



Installation Instruction and Warning

- Do not open - non user serviceable parts inside.
- Turn off power before inspection, installation, or removal.
- Do not use in totally enclosed fixtures.
- Not for use where exposed to the weather.
- Not intended for use with emergency exit fixtures or emergency lights.
- Not for use with dimmers.
- Caution – Use in dry location only.

Package information



Package Dimension

Package	Unit: mm	Unit: kg
A	66	
B	66	0.07
C	75	
Inner Box	Unit: mm	Unit: kg
D	355	
E	140	1.47
F	165	
Outer Box	Unit: mm	Unit: kg
G	440	
H	370	4.52
I	185	

Packing Quantity

- 1 Luminaire / 1 Package
- 20 Packages / 1 Inner Box
- 3 Inner Box / 1 Outer Box

Label Explanation

