

**PLEASE CHECK WWW.MOLEX.COM FOR LATEST PART INFORMATION**

**Part Number:** [0476040001](#)  
**Status:** **Active**  
**Overview:** [battery connectors](#)  
**Description:** 2.00mm (.079") Pitch Battery Connector, SMT, Contact Width 0.60mm (.024"), 4 Circuits

**Documents:**

[3D Model](#) [Product Specification PS-47604-001 \(PDF\)](#)  
[Drawing \(PDF\)](#) [RoHS Certificate of Compliance \(PDF\)](#)

**General**

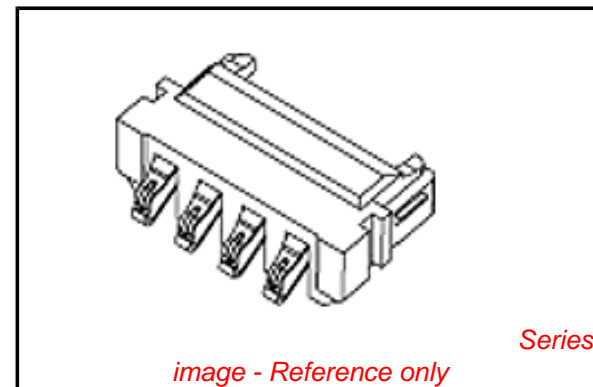
Product Family	PCB Headers
Series	47604
Application	Board-to-Board
Overview	<a href="#">battery connectors</a>
Product Name	Battery Connector

**Physical**

Breakaway	No
Circuits (Loaded)	4
Circuits (maximum)	4
Durability (mating cycles max)	10,000
First Mate / Last Break	No
Glow-Wire Compliant	No
Guide to Mating Part	No
Keying to Mating Part	None
Lock to Mating Part	None
Material - Plating Mating	Gold
Number of Rows	1
Orientation	Right Angle
PC Tail Length (in)	0.000 In
PC Tail Length (mm)	0.00 mm
PCB Locator	No
PCB Retention	Yes
PCB Thickness Recommended (in)	0.000 In
PCB Thickness Recommended (mm)	0.00 mm
Packaging Type	Embossed Tape on Reel
Pitch - Mating Interface (in)	0.079 In
Pitch - Mating Interface (mm)	2.00 mm
Pitch - Term. Interface (in)	0.079 In
Pitch - Term. Interface (mm)	2.00 mm
Plating min: Mating (µin)	30
Plating min: Mating (µm)	0.76
Plating min: Termination (µin)	3
Plating min: Termination (µm)	0.08
Polarized to Mating Part	Yes
Polarized to PCB	No
Shrouded	No
Stackable	No
Temperature Range - Operating	-20°C to +70°C
Termination Interface: Style	Surface Mount

**Electrical**

Current - Maximum per Contact	1A
Voltage - Maximum	200V DC (RMS)



**EU RoHS**

**ELV and RoHS Compliant**  
**REACH SVHC**  
 Not Reviewed  
**Halogen-Free Status**  
 Not Reviewed

**China RoHS**



**Need more information on product environmental compliance?**

Email [productcompliance@molex.com](mailto:productcompliance@molex.com)  
 For a multiple part number RoHS Certificate of Compliance, [click here](#)

Please visit the [Contact Us](#) section for any non-product compliance questions.

**Search Parts in this Series**

47604Series

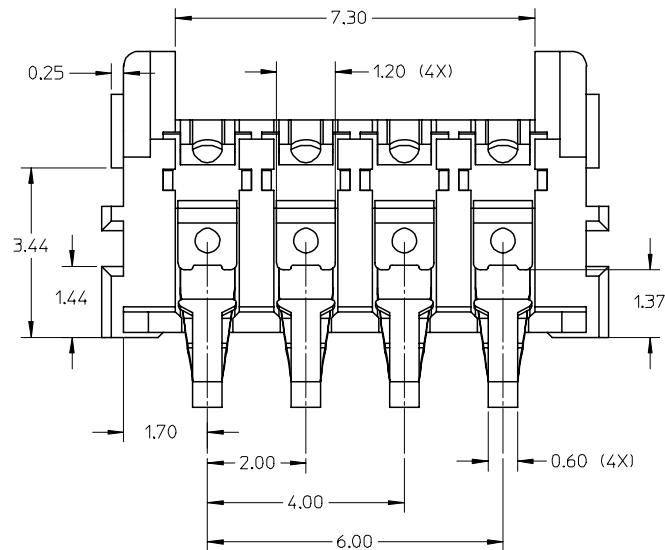
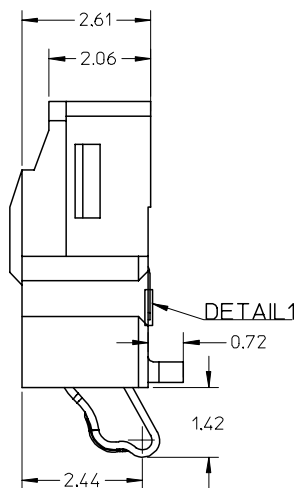
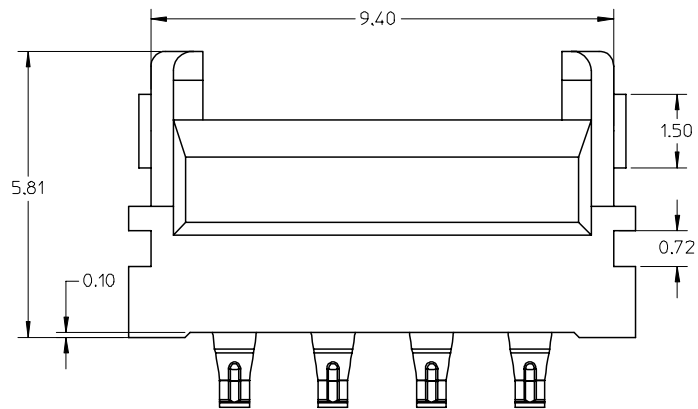
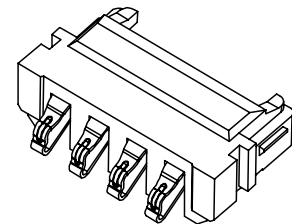
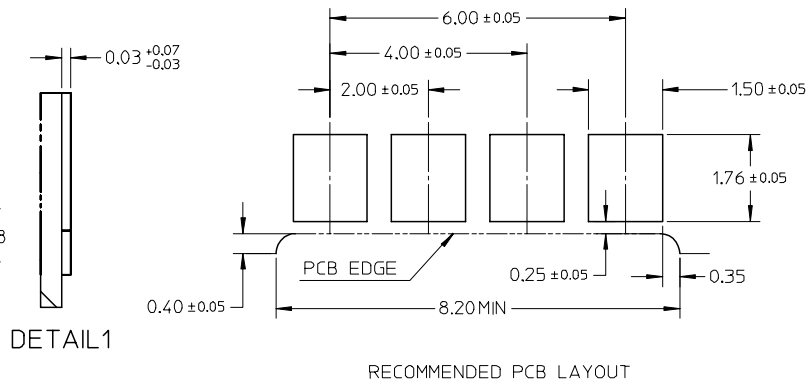
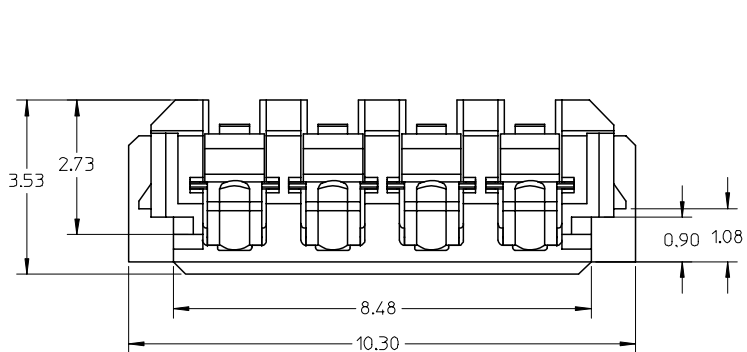
## Material Info

### Reference - Drawing Numbers

Packaging Specification	PK-47604-001
Product Specification	PS-47604-001
Sales Drawing	SD-47604-001
Test Summary	TS-47604-001

This document was generated on 05/26/2010

**PLEASE CHECK [WWW.MOLEX.COM](http://WWW.MOLEX.COM) FOR LATEST PART INFORMATION**



NOTES:

- 1 MATERIAL:  
TERMINAL : BERYLLIUMCOPPER  
HOUSING : HIGH TEMPERATURE THERMAL PLASTIC
- 2 FINISH: 50~150μ<sup>N</sup> NICKEL UNDER PLATED  
30~50μ<sup>N</sup> GOLD PLATING ON CONTACT AREA  
3μ<sup>N</sup>Min GOLD FLASH ON SOLDERING AREA
- 3 PRODUCT SPECIFICATION: PS-47604-001
- 4 PACKAGING INFORMATION: PK-47604-001

RELEASED EC NO: SH2008-0025 DRWN: WANG91 CHKD: XIXU APPR: HWANG	2007/07/17 2007/07/20 2007/07/26	DESCRIPTION A	QUALITY SYMBOLS	GENERAL TOLERANCES (UNLESS SPECIFIED)	DIMENSION STYLE	SCALE	DESIGN UNITS	THIRD ANGLE PROJECTION																
			$\nabla = 0$ $\triangle = 0$	<table border="1"> <thead> <tr> <th></th> <th>mm</th> <th>INCH</th> </tr> </thead> <tbody> <tr> <td>4 PLACES</td> <td>± ---</td> <td>± ---</td> </tr> <tr> <td>3 PLACES</td> <td>± ---</td> <td>± ---</td> </tr> <tr> <td>2 PLACES</td> <td>± 0.13</td> <td>± ---</td> </tr> <tr> <td>1 PLACE</td> <td>± ---</td> <td>± ---</td> </tr> </tbody> </table>		mm	INCH	4 PLACES	± ---	± ---	3 PLACES	± ---	± ---	2 PLACES	± 0.13	± ---	1 PLACE	± ---	± ---	MM ONLY	10:1	METRIC		
				mm	INCH																			
			4 PLACES	± ---	± ---																			
3 PLACES	± ---	± ---																						
2 PLACES	± 0.13	± ---																						
1 PLACE	± ---	± ---																						
DRAFT WHERE APPLICABLE MUST REMAIN WITHIN DIMENSIONS	<table border="1"> <tr> <td>DRAWN BY</td> <td>DATE</td> <td>TITLE</td> </tr> <tr> <td>YWANG</td> <td>2007/05/08</td> <td rowspan="2">ASSY. 4 PIN BATTERY CONNECTOR 2.00 MM PITCH</td> </tr> <tr> <td>CHECKED BY</td> <td>DATE</td> </tr> <tr> <td>XIXU</td> <td>2007/05/08</td> <td rowspan="2">MOLEX INCORPORATED</td> </tr> <tr> <td>APPROVED BY</td> <td>DATE</td> </tr> <tr> <td>JNCHEN</td> <td>2007/05/08</td> <td></td> </tr> </table>	DRAWN BY	DATE	TITLE	YWANG	2007/05/08	ASSY. 4 PIN BATTERY CONNECTOR 2.00 MM PITCH	CHECKED BY	DATE	XIXU	2007/05/08	MOLEX INCORPORATED	APPROVED BY	DATE	JNCHEN	2007/05/08		<table border="1"> <tr> <td>MATERIAL NO.</td> <td>DOCUMENT NO.</td> <td>SHEET NO.</td> </tr> <tr> <td>476040001</td> <td>SD-47604-001</td> <td>1 OF 1</td> </tr> </table>	MATERIAL NO.	DOCUMENT NO.	SHEET NO.	476040001	SD-47604-001	1 OF 1
DRAWN BY	DATE	TITLE																						
YWANG	2007/05/08	ASSY. 4 PIN BATTERY CONNECTOR 2.00 MM PITCH																						
CHECKED BY	DATE																							
XIXU	2007/05/08	MOLEX INCORPORATED																						
APPROVED BY	DATE																							
JNCHEN	2007/05/08																							
MATERIAL NO.	DOCUMENT NO.	SHEET NO.																						
476040001	SD-47604-001	1 OF 1																						
SIZE	THIS DRAWING CONTAINS INFORMATION THAT IS PROPRIETARY TO MOLEX INCORPORATED AND SHOULD NOT BE USED WITHOUT WRITTEN PERMISSION																							