

New Jersey Semi-Conductor Products, Inc.

20 STERN AVE.
 SPRINGFIELD, NEW JERSEY 07081
 U.S.A.

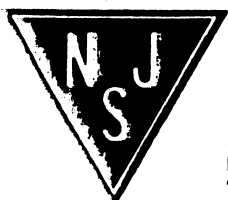
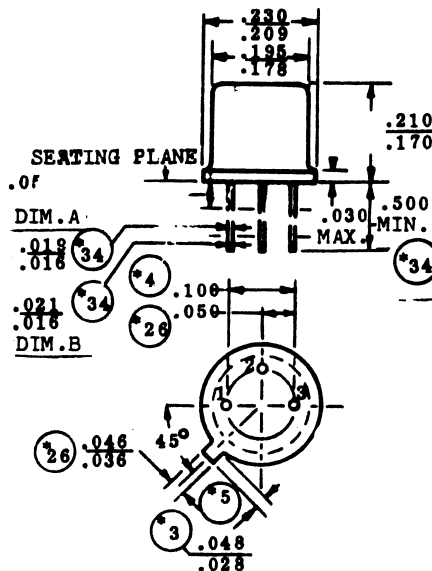
TELEPHONE: (973) 376-2922
 (212) 227-6005
 FAX: (973) 376-8960

Small Signal Transistors
 TO-18 Case (Continued)



Metal-Can High-Voltage/High-Current Transistors

Device Type	V(BR)CEO Volts Min	Ic mA Max	hFE @ Ic		VCE(sat) @ Ic & Ib			fT @ Ic	
			Min	mA	Volts Max	mA	mA	MHz Min	mA
Case 22-03 — TO-206AA (TO-18) — NPN									
2N6431	300	50	50	30	0.5	20	2.0	50	10
BSS73	300	500	40	30	1.0	50	5.0	50	20
Case 22-03 — TO-206AA (TO-18) — PNP									
BSS76	300	500	35	30	0.5	50	5.0	50	20
Case 79-04 — TO-205AD (TO-39) — PNP									
2N3637	175	1000	100	50	0.5	50	5.0	200	30



NJ Semi-Conductors reserves the right to change test conditions, parameter limits and package dimensions without notice. Information furnished by NJ Semi-Conductors is believed to be both accurate and reliable at the time of going to press. However NJ Semi-Conductors assumes no responsibility for any errors or omissions discovered in its use. NJ Semi-Conductors encourages customers to verify that datasheets are current before placing orders.