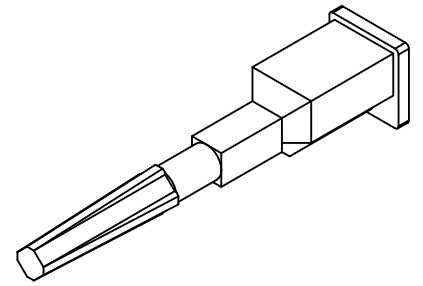


PART NO.	ENG. NO.	MATERIAL (SEE NOTE 1)	COLOR (SEE NOTE 1)
15-04-0211	42232-BA	B	A

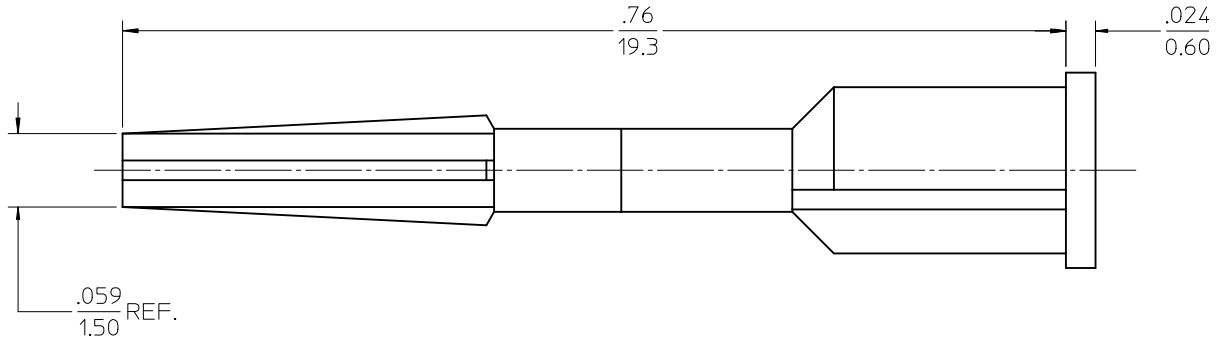
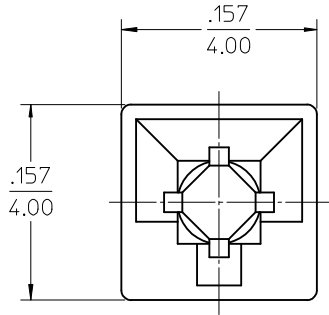
**LEGEND**

42232-\*\*\*

BASE NO. \_\_\_\_\_  
 MATERIAL \_\_\_\_\_  
 COLOR \_\_\_\_\_



ISO VIEW  
SCALE 5:1



**NOTES:**

1. MATERIAL: "B"=NYLON 6/6, UL 94V-0; COLOR: "A"=NATURAL
2. FINISH: NONE
3. PRODUCT SPECIFICATION: NONE
4. PACKAGING: PK-42232-001.
5. THIS PART FOR USE WITH MOLEX RECEPTACLE NO. 5557, 30067 AND 42474.
6. KEY TO BE INSERTED FROM WIRE ENTRY SIDE OF RECEPTACLE HOUSING.
7. PART CONFORMS TO CLASS "B" REQUIREMENTS OF COSMETIC SPECIFICATION PS-45499-002.

ADDED PK-42232-001 EC NO: UCP2010-2159 DRWN: J JAGUILAR 2010/02/25 CHKD: J BELL 2010/02/25 APPR: F SMITH 2010/03/08	DESCRIPTION 1	QUALITY SYMBOLS	GENERAL TOLERANCES (UNLESS SPECIFIED)	DIMENSION STYLE	SCALE	DESIGN UNITS	THIRD ANGLE PROJECTION
		▼=0 ▽=0	mm      INCH 4 PLACES ± --- ± --- 3 PLACES ± --- ± .010 2 PLACES ± 0.25 ± .015 1 PLACE ± 0.38 ± --- ANGULAR ± 1/2°	IN/MM DRAWN BY      DATE GEP              1992/03/31 CHECKED BY      DATE R J F              1992/03/31 APPROVED BY      DATE F SMITH              2010/03/08	10:1 METRIC	THIRD ANGLE PROJECTION	
		DRAFT WHERE APPLICABLE MUST REMAIN WITHIN DIMENSIONS	MATERIAL NO. SEE CHART	TITLE POLARIZING KEY FOR MINI-FIT JR. SERIES RECEPTACLE	MOLEX INCORPORATED		
		SIZE B	THIS DRAWING CONTAINS INFORMATION THAT IS PROPRIETARY TO MOLEX INCORPORATED AND SHOULD NOT BE USED WITHOUT WRITTEN PERMISSION	DOCUMENT NO. SD-42232-***	SHEET NO. 1 OF 1		