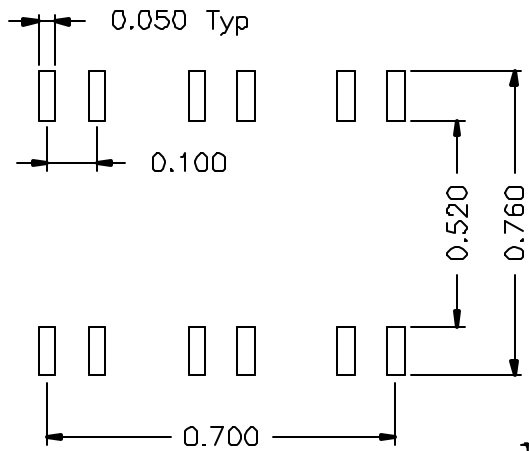
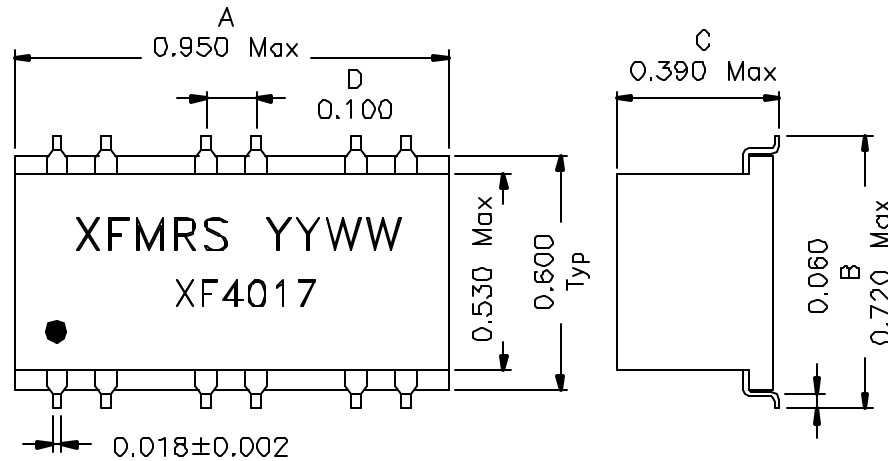
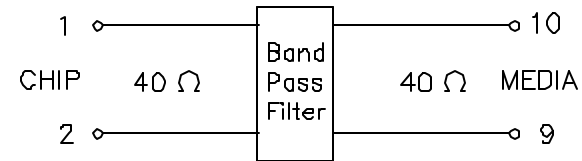


1. Dimensions:



SUGGESTED PCB LAYOUT

2. Schematic:



3. Electrical Specifications: @25°C

Passband: @900KHz-3MHz
 Insertion Loss: 0.8dB Max @900KHz-3MHz
 Return Loss: 10dB Min @900KHz-3MHz
 Stopband: 4.5MHz-7.9MHz
 Attenuation: 15dB Min

Note.

1. Solderability: Leads shall meet MIL-STD-202, Method 208D for solderability.
2. Flammability: UL94V-0,
3. ASTM oxygen index: > 28% ,
4. Temperature rating: 155°C. UL file E151556,
5. Operating Temperature Range: -40°C to +85°C

PRELIMINARY

DOC. REV: A/1

XFMR INC.	Title: BANDPASS FILTER	
	P/N: XF4017	REV. A
UNLESS OTHERWISE SPECIFIED TOLERANCES: .xxx ±0.010 Dimensions in Inch	DWN. 廖玉坤	Jan-04-01
	CHK. 李清儿	Jan-04-01
SHT 1 OF 2	APP. Joe Huff	Jan-04-01