

PLEASE CHECK WWW.MOLEX.COM FOR LATEST PART INFORMATION

Part Number: [0472720021](#)
Status: **Active**
Overview: [displayport](#)
Description: 0.50mm (.020") Pitch DisplayPort* Male Receptacle, Right Angle, SMT, Gold (Au) Flash Plating, 20 Circuits, without Cover, Flange, or Mylar; with Latch Holes, Peg and Solder Tab of Shell, Leadfree

Documents:

[3D Model](#) [RoHS Certificate of Compliance \(PDF\)](#)
[Drawing \(PDF\)](#)

Agency Certification

UL E29179

General

Product Family	I/O Connectors
Series	47272
Application	Wire-to-Board
Comments	With EMI Shield
Component Type	Receptacle
Overview	displayport
Product Name	DisplayPort*
Type	N/A
Physical	
Boot Color	N/A
Circuits (Loaded)	20
Circuits (maximum)	20
Color - Resin	Black
Flammability	94V-0
Gender	Male
Keying to Mating Part	Yes
Lock to Mating Part	Yes
Material - Metal	Copper Alloy
Material - Plating Mating	Gold
Material - Plating Termination	Tin-Bismuth
Material - Resin	High Temperature Thermoplastic
Number of Rows	2
Orientation	Right Angle
PCB Locator	Yes
PCB Retention	Yes
Packaging Type	Embossed Tape on Reel
Panel Mount	Without Flange
Pitch - Mating Interface (in)	0.039 In
Pitch - Mating Interface (mm)	0.50 mm
Pitch - Term. Interface (in)	0.039 In
Pitch - Term. Interface (mm)	0.50 mm
Plating min: Mating (µin)	2
Plating min: Mating (µm)	0.05
Plating min: Termination (µin)	40
Plating min: Termination (µm)	1
Polarized to Mating Part	Yes
Polarized to PCB	Yes
Ports	1
Temperature Range - Operating	-20°C to +85°C
Termination Interface: Style	Surface Mount



image - Reference only

Series

EU RoHS

**ELV and RoHS
Compliant**
**REACH SVHC
Not Reviewed**
**Halogen-Free
Status**

China RoHS



**Need more information on product
environmental compliance?**

Email productcompliance@molex.com
For a multiple part number RoHS Certificate of Compliance, [click here](#)

Please visit the [Contact Us](#) section for any non-product compliance questions.

Search Parts in this Series

[47272Series](#)

Mates With

[47271](#) Plug Sub-Assemblies, [68783](#) Cable Series

Waterproof / Dustproof No

Electrical

Current - Maximum per Contact 0.5A
Grounding to Panel Yes
Shielded Yes
Voltage - Maximum 40V AC

Material Info

Reference - Drawing Numbers

Packaging Specification PK-47272-001
Sales Drawing SD-47272-001

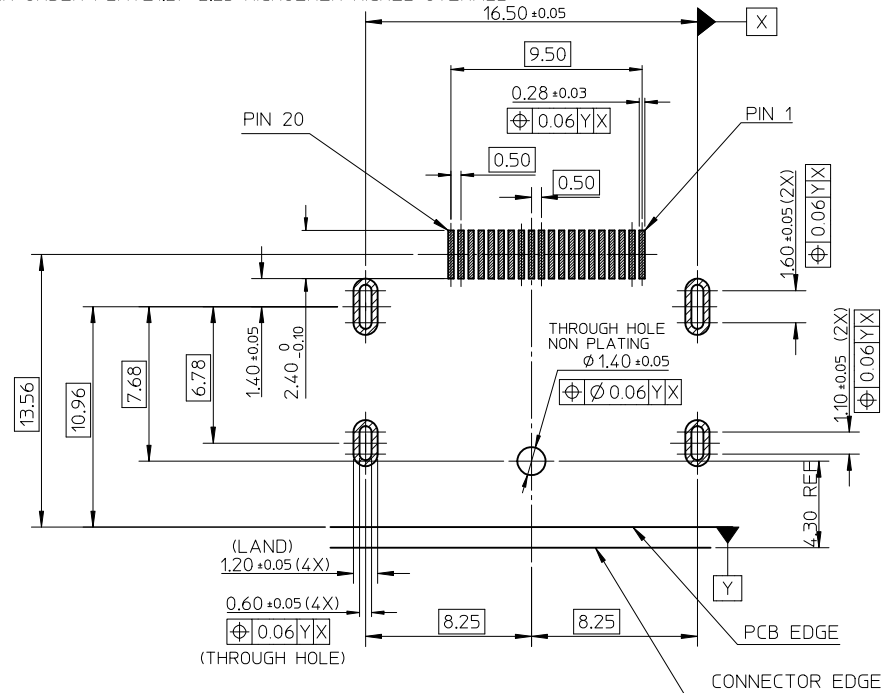
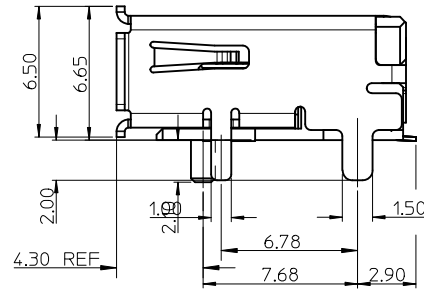
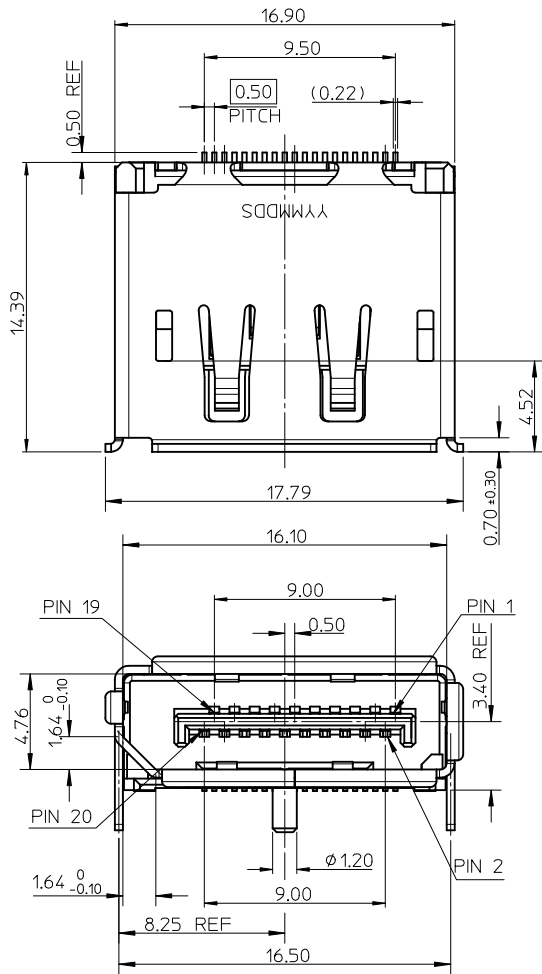
* DisplayPort is a Trademark of VESA

This document was generated on 05/19/2010

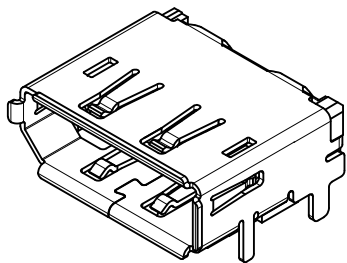
PLEASE CHECK WWW.MOLEX.COM FOR LATEST PART INFORMATION

NOTES:

1. MATERIAL:
 - HOUSING: HIGH TEMPERATURE THERMAL PLASTIC, BLACK, 30% GLASS FILLED, UL94V-0.
 - TERMINAL: COPPER ALLOY.
 - SHELL: COPPER ALLOY.
2. PLATING:
 - TERMINAL: CONTACT AREA(1)0.76 MICROMETER GOLD PLATING
 - (2)0.38 MICROMETER GOLD PLATING
 - (3)GOLD FLASH PLATING
 - (4)0.64MIN. MICROMETER PALLADIUM/NICKEL AND GOLD FLASH PLATING
 - AND SOLDER TAIL 1-3 MICROMETER TIN BISMUTH UNDER PLATE1-3 MICROMETER NICKEL PLATING OVERALL.
 - SHELL:(a)1.27-2.54 MICROETER SOLDERABLE NICKEL PLATING OVERALL.
 - (b)SHELL PEG SOLDERING SURFACE PLATE GOLD FLASH UNDER PLATE1-3 MICROMETER NICKEL PLATING OVERALL.
 - (c) SHELL PLATE 2.1~3.0 MICROMETER TIN UNDER PLATE1.27~2.25 MICROERER NICKEL OVERALL
3. SOLDERTAIL COPLANARITY 0.10 MAX.
4. PS REFER TO PS-47272-001



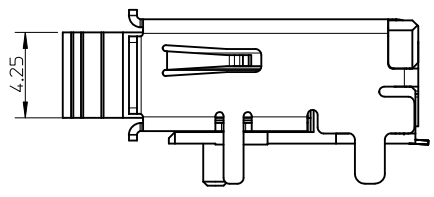
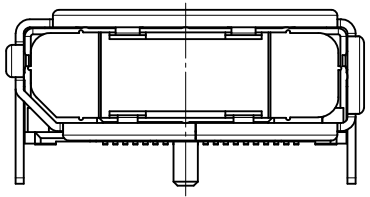
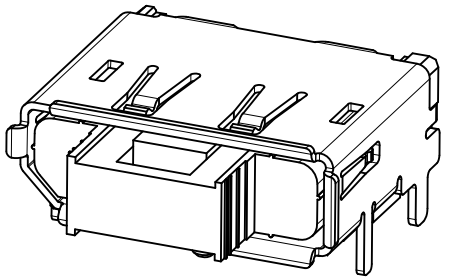
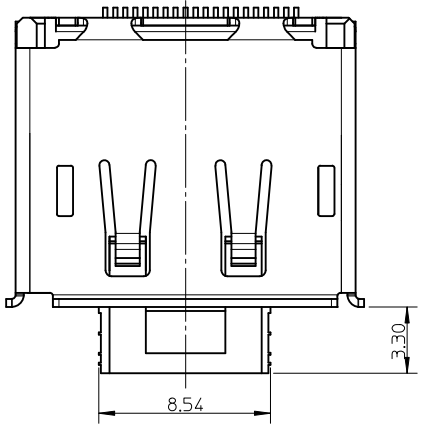
RECOMMENDED PCB LAYOUT (THICKNESS=1.6±0.15)



REVISED EC NO: SH2010-0353 DRWN:HE CHKD:FYANG05 APPR:RZHANG 2010/03/08 2010/03/24 2010/03/29	DESCRIPTION REV	QUALITY SYMBOLS	GENERAL TOLERANCES (UNLESS SPECIFIED)		DIMENSION STYLE	SCALE	DESIGN UNITS	THIRD ANGLE PROJECTION	
		$\nabla = 0$	mm	INCH	MM ONLY	1:1	METRIC		
		$\nabla = 0$	4 PLACES ± ---	± ---	DRAWN BY	DATE	TITLE	1.0MM PITCH DISPLAY PORT RECEPTACLE ASSEMBLY	
		$\nabla = 0$	3 PLACES ± ---	± ---	CHECKED BY	DATE	MOLEX INCORPORATED		
		2 PLACES ± 0.25	± 0.25	APPROVED BY	DATE	MATERIAL NO.	DOCUMENT NO.	SHEET NO.	
		1 PLACE ± 0.25	± ---	RZHANG	2010/03/26	SEE SHEETS 5	SD-47272-001	1 OF 8	
DRAFT WHERE APPLICABLE MUST REMAIN WITHIN DIMENSIONS			ANGULAR ± 3 °		THIS DRAWING CONTAINS INFORMATION THAT IS PROPRIETARY TO MOLEX INCORPORATED AND SHOULD NOT BE USED WITHOUT WRITTEN PERMISSION				

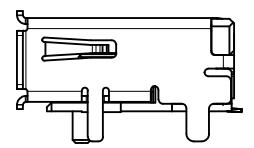
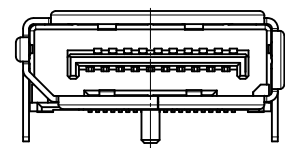
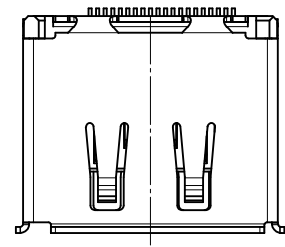
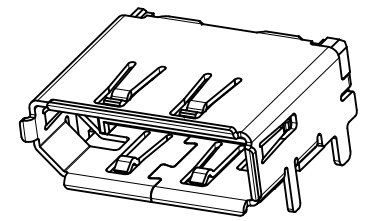
10 9 8 7 6 5 4 3 2 1

WITH COVER



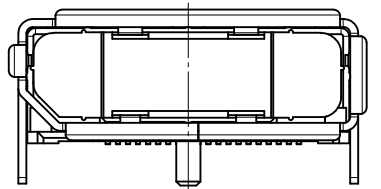
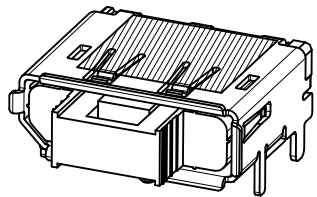
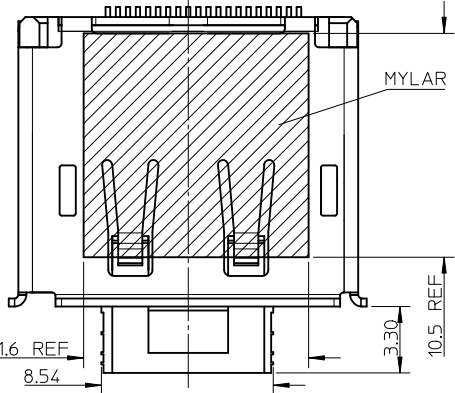
- NOTES:
 1.UNSPECIFIED DIMENSION ARE SAME AS SHEET1
 2.CONNECTOR WITH COVER IS USED FOR WARE SOLDERING PEG

WITHOUT LATCH HOLE



- NOTES:
 1.UNSPECIFIED DIMENSION ARE SAME AS SHEET1

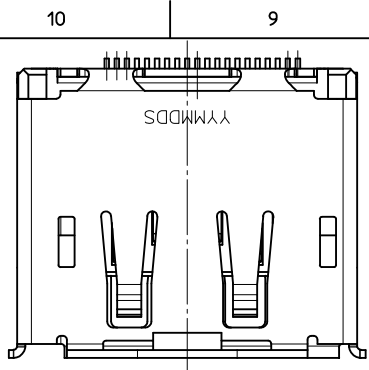
WITH COVER AND MYLAR



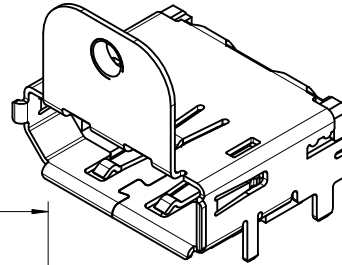
- NOTES:
 1.UNSPECIFIED DIMENSION ARE SAME AS SHEET1
 2.CONNECTOR WITH COVER IS USED FOR WARE SOLDERING PEG

REVISED EC NO: SH2010-0353 DRW:HHH 2010/03/08 CHK:D:YANG05 2010/03/24 APPR:RZHANG 2010/03/29	DESCRIPTION REV	QUALITY SYMBOLS	GENERAL TOLERANCES (UNLESS SPECIFIED)		DIMENSION STYLE	SCALE	DESIGN UNITS	THIRD ANGLE PROJECTION
		$\nabla_F=0$	mm	INCH	MM ONLY	1:1	METRIC	
		$\nabla_F=0$	4 PLACES ± ---	± ---	DRAWN BY	DATE	TITLE	
		$\nabla_F=0$	3 PLACES ± ---	± ---	RZHANG	2005/07/01	1.0MM PITCH DISPLAY PORT RECEPTACLE ASSEMBLY	
		2 PLACES ± 0.25	± ---	CHECKED BY	DATE			
		1 PLACE ± 0.25	± ---	IWANG	2005/07/01			
		ANGULAR ± 3 °		APPROVED BY	DATE	MOLEX INCORPORATED		
		DRAFT WHERE APPLICABLE MUST REMAIN WITHIN DIMENSIONS		RZHANG	2010/03/26	DOCUMENT NO.	SD-47272-001	SHEET NO.
				SEE SHEETS 5				2 OF 8
				THIS DRAWING CONTAINS INFORMATION THAT IS PROPRIETARY TO MOLEX INCORPORATED AND SHOULD NOT BE USED WITHOUT WRITTEN PERMISSION				

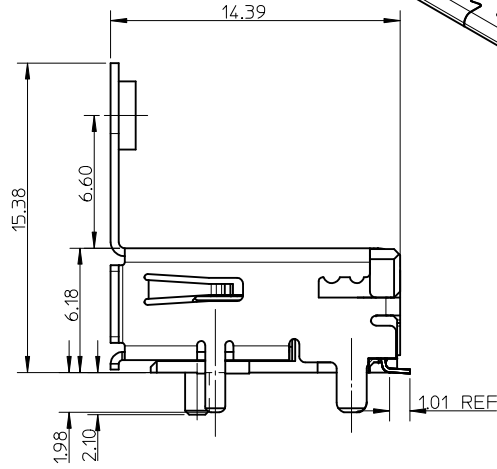
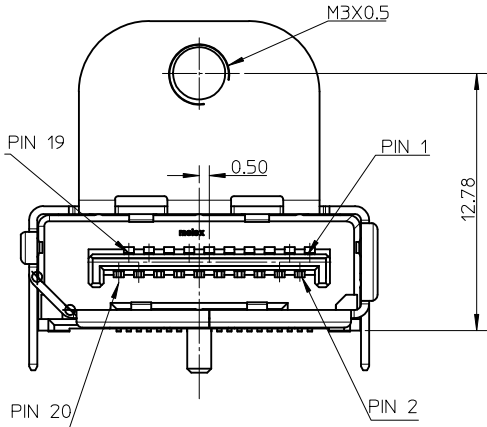
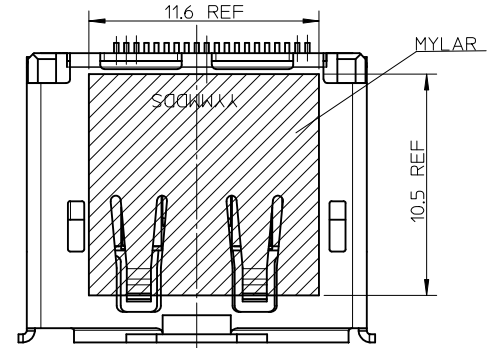
9 8 7 6 5 4 3 2 1



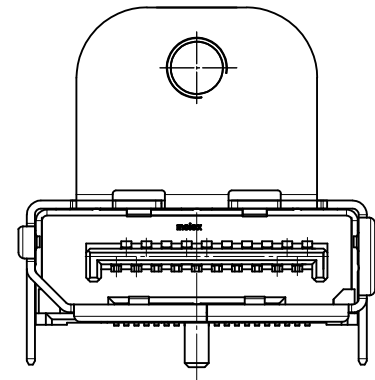
WITH FLANGE AND THROUGH HOLE PEG



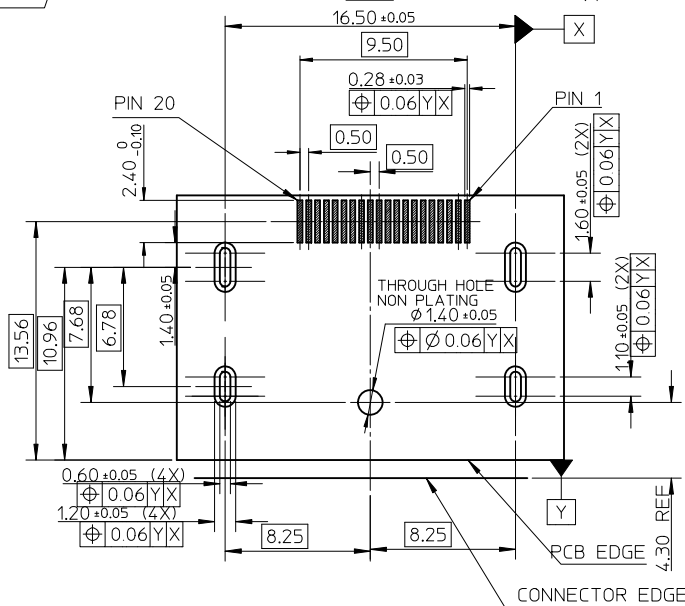
WITH MYLAR



NOTES:
UNSPECIFIED DIMENSION ARE SAME AS SHEET1

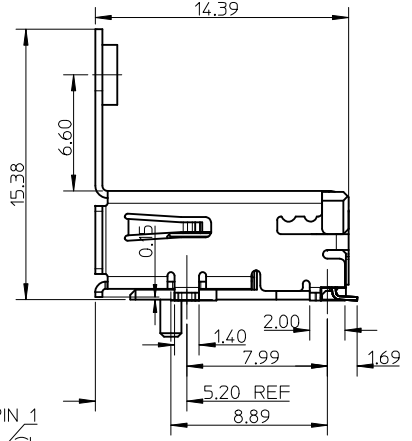
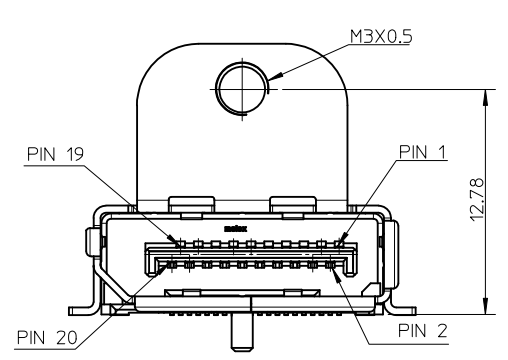
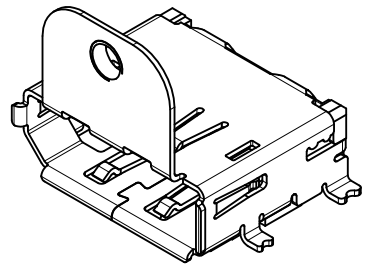
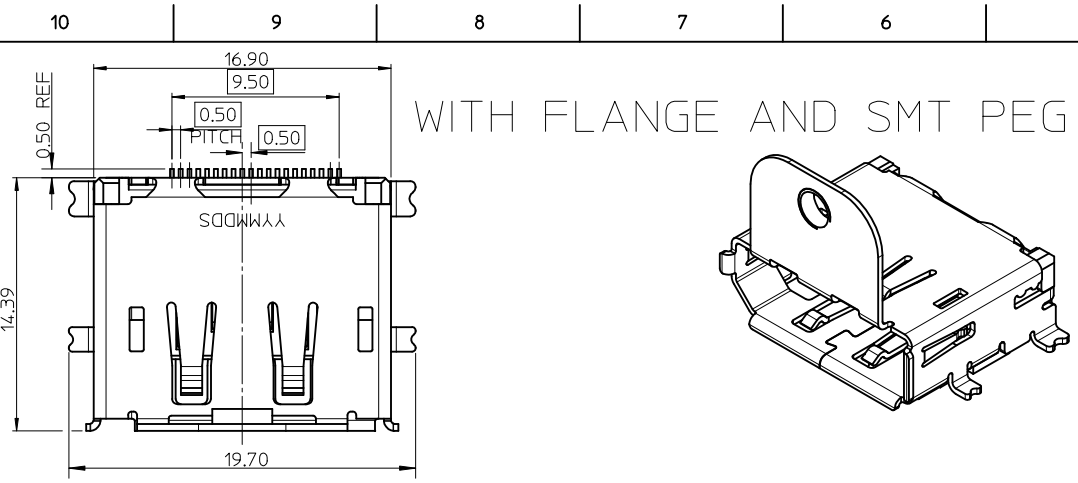


NOTES:
UNSPECIFIED DIMENSION ARE SAME AS SHEET1

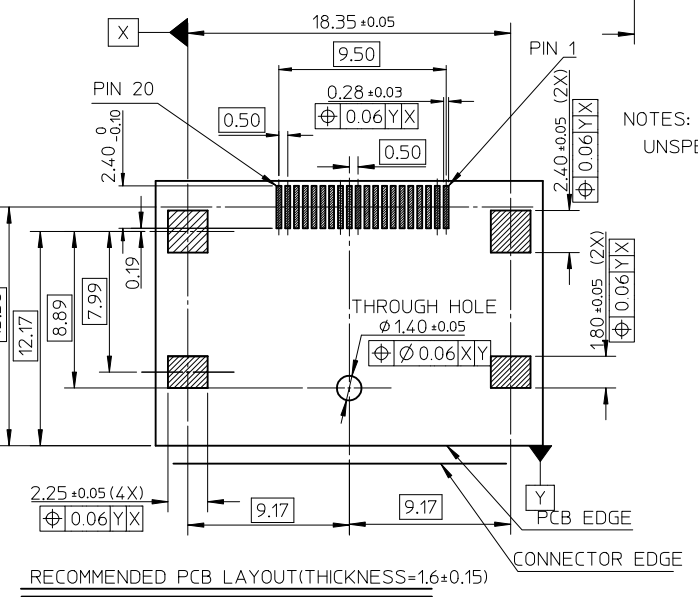


RECOMMENDED PCB LAYOUT (THICKNESS=1.6±0.15)

REVISED EC NO: SH2010-0353 DRWN: HHE CHKD: FYANG05 APPR: RZHANG	QUALITY SYMBOLS F=0 F=0 F=0	GENERAL TOLERANCES (UNLESS SPECIFIED)		DIMENSION STYLE MM ONLY		SCALE 1:1	DESIGN UNITS METRIC	THIRD ANGLE PROJECTION	
			mm	INCH	DRAWN BY RZHANG	DATE 2005/07/01	TITLE 1.0MM PITCH DISPLAY PORT RECEPTACLE ASSEMBLY		
		4 PLACES	± ---	± ---	CHECKED BY IWANG	DATE 2005/07/01	MATERIAL NO. SD-47272-001		
			3 PLACES	± ---	± ---	APPROVED BY RZHANG	DATE 2010/03/26	DOCUMENT NO. SD-47272-001	
			2 PLACES	± 0.25	± ---	MOLEX INCORPORATED			
			1 PLACE	± 0.25	± ---	SHEET NO. 3 OF 8			
			ANGULAR ± 3 °			SEE SHEETS 5			
			DRAFT WHERE APPLICABLE MUST REMAIN WITHIN DIMENSIONS			THIS DRAWING CONTAINS INFORMATION THAT IS PROPRIETARY TO MOLEX INCORPORATED AND SHOULD NOT BE USED WITHOUT WRITTEN PERMISSION			

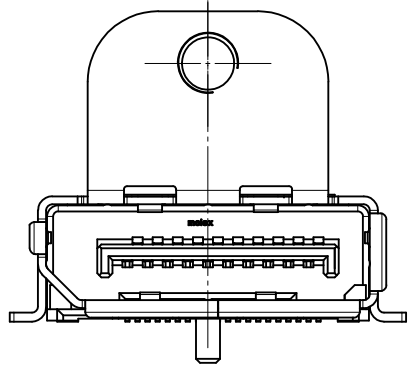
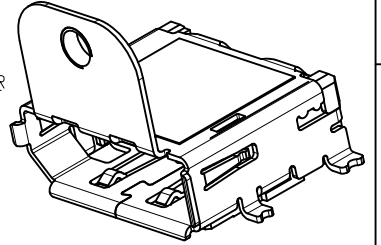
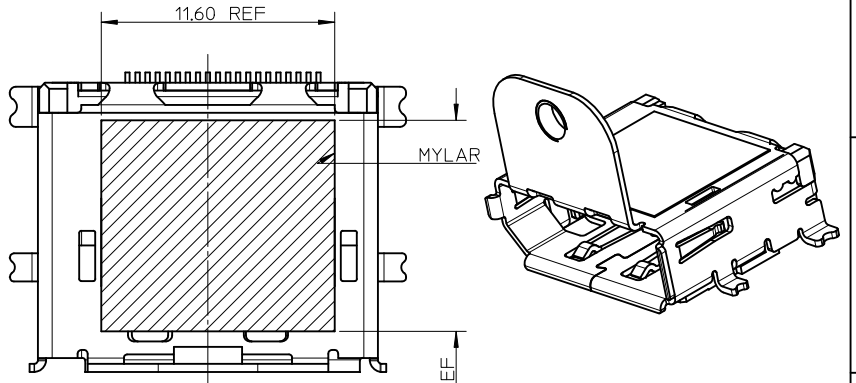


NOTES:
UNSPECIFIED DIMENSION ARE SAME AS SHEET1



RECOMMENDED PCB LAYOUT (THICKNESS=1.6±0.15)

WITH FLANGE AND MYLAR



NOTES:
1. UNSPECIFIED DIMENSION ARE SAME AS SHEET1
2. THE RECOMMENDER PCB ARE SAME AS LEFT RECOMMENDER PCB

REVISED IEC NO: SH2010-0353 DRW:HHHE 2010/03/08 CHK:DFYANG05 2010/03/24 APPR:RZHANG 2010/03/29 REV	QUALITY SYMBOLS $F_{\Delta}=0$ $F_{\square}=0$ $F_{\nabla}=0$	GENERAL TOLERANCES (UNLESS SPECIFIED)		DIMENSION STYLE MM ONLY	SCALE 1:1	DESIGN UNITS METRIC	THIRD ANGLE PROJECTION
		4 PLACES ± --- ± --- 3 PLACES ± --- ± --- 2 PLACES ± 0.25 ± --- 1 PLACE ± 0.25 ± ---	mm INCH	DRAWN BY: RZHANG DATE: 2005/07/01 CHECKED BY: IWANG DATE: 2005/07/01 APPROVED BY: RZHANG DATE: 2010/03/26	TITLE 1.0MM PITCH DISPLAY PORT RECEPTACLE ASSEMBLY		
		ANGULAR ± 3 °	MATERIAL NO.	MOLEX INCORPORATED	DOCUMENT NO. SD-47272-001		
		DRAFT WHERE APPLICABLE MUST REMAIN WITHIN DIMENSIONS	SIZE A3	THIS DRAWING CONTAINS INFORMATION THAT IS PROPRIETARY TO MOLEX INCORPORATED AND SHOULD NOT BE USED WITHOUT WRITTEN PERMISSION	SHEET NO. 4 OF 8		

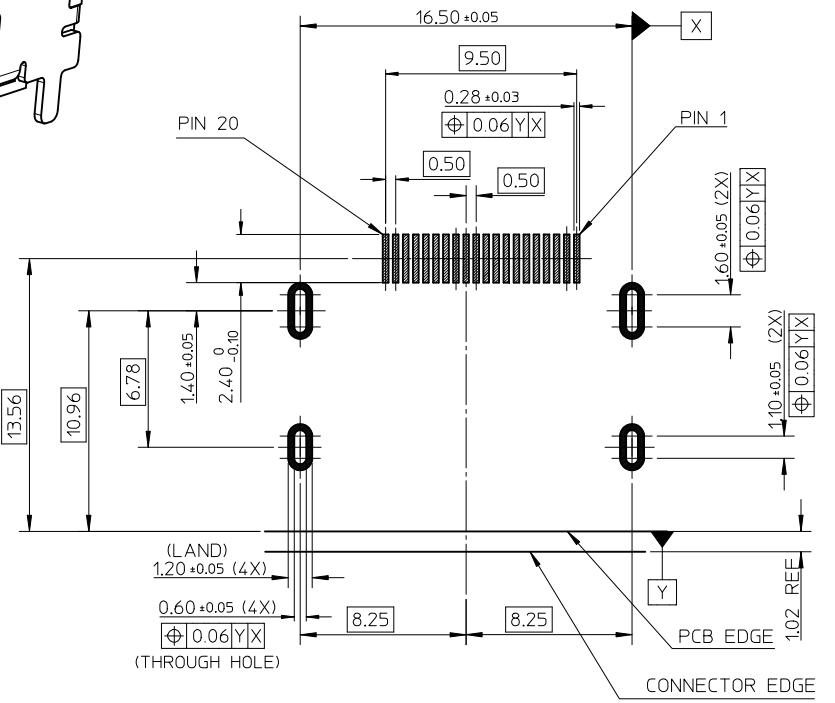
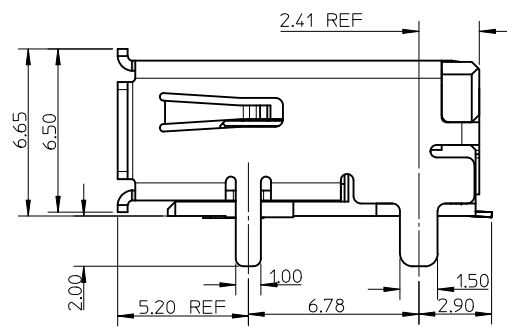
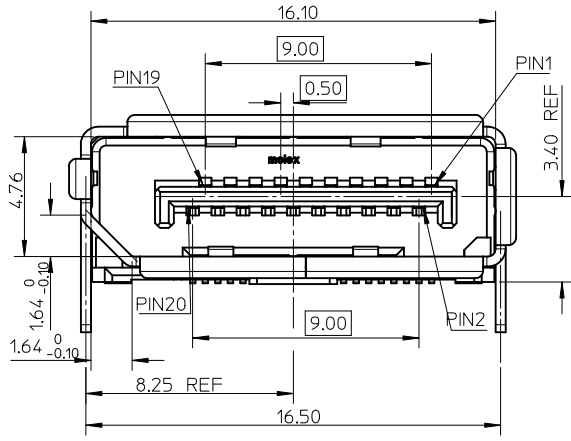
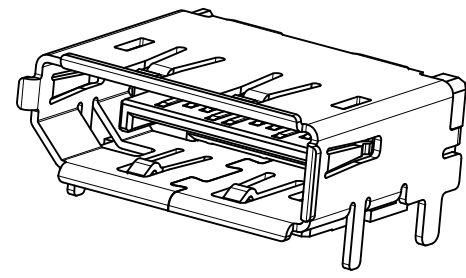
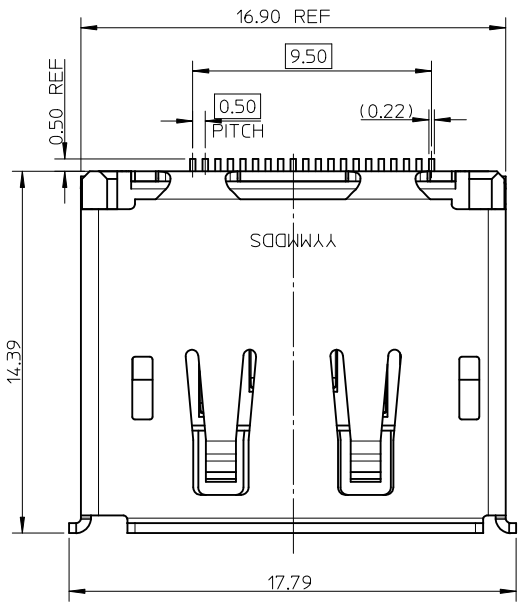
	10	9	8	7	6	5	4	3	2	1		
	ASSEMBLY NO.	WITH COVER	WITH FLANGE	SMT PEG OF SHELL	THROUGH HOLE PEG OF SHELL	PLATING IN CONTACT AREA	SHELL PLATING	WITH LATCH HOLE	MYLAR	POST	PACKAGE METHOD	REMARK
F	47272-0001	WITHOUT	WITHOUT	/	WITH	SEE NOTE2(1)	SEE NOTE2(a)	WITH	WITHOUT	WITH		FOR SHEET 1
	47272-0002	WITHOUT	WITHOUT	/	WITH	SEE NOTE2(1)	SEE NOTE2(a)	WITH	WITHOUT	WITH		
	47272-0011	WITHOUT	WITHOUT	/	WITH	SEE NOTE2(2)	SEE NOTE2(a)	WITH	WITHOUT	WITH		
	47272-0021	WITHOUT	WITHOUT	/	WITH	SEE NOTE2(3)	SEE NOTE2(a)	WITH	WITHOUT	WITH		
E	47272-0003	WITHOUT	WITHOUT	/	WITH	SEE NOTE2(1)	SEE NOTE2(a)	WITHOUT	WITHOUT	WITH		FOR SHEET 2
	47272-1002	WITH	WITHOUT	/	WITH	SEE NOTE2(1)	SEE NOTE2(a)	WITH	WITHOUT	WITH		
	47272-0012	WITH	WITHOUT	/	WITH	SEE NOTE2(2)	SEE NOTE2(a)	WITH	WITHOUT	WITH		
	47272-0022	WITH	WITHOUT	/	WITH	SEE NOTE2(3)	SEE NOTE2(a)	WITH	WITHOUT	WITH		
	47272-0024	WITH	WITHOUT	/	WITH	SEE NOTE2(1)	SEE NOTE2(a)	WITH	WITH	WITH		FOR SHEET 3
D	47272-0004	WITH	WITH	/	WITH	SEE NOTE2(1)	SEE NOTE2(c)	WITH	WITHOUT	WITH		
	47272-1004	WITHOUT	WITH	/	WITH	SEE NOTE2(1)	SEE NOTE2(c)	WITH	WITHOUT	WITH		
	47272-0025	WITHOUT	WITH	/	WITH	SEE NOTE2(1)	SEE NOTE2(c)	WITH	WITH	WITH		
	47272-0028	WITHOUT	WITH	/	WITH	SEE NOTE2(3)	SEE NOTE2(c)	WITH	WITH	WITH		FOR SHEET 4
C	47272-1005	WITHOUT	WITH	SMT PEG	/	SEE NOTE2(1)	SEE NOTE2(c)	WITH	WITHOUT	WITH		
	47272-0023	WITHOUT	WITH	SMT PEG	/	SEE NOTE2(1)	SEE NOTE2(c)	WITH	WITH	WITH		
	47272-0026	WITHOUT	WITHOUT	/	WITH	SEE NOTE2(1)	SEE NOTE2(a)	WITH	WITHOUT	WITHOUT		FOR SHEET 6
	47272-0027	WITH	WITH	/	WITH	SEE NOTE2(1)	SEE NOTE2(c)	WITH	WITH	WITH		FOR SHEET 7
	47272-0201	WITHOUT	WITHOUT	/	WITH	SEE NOTE2(4)	SEE NOTE2(a)	WITH	WITHOUT	WITH		FOR SHEET 1
	47272-0029	WITHOUT	WITHOUT	/	WITH	SEE NOTE2(1)	SEE NOTE2(a)	WITH	WITH	WITH		FOR SHEET 8

B

A	REVISED EC NO: SH2010-0353 DRW:HHH 2010/03/08 CHKD:FYANG05 2010/03/24 APPR:RZHANG 2010/03/29	DESCRIPTION REV	QUALITY SYMBOLS	GENERAL TOLERANCES (UNLESS SPECIFIED)	DIMENSION STYLE		SCALE	DESIGN UNITS	THIRD ANGLE PROJECTION			
			$F_V=0$		mm	INCH	1:1	METRIC	DRAWN BY DATE			
			$F_G=0$		4 PLACES ± --- ± ---		RZHANG 2005/07/01		TITLE		1.0MM PITCH DISPLAY PORT RECEPTACLE ASSEMBLY	
			$F_B=0$		3 PLACES ± --- ± ---		CHECKED BY DATE					
			2 PLACES ± 0.25 ± ---		IWANG 2005/07/01		MOLEX MOLEX INCORPORATED					
			1 PLACE ± 0.25 ± ---		APPROVED BY DATE		RZHANG 2010/03/26		DOCUMENT NO.	SHEET NO.		
			ANGULAR ± 3 °		MATERIAL NO.		SEE CHART		SD-47272-001	5 OF 8		
			DRAFT WHERE APPLICABLE MUST REMAIN WITHIN DIMENSIONS		SIZE		THIS DRAWING CONTAINS INFORMATION THAT IS PROPRIETARY TO MOLEX INCORPORATED AND SHOULD NOT BE USED WITHOUT WRITTEN PERMISSION					

10 9 8 7 6 5 4 3 2 1

WITHOUT POST

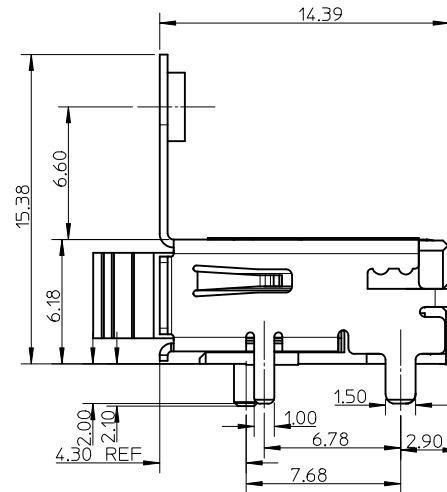
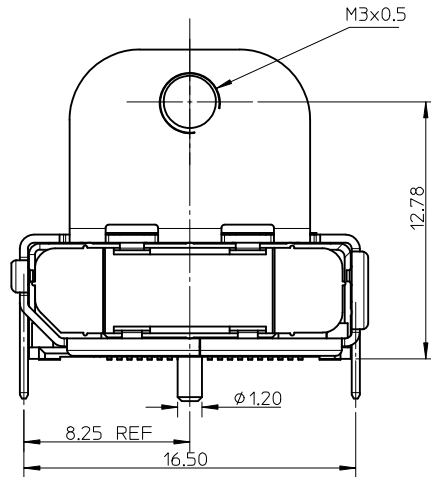
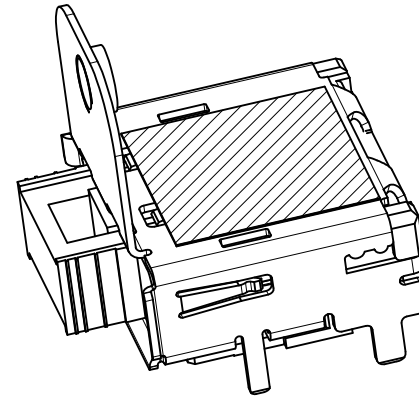
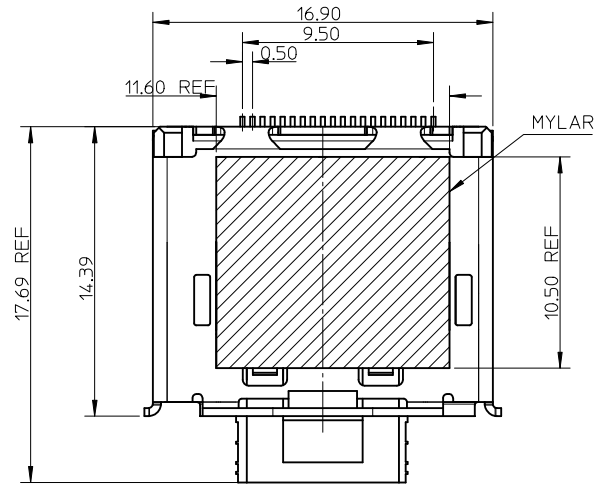


RECOMMENDED PCB LAYOUT (THICKNESS=1.6±0.15)

NOTES:
UNSPECIFIED DIMENSION ARE SAME AS SHEET1

REVISED EC NO: SH2010-0353 DRW: HHE CHKD: FYANG05 APPR: RZHANG	2010/03/08	QUALITY SYMBOLS ▽=0 ▽=0 ▽=0	GENERAL TOLERANCES (UNLESS SPECIFIED)		DIMENSION STYLE MM ONLY	SCALE 1:1	DESIGN UNITS METRIC	THIRD ANGLE PROJECTION		
	2010/03/24		mm	INCH	DRAWN BY RZHANG	DATE 2005/07/01	TITLE 1.0MM PITCH DISPLAY PORT RECEPTACLE ASSEMBLY			
	2010/03/29		4 PLACES ± --- ± ---	3 PLACES ± --- ± ---	2 PLACES ± 0.25 ± ---	1 PLACE ± 0.25 ± ---	CHECKED BY IWANG	DATE 2005/07/01	MOLEX INCORPORATED	
	ANGULAR ± 3 °		DRAFT WHERE APPLICABLE MUST REMAIN WITHIN DIMENSIONS		MATERIAL NO. SEE SHEETS 5	APPROVED BY RZHANG	DATE 2010/03/26	DOCUMENT NO. SD-47272-001	SHEET NO. 6 OF 8	

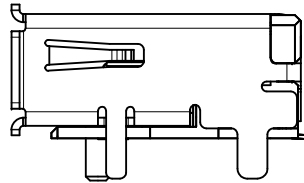
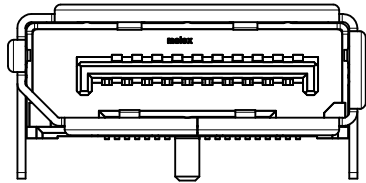
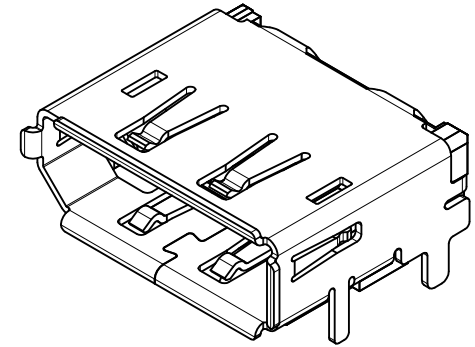
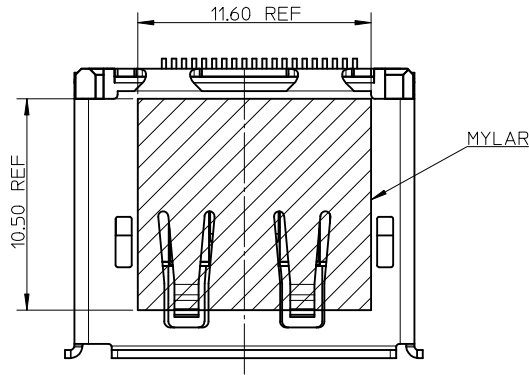
9 8 7 6 5 4 3 2 1



- NOTES:
1. UNSPECIFIC DIMENSION ARE SAME AS SHEET1
 2. THE RECOMMENDER PCB ARE SAME AS SHEET1

REVISED EC NO: SH2010-0353 DRW: HHE CHK: D-FYANG05 APP: RZHANG	REV DESCRIPTION 2010/03/08 2010/03/24 2010/03/29	QUALITY SYMBOLS	GENERAL TOLERANCES (UNLESS SPECIFIED)		DIMENSION STYLE	SCALE	DESIGN UNITS	THIRD ANGLE PROJECTION		
		$\nabla = 0$	mm	INCH	MM ONLY	1:1	METRIC			
		$\nabla = 0$	4 PLACES ± ---	± ---	DRAWN BY	DATE	TITLE			
		$\nabla = 0$	3 PLACES ± ---	± ---	RZHANG	2005/07/01	1.0MM PITCH DISPLAY PORT RECEPTACLE ASSEMBLY			
		2 PLACES ± 0.25	± ---	CHECKED BY	DATE	MOLEX INCORPORATED				
		1 PLACE ± 0.25	± ---	IWANG	2005/07/01					
		ANGULAR ± 3 °		APPROVED BY	DATE	SD-47272-001				
		DRAFT WHERE APPLICABLE MUST REMAIN WITHIN DIMENSIONS		RZHANG	2010/03/26					
				MATERIAL NO.	DOCUMENT NO.	SHEET NO.				
				SEE SHEETS 5		7 OF 8				
				SIZE A3	THIS DRAWING CONTAINS INFORMATION THAT IS PROPRIETARY TO MOLEX INCORPORATED AND SHOULD NOT BE USED WITHOUT WRITTEN PERMISSION					

STANDARD TYPE WITH MYLAR



NOTES:

- 1. UNSPECIFIC DIMENSION ARE SAME AS SHEET1
- 2. THE RECOMMENDER PCB ARE SAME AS SHEET1

REVISED EC NO: SH2010-0353 DRWN: HHE 2010/03/08 CHKD: FYANG05 2010/03/24 APPR: RZHANG 2010/03/29	DESCRIPTION REV	QUALITY SYMBOLS	GENERAL TOLERANCES (UNLESS SPECIFIED)		DIMENSION STYLE MM ONLY		SCALE 4:1	DESIGN UNITS METRIC	THIRD ANGLE PROJECTION																
		$\nabla = 0$ $\nabla = 0$ $\nabla = 0$	<table border="1"> <thead> <tr> <th></th> <th>mm</th> <th>INCH</th> </tr> </thead> <tbody> <tr> <td>4 PLACES</td> <td>± ---</td> <td>± ---</td> </tr> <tr> <td>3 PLACES</td> <td>± ---</td> <td>± ---</td> </tr> <tr> <td>2 PLACES</td> <td>± 0.25</td> <td>± ---</td> </tr> <tr> <td>1 PLACE</td> <td>± 0.25</td> <td>± ---</td> </tr> </tbody> </table>		mm	INCH	4 PLACES	± ---	± ---	3 PLACES	± ---	± ---	2 PLACES	± 0.25	± ---	1 PLACE	± 0.25	± ---	ANGULAR ± 3 °		DRAWN BY: RZHANG DATE: 2005/07/01	CHECKED BY: IWANG DATE: 2005/07/01	TITLE 1.0MM PITCH DISPLAY PORT RECEPTACLE ASSEMBLY		
			mm	INCH																					
		4 PLACES	± ---	± ---																					
3 PLACES	± ---	± ---																							
2 PLACES	± 0.25	± ---																							
1 PLACE	± 0.25	± ---																							
DRAFT WHERE APPLICABLE MUST REMAIN WITHIN DIMENSIONS		SEE SHEETS 5		APPROVED BY: RZHANG DATE: 2010/03/26		MOLEX INCORPORATED DOCUMENT NO. SD-47272-001																			
				MATERIAL NO.		SHEET NO.																			
				SIZE: A3		THIS DRAWING CONTAINS INFORMATION THAT IS PROPRIETARY TO MOLEX INCORPORATED AND SHOULD NOT BE USED WITHOUT WRITTEN PERMISSION																			