

7400 PIXELS CCD LINEAR IMAGE SENSOR

The μ PD3747 is a high-speed and high sensitive CCD (Charge Coupled Device) linear image sensor which changes optical images to electrical signal.

The μ PD3747 is a 2-output type CCD sensor with 2 rows of high-speed charge transfer register, which transfers the photo signal electrons of 7400 pixels separately in odd and even pixels. And it has reset feed-through level clamp circuits and voltage amplifiers. Therefore, it is suitable for 600 dpi/A3 high-speed digital copiers, multi-function products and so on.

FEATURES

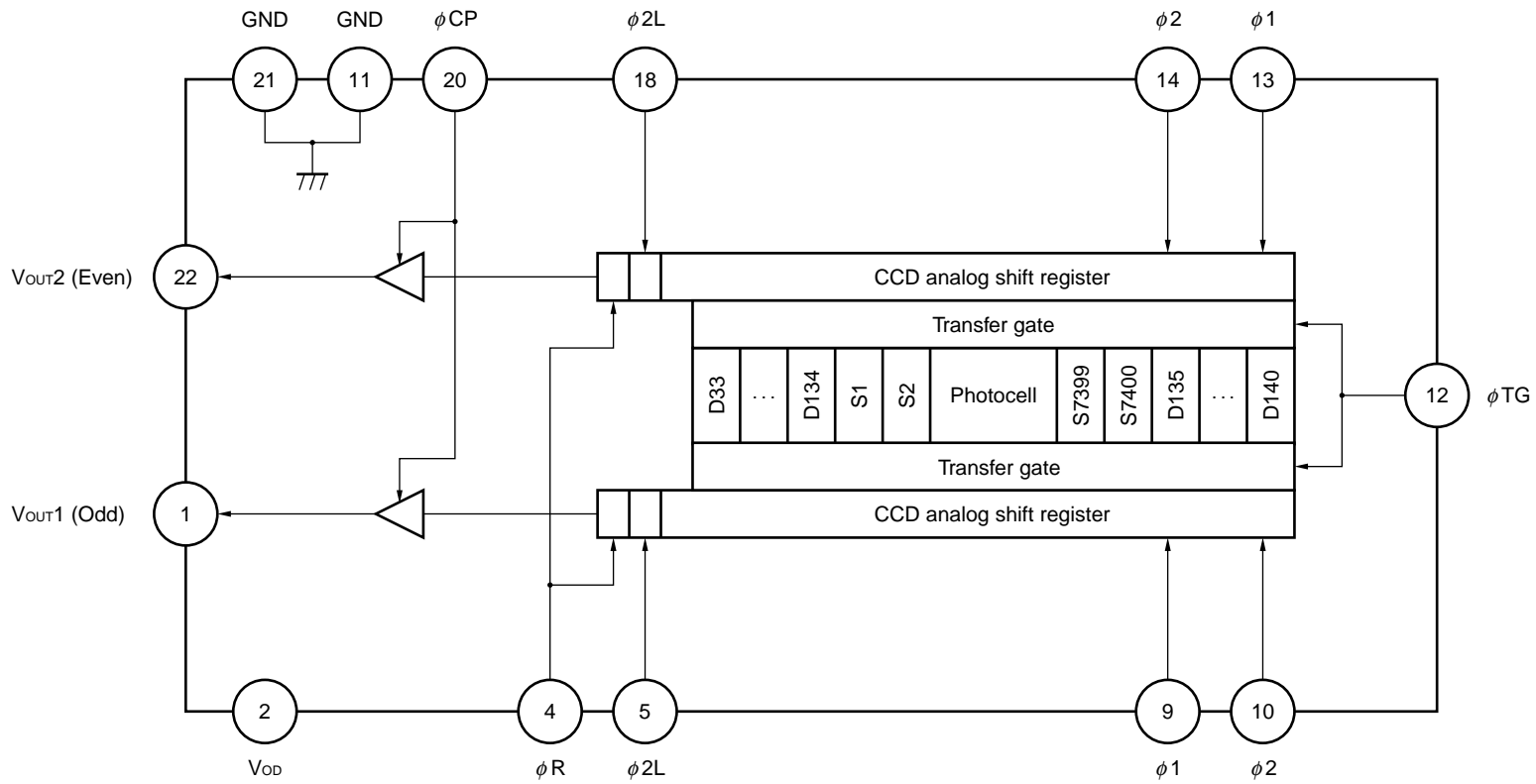
- Valid photocell : 7400 pixels
- Photocell pitch : 4.7 μ m
- Photocell size : 4.7 \times 4.7 μ m²
- Resolution : 24 dot/mm (600 dpi) A3 (297 \times 420 mm) size (shorter side)
- Data rate : 44 MHz MAX. (22 MHz/1 output)
- Output type : 2 outputs in phase
- High sensitivity : 19.0 V/lx \cdot s TYP. (Light source: Daylight color fluorescent lamp)
- Low image lag : 1 % MAX.
- Power supply : +12 V
- Drive clock level : CMOS output under 5 V operation
- On-chip circuits : Reset feed-through level clamp circuits
Voltage amplifiers

ORDERING INFORMATION

Part Number	Package
μ PD3747D	CCD linear image sensor 22-pin ceramic DIP (CERDIP) (10.16 mm (400))

The information in this document is subject to change without notice. Before using this document, please confirm that this is the latest version.
Not all devices/types available in every country. Please check with local NEC representative for availability and additional information.

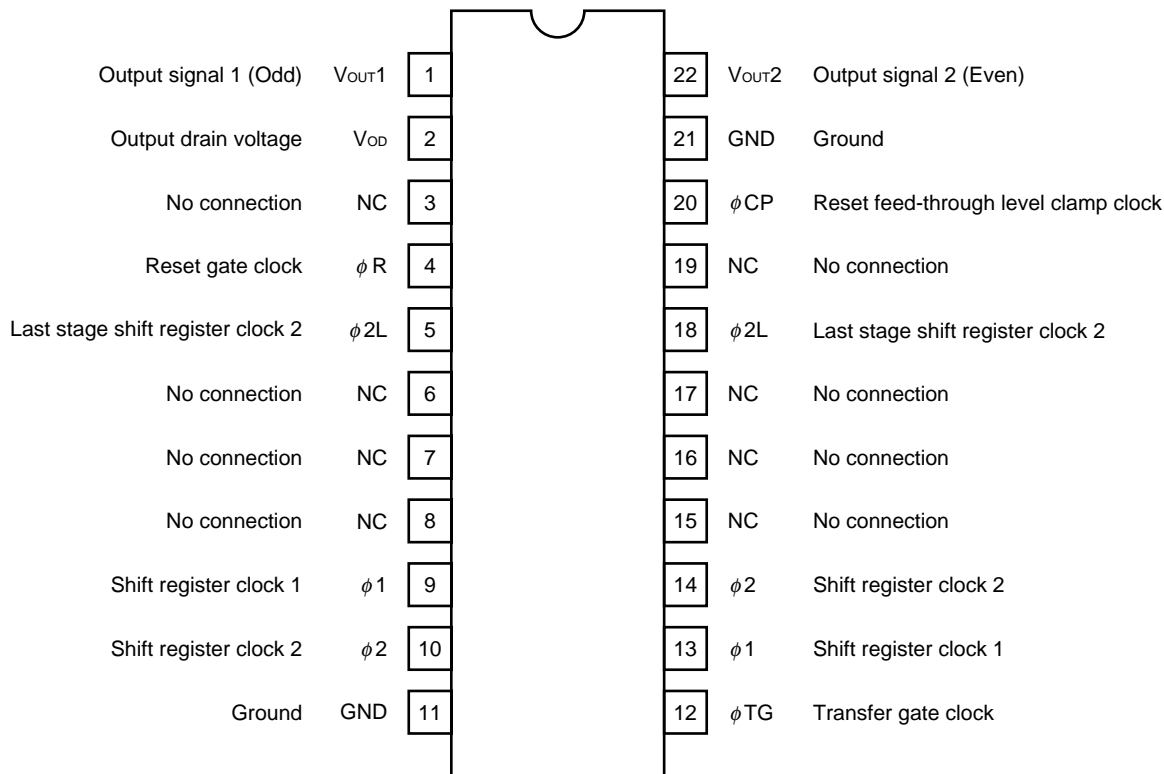
BLOCK DIAGRAM



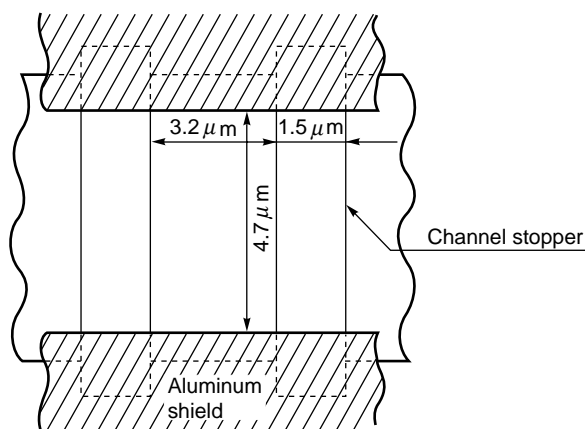
PIN CONFIGURATION (Top View)

CCD linear image sensor 22-pin ceramic DIP (CERDIP) (10.16 mm (400))

• μPD3747D



PHOTOCELL STRUCTURE DIAGRAM



ABSOLUTE MAXIMUM RATINGS (T_A = +25°C)

Parameter	Symbol	Ratings	Unit
Output drain voltage	V _{OD}	-0.3 to +14	V
Shift register clock voltage	V _{φ1} , V _{φ2} , V _{φ2L}	-0.3 to +8	V
Reset gate clock voltage	V _{φR}	-0.3 to +8	V
Reset feed-through level clamp clock voltage	V _{φCP}	-0.3 to +8	V
Transfer gate clock voltage	V _{φTG}	-0.3 to +8	V
Operating ambient temperature	T _A	-25 to +55	°C
Storage temperature	T _{stg}	-40 to +100	°C

Caution Exposure to **ABSOLUTE MAXIMUM RATINGS** for extended periods may affect device reliability; exceeding the ratings could cause permanent damage. The parameters apply independently.

RECOMMENDED OPERATING CONDITIONS (T_A = +25°C)

Parameter	Symbol	MIN.	TYP.	MAX.	Unit
Output drain voltage	V _{OD}	11.4	12.0	12.6	V
Shift register clock high level	V _{φ1H} , V _{φ2H} , V _{φ2LH}	4.5	5.0	5.5	V
Shift register clock low level	V _{φ1L} , V _{φ2L} , V _{φ2LL}	-0.3	0	+0.5	V
Reset gate clock high level	V _{φRH}	4.5	5.0	5.5	V
Reset gate clock low level	V _{φRL}	-0.3	0	+0.5	V
Reset feed-through level clamp clock high level	V _{φCPH}	4.5	5.0	5.5	V
Reset feed-through level clamp clock low level	V _{φCPL}	-0.3	0	+0.5	V
Transfer gate clock high level	V _{φTGH}	4.5	5.0	5.5	V
Transfer gate clock low level	V _{φTGL}	-0.3	0	+0.5	V
Data rate	2f _{φR}	1	2	44	MHz

ELECTRICAL CHARACTERISTICS

($T_A = +25^{\circ}\text{C}$, $V_{OD} = 12\text{ V}$, $f_{\phi R} = 1\text{ MHz}$, data rate = 2 MHz, storage time = 10 ms, input signal clock = 5 V_{p-p} ,
light source : 3200 K halogen lamp + C-500S (infrared cut filter, t = 1 mm) + HA-50 (heat absorbing filter, t = 3 mm))

Parameter	Symbol	Test Conditions	MIN.	TYP.	MAX.	Unit
Saturation voltage	V_{sat}		1.5	2.0	–	V
Saturation exposure	SE	Daylight color fluorescent lamp	–	0.10	–	$\text{lx}\cdot\text{s}$
Photo response non-uniformity	PRNU	$V_{OUT} = 500\text{ mV}$	–	5	10	%
Average dark signal	ADS	Light shielding	–	0.5	3.0	mV
Dark signal non-uniformity	DSNU	Light shielding	–	8.0	14.0	mV
Power consumption	P_w		–	350	600	mW
Output impedance	Z_o		–	0.2	0.3	$k\Omega$
Response	R_F	Daylight color fluorescent lamp	13.3	19.0	24.7	$\text{V}/\text{lx}\cdot\text{s}$
Image lag	IL	$V_{OUT} = 500\text{ mV}$	–	0.5	1.0	%
Offset level ^{Note 1}	V_{OS}		3.7	4.7	5.7	V
Output fall delay time ^{Note 2}	t_d	$V_{OUT} = 500\text{ mV}$	–	14	–	ns
Register imbalance	RI	$V_{OUT} = 500\text{ mV}$	0	1.0	4.0	%
Total transfer efficiency	TTE	$V_{OUT} = 1\text{ V}$, data rate = 44 MHz	94	98	–	%
Response peak			–	550	–	nm
Dynamic range	DR1	V_{sat}/DSNU	–	250	–	times
	DR2	$V_{sat}/\sigma\text{ bit}$	–	1000	–	times
Reset feed-through noise ^{Note 1}	RFTN	Light shielding	–300	+300	+900	mV
Random noise	$\sigma\text{ bit}$	Light shielding, bit clamp mode	–	2.0	–	mV
	$\sigma\text{ line}$	Light shielding, line clamp mode	–	8.0	–	mV
Shot noise	$\sigma\text{ shot}$	$V_{OUT} = 500\text{ mV}$, bit clamp mode	–	8.0	–	mV

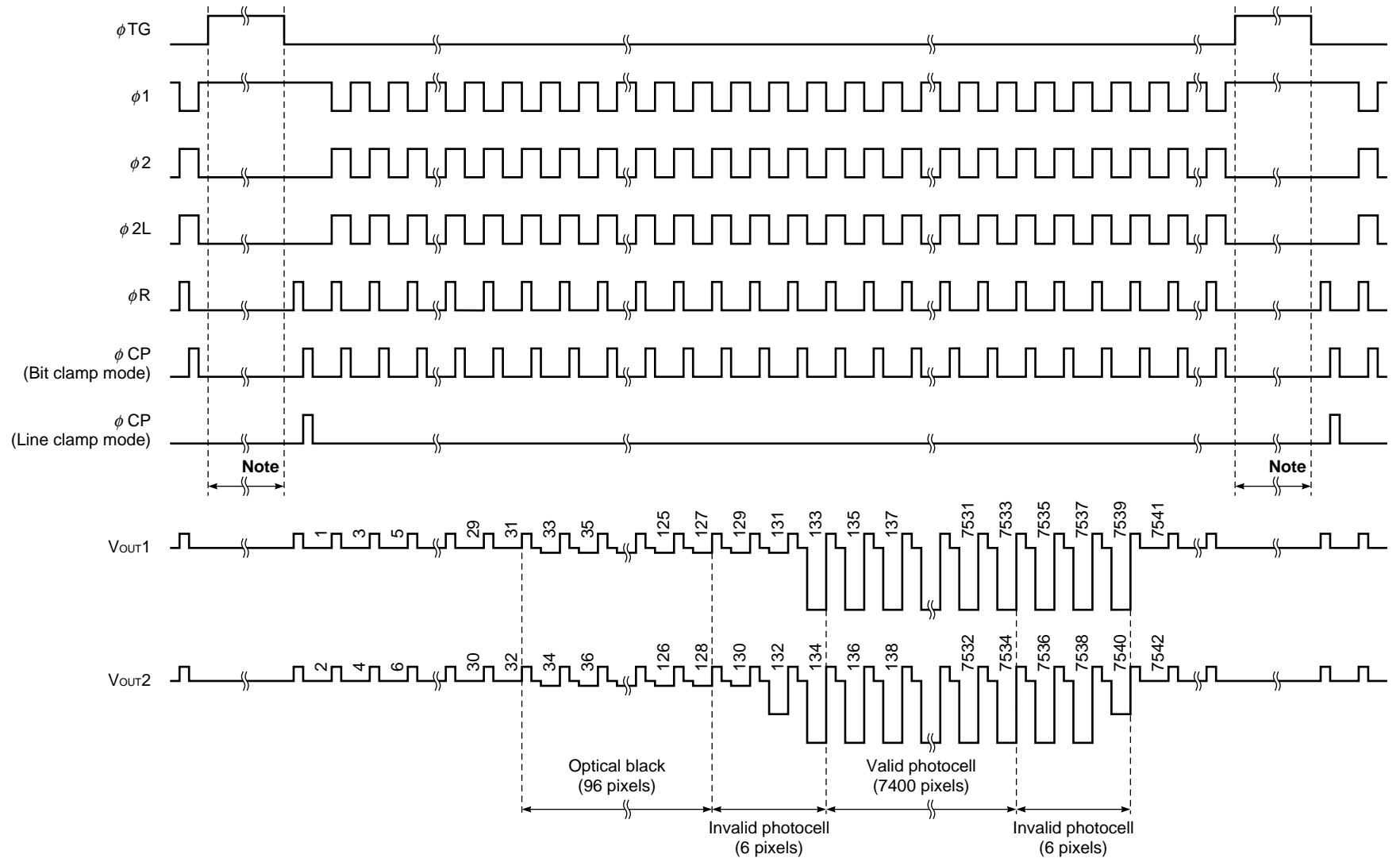
Notes 1. Refer to **TIMING CHART 2, 3.**

2. When the fall time of $\phi 2L$ (t_2') is the TYP. value (refer to **TIMING CHART 2, 3**). Note that V_{OUT1} and V_{OUT2} are the outputs of the two steps of emitter-follower shown in **APPLICATION CIRCUIT EXAMPLE.**

INPUT PIN CAPACITANCE (T_A = +25°C, V_{OD} = 12 V)

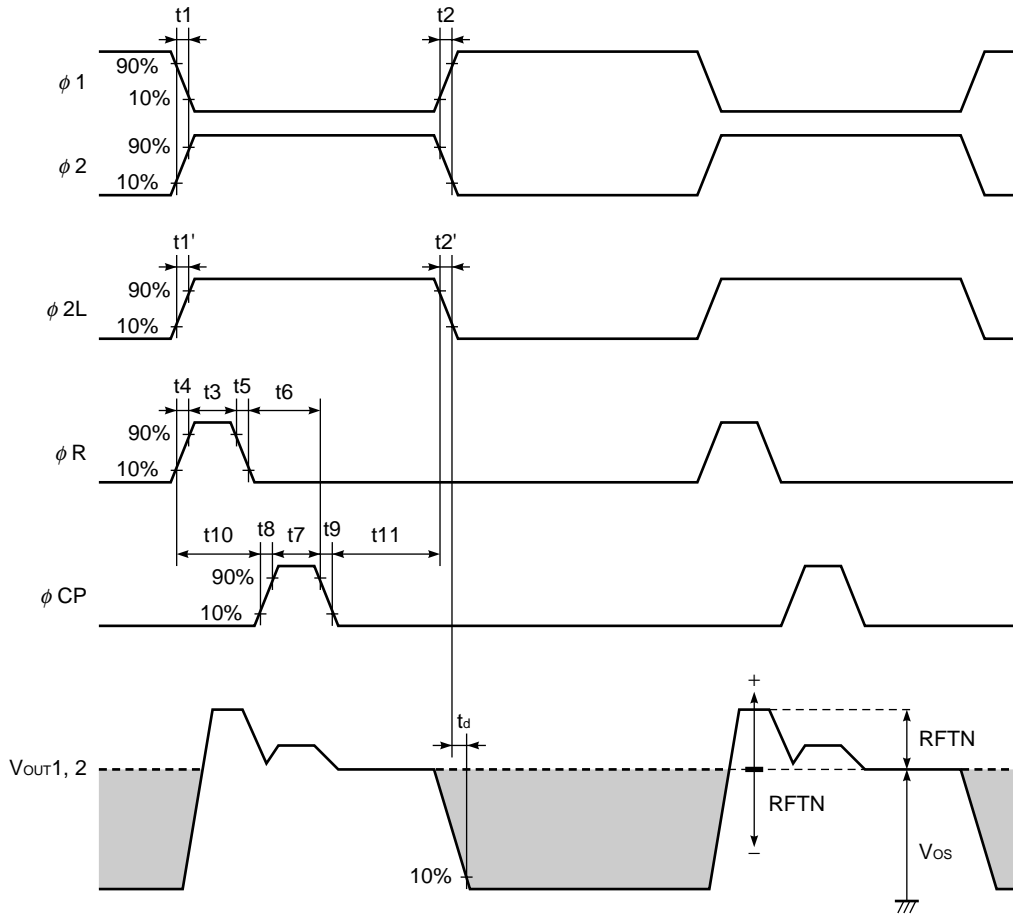
Parameter	Symbol	Pin name	Pin No.	MIN.	TYP.	MAX.	Unit
Shift register clock pin capacitance 1	C _{φ1}	φ 1	9	–	250	300	pF
			13	–	250	300	pF
Shift register clock pin capacitance 2	C _{φ2}	φ 2	10	–	250	300	pF
			14	–	250	300	pF
Last stage shift register clock pin capacitance	C _{φL}	φ 2L	5	–	10	20	pF
			18	–	10	20	pF
Reset gate clock pin capacitance	C _{φR}	φ R	4	–	10	20	pF
Reset feed-through level clamp clock pin capacitance	C _{φCP}	φ CP	20	–	10	20	pF
Transfer gate clock pin capacitance	C _{φTG}	φ TG	12	–	100	150	pF

TIMING CHART 1



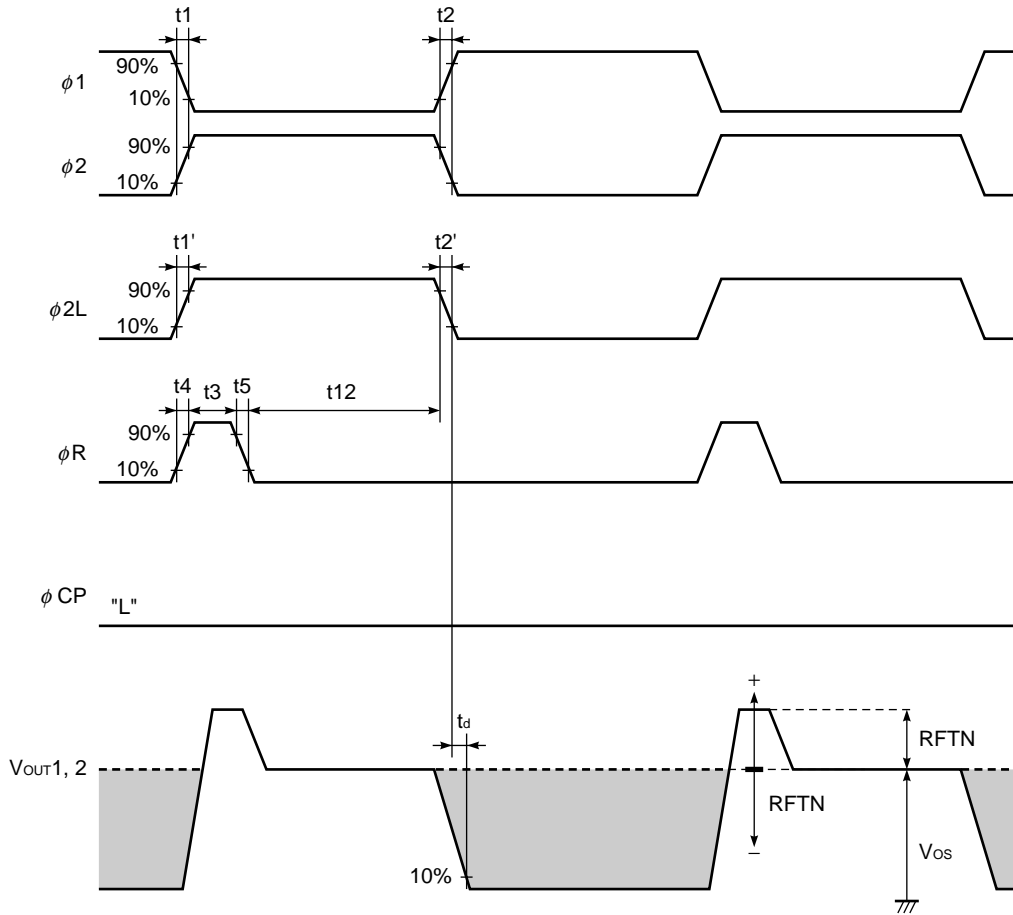
Note Set the ϕR and ϕCP to low level during this period.

TIMING CHART 2 (Bit clamp mode)



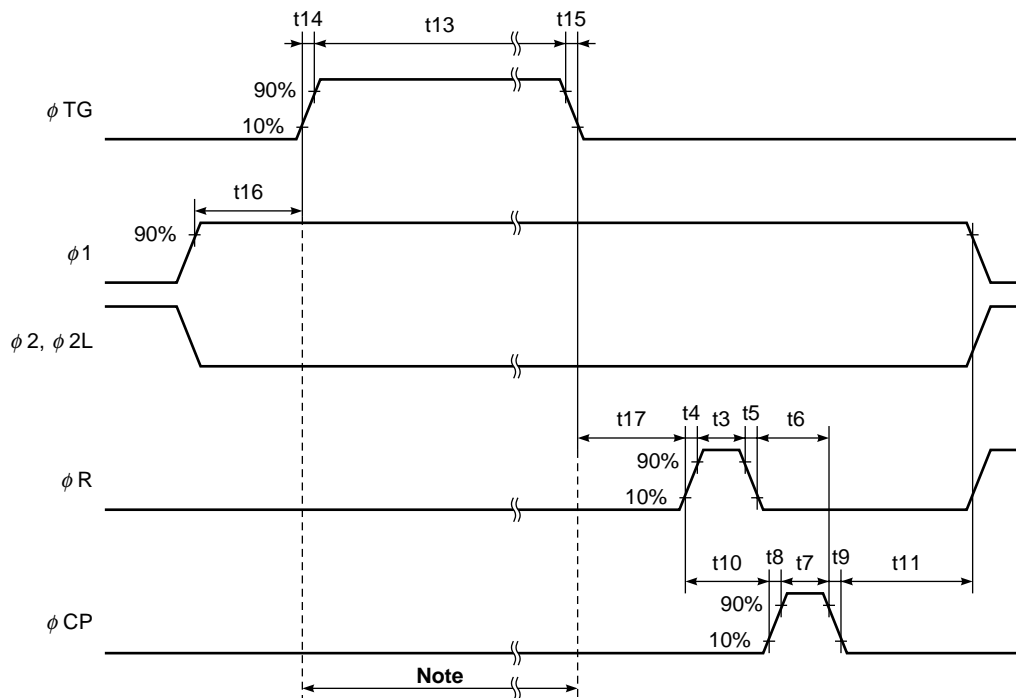
Symbol	MIN.	TYP.	MAX.	Unit
t1, t2	0	50	–	ns
t1', t2'	0	5	–	ns
t3	10	125	–	ns
t4, t5	0	5	–	ns
t6	0	125	–	ns
t7	5	125	–	ns
t8, t9	0	5	–	ns
t10	t3	125	–	ns
t11	0	250	–	ns

TIMING CHART 3 (Line clamp mode)



Symbol	MIN.	TYP.	MAX.	Unit
t_1, t_2	0	50	–	ns
t_1', t_2'	0	5	–	ns
t_3	10	125	–	ns
t_4, t_5	0	5	–	ns
t_{12}	5	250	–	ns

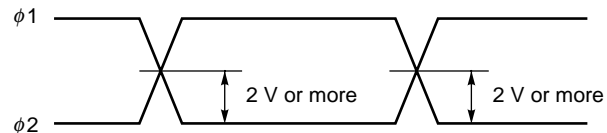
TIMING CHART 4 (Bit clamp mode, Line clamp mode)



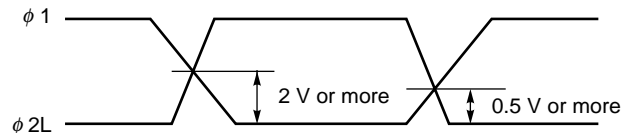
Note Set the ϕ R and ϕ CP to low level during this period.

Symbol	MIN.	TYP.	MAX.	Unit
t3	10	125	–	ns
t4, t5	0	5	–	ns
t6	0	125	–	ns
t7	5	125	–	ns
t8, t9	0	5	–	ns
t10	t3	125	–	ns
t11	0	250	–	ns
t13	1000	1500	–	ns
t14, t15	0	50	–	ns
t16, t17	200	300	–	ns

ϕ 1, ϕ 2 cross points



ϕ 1, ϕ 2L cross points



Remark Adjust cross points of (ϕ 1, ϕ 2) and (ϕ 1, ϕ 2L) with input resistance of each pin.

DEFINITIONS OF CHARACTERISTIC ITEMS

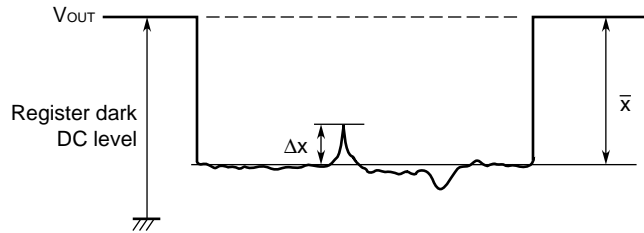
1. Saturation voltage : **V_{sat}**
Output signal voltage at which the response linearity is lost.
2. Saturation exposure : **SE**
Product of intensity of illumination (lx) and storage time (s) when saturation of output voltage occurs.
3. Photo response non-uniformity : **PRNU**
The output signal non-uniformity of all the valid pixels when the photosensitive surface is applied with the light of uniform illumination. This is calculated by the following formula.

$$PRNU (\%) = \frac{\Delta x}{\bar{x}} \times 100$$

Δx: maximum of $|x_j - \bar{x}|$

$$\bar{x} = \frac{\sum_{j=1}^{7400} x_j}{7400}$$

x_j: Output voltage of valid pixel number j



4. Average dark signal : **ADS**
Average output signal voltage of all the valid pixels at light shielding. This is calculated by the following formula.

$$ADS (mV) = \frac{\sum_{j=1}^{7400} d_j}{7400}$$

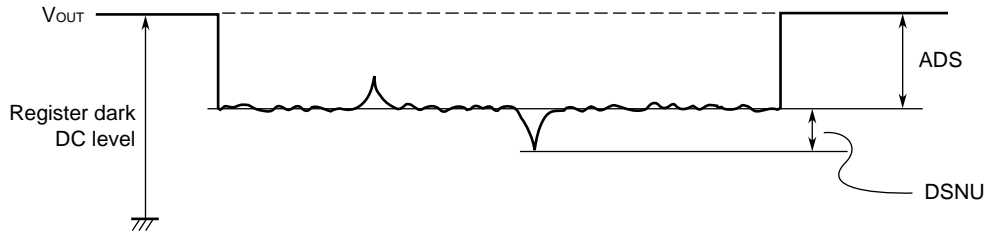
d_j: Dark signal of valid pixel number j

5. Dark signal non-uniformity : **DSNU**

Absolute maximum of the difference between ADS and voltage of the highest or lowest output pixel of all the valid pixels at light shielding. This is calculated by the following formula.

DSNU (mV): maximum of $|d_j - ADS|_{j=1 \text{ to } 7400}$

d_j : Dark signal of valid pixel number j



6. Output impedance : **Zo**

Impedance of the output pins viewed from outside.

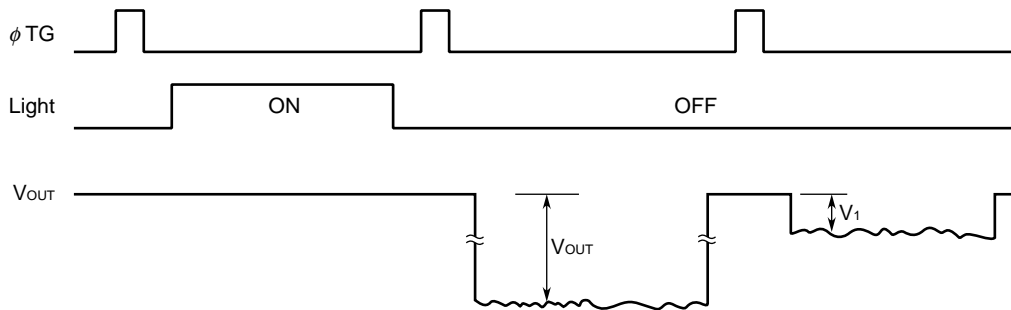
7. Response : **R**

Output voltage divided by exposure ($I \times s$).

Note that the response varies with a light source (spectral characteristic).

8. Image lag : **IL**

The rate between the last output voltage and the next one after read out the data of a line.



$$IL (\%) = \frac{V_1}{V_{OUT}} \times 100$$

9. Register imbalance : **RI**

The rate of the difference between the averages of the output voltage of Odd and Even pixels, against the average output voltage of all the valid pixels.

$$RI (\%) = \frac{\frac{2}{n} \left| \sum_{j=1}^{\frac{n}{2}} (V_{2j-1} - V_{2j}) \right|}{\frac{1}{n} \sum_{j=1}^n V_j} \times 100$$

n : Number of valid pixels

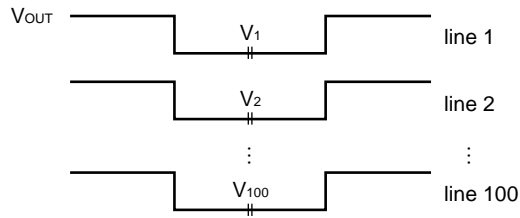
V_j : Output voltage of each pixel

10. Random noise : σ

Random noise σ is defined as the standard deviation of a valid pixel output signal with 100 times (= 100 lines) data sampling at dark (light shielding).

$$\sigma \text{ (mV)} = \sqrt{\frac{\sum_{i=1}^{100} (V_i - \bar{V})^2}{100}} \quad , \quad \bar{V} = \frac{1}{100} \sum_{i=1}^{100} V_i$$

V_i : A valid pixel output signal among all of the valid pixels



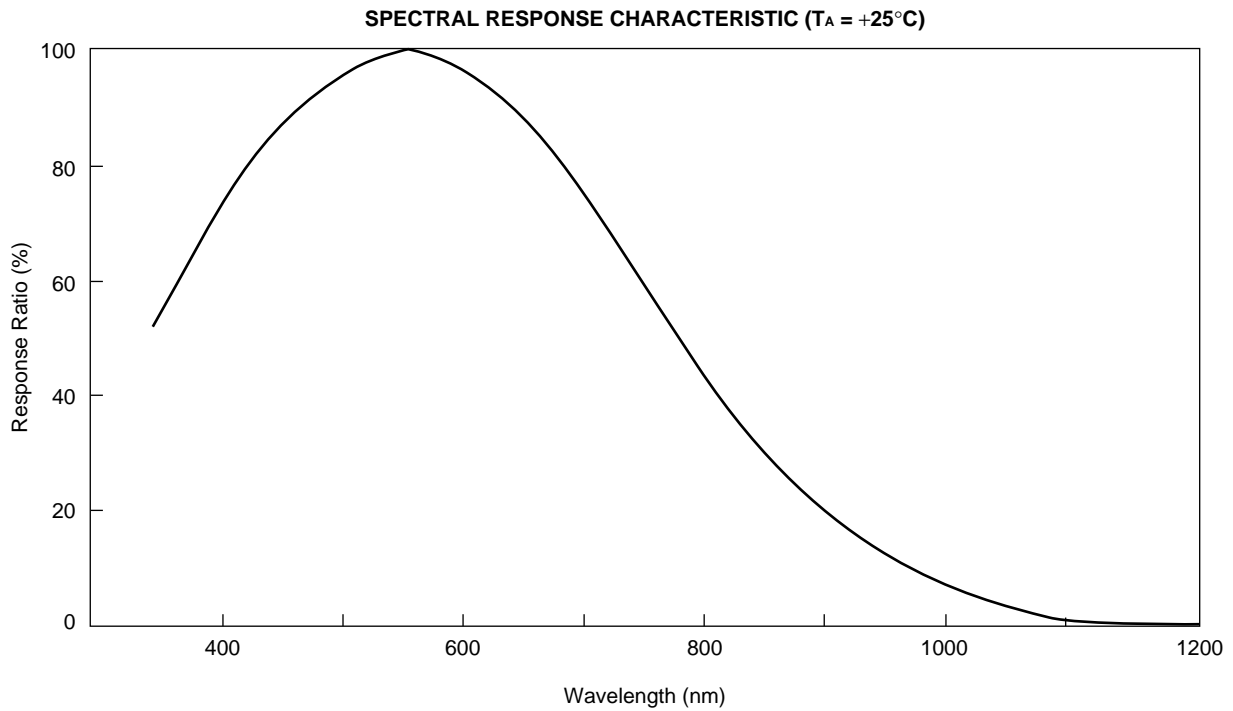
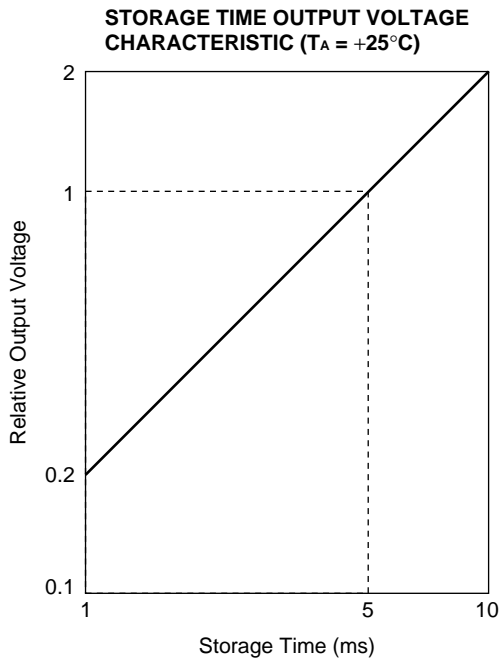
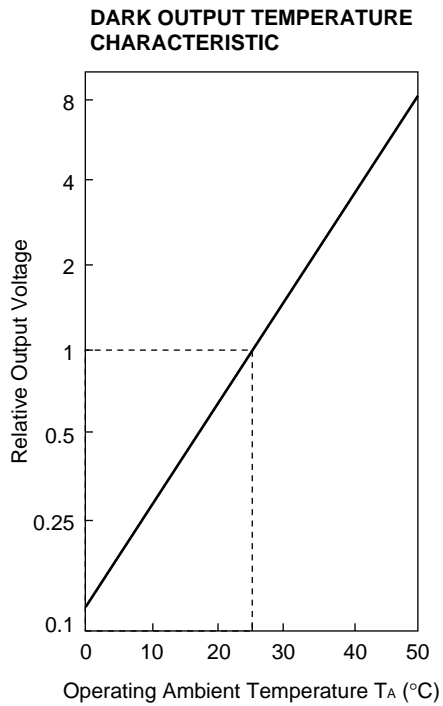
This is measured by the DC level sampling of only the signal level, not by CDS (Correlated Double Sampling).

11. Shot noise : σ_{shot}

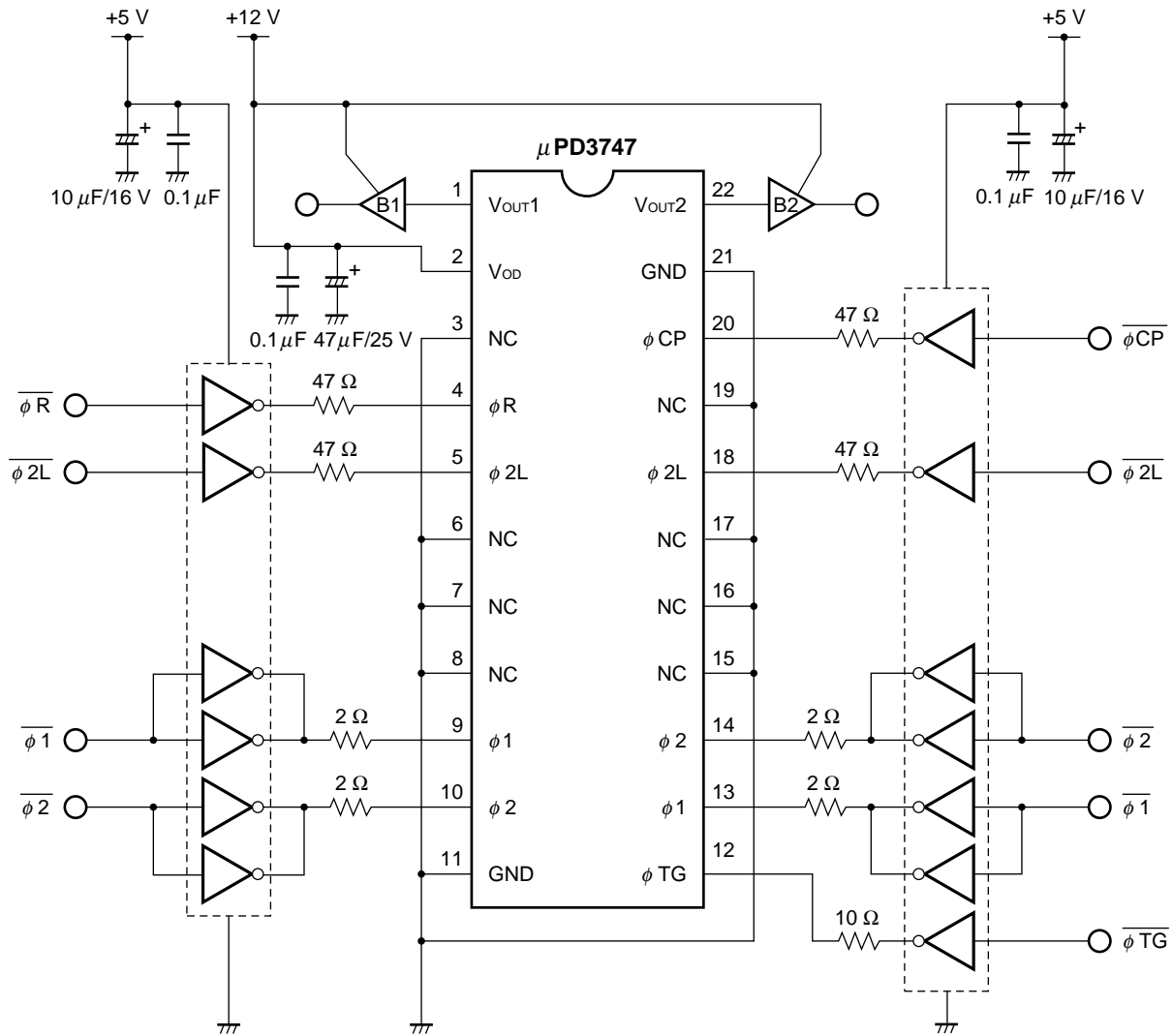
Shot noise is defined as the standard deviation of a valid pixel output signal with 100 times (= 100 lines) data sampling in the light. This includes the random noise.

The formula is the same with that of random noise.

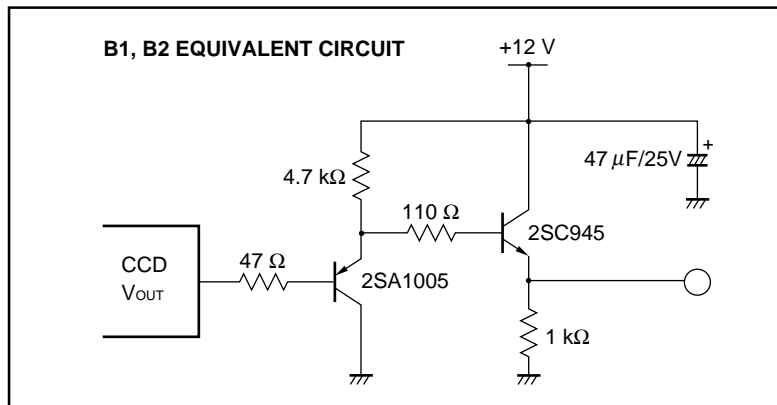
STANDARD CHARACTERISTIC CURVES (Nominal)



APPLICATION CIRCUIT EXAMPLE



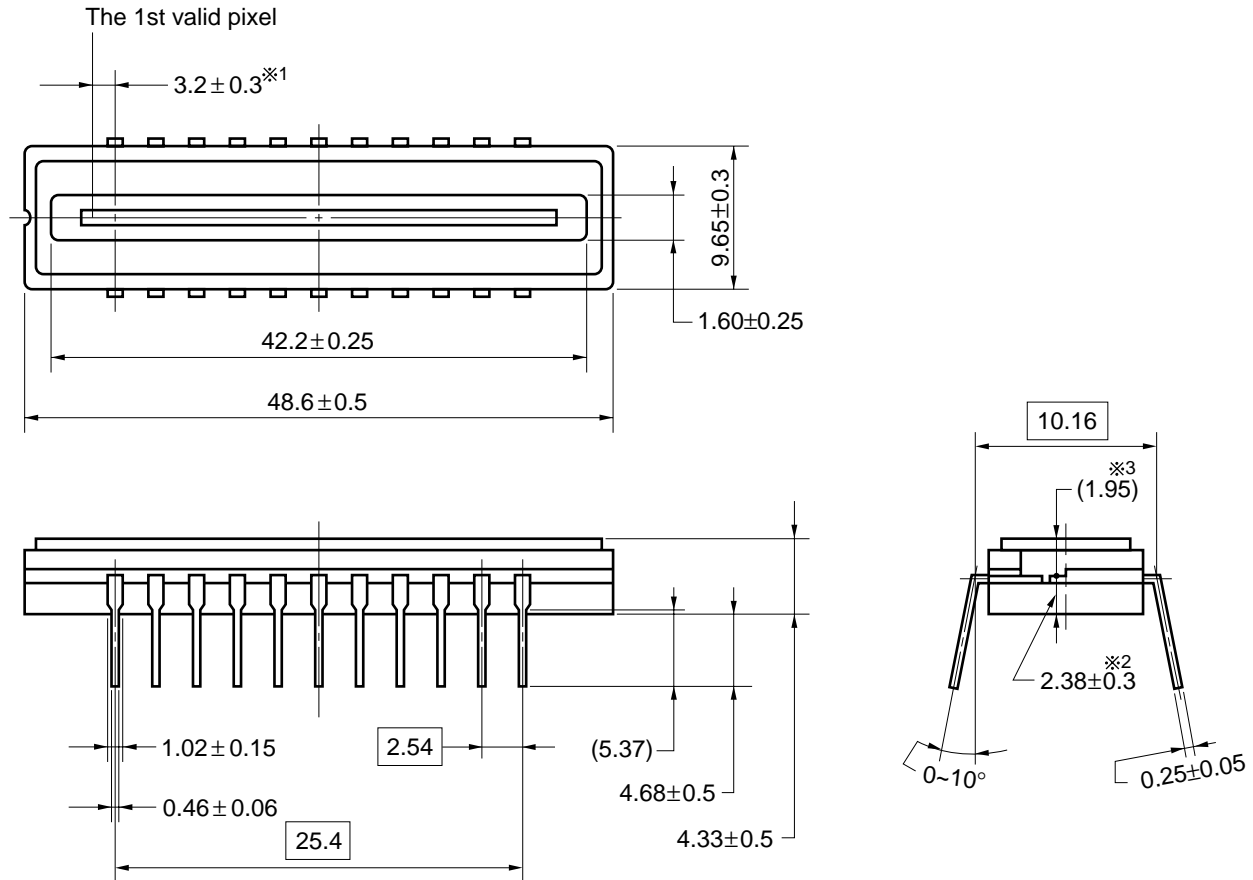
- Remarks 1.** It is recommended that pins 5 and 18 (ϕ 2L) are separately driven a driver other than that of pins 10, 14 (ϕ 2).
- 2.** The inverters shown in the above application circuit example are the 74AC04.



PACKAGE DRAWING

CCD LINEAR IMAGE SENSOR 22-PIN CERAMIC DIP (CERDIP) (10.16 mm (400))

(Unit : mm)



Name	Dimensions	Refractive index
Glass cap	47.5×9.25×0.7	1.5

- ※1 1st valid pixel ↔ Center of pin 1
- ※2 Photosensitive surface of CCD chip ↔ Bottom of package
- ※3 Photosensitive surface of CCD chip ↔ Top of glass cap

22D-1CCD-PKG10

RECOMMENDED SOLDERING CONDITIONS

When soldering this product, it is highly recommended to observe the conditions as shown below.

If other soldering processes are used, or if the soldering is performed under different conditions, please make sure to consult with our sales offices.

For more details, refer to our document “**Semiconductor Device Mounting Technology Manual**” (C10535E).

Type of Through-hole Device

μPD3747D : CCD linear image sensor 22-pin ceramic DIP (CERDIP) (10.16 mm (400))

Process	Conditions
Partial heating method	Pin temperature : 300°C or below, Heat time : 3 seconds or less (per pin)

[MEMO]

NOTES FOR CMOS DEVICES**① PRECAUTION AGAINST ESD FOR SEMICONDUCTORS**

Note:

Strong electric field, when exposed to a MOS device, can cause destruction of the gate oxide and ultimately degrade the device operation. Steps must be taken to stop generation of static electricity as much as possible, and quickly dissipate it once, when it has occurred. Environmental control must be adequate. When it is dry, humidifier should be used. It is recommended to avoid using insulators that easily build static electricity. Semiconductor devices must be stored and transported in an anti-static container, static shielding bag or conductive material. All test and measurement tools including work bench and floor should be grounded. The operator should be grounded using wrist strap. Semiconductor devices must not be touched with bare hands. Similar precautions need to be taken for PW boards with semiconductor devices on it.

② HANDLING OF UNUSED INPUT PINS FOR CMOS

Note:

No connection for CMOS device inputs can be cause of malfunction. If no connection is provided to the input pins, it is possible that an internal input level may be generated due to noise, etc., hence causing malfunction. CMOS devices behave differently than Bipolar or NMOS devices. Input levels of CMOS devices must be fixed high or low by using a pull-up or pull-down circuitry. Each unused pin should be connected to V_{DD} or GND with a resistor, if it is considered to have a possibility of being an output pin. All handling related to the unused pins must be judged device by device and related specifications governing the devices.

③ STATUS BEFORE INITIALIZATION OF MOS DEVICES

Note:

Power-on does not necessarily define initial status of MOS device. Production process of MOS does not define the initial operation status of the device. Immediately after the power source is turned ON, the devices with reset function have not yet been initialized. Hence, power-on does not guarantee out-pin levels, I/O settings or contents of registers. Device is not initialized until the reset signal is received. Reset operation must be executed immediately after power-on for devices having reset function.

- **The information in this document is current as of May, 2000. The information is subject to change without notice. For actual design-in, refer to the latest publications of NEC's data sheets or data books, etc., for the most up-to-date specifications of NEC semiconductor products. Not all products and/or types are available in every country. Please check with an NEC sales representative for availability and additional information.**
 - No part of this document may be copied or reproduced in any form or by any means without prior written consent of NEC. NEC assumes no responsibility for any errors that may appear in this document.
 - NEC does not assume any liability for infringement of patents, copyrights or other intellectual property rights of third parties by or arising from the use of NEC semiconductor products listed in this document or any other liability arising from the use of such products. No license, express, implied or otherwise, is granted under any patents, copyrights or other intellectual property rights of NEC or others.
 - Descriptions of circuits, software and other related information in this document are provided for illustrative purposes in semiconductor product operation and application examples. The incorporation of these circuits, software and information in the design of customer's equipment shall be done under the full responsibility of customer. NEC assumes no responsibility for any losses incurred by customers or third parties arising from the use of these circuits, software and information.
 - While NEC endeavours to enhance the quality, reliability and safety of NEC semiconductor products, customers agree and acknowledge that the possibility of defects thereof cannot be eliminated entirely. To minimize risks of damage to property or injury (including death) to persons arising from defects in NEC semiconductor products, customers must incorporate sufficient safety measures in their design, such as redundancy, fire-containment, and anti-failure features.
 - NEC semiconductor products are classified into the following three quality grades:
"Standard", "Special" and "Specific". The "Specific" quality grade applies only to semiconductor products developed based on a customer-designated "quality assurance program" for a specific application. The recommended applications of a semiconductor product depend on its quality grade, as indicated below. Customers must check the quality grade of each semiconductor product before using it in a particular application.
"Standard": Computers, office equipment, communications equipment, test and measurement equipment, audio and visual equipment, home electronic appliances, machine tools, personal electronic equipment and industrial robots
"Special": Transportation equipment (automobiles, trains, ships, etc.), traffic control systems, anti-disaster systems, anti-crime systems, safety equipment and medical equipment (not specifically designed for life support)
"Specific": Aircraft, aerospace equipment, submersible repeaters, nuclear reactor control systems, life support systems and medical equipment for life support, etc.
- The quality grade of NEC semiconductor products is "Standard" unless otherwise expressly specified in NEC's data sheets or data books, etc. If customers wish to use NEC semiconductor products in applications not intended by NEC, they must contact an NEC sales representative in advance to determine NEC's willingness to support a given application.
- (Note)
- (1) "NEC" as used in this statement means NEC Corporation and also includes its majority-owned subsidiaries.
(2) "NEC semiconductor products" means any semiconductor product developed or manufactured by or for NEC (as defined above).