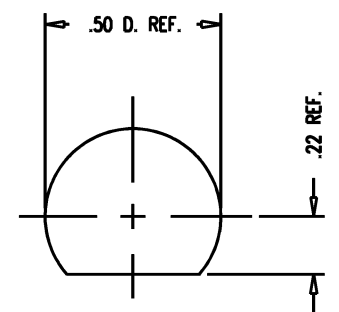
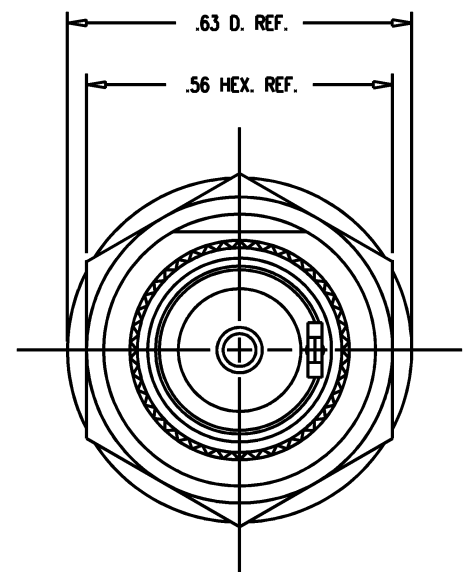
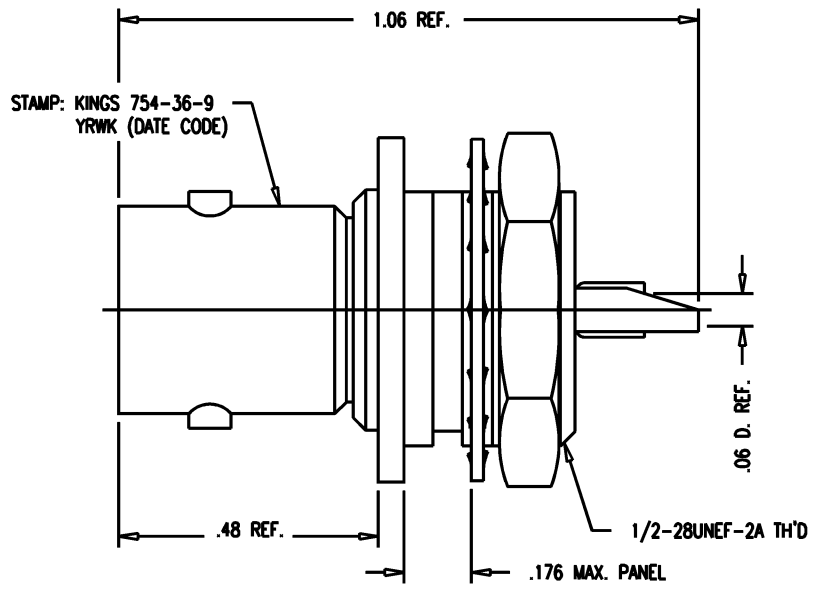


SD



MOUNTING HOLE

SD

754-36-9

REVISIONS

ISSUE	CHANGES
0	ER 38810 DCT 3/21/3
1	CN 38885 C HVN 07/18/03

754-36-9SR1

SCALE 4:1

APPROX SURFACE AREA

USED ON

REF: KC-79-67

RECEPTACLE, ISOLATED GROUND, BNC

DRAWN HVN	DATE 05/02/02
-----------	---------------

DESIGN HVN	DATE 05/02/02
------------	---------------

APPR.	DATE
-------	------

KINGS
ELECTRONICS CO., INC.
ROCK HILL, SOUTH CAROLINA 29730

754-36-9

NOTES:

- INTERFACE PER MIL-STD-348, FIG. 301-2.
- MATERIALS:
 INSULATORS: REXOLITE
 LOCKWASHER: PHOS. BRONZE.
 CENTER CONTACT } BER. COP.
 LUG }
 ALL OTHER PARTS: BRASS.
- FINISHES:
 CENTER CONTACT: SILVER PLATE.
 ALL OTHER METAL PARTS: KINGS TARNISH RESISTANT FINISH (TR-5)
- ELECTRICAL CHARACTERISTICS:
 VOLTAGE RATING: 500 VRMS
 FREQUENCY RANGE: DC TO 4 GHz