

ELECTRICAL SPECIFICATIONS:

1.0 TURNS RATIO: (P6-P5-P4) : (J6-J3)
 (P3-P2-P1) : (J2-J1)

2.0 INDUCTANCE: (P6-P4)
 (P3-P1)

3.0 LEAKAGE INDUCTANCE: P6-P4 (WITH J6 AND J3 SHORT)
 P3-P1 (WITH J2 AND J1 SHORT)

4.0 INTERWINDING CAPACITANCE: (P6,P5,P4) TO (J6,J3)
 (P3,P2,P1) TO (J2,J1)

5.0 DC RESISTANCE: (J1-J2)
 (P6-P4)

NOTES

1.0 PINS WITHOUT ELECTRICAL CONNECTION ARE OMITTED.

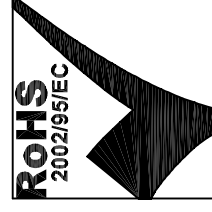
: 1CT : 1 ± 3%
 : 1CT : 1 ± 3%

: 350uH MIN. @ 0.1V, 100KHZ, 8mA DC Bias
 : 350uH MIN. @ 0.1V, 100KHZ, 8mA DC Bias

: 0.3 MAX. @ 1MHZ
 : 0.3 MAX. @ 1MHZ

: 30pf MAX @ 1MHZ
 : 30pf MAX. @ 1MHZ

: 1.2 ohms Max.
 : 1.2 ohms Max.



Bel Stewart Connector
 11118 Susquehanna Trail, South
 Glen Rock, Pa 17327-9199
 717.234.7512

MagJack®

<http://www.stewartconnector.com>

THIS DRAWING AND THE SUBJECT MATTER SHOWN THEREON ARE CONFIDENTIAL AND PROPERTY OF BEL STEWART CONNECTOR AND SHALL NOT BE REPRODUCED, COPIED, OR USED IN ANY MANNER WITHOUT PRIOR WRITTEN CONTENT OF BEL STEWART CONNECTOR. THIS SUBJECT MATTER MAY BE PATENTED OR A PATENT MAY BE PENDING.

SHEET 1 OF 4

DRAWING NO. S1-60015-F

REV. 07

RECEIVE

: 18dB MIN.
: 12dB MIN.

6.0 RETURN LOSS: 1MHz TO 30MHz
60MHz TO 80MHz
(P1 - P3) = 100 OHMS
(J3 - J6) = 100 OHMS

: 1500 VAC
: 1500 VAC

7.0 DIELECTRIC WITHSTAND: (J1, J2) TO (P1, P3)
(J3, J6) TO (P4, P6)

: 1.1 dB TYP

8.0 INSERTION LOSS: RS=RL=100 ohms
100KHz TO 100MHz

: 3.0 nS MAX
: 3.0 nS MAX

9.0 RISE TIME: RS=100 OHMS AND RL = 100 OHMS
OUTPUT VOLTAGE = 1 V peak
PULSE WIDTH= 112nS

: 35 dB TYP

10.0 CROSS TALK: 1MHz TO 100MHz

: 35dB TYP

11.0 COMMON TO COMMON MODE ATTENUATION: 1MHz TO 100MHz

Bel Stewart Connector
11118 Susquehanna Trail, South
Glen Rock, Pa 17327-9199
717.234.7512

MagJack®

<http://www.stewartconnector.com>

THIS DRAWING AND THE SUBJECT MATTER SHOWN THEREON ARE CONFIDENTIAL AND PROPERTY OF BEL STEWART CONNECTOR AND SHALL NOT BE REPRODUCED, COPIED, OR USED IN ANY MANNER WITHOUT PRIOR WRITTEN CONTENT OF BEL STEWART CONNECTOR. THIS SUBJECT MATTER MAY BE PATENTED, OR A PATENT MAY BE PENDING.

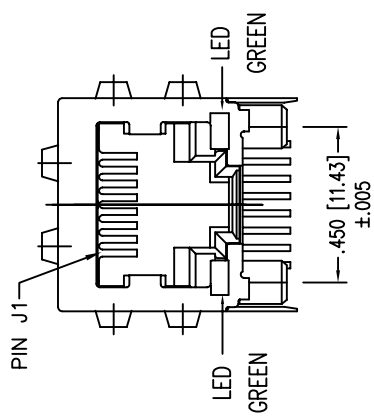
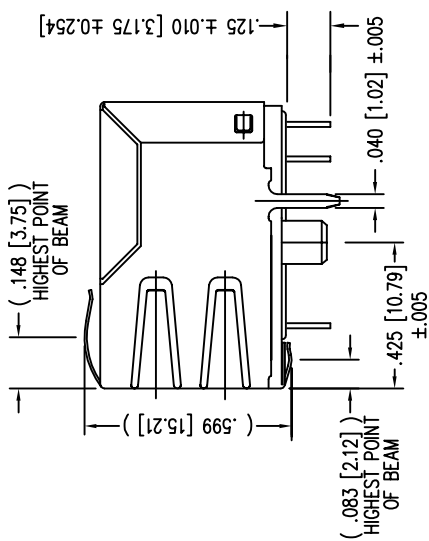
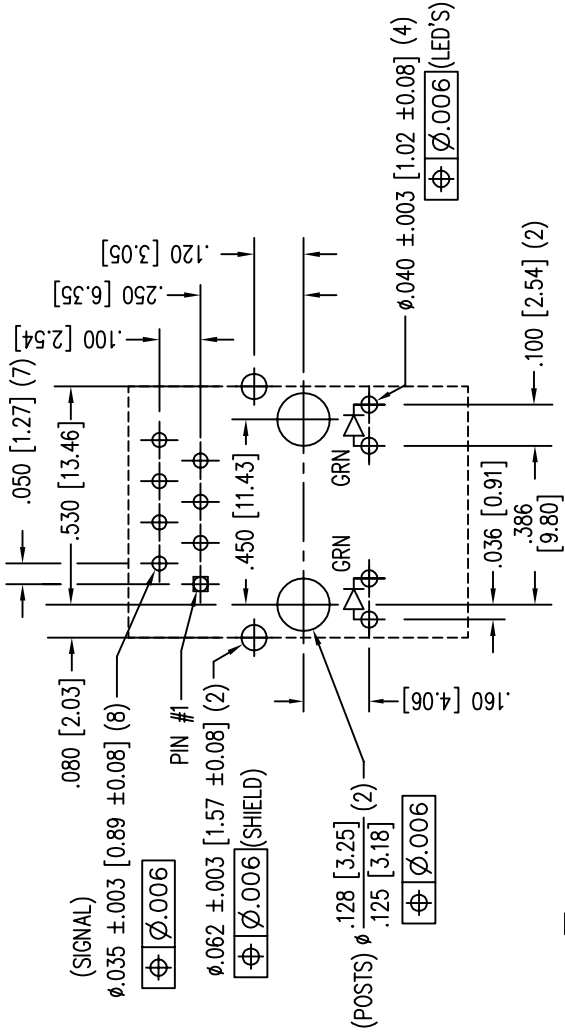
SHEET
2 OF 4

DRAWING NO.

SI-60015-E

REV.

07



P.C.B. RECOMMENDED HOLE LAYOUT
SEEN FROM COMPONENT SIDE

ALL CENTERLINE DIMENSIONS ARE BASIC.



NOTES:

- CONNECTOR MATERIALS:
HOUSING: THERMOPLASTIC UL94 V-0
CONTACT/SHIELD: COPPER ALLOY
SHIELD PLATING: NICKEL OR TIN
CONTACT PLATING: SELECTIVE GOLD,
50 MICRO-INCHES MIN. IN CONTACT AREA.
- PIN NOT ELECTRICALLY CONNECTED MAYBE OMITTED.
SEE ELECTRICAL DRAWING FOR OMITTED PINS.
- TOLERANCES COMPLY WITH F.C.C. DIMENSION REQUIREMENTS.
- ALL TOLERANCES NOT OTHERWISE SPECIFIED TO BE ±.005 [0.13]
- WAVE SOLDER COMPATIBLE - PREHEAT 125°C/90SECS.

LED SPECIFICATION		
STANDARD LED	WAVELENGTH	* Forward V (MAX) (TYP)
GREEN	565 nm	2.5 V
		2.1 V

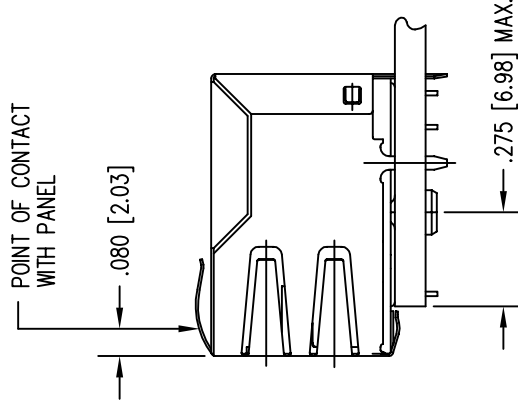
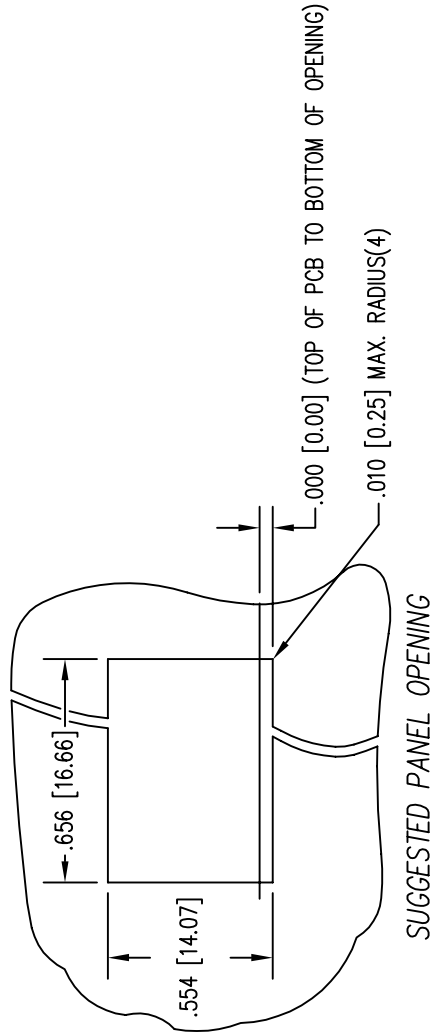
*WITH A FORWARD CURRENT OF 20 mA

Bel Stewart Connector
11118 Susquehanna Trail, South
Glen Rock, Pa 17327-9199
717.234.7512

MagJack®
<http://www.stewartconnector.com>

THIS DRAWING AND THE SUBJECT MATTER SHOWN THEREON ARE CONFIDENTIAL AND PROPERTY OF BEL STEWART CONNECTOR AND SHALL NOT BE REPRODUCED, COPIED, OR USED IN ANY MANNER WITHOUT PRIOR WRITTEN CONTENT OF BEL STEWART CONNECTOR. THIS SUBJECT MATTER MAY BE PATENTED OR A PATENT MAY BE PENDING.

SHEET 3 OF 4
DRAWING NO. S-60015-E
REV. 1.3



1. THE SUGGESTED PANEL OPENING IS INTENDED TO GIVE THE USER THE ABILITY TO HAVE REASONABLE JACK / PANEL CLEARANCES YET MAINTAIN RELIABLE GROUNDING CAPABILITY.
2. ALL TOLERANCES NOT OTHERWISE SPECIFIED TO BE ± 0.005 [0.13]

Bel Stewart Connector
 11118 Susquehanna Trail, South
 Glen Rock, Pa. 17327-9199
 717.234.7612

MagJack®

<http://www.stewartconnector.com>

THIS DRAWING AND THE SUBJECT MATTER SHOWN THEREON ARE CONFIDENTIAL AND PROPERTY OF BEL STEWART CONNECTOR AND SHALL NOT BE REPRODUCED, COPIED, OR USED IN ANY MANNER WITHOUT PRIOR WRITTEN CONTENT OF BEL STEWART

SHEET
4 OF 4

DRAWING NO.
SL-60015-E

REV.
1 3