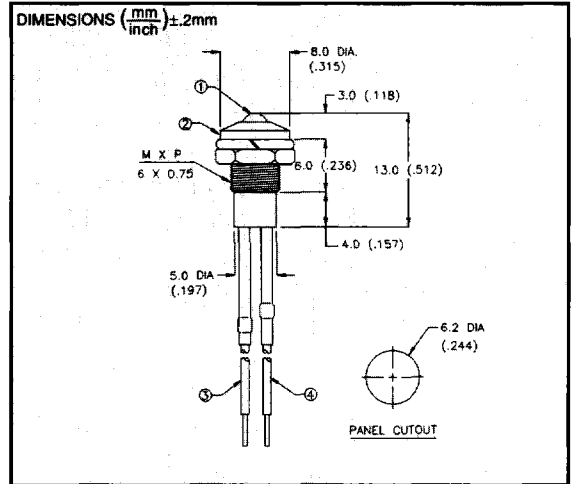


SSI-LXR3612 SERIES PANEL MOUNT T-3mm LEDs

FEATURES		APPLICATIONS		MATERIAL SPECIFICATIONS	
<ul style="list-style-type: none"> • Easy Panel Installation • Chrome Plated Metal Holder • Choice of Colors, Current • Lead Lengths Optional 		<ul style="list-style-type: none"> • Panel Indicators • Status Indicators • Function Indicator 		<ul style="list-style-type: none"> • Holder: Chrome Brass • Termination: Pins or Insulated Lead (-150) • Installation: 1/4" Panel Hole 	
LUMEX PART NBR	EMITTED COLOR	OPERATING CURRENT (mA)	OPERATING TYP Volts (V)	BRIGHTNESS TYP (mCD) @ mA	LED SERIES USED
SSI-LX3612ID/-150	RED	635	10-25	2.1 18 20	SSL-LX3054XX
SSI-LX3612SRD/-150	RED	660	10-25	1.7 65 20	SSL-LX3054XX
SSI-LX3612GD/-150	GREEN	565	10-25	2.1 18 20	SSL-LX3054XX
SSI-LX3612YD/-150	YELLOW	585	10-25	2.1 18 20	SSL-LX3054XX
BI-COLOR OPTION					
SSI-LX3612HGW/-150	RED/GREEN	695/565	10-25	2.1 6/6 20	SSL-LX3054XX
FIXED VOLTAGE OPTION AVAILABLE (2.0/5.0/14.0 VOLTS D.C.)					
SSI-LX3612ID-5V/-150	RED	635	20 max.	5.0 11 5V	SSL-LX3054XX5V
SSI-LX3612GD-5V/-150	GREEN	565	20 max.	5.0 11 5V	SSL-LX3054XX5V
SSI-LX3612YD-5V/150	YELLOW	585	20 max.	5.0 11 5V	SSL-LX3054XX5V
BLINKING OPTION					
SSI-LX3612BID/-150	RED	635	10-20	3-15V 8 9V	SSL-LX3054BID

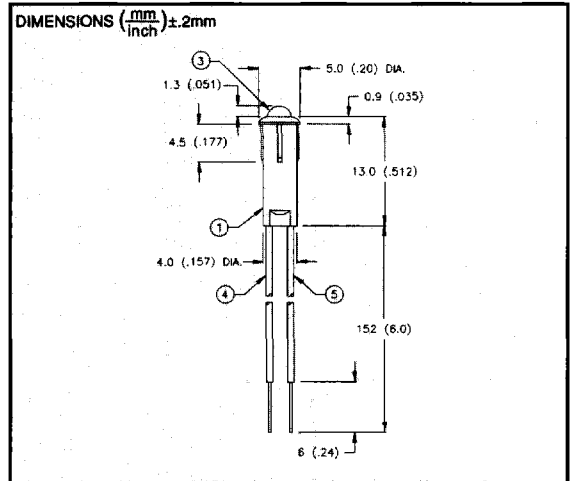
See pages 8 -14 for Max. operating limits and operating curves



SSI-LXH312 SERIES PANEL MOUNT T-3mm LEDs

FEATURES		APPLICATIONS		MATERIAL SPECIFICATIONS	
<ul style="list-style-type: none"> • Easy Panel Installation • Small Size • Choice of Colors, Current • Lead Lengths Optional 		<ul style="list-style-type: none"> • Panel Indicators • Status Indicators • Dot Indicator 		<ul style="list-style-type: none"> • Holder: Black Nylon • Termination: Pins or Insulated Leads (-150) • Installation: .170"-.175" Panel Hole 	
LUMEX PART NBR	EMITTED COLOR	OPERATING CURRENT (mA)	OPERATING TYP Volts (V)	BRIGHTNESS TYP (mCD) @ mA	LED SERIES USED
SSI-LXH312ID/-150	RED	635	10-25	2.1 10 20	SSL-LX305F4XX
SSI-LXH312SRD/-150	RED	660	10-25	1.7 50 20	SSL-LX305F4XX
SSI-LXH312GD/-150	GREEN	565	10-25	2.1 10 20	SSL-LX305F4XX
SSI-LXH312YD/-150	YELLOW	585	10-25	2.1 10 20	SSL-LX305F4XX
BI-COLOR OPTION					
SSI-LXH312HGW/-150	RED/GREEN	695/565	10-25	2.1 5/5 20	SSL-LX305F4HGW
FIXED VOLTAGE OPTION AVAILABLE (2.0/5.0/14.0 VOLTS D.C.)					
SSI-LXH312ID-5V/-150	RED	635	20 max.	5.0 8 5V	SSL-LX305F4XX5V
SSI-LXH312GD-5V/-150	GREEN	565	20 max.	5.0 8 5V	SSL-LX305F4XX5V
SSI-LXH312YD-5V/150	YELLOW	585	20 max.	5.0 8 5V	SSL-LX305F4XX5V
BLINKING OPTION					
SSI-LXH312BID/-150	RED	635	10-20	3-15V 8 9V	SSL-LX305F4ID

See pages 8 -14 for Max. operating limits and operating curves



SSF-LXH340 SERIES TOWER PCB LEDs (3) LEVELS

FEATURES		APPLICATIONS		MATERIAL SPECIFICATIONS	
<ul style="list-style-type: none"> • Three Level Holder • Many Color Options • Easy Installation 		<ul style="list-style-type: none"> • Status Indicator • Fault Indicator • Go- NoGo Status 		<ul style="list-style-type: none"> • Holder: 94V-0 Nylon • Terminals: 0.5 Leads 	
LUMEX PART NBR	EMITTED COLOR	OPERATING CURRENT (mA)	OPERATING TYP Volts (V)	BRIGHTNESS TYP (mCD) @ mA	LED SERIES USED
SSF-LXH340GGGD	GREEN	565	10-25	2.1 15 20	SSL-LX3044XX
SSF-LXH340IID	RED	630	10-25	2.1 15 20	SSL-LX3044XX
SSF-LXH340YYD	YELLOW	585	10-25	2.1 15 20	SSL-LX3044XX
SSF-LXH340SRSRD	RED	360	10-25	1.8 80 20	SSL-LX3044XX
LOW CURRENT OPTIONS					
SSF-LXH340LGGGD	GREEN	565	1-5	1.8 1.5 Min. 2	SSL-LX3044LXX
SSF-LXH340LIID	RED	630	1-5	1.8 1.5 Min. 2	SSL-LX3044LXX
SSF-LXH340LYYD	YELLOW	585	1-5	1.8 1.5 Min. 2	SSL-LX3044LXX
OTHER OPTIONS AVAILABLE					
BI-COLORS					
BI-POLAR					
BLINKING LEDES					

See pages 8-14 for Max. operating limits and operating curves

