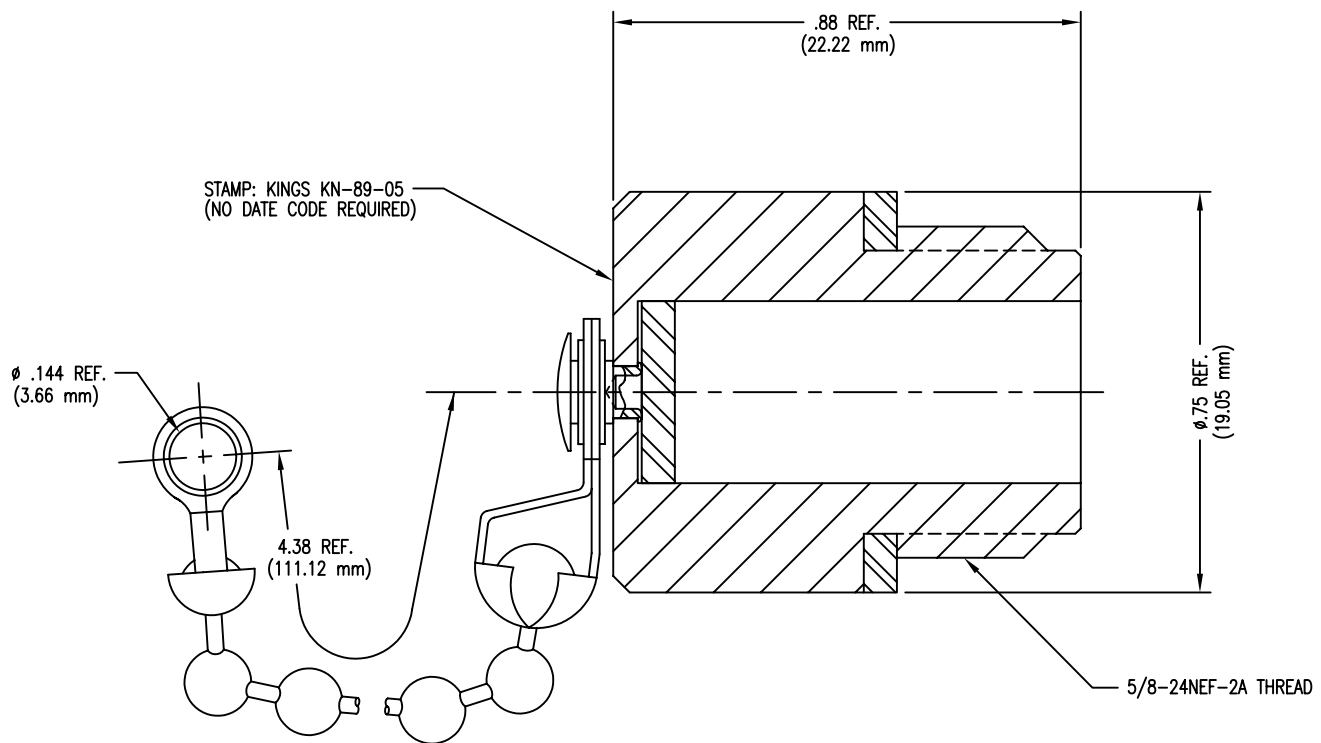


DASH NO.	M CODE	MADE FROM
----------	--------	-----------



- NOTES:
- MATERIALS:  
 ALL METAL PARTS—BRASS, ASTM-B16  
 GASKET—SILICONE RUBBER, A-A-59588  
 DISC—SYNTHETIC RUBBER, ARMY SPEC 20-116 GRADE RS 415
  - FINISHES:  
 CAP—SILVER PLATE PER ASTM-B700  
 RIVET—SILVER PLATE PER ASTM-B700  
 BEAD CHAIN—NICKEL PLATE PER SAE-AMS-QQ-N-290

UNLESS OTHERWISE SPECIFIED

- ALL DIMENSIONS IN INCHES [MILLIMETERS].
- TOLERANCES:  
 .XXX ±.004      .XX ±.010  
 [.XXX ±.10]    [.XX ±.25]  
 FRACTIONS: X/Y ±.010 [.25]      ANGLES: ± 1°

★ CRITICAL DIMENSIONS

PART NO.	REVISIONS	
	ISSUE	CHANGES
KN-89-05	1	CN 22931 D GJG 01/14/82
	2	CN 37823 E REDRAWN TML 08/26/99
	3	CN 39383 E DRK 01/04/06
	E	ER12951 DRK 12/18/08

## CUSTOMER SALES DRAWING

SCALE	4:1
APPROX SURFACE AREA	
USED ON	
REF:	MCDONNELL DOUGLAS, K52G0030-1

### CAP & CHAIN, N

DRAWN	GINO	DATE	09/29/78
DESIGN		DATE	
APPR.	AT	DATE	09/29/78

	Winchester Electronics 62 Burness Industrial Road North Wallingford, CT 06492	B SIZE
	by WINCHESTER <small>ESTABLISHED 1947</small>	

SDKN-89-05