

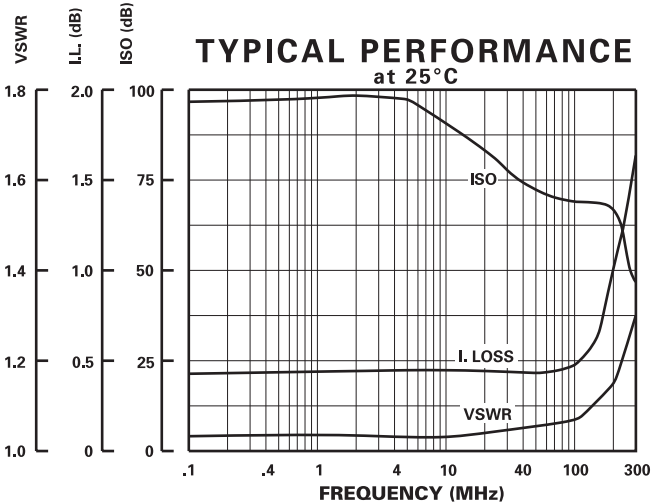
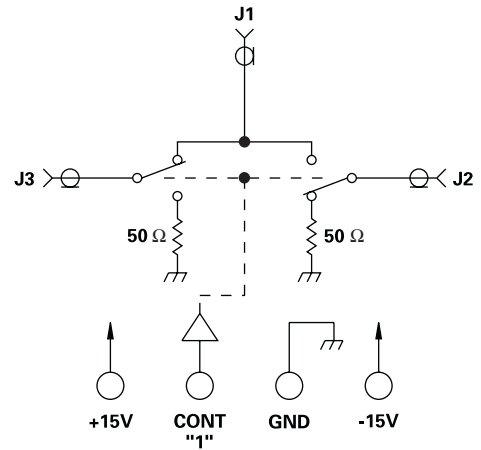
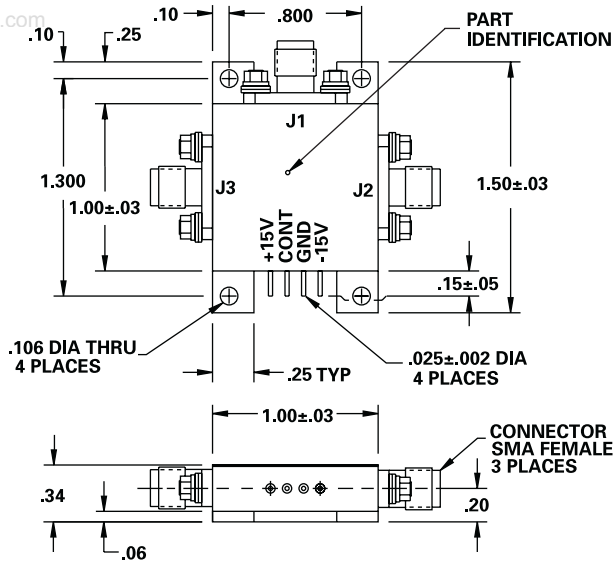
**MODEL NUMBER  
DSW26189**

**GaAs SP2T**

**FEATURES**

- 0.1 - 150 MHz
- High Intercept Points
- 2.5 mA, +15 VDC
- 60 dB Isolation

**SP2T**



| LOGIC TABLE |          |
|-------------|----------|
| "0"         | J1 To J2 |
| "1"         | J1 To J3 |

**GUARANTEED PERFORMANCE**

| Parameter                    | Min | Typ       | Max   | Units | Conditions                |                         |
|------------------------------|-----|-----------|-------|-------|---------------------------|-------------------------|
| Operating Frequency          | 0.1 |           | 150   | MHz   |                           |                         |
| DC Current                   |     | 2.5       | 10    | mA    | At +15 VDC Supply         |                         |
|                              |     | 1.5       | 10    | mA    | At -15 VDC Supply         |                         |
| Control Type                 |     | TTL       |       |       | See Logic Chart           |                         |
| Control Current              |     | High      | ±100  | µA    | V <sub>IH</sub> = +2.7V   |                         |
|                              |     | Low       | 1.0   | ±100  | µA                        | V <sub>IL</sub> = +0.5V |
| Insertion Loss               |     | 0.6       | 1.0   | dB    |                           |                         |
| Isolation                    | 60  | 64        |       | dB    |                           |                         |
| VSWR                         |     | 1.10/1    | 1.5/1 |       |                           |                         |
|                              |     | 1.08/1    | 1.5/1 |       |                           |                         |
| Impedance                    |     | 50        |       | OHMS  |                           |                         |
| Switching Speed              |     | 0.15      | 5     | µSEC  | 50% TTL to 90% / 10% RF   |                         |
| Transition (Rise/Fall) Time  |     | 0.02      |       | µSEC  | 10% / 90% or 90% / 10% RF |                         |
| Switching (Video) Transients |     | +81       |       | dBm   | In 3 KHz BW at 1KHz PRF   |                         |
| Intercept Points             |     | 2nd       | +81   | dBm   |                           |                         |
|                              |     | 3rd       | +36   | dBm   |                           |                         |
| RF Power                     |     | Operate   | +22   | dBm   | 1.0 dB Compression        |                         |
|                              |     | No Damage | +30   | dBm   |                           |                         |
| Operating Temperature        | -55 | +25       | +125  | °C    | TA                        |                         |