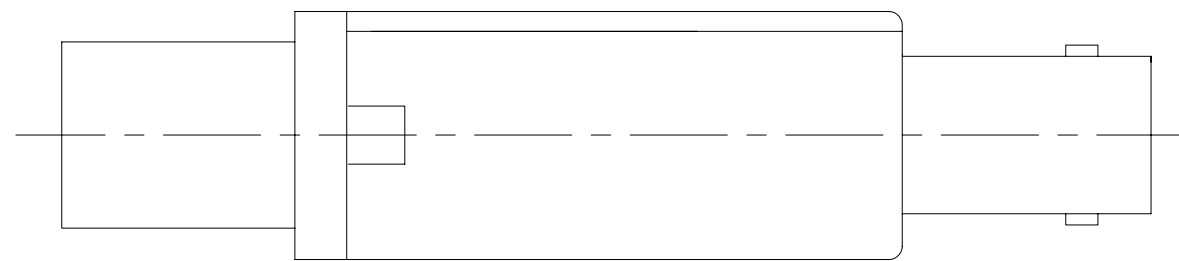
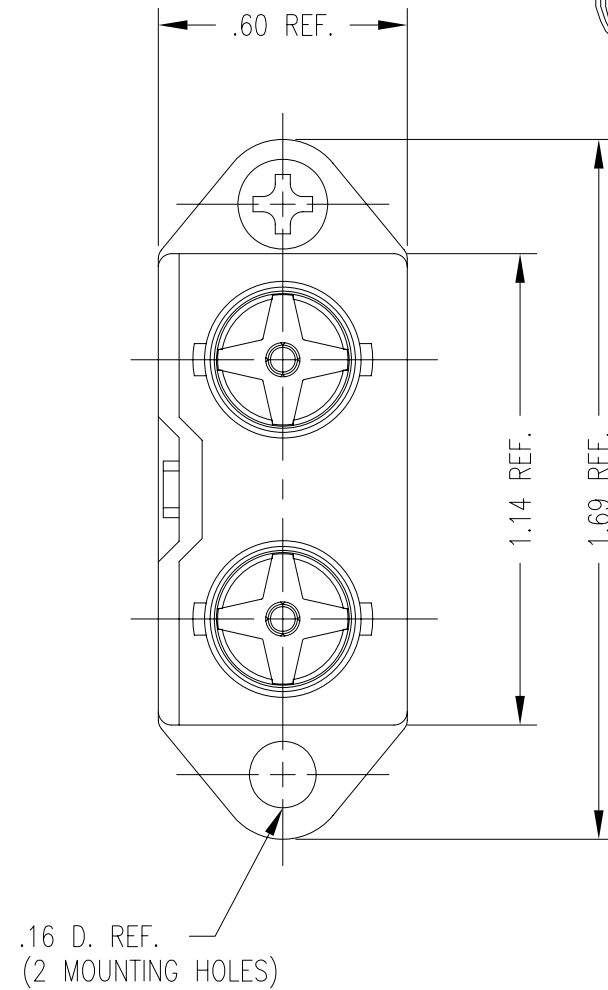
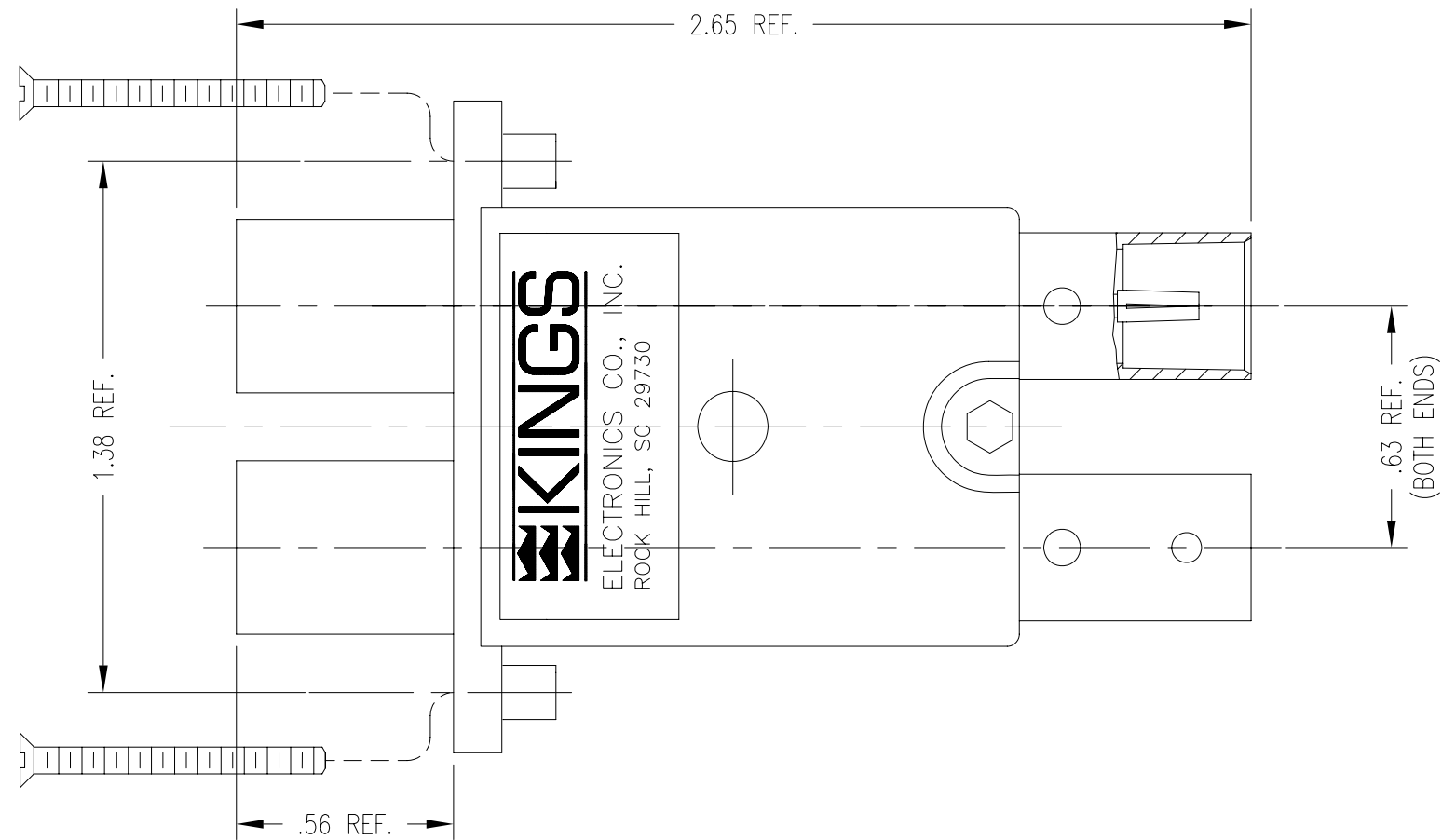


GSD



NOTES:

- INTERFACE PER MIL-STD-348, FIG. 301-2 (AS APPLICABLE).
- MATERIALS:  
 BODY: ZINC (ZAMACK)  
 CONTACTS: BER. COPPER, ASTM-B-196  
 INSULATING MATERIALS: ZYTEL & DELRIN, ASTM-D-4894  
 HARDWARE: STAINLESS STEEL  
 ALL OTHER METAL PARTS: BRASS, ASTM-B16
- FINISHES:  
 CONTACTS: HARD GOLD PLATE PER MIL-G-45204 OVER NICKEL PLATE PER QQ-N-290.  
 HARDWARE: PASSIVATE PER QQ-P-35  
 ALL OTHER METAL PARTS: NICKEL PER QQ-N-290
- MECHANICAL CHARACTERISTICS: 50,000 LIFE CYCLES MIN.
- ELECTRICAL CHARACTERISTICS:  
 IMPEDANCE: 75 OHMS  
 FREQUENCY RANGE: DC TO 3.5 GHz.  
 RETURN LOSS (NORMAL THRU MODE):  
 UP TO 1.5 GHz, <-23 dB.  
 UP TO 3.5 GHz, <-10 dB.
- COMPLIANT TO SMPTE 424M (3G-SDI) SPECIFICATION.

SD7780-6

REVISIONS	
ISSUE	CHANGES
0	ER 38895 JLA 07/23/03
1	CN 39090 E JLA 05/07/04
2	CN 39197 C JLA 12/07/04
3	CN 39251 C JLA 03/21/05
4	CN 39662 C DCT 10/13/6
F	ER 14290 PSM 03/16/09

7780-6SD

SCALE 2:1	
APPROX SURFACE AREA	
USED ON	
REF:	
HIGH DEFINITION, DUAL VIDEO JACK STD SIZE (NON-TERMINATED)	
DRAWN JLA	DATE 07/23/03
DESIGN JLA	DATE 07/23/03
APPR.	DATE
<b>KINGS</b> by WINCHESTER ELECTRONICS	Winchester Electronics 62 Barnes Industrial Road North Wallingford, CT 06492
B	SIZE

GSD

SD7780-6