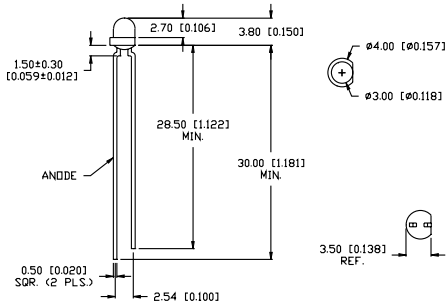


SSL-LX3034 Series

T-3mm Short Lens



FEATURES / OPTIONS

- ▶ State-of-the-Art, High Brightness Chip Technology
- ▶ Choice of Colors and Lens Finishes
- ▶ Lead Frame / Lens Casting Reliability
- ▶ Easy-to-Solder Leads, Tin Finish
- ▶ Available Bulk or on Tape and Reel
- ▶ Lead Trimming and Forming Available
- ▶ Custom Shapes, Easily Tooled, Low Minimum
- ▶ Blinking LED
- ▶ With Internal Resistor for 5V and 12V Operation

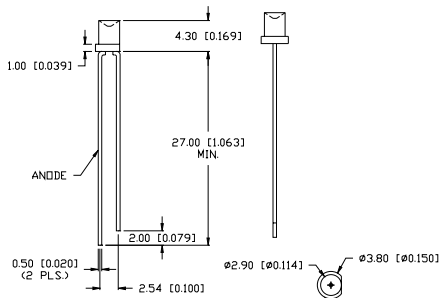
APPLICATIONS / USES

- ▶ Board or Panel Indication or Illumination
- ▶ Backlighting of Overlays and Graphics
- ▶ Annunciator and Control Panels
- ▶ Keyboards and Switches
- ▶ Telecom Switches and Central Station Equipment
- ▶ Signs, Warning Lights, Displays

Lumex Part Number	Die Material	Emitted Color	Peak (nm)	Lens	Operating Current (mA)	Operating TYP. Vf (V)	Brightness TYP. Mcd	@ mA	View Angle° 2θ
HIGH BRIGHTNESS									
SSL-LX3034SID	AlInGaP	Super High Intensity Red	636	Red Diffused	5-25	2	100	20	60
SSL-LX3034SOD	AlInGaP	Super Orange	610	Orange Diffused	5-25	2	100	20	60
SSL-LX3034SUGD	AlInGaP	Super Ultra Green	574	Green Diffused	5-25	2.2	60	20	60
SSL-LX3034SYD	AlInGaP	Super Yellow	590	Yellow Diffused	5-25	2	100	20	60
SSL-LX3034USBD	InGaN/SiC	Ultra Super Blue	470	Blue Diffused	5-25	3.5	80	20	60
STANDARD BRIGHTNESS									
SSL-LX3034GD	GaP	Green	565	Green Diffused	5-25	2.2	10	20	60
SSL-LX3034ID	GaAsP	High Intensity Red	635	Red Diffused	5-25	2	10	20	60
SSL-LX3034SRD	GaAlAs	Super Red	660	Red Diffused	5-25	1.8	80	20	60
SSL-LX3034YD	GaAsP	Yellow	585	Yellow Diffused	5-25	2.1	12	20	60

SSL-LX304F4 Series

T-3mm Dimple Lens



FEATURES / OPTIONS

- ▶ State-of-the-Art, High Brightness Chip Technology
- ▶ Choice of Colors and Lens Finishes
- ▶ Lead Frame / Lens Casting Reliability
- ▶ Easy-to-Solder Leads, Tin Finish
- ▶ Available Bulk or on Tape and Reel
- ▶ Lead Trimming and Forming Available
- ▶ Custom Shapes, Easily Tooled, Low Minimum
- ▶ Blinking LED
- ▶ With Internal Resistor for 5V and 12V Operation

APPLICATIONS / USES

- ▶ Board or Panel Indication or Illumination
- ▶ Backlighting of Overlays and Graphics
- ▶ Annunciator and Control Panels
- ▶ Keyboards and Switches
- ▶ Telecom Switches and Central Station Equipment
- ▶ Signs, Warning Lights, Displays

Lumex Part Number	Die Material	Emitted Color	Peak (nm)	Lens	Operating Current (mA)	Operating TYP. Vf (V)	Brightness TYP. Mcd	@ mA	View Angle° 2θ
HIGH BRIGHTNESS									
SSL-LX304F4SITD	AlInGaP	Super High Intensity Red	636	Top Red Diffused	5-25	2	30	20	130
SSL-LX304F4SOTD	AlInGaP	Super Orange	610	Top Orange Diffused	5-25	2	30	20	130
SSL-LX304F4SUGTD	AlInGaP	Super Ultra Green	574	Top Green Diffused	5-25	2.2	50	20	130
SSL-LX304F4SYTD	AlInGaP	Super Yellow	590	Top Yellow Diffused	5-25	2	30	20	130
SSL-LX304F4USBD	InGaN/SiC	Ultra Super Blue	470	Top Blue Diffused	5-25	3.5	50	20	130
STANDARD BRIGHTNESS									
SSL-LX304F4GTD	GaP	Green	565	Top Green Diffused	5-25	2.2	10	20	130
SSL-LX304F4ITD	GaAsP	High Intensity Red	635	Top Red Diffused	5-25	2	15	20	130
SSL-LX304F4SRD	GaAlAs	Super Red	660	Top Red Diffused	5-25	1.7	40	20	130
SSL-LX304F4YTD	GaAsP	Yellow	585	Top Yellow Diffused	5-25	2.1	10	20	130



USA/Canada 1-800-278-5666
Asia +886-3-5821124



www.lumex.com



USA/Canada 1-847-359-8904
Asia +886-3-5821154