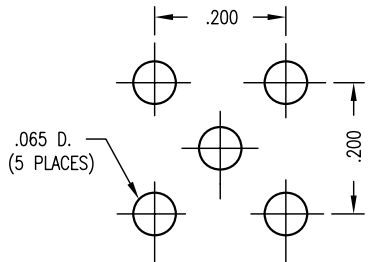
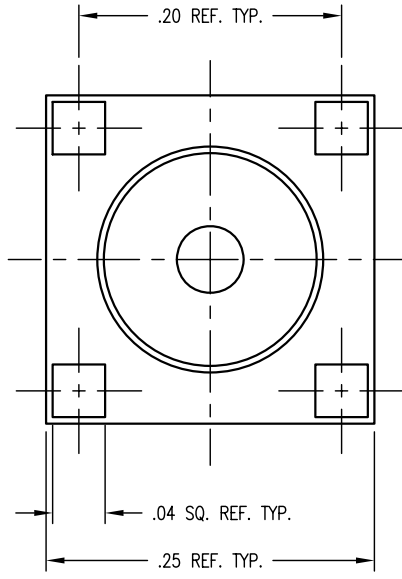
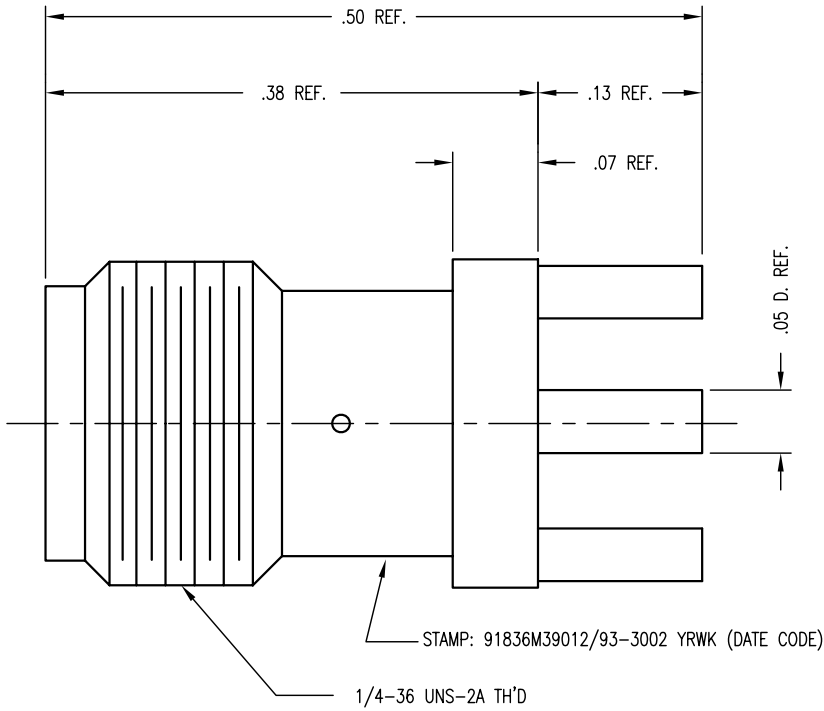


DASH NO.	M CODE	MADE FROM
----------	--------	-----------



- NOTES:
- MARK PACKAGE: 91836 M39012/93-3002 877-92-1 YRWK (DATE CODE)
  - INTERFACE PER MIL-STD-348 FIG., 310-2.
  - MATERIALS:  
INSULATOR-TEFLON, ASTM-D-1457  
CENTER CONTACT F-BER. COP., ASTM-B-196  
BODY-STAINLESS STEEL, 303
  - FINISHES:  
ALL METAL PARTS-HARD GOLD PLATE PER MIL-G-45204
  - ELECTRICAL CHARACTERISTICS:  
NOMINAL IMPEDANCE-50 OHMS

- UNLESS OTHERWISE SPECIFIED**
- |   |  |   |
|---|--|---|
| 1. TOLERANCES: FRACTIONS & 2 PLACE DECIMALS ± .010                                | 2. REMOVE ALL BURRS, BREAK SHARP EDGES .005 MAX. | 7. ALL LEAD THREADS TO BE CHAMFERED 45° TO ROOT DIAMETER. |
| 3 PLACE DECIMALS ± .004   | 3. NO FILLETS PERMITTED.                         | ★ CRITICAL DIMENSIONS                                     |
| ANGLES ± 1°   | 4. SURFACE ROUGHNESS 63 MICROINCHES RMS MAX.     |   |
| CONCENTRICITY OF ANY 2 DIAMETERS MAY NOT EXCEED HALF THE SUM OF THEIR TOLERANCES. | 5. ALL DIMENSIONS PRIOR TO PLATING.              |   |
|   | 6. ALL PLATING IN ACCORDANCE WITH KER 10004.     |   |

877-92-1

REVISIONS	
ISSUE	CHANGES
0	ER 32927 JCA 03/04/91
1	CN 34192 E KH 10/19/92
2	CN 35187 D KH 11/29/93
3	CN 36001 E ME 01/16/95
4	CN 38219 C BDH 02/07/01
F	REVISED PER ER19902 GGR 11/04/2009

JCA1431

CUSTOMER SALES DRAWING

SCALE	10:1
APPROX SURFACE AREA	877-92-1
USED ON	
REF:	RECEPTACLE, P.C.B., SMA M39012/93-3002
DRAWN	JCA DATE 03/04/91
DESIGN	GA DATE 03/05/91
APPR.	DATE



Winchester Electronics  
62 Barnes Industrial  
Road North  
Wallingford, CT 06492

SD877-92-1