

6

5

4

3

2

1

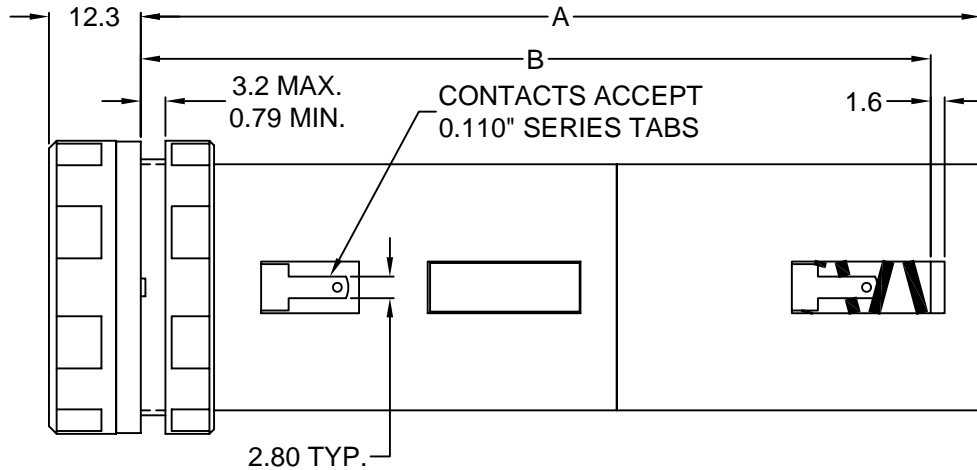
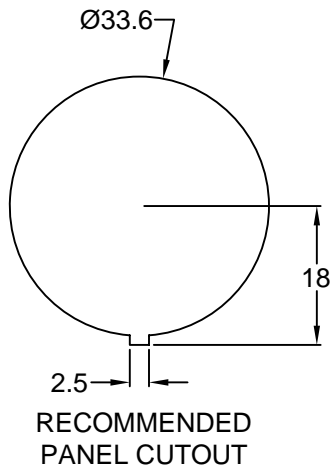
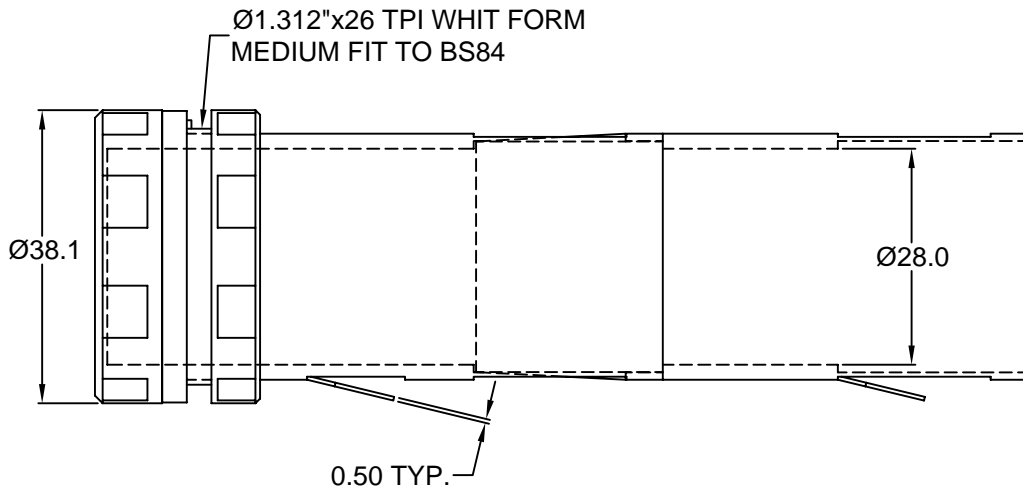
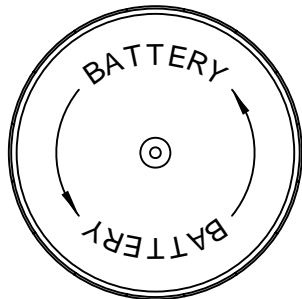
**MATERIAL AND FINISH:**

Insulator: Nylon, color black, UL-94V-0 rated  
Cap & knurled ring: Glass filled Nylon, color black, UL-94-HB rated  
Contact: Brass, Tin plated  
Spring: Stainless Steel  
End plate: S.R.B.F

**ENVIRONMENTAL**

Operating temperature: -30°C to +70°C

RoHS  
COMPLIANT



**REVISIONS**

REV	DATE	CHANGE	CHNG	CHK	APPR
A	10/99	ADD INSIDE Ø DIM	TD	JJ	SS
B	3/24/00	ADD THRD SPEC, REV. P/N	TD	JJ	PB
C	03/14/02	REVISED / UPDATED	GO	TD	PB

P/N	A±1.0	B±1.0
B1/1 (1 CELL)	62.0	54.1
B2/1 (2 CELLS)	109.5	103.0
B3/1 (3 CELLS)	157.5	151.2
B4/1 (4 CELLS)	203.5	197.0
B5/1 (5 CELLS)	251.0	245.0

TOLERANCE UNLESS OTHERWISE SPECIFIED	
X	± 1
X.X	± 0.4
X.XX	± 0.20

DRAWN BY	TD	DATE:	10/18/99
CHECK BY	JJ	DATE:	10/19/99
APPR BY	SS	DATE:	10/19/99

**Power Dynamics, Inc.**

Phone: 973 560-0019 Whippany, New Jersey Fax: 973 560-0076

PART: C SIZE BATTERY HOLDER, PANEL MOUNT

PART #: <b>BX/1</b>		SHEET 1 of 1
SIZE: A	ALL DIMENSIONS FOR REFERENCE ONLY DIMENSIONS ARE IN MILLIMETERS	REV: C
SCALE: NTS		