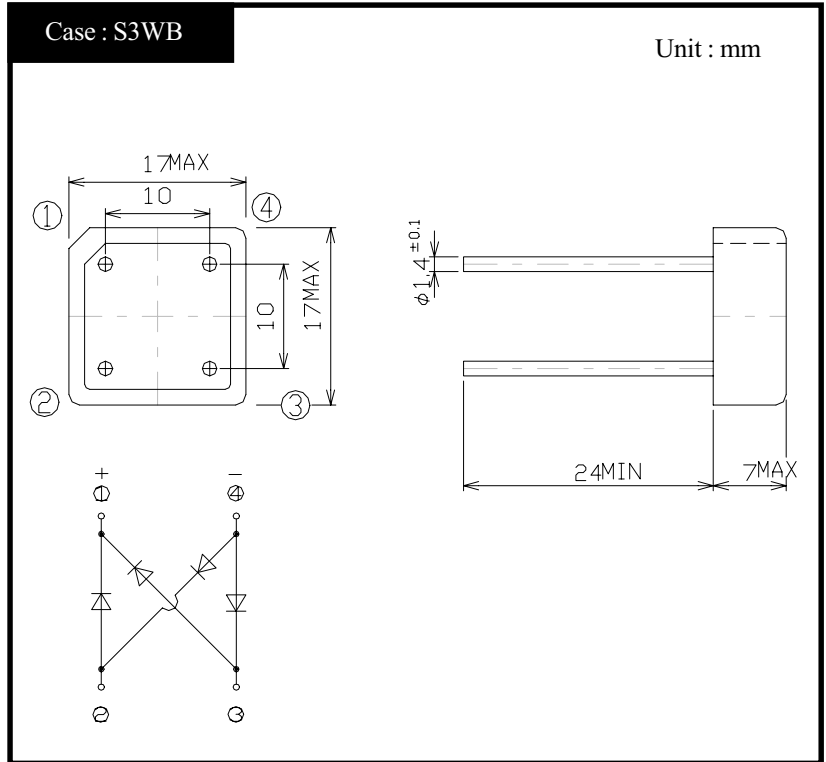


# S3WB60

## 600V 2.3A

### OUTLINE DIMENSIONS



### RATINGS

#### ● Absolute Maximum Ratings

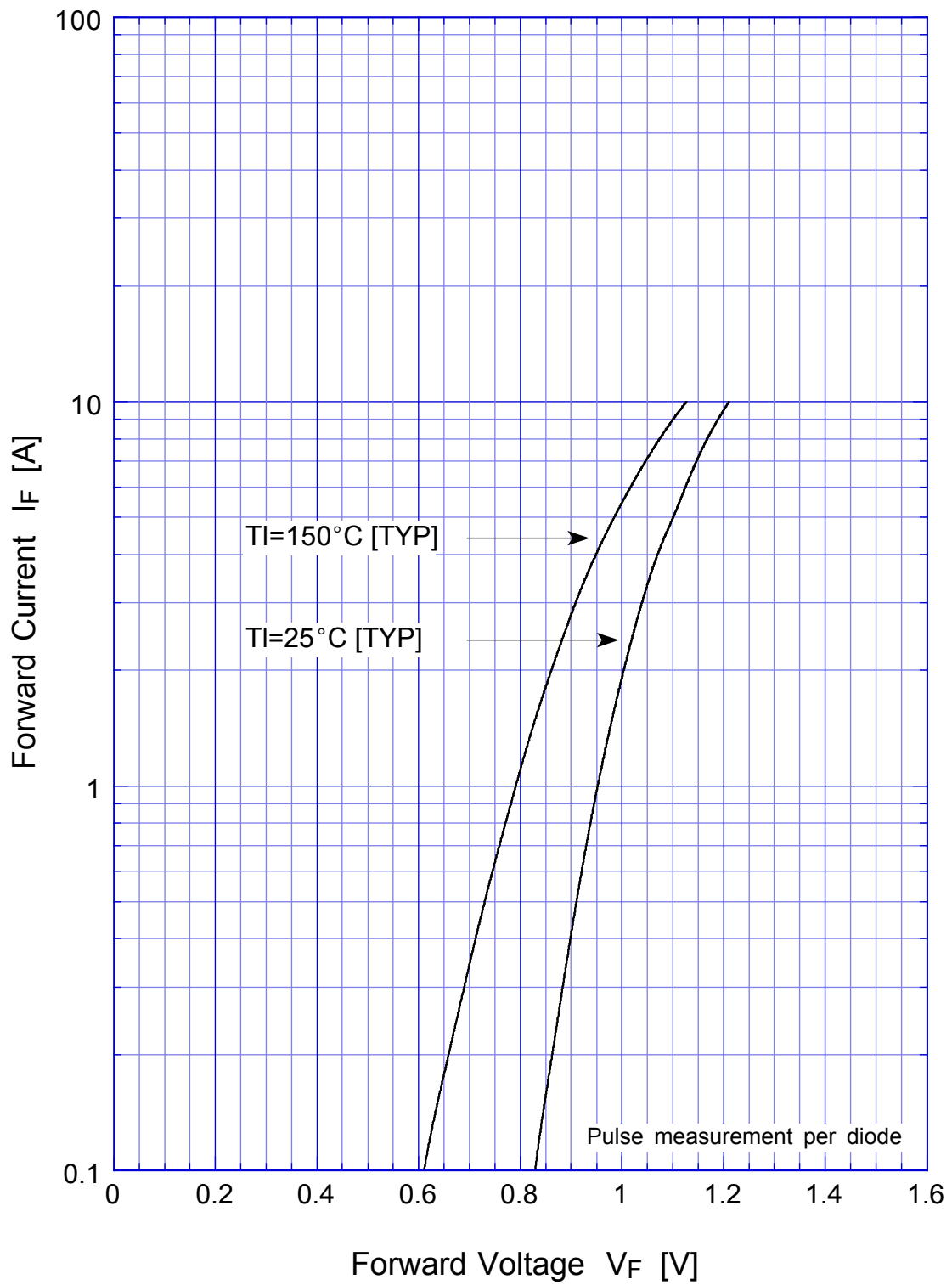
Item	Symbol	Conditions	Ratings	Unit
Storage Temperature	$T_{stg}$		-40~150	°C
Operating Junction Temperature	$T_j$		150	°C
Maximum Reverse Voltage	$V_{RM}$		600	V
Average Rectified Forward Current	$I_O$	50Hz sine wave, R-load, On glass-epoxy substrate, $T_a=40^\circ\text{C}$	2.3	A
Peak Surge Forward Current	$I_{FSM}$	50Hz sine wave, Non-repetitive 1cycle peak value, $T_j=25^\circ\text{C}$	120	A
Current Squared Time	$I^2t$	$1\text{ms} \leq t < 10\text{ms}$ $T_j=25^\circ\text{C}$	60	$\text{A}^2\text{s}$

#### ● Electrical Characteristics ( $T_l=25^\circ\text{C}$ )

Item	Symbol	Conditions	Ratings	Unit
Forward Voltage	$V_F$	$I_F=2\text{A}$ , Pulse measurement, Rating of per diode	Max.1.05	V
Reverse Current	$I_R$	$V_R=V_{RM}$ , Pulse measurement, Rating of per diode	Max.10	$\mu\text{A}$
Thermal Resistance	$\theta_{jl}$	junction to lead	Max.5.5	°C/W
	$\theta_{ja}$	junction to ambient	Max.26.5	

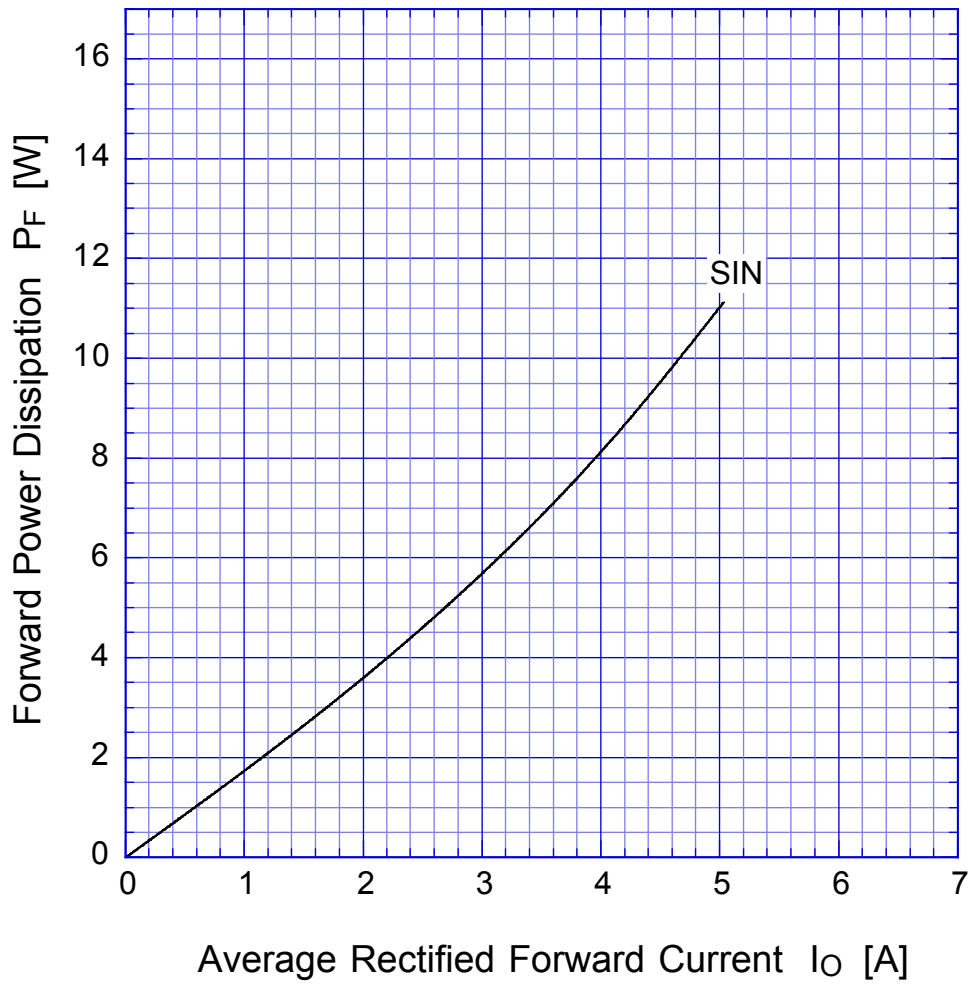
S3WBx

Forward Voltage



S3WBx

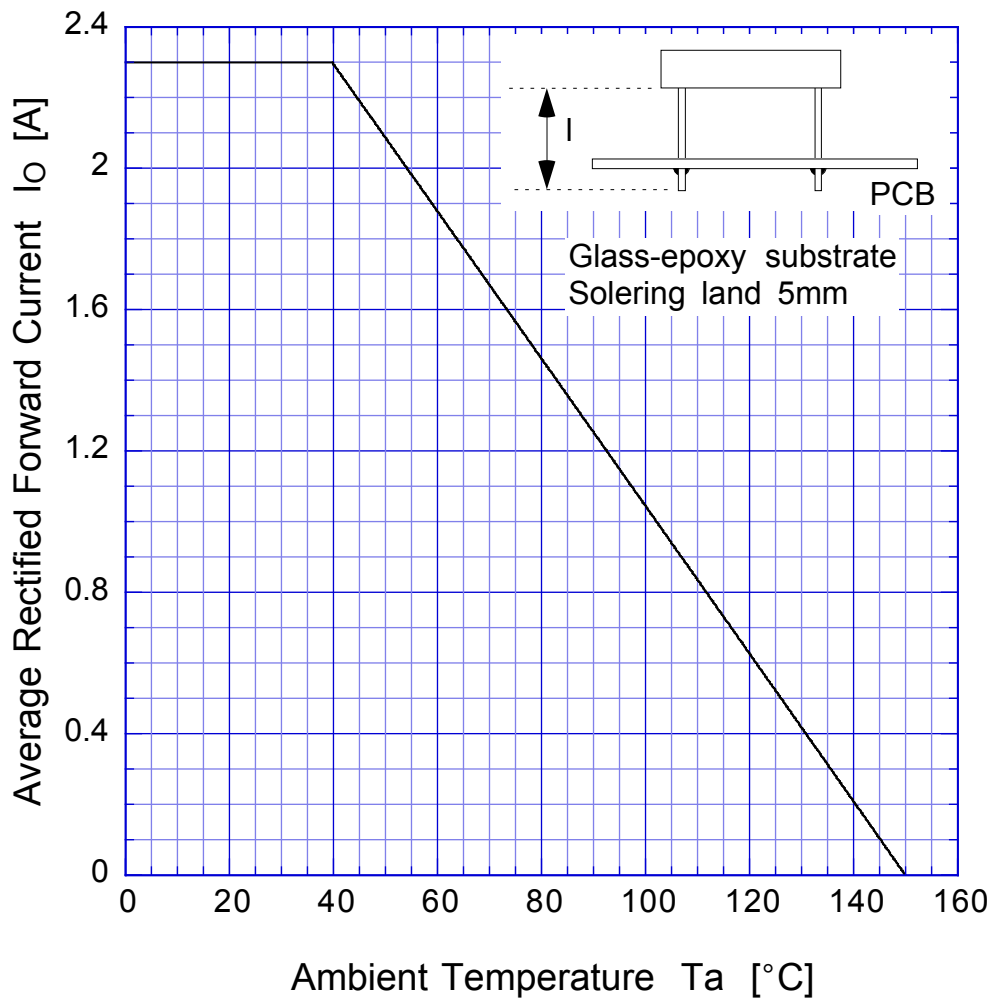
Forward Power Dissipation



$T_j = 150^\circ\text{C}$   
Sine wave

# S3WBx

# Derating Curve



Sine wave  
R-load  
Free in air

# S3WBx

## Peak Surge Forward Capability

