

PRODUCT SPECIFICATION

DATE:06/04/2012

cosmo ELECTRONICS CORPORATION	Photocoupler : KT1000	NO.61P04116	REV.
		SHEET 1 OF 8	7

4Pin Long Mini-Flat Package DC Input Response General Purpose Photocoupler

● Features

1. Halogen Free.
2. Pb free and RoHS compliant.
3. High isolation voltage 5000Vrms.
4. Opaque type,SMD low profile 4 lead package.
5. Current transfer ratio.
(CTR : MIN.50% at IF=5mA VCE=5V)
6. 8mm outer creepage distance.
7. DC input with transistor output.
8. Agency Approvals
 - UL approved : UL1577 , No.E169586
 - CUL approved : C22.2 No.1 & NTC No.5 , No.E169586
 - VDE approved : EN 60747-5-5 No.40031267
 - FIMKO approved : EN 60065 , EN 60950 , EN 60335-1
No.FI26204 M1

● Applications

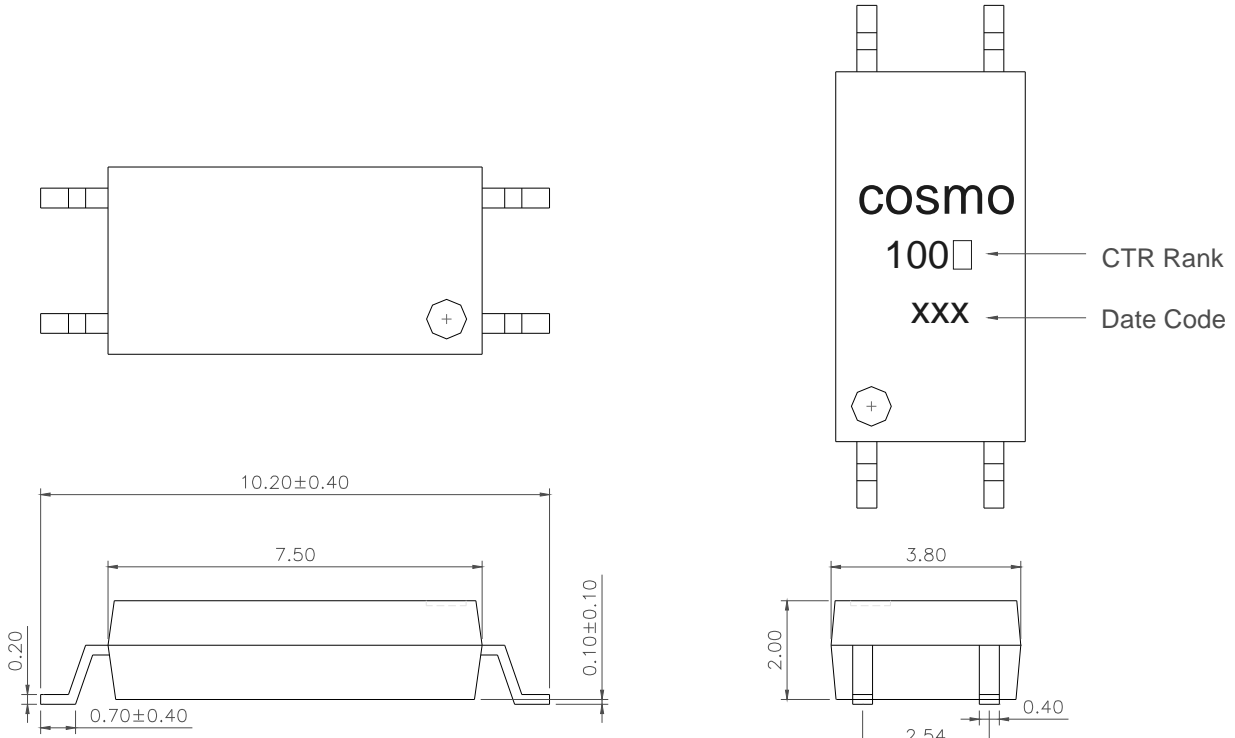
1. Hybrid substrates that require high density mounting.
2. Programmable controllers.
3. Switchmode power supplies.
4. Microprocessor system interface.

PRODUCT SPECIFICATION

DATE:06/04/2012

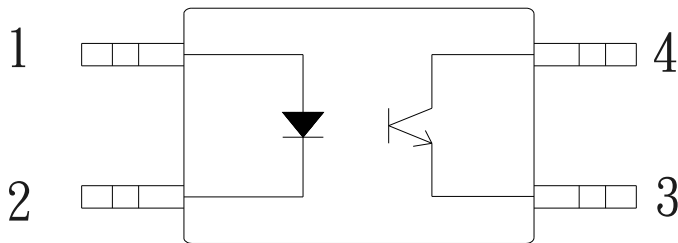
cosmo ELECTRONICS CORPORATION	Photocoupler : KT1000	NO.61P04116	REV. 7
		SHEET 2 OF 8	

1. OUTSIDE DIMENSION : UNIT (mm)



TOLERANCE : ± 0.2 mm

2. SCHEMATIC : TOP VIEW



1. Anode
2. Cathode
3. Emitter
4. Collector

PRODUCT SPECIFICATION

DATE:06/04/2012

cosmo ELECTRONICS CORPORATION	Photocoupler : KT1000	NO.61P04116	REV. 7
		SHEET 3 OF 8	

●Absolute Maximum Ratings(TA=25°C)

Parameter	Symbol	Rating	Unit	
Input	Forward current	IF	60	mA
	Peak forward current	IFP	1	A
	Reverse voltage	VR	6	V
	Power dissipation	PD	100	mW
Output	Collector-emitter voltage	VCEO	80	V
	Emitter-collector voltage	VECO	7	V
	Collector current	IC	50	mA
	Collector power dissipation	PC	150	mW
Total power dissipation		Ptot	250	mW
Isolation voltage 1 minute		Viso	5000	Vrms
Operating temperature		Topr	-55 to +100	°C
Storage temperature		Tstg	-55 to +125	°C
Soldering temperature 10 second		Tsol	260	°C

●Electro-optical Characteristics(TA=25°C)

Parameter	Symbol	Conditions	MIN.	TYP.	MAX.	Unit	
Input	Forward voltage	VF	IF=20mA	-	1.2	1.4	V
	Reverse current	IR	VR=4V	-	-	10	uA
	Terminal capacitance	Ct	V=0, f=1kHz	-	30	250	pF
Output	Collector dark current	ICEO	VCE=20V, IF=0	-	-	0.1	uA
	Collector-emitter breakdown voltage	BVCEO	IC=0.1mA, IF=0	80	-	-	V
	Emitter-collector breakdown voltage	BVECO	IE=100uA, IF=0	7	-	-	V
Transfer characteristics	Current transfer ratio	CTR	IF=5mA, VCE=5V	50	-	600	%
	Collector-emitter saturation voltage	VCE(sat)	IF=10mA, IC=1mA	-	0.1	0.3	V
	Isolation resistance	Riso	DC500V, 40 to 60%RH	5x10 ¹⁰	10 ¹¹	-	ohm
	Floating capacitance	Cf	V=0, f=1MHz	-	0.6	1.0	pF
	Response time (Rise)	tr	Vcc=2V, IC=2mA, RL=100ohm	-	5	-	us
Response time (Fall)	tf	-		4	-	us	

●Classification table of current transfer ratio is shown below.

CTR RANK	CTR(%)
KT1005	50 TO 150
KT1006	100 TO 300
KT1007	80 TO 160
KT1008	130 TO 260
KT1009	200 TO 400
KT1000	50 TO 600

PRODUCT SPECIFICATION

DATE:06/04/2012

cosmo

ELECTRONICS CORPORATION

Photocoupler :

KT1000

NO.61P04116

SHEET 4 OF 8

REV.

7

Fig.1 Relative Current Transfer Ratio vs. Ambient Temperature

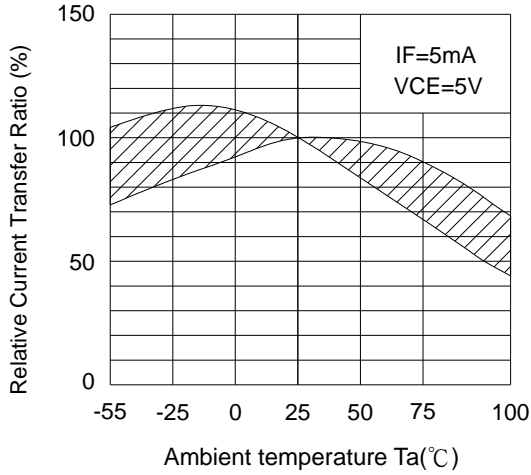


Fig.2 Diode Power Dissipation vs. Ambient Temperature

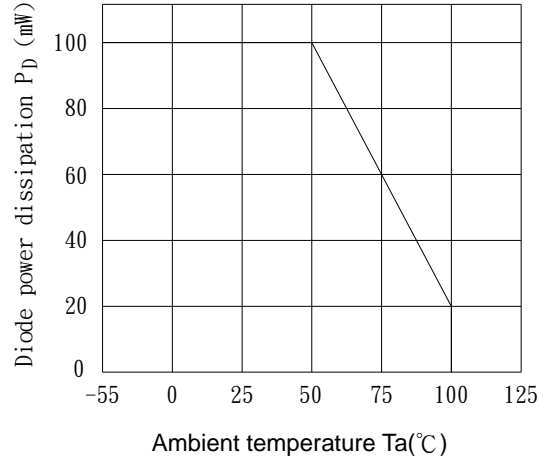


Fig.3 Collector Power Dissipation vs. Ambient Temperature

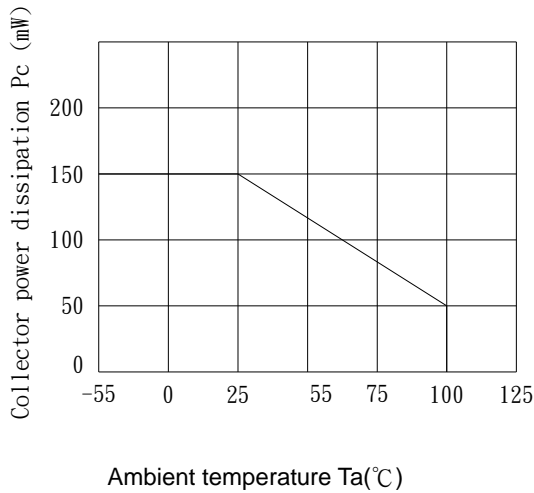


Fig.4 Total Power Dissipation vs. Ambient Temperature

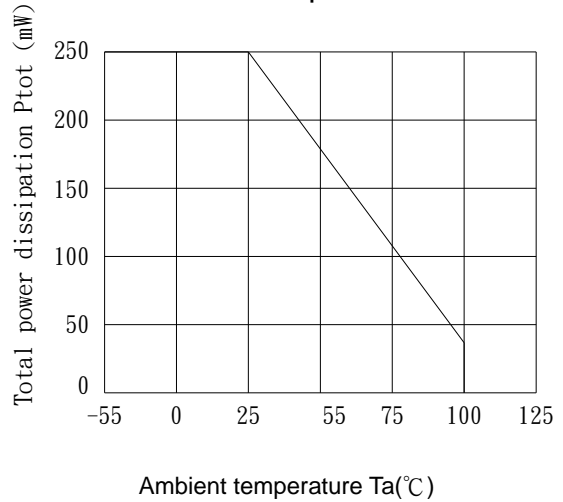


Fig.5 Current Transfer Ratio vs. Forward Current

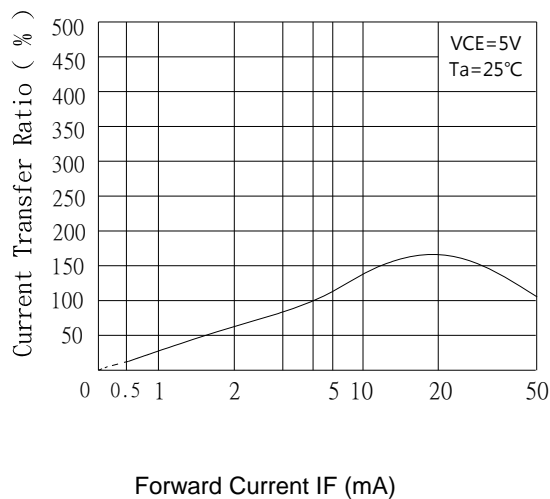
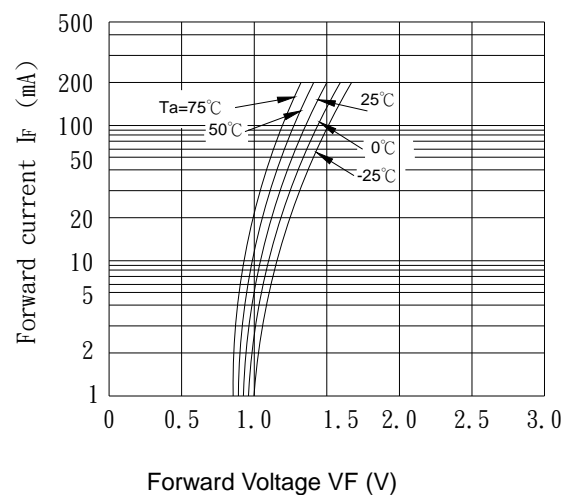


Fig.6 Forward Current vs. Forward Voltage



PRODUCT SPECIFICATION

DATE:06/04/2012

cosmo ELECTRONICS CORPORATION	Photocoupler :	NO.61P04116	REV. 7
	KT1000	SHEET 5 OF 8	

Fig.7 Collector Dark Current vs. Ambient Temperature

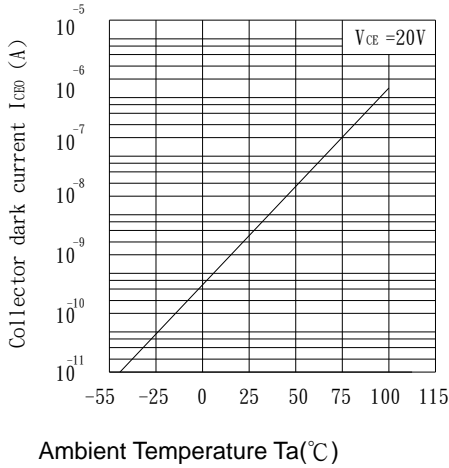


Fig.8 Collector Current vs. Collector-Emitter Voltage

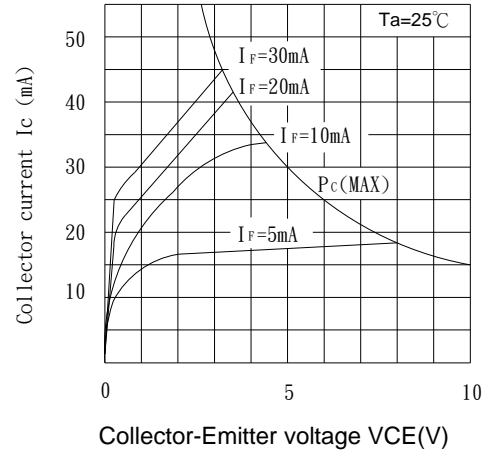


Fig.9 Response Time vs. Load Resistance

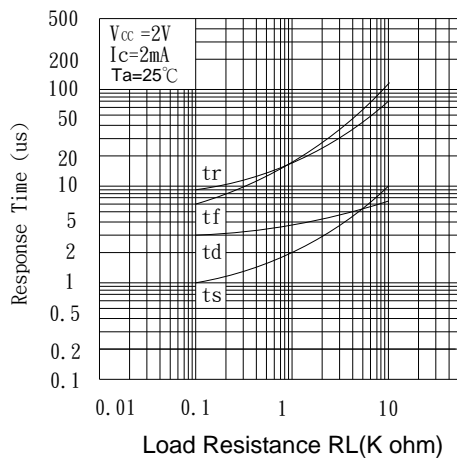
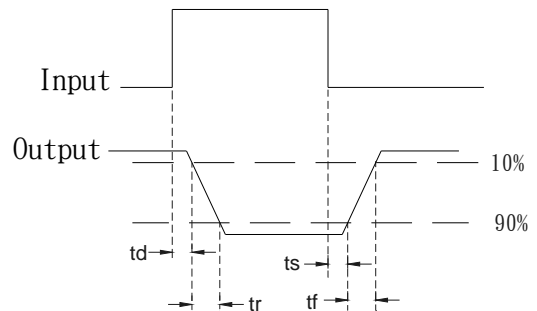
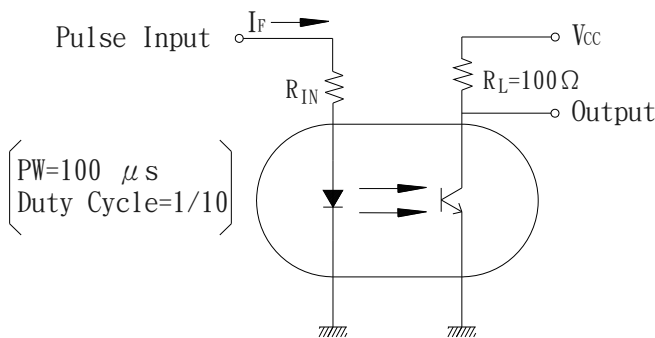


Fig.10 Test Circuit For Response Time

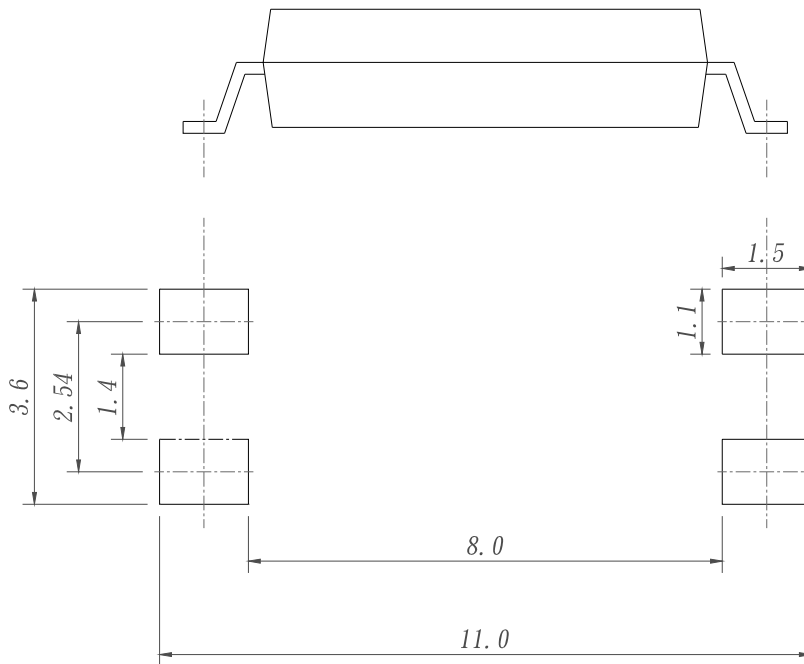


PRODUCT SPECIFICATION

DATE:06/04/2012

cosmo ELECTRONICS CORPORATION	Photocoupler :	NO.61P04116	REV. 7
	KT1000	SHEET 6 OF 8	

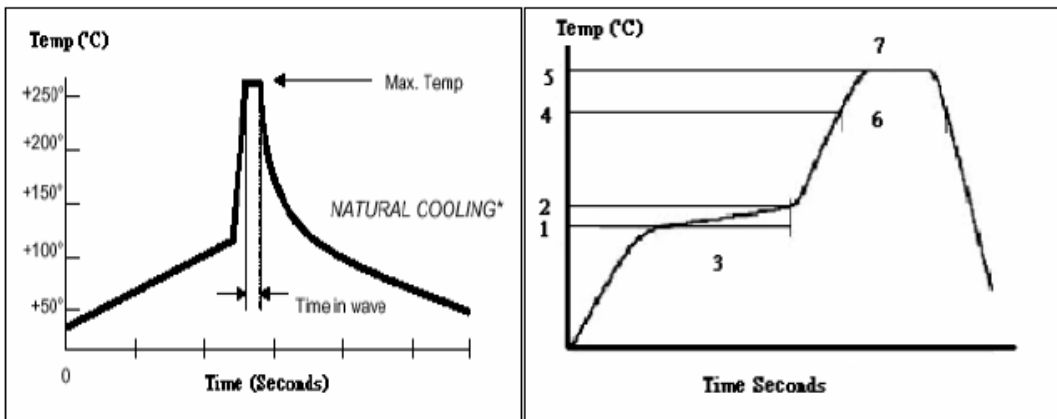
Fig.11 Recommended Mount Pad Dimensions



(Unit:mm)

Recommended Reflow / Wave Soldering Profile Conditions

	Recommended Profile Parameter	Wave Soldering	Infrared Red Reflow
1	Preheat start temperature, °C	N/A	150°C
2	Preheat finish temperature, °C	N/A	180°C
3	Preheat time, seconds	N/A	90 to 120 seconds
4	Melting temperature, °C	N/A	230°C
5	Peak temperature, °C	260°C	260°C
6	Time above melting, seconds	N/A	30 seconds
7	Peak temperature retained time, seconds	10 seconds	10 seconds



The recommended soldering conditions of Hand Soldering Test is Temperature=380±10°C, Duration=3+1 / -0 sec.

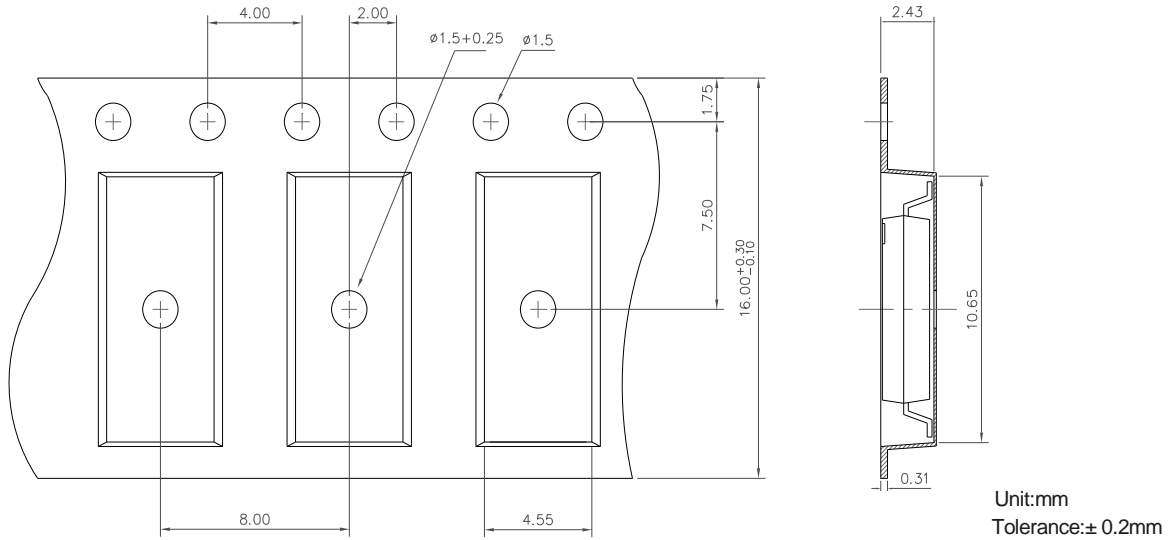
PRODUCT SPECIFICATION

DATE:06/04/2012

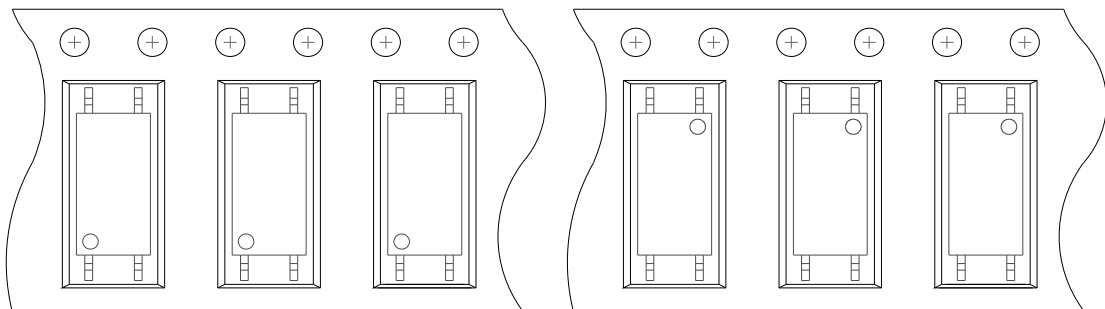
cosmo ELECTRONICS CORPORATION	Photocoupler : KT1000	NO.61P04116	REV. 7
		SHEET 7 OF 8	

TAPING SPECIFICATIONS

Tape



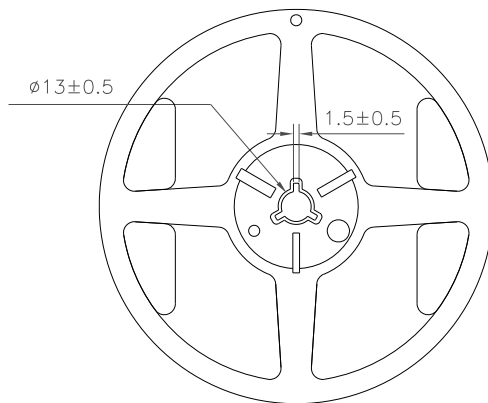
Direction



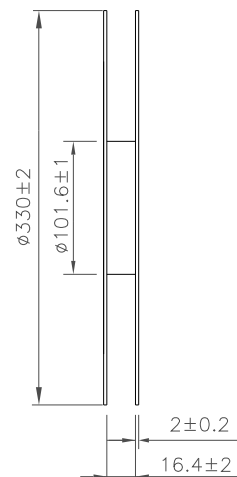
TLD

TRU

REEL



Scale 1:3



Packing:3000pcs/reel

PRODUCT SPECIFICATION

DATE:06/04/2012

cosmo ELECTRONICS CORPORATION	Photocoupler : KT1000	NO.61P04116	REV.
		SHEET 8 OF 8	7

NOTICE

The information contained in this document is a general product description and is subject to change without notice. Please contact cosmo in order to obtain the latest device data sheets before using any cosmo device. cosmo does not assume any responsibility for use of any circuitry described. No circuit patent licenses are implied. This publication is the property of cosmo. No part of this publication may be reproduced or copied in any form or by any means, or transferred to any third party without the prior written consent of cosmo Electronics Corporation.

The devices listed in this document are designed for general applications only in electronic equipment. No devices shall be deployed which require higher level of reliability such as:

- Medical and other life support equipments.
- Space application.
- Telecommunication equipment (trunk lines).
- Nuclear power control equipment.

Unless it received prior written approval from cosmo.

cosmo takes no responsibility for damages arise form the improper usage of our device. Please contact cosmo for further information regarding the above notices.