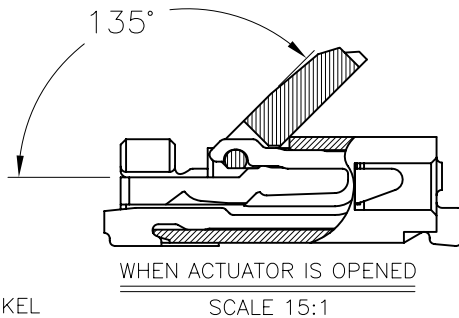
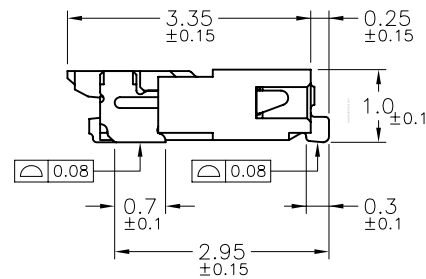
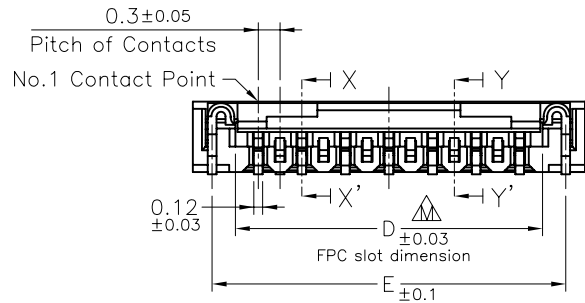
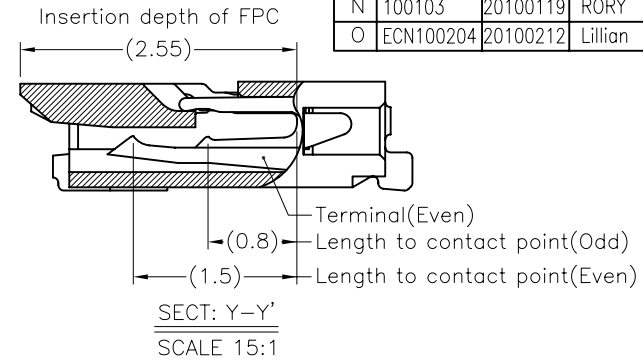
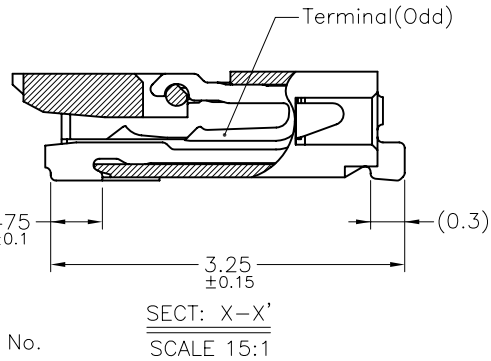
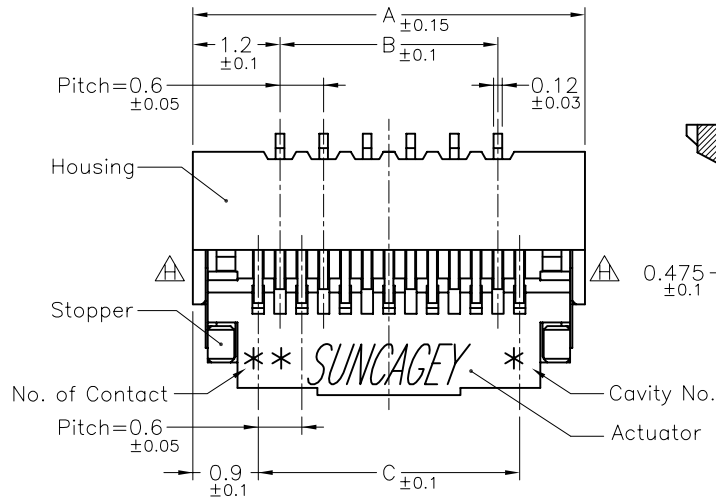


REV.	ECO NO.	DATE	SIGN	DESCRIPTION
M	ECN0909001	20090924	RORY	FPC插槽寬度公差改為±0.03
N	100103	20100119	RORY	刪除電鍍方式:S
O	ECN100204	20100212	Lillian	OPERATING TEMPERATURE:-55°C ~ +85°C



No. of Contacts	Catalog No.	DIM. A	DIM. B	DIM. C	DIM. D	DIM. E
09	BL125-09RL	4.2	1.8	2.4	3.03	3.7
11	BL125-11RL	4.8	2.4	3.0	3.63	4.3
13	BL125-13RL	5.4	3.0	3.6	4.23	4.9
15	BL125-15RL	6.0	3.6	4.2	4.83	5.5
17	BL125-17RL	6.6	4.2	4.8	5.43	6.1
19	BL125-19RL	7.2	4.8	5.4	6.03	6.7
21	BL125-21RL	7.8	5.4	6.0	6.63	7.3
23	BL125-23RL	8.4	6.0	6.6	7.23	7.9
25	BL125-25RL	9.0	6.6	7.2	7.83	8.5
27	BL125-27RL	9.6	7.2	7.8	8.43	9.1
29	BL125-29RL	10.2	7.8	8.4	9.03	9.7
31	BL125-31RL	10.8	8.4	9.0	9.63	10.3
33	BL125-33RL	11.4	9.0	9.6	10.23	10.9
35	BL125-35RL	12.0	9.6	10.2	10.83	11.5
37	BL125-37RL	12.6	10.2	10.8	11.43	12.1
39	BL125-39RL	13.2	10.8	11.4	12.03	12.7
41	BL125-41RL	13.8	11.4	12.0	12.63	13.3
43	BL125-43RL	14.4	12.0	12.6	13.23	13.9
45	BL125-45RL	15.0	12.6	13.2	13.83	14.5
49	BL125-49RL	16.2	13.8	14.4	15.03	15.7
51	BL125-51RL	16.8	14.4	15.0	15.63	16.3
57	BL125-57RL	18.6	16.2	16.8	17.43	18.1
61	BL125-61RL	19.8	17.4	18.0	18.63	19.3
67	BL125-67RL	21.6	19.2	19.8	20.43	21.1
71	BL125-71RL	22.8	20.4	21.0	21.63	22.3

NOTE:

1. MATERIAL:

HOUSING:LCP(UL 94V-0)  
ACTUATOR:LCP(UL 94V-0)  
TERMINAL:PHOSPHOR BRONZE  
STOPPER:PHOSPHOR BRONZE

2. PLATING:

TERMINAL:SEE ORDERING INFORMATION  
STOPPER:TIN OVER NICKEL(LEAD FREE)

3. PART NO. :

BL125-xx RL - TA xx

△ 3G-3U" GOLD OVER NICKEL  
△ GF-1U"~3U" GOLD OVER NICKEL

SERIES

PACKAGE  
TA-EMBOSSED TAPE

RIGHT ANGLE(LOWER CONTACT TYPE)

NO. OF CONTACTS

4. RATING:

OPERATING VOLTAGE:30V  
CURRENT RATING:0.2A  
OPERATING TEMPERATURE:-55°C ~ +85°C △

TOLERANCE UNLESS SPECIFIED	
LINEAR	ANGLE
.X XX	.X° XX
.XX XX	.X° XX
.XXX XX	.XX° XX

SHEET 1/4

DR. BY Rory

MATERIAL See Note 1.

SCALE 10/1

CHK. BY Robbie

FINISH See Note 2.

UNIT mm

APP. BY Robbie

PART NO. See Note 3.

**SCG**

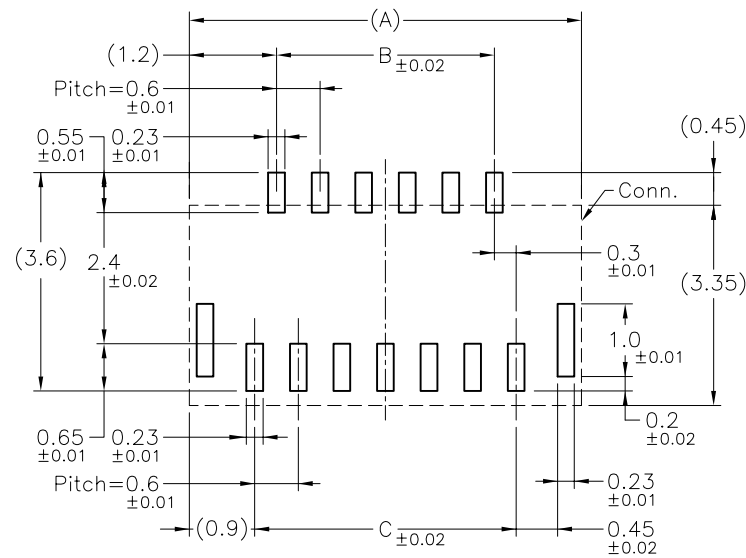
TAIWAN SUNGAGEY INDUSTRIAL CO., LTD.



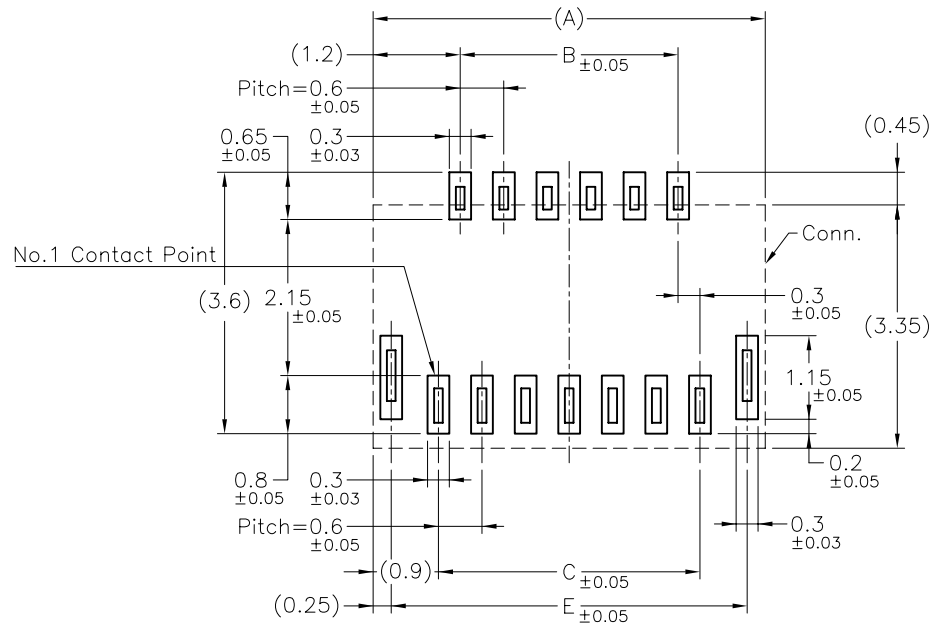
TITLE 0.3mm Pitch FPC Conn. E/O (H=1.0)

DWG NO. BL125-xxRL-TAxx

REV.	ECO NO.	DATE	SIGN	DESCRIPTION
M	ECN0909001	20090924	RORY	FPC插槽寬度公差改為±0.03
N	100103	20100119	RORY	刪除電鍍方式:S
O	ECN100204	20100212	Lillian	OPERATING TEMPERATURE:-55°C ~ +85°C



### Recommended metal mask pattern



FPC/FFC INSERT DIRECTION  
**PCB Layout**

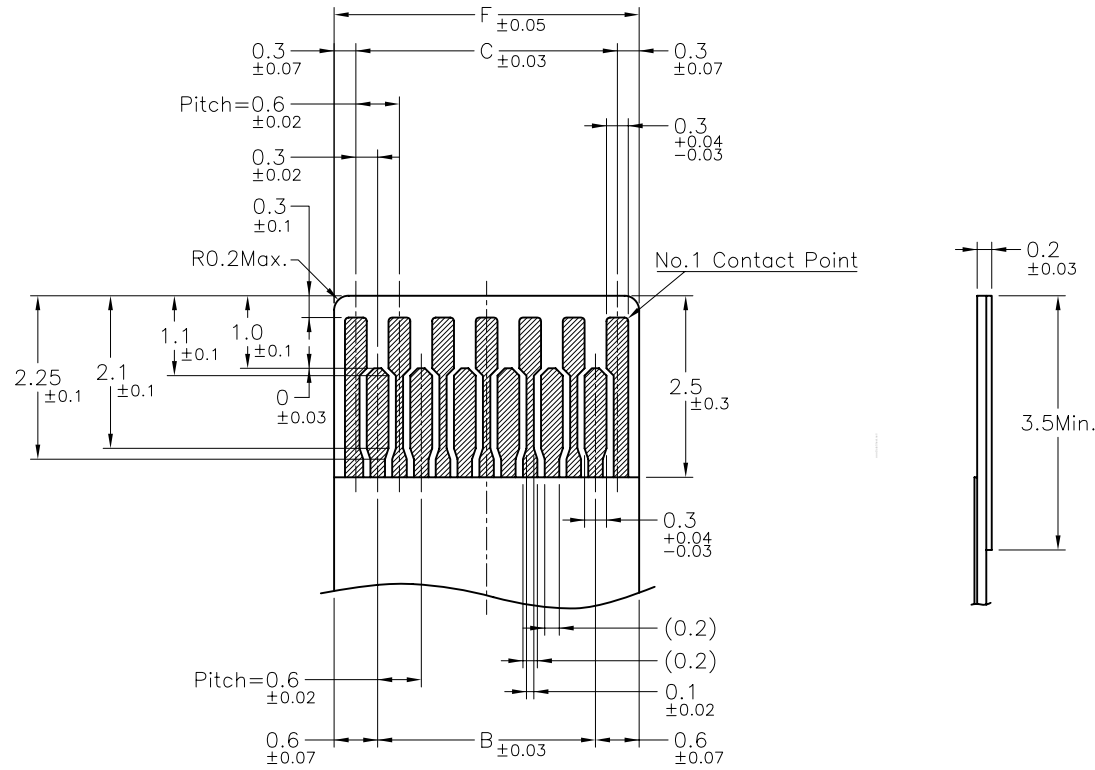
No. of Contacts	Catalog No.	DIM. A	DIM. B	DIM. C	DIM. D	DIM. E
09	BL125-09RL	4.2	1.8	2.4	3.03	3.7
11	BL125-11RL	4.8	2.4	3.0	3.63	4.3
13	BL125-13RL	5.4	3.0	3.6	4.23	4.9
15	BL125-15RL	6.0	3.6	4.2	4.83	5.5
17	BL125-17RL	6.6	4.2	4.8	5.43	6.1
19	BL125-19RL	7.2	4.8	5.4	6.03	6.7
21	BL125-21RL	7.8	5.4	6.0	6.63	7.3
23	BL125-23RL	8.4	6.0	6.6	7.23	7.9
25	BL125-25RL	9.0	6.6	7.2	7.83	8.5
27	BL125-27RL	9.6	7.2	7.8	8.43	9.1
29	BL125-29RL	10.2	7.8	8.4	9.03	9.7
31	BL125-31RL	10.8	8.4	9.0	9.63	10.3
33	BL125-33RL	11.4	9.0	9.6	10.23	10.9
35	BL125-35RL	12.0	9.6	10.2	10.83	11.5
37	BL125-37RL	12.6	10.2	10.8	11.43	12.1
39	BL125-39RL	13.2	10.8	11.4	12.03	12.7
41	BL125-41RL	13.8	11.4	12.0	12.63	13.3
43	BL125-43RL	14.4	12.0	12.6	13.23	13.9
45	BL125-45RL	15.0	12.6	13.2	13.83	14.5
49	BL125-49RL	16.2	13.8	14.4	15.03	15.7
51	BL125-51RL	16.8	14.4	15.0	15.63	16.3
57	BL125-57RL	18.6	16.2	16.8	17.43	18.1
61	BL125-61RL	19.8	17.4	18.0	18.63	19.3
67	BL125-67RL	21.6	19.2	19.8	20.43	21.1
71	BL125-71RL	22.8	20.4	21.0	21.63	22.3

TOLERANCE UNLESS SPECIFIED		SHEET 2/4	DR. BY Rory	MATERIAL
LINEAR	ANGLE	SCALE 10/1	CHK. BY Robbie	FINISH
.X XX	* XX	UNIT mm	APP. BY Robbie	PART NO.
.XX XX	* XX			
.XXX XX	.XX XX			

**SCG** TAIWAN SUNCAGEY INDUSTRIAL CO., LTD.

TITLE 0.3mm Pitch FPC Conn. E/O (H=1.0)  
 DWG NO. BL125-xxRL-TAxx

REV.	ECO NO.	DATE	SIGN	DESCRIPTION
M	ECN0909001	20090924	RORY	FPC插槽寬度公差改為±0.03
N	100103	20100119	RORY	刪除電鍍方式:S
O	ECN100204	20100212	Lillian	OPERATING TEMPERATURE:-55°C ~ +85°C



Applicable FPC

No. of Contacts	Catalog No.	DIM. B	DIM. C	DIM. F
09	BL125-09RL	1.8	2.4	3.0
11	BL125-11RL	2.4	3.0	3.6
13	BL125-13RL	3.0	3.6	4.2
15	BL125-15RL	3.6	4.2	4.8
17	BL125-17RL	4.2	4.8	5.4
19	BL125-19RL	4.8	5.4	6.0
21	BL125-21RL	5.4	6.0	6.6
23	BL125-23RL	6.0	6.6	7.2
25	BL125-25RL	6.6	7.2	7.8
27	BL125-27RL	7.2	7.8	8.4
29	BL125-29RL	7.8	8.4	9.0
31	BL125-31RL	8.4	9.0	9.6
33	BL125-33RL	9.0	9.6	10.2
35	BL125-35RL	9.6	10.2	10.8
37	BL125-37RL	10.2	10.8	11.4
39	BL125-39RL	10.8	11.4	12.0
41	BL125-41RL	11.4	12.0	12.6
43	BL125-43RL	12.0	12.6	13.2
45	BL125-45RL	12.6	13.2	13.8
49	BL125-49RL	13.8	14.4	15.0
51	BL125-51RL	14.4	15.0	15.6
57	BL125-57RL	16.2	16.8	17.4
61	BL125-61RL	17.4	18.0	18.6
67	BL125-67RL	19.2	19.8	20.4
71	BL125-71RL	20.4	21.0	21.6

TOLERANCE UNLESS SPECIFIED		SHEET 3/4	DR. BY Rory	MATERIAL
LINEAR	ANGLE			
.X XX	.X° XX	SCALE 10/1	CHK. BY Robbie	FINISH
.XX XX	.X° XX			
.XXX XX	.XX° XX	UNIT mm	APP. BY Robbie	PART NO.

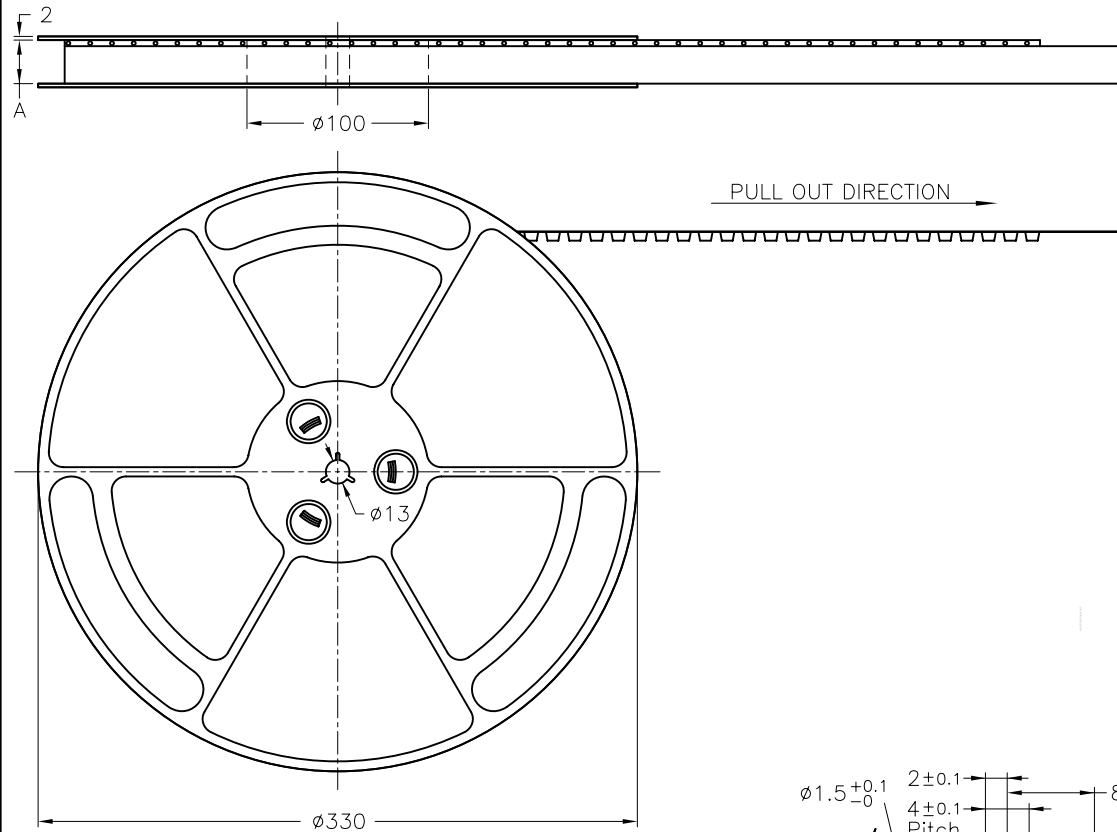
**SCG** TAIWAN SUNCAGEY INDUSTRIAL CO., LTD.

TITLE 0.3mm Pitch FPC Conn. E/O (H=1.0)

DWG NO. BL125-xxRL-TAxx

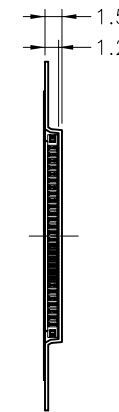
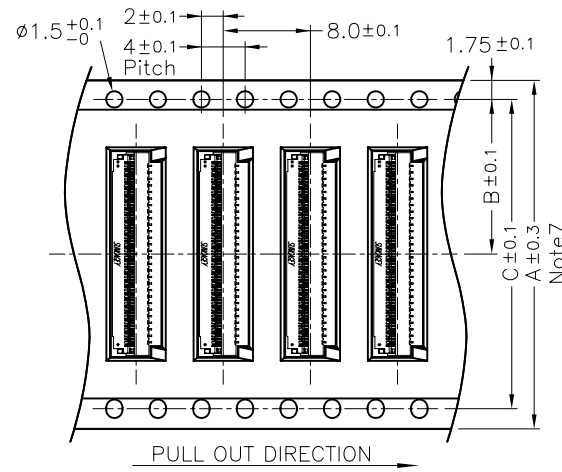
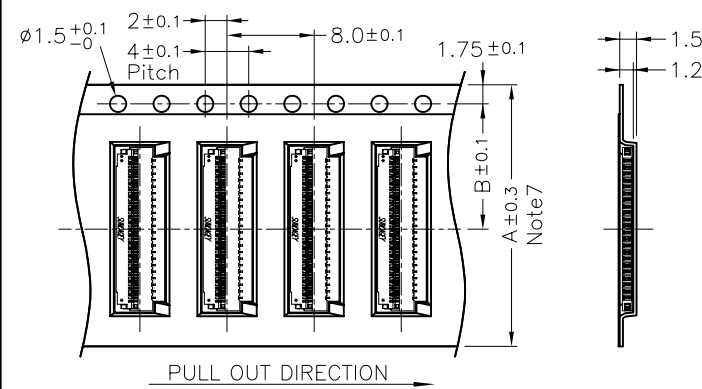
# EMBOSSED TAPE PACKING BL125 SERIES RIGHT ANGLE TYPE

REV.	ECO NO.	DATE	SIGN	DESCRIPTION
M	ECN0909001	20090924	RORY	FPC插槽寬度公差改為±0.03
N	100103	20100119	RORY	刪除電鍍方式:S
O	ECN100204	20100212	Lillian	OPERATING TEMPERATURE:-55°C ~ +85°C



### Note:

- 1.10 sprocket hole pitch cumulative tolerance  $\pm 0.2$ .
2. Carrier camber is within 1 mm in 250mm.
3. Material : Black Conductive Polystyrene Alloy.
4. All dimensions meet EIA-481-C requirements.
5. Thickness :  $0.3 \pm 0.05$ mm.
6. Component load per 13'' reel : 5000pcs.
7. For tape width (dimension A) 16 and 24mm a pilot hole is provided on one side.  
For tape width (dimension A) 32mm pilot holes are provided on both sides.



Note7				
No. of Contacts	Part Number	DIM. A	DIM. B	DIM. C
09	BL125-09RL-TAxx	16	7.5	—
25	BL125-25RL-TAxx	16	7.5	—
27	BL125-27RL-TAxx	24	11.5	—
51	BL125-51RL-TAxx	24	11.5	—
57	BL125-57RL-TAxx	32	14.2	28.4
67	BL125-67RL-TAxx	32	14.2	28.4
71	BL125-71RL-TAxx	44	20.2	40.4

TOLERANCE UNLESS SPECIFIED		SHEET 4/4	DR. BY	Rory	MATERIAL	See Note 3.
LINEAR	ANGLE	SCALE	CHK. BY	Robbie	FINISH	
.X XX	.X° XX	UNIT	APP. BY	Robbie	PART NO.	
.XX XX	.X° XX					
.XXX XX	.XX° XX					

SCG TAIWAN SUNCAGEY INDUSTRIAL CO., LTD.	
TITLE	0.3mm Pitch FPC Conn. E/O (H=1.0)
DWG NO.	BL125-xxRL-TAxx