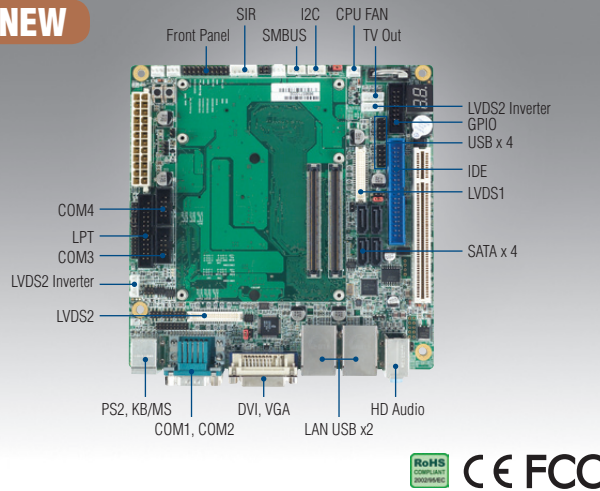


SOM-AB5710

COM-Express Application Board

NEW



Features

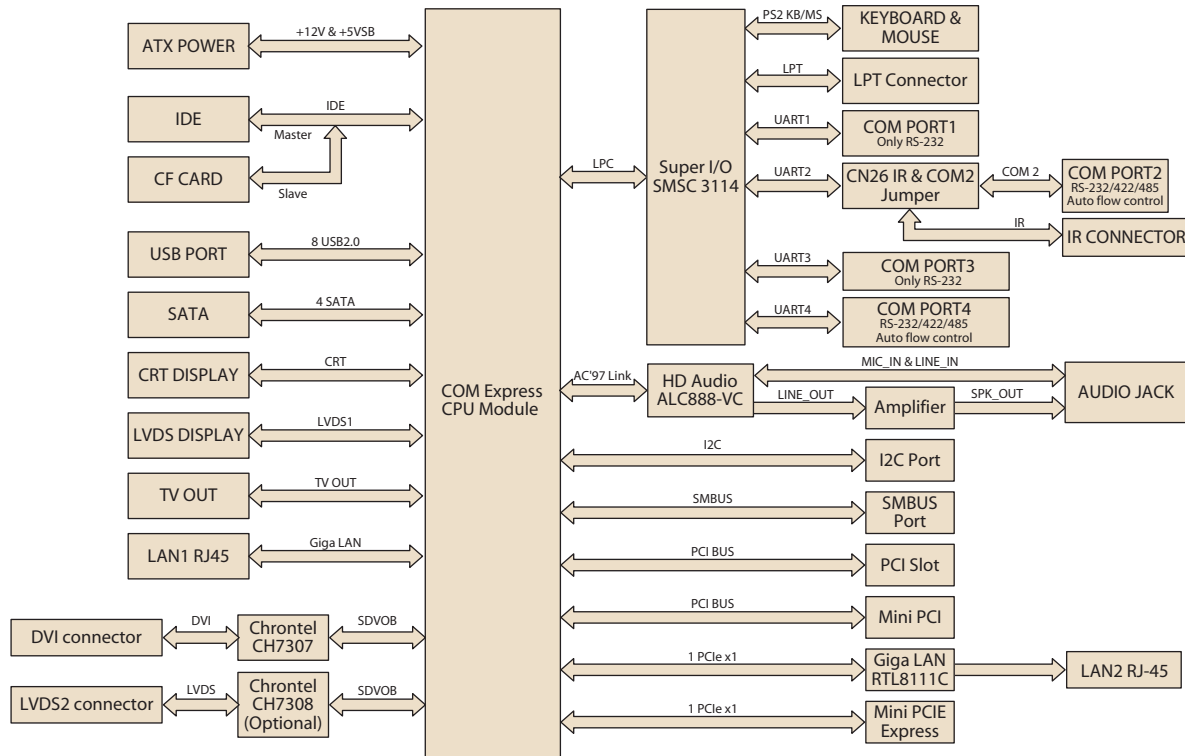
- Supports COM-Express Basic / Compact / Mini Modules
- Compatible with COM.0 R1.0, Type I & Type II Pin-out
- Mini-ITX form factor
- Display type: VGA, LVDS, DVI, TV out
- Expansion: PCI, Mini PCI, Mini PCI-Express

Specifications

Form Factor		Mini-ITX form factor
Compatible Models		Advantech COM-Express Basic Modules (125 x 95 mm), COM-Express Compact Modules (95 x 95 mm) and COM-Express Mini Modules (55 x 84 mm) series
Display	LVDS	LVDS1 (SPEC depends on CPU Module) 48-bit LVDS2 (Supports on SOM-5786)(LVDS2 is optional)
	VGA	1 port. (SPEC depends on CPU Module)
	DVI	1 port, supported by Chronitel CH7307
	TV Out	1 port. (SPEC depends on CPU Module)
	Dual Display	LVDS1, LVDS2, DVI, VGA, TV out
Ethernet	Interface	10/100/1000 Mbps
	Controller	GbE LAN1: SPEC depends on CPU Module GbE LAN2: Realtek(RTL8111C)
	Connector	RJ45 x 2
Audio	Chipset	ALC888-VC
	Amplifier	Yes. (2.2W)
Expansion	PCIe x16 Slot	-
	PCIe x1 Slots	-
	Mini PCIe	1
	PCI Slots	1
	MiniPCI Socket	1
	ISA Slot	-
SATA	Max Data Transfer Rate	Depends on CPU module SPEC
	Channel	4
SSD	Compact Flash	Supports CompactFlash Card TYPE I/II
Rear I/O	VGA	1
	DVI	1
	Ethernet	2
	USB	4 (USB 2.0)
	Audio	3 (Mic-in, Line-in, Line-out)
	Serial	2 (COM1 supports RS-232, COM2 supports RS-232/422/485)
	PS/2	2 (keyboard and mouse)
Internal Connectors	LVDS	2 (LVDS1 and 48-bit LVDS2 (LVDS2 is optional))
	USB	4 x USB 2.0 2 COM (COM3, COM4) COM3 supports RS-232 COM4 supports RS-232/422/485
	Serial	COM3 supports RS-232 COM4 supports RS-232/422/485
	IDE	1 x 40 pin
	SATA	4
	Compact Flash	1
	Parallel	1
	IrDA	1 (share with COM2)
	FDD	-
	DIO	8-bit (GPI 4-bit/GPO 4-bit)
	CPU FAN	2
	System FAN	2
	SMBUS	1
	LPC	1
	I2C	1
Port 80	1	
Power	Power Type	ATX/ AT modes
Environment	Operating Temperature	0 - 60° C (32 - 140° F)
	Operating Humidity	0% - 90% relative humidity, non-condensing
Mechanical	Dimensions	170 mm x 170 mm (6.69" x 6.69")

Note: All above specifications are subject to change. Please confirm details with Advantech Sales before placing orders.

Block Diagram



Ordering Information

Part No.	Compatible model	LVDS1	LVDS2	DVI	CRT	TV Out	Giga LAN	HD Audio	COM	PCI	Mini PCI	Mini PCIe	USB 2.0	SATA	LPT	KB/MS	IrDA	IDE	CF	Operating Temp.
SOM-AB5710-5786A1E	SOM-5786 series	Yes	Optional	Yes	Yes	Yes	2	Yes	4	1	1	1	8	3	Yes	Yes	Yes	Yes	Yes	0 ~ 60° C
SOM-AB5710-5761A1E	SOM-5761/6761 series	Yes	Optional	Yes	Yes	Yes	2	Yes	4	1	1	1	8	2	Yes	Yes	Yes	Yes	Yes	0 ~ 60° C

Note: For more compatible models, please contact with Advantech Sales for details.

Packing List

Part No.	Description	Quantity
1700008894	SOM-AB5710 Evaluation board	1
1703150102	Serial Cable ATA 7P/7P 30CM	1
1700100170	Wire BIG4P/Series ATA power 15P 10cm	1
1700100170	A Cable USB-A(F) x 2/2 x 5P-2.54 17.5 cm W/BKT F/5	1
1700000446	F Cable D-SUB 25P(F)/IDE#3 26P-2.54 45 cm	1
1701400452	Flat IDE CABLE 40P GRAY FOR DMA-66 PIN20 I.P. 45 cm	1
1701100300	Flat COM Cable D-SUB 9P(M) W/Bracket 320 mm	1
1700001892	Wire 5P TV-out 30 cm	1

Optional Accessories

Part No.	Description
1960019193T000	I/O Shield Bracket 158.8 x 45.5 mm

