

PLEASE CHECK WWW.MOLEX.COM FOR LATEST PART INFORMATION

Part Number: [0353030350](#)
Status: **Active**
Description: 2.00mm (.079") Pitch Wire-to-Board Header, Vertical, Blade Pin, Shrouded, 3 Circuits

Documents:

[3D Model](#) [Product Specification PS-35303-001 \(PDF\)](#)
[Drawing \(PDF\)](#) [RoHS Certificate of Compliance \(PDF\)](#)

Agency Certification

CSA LR 19980
 UL E29179

General

Product Family PCB Headers
 Series [35303](#)
 Application Wire-to-Board
 Product Name N/A

Physical

Breakaway No
 Circuits (Loaded) 3
 Circuits (maximum) 3
 Color - Resin Natural
 Durability (mating cycles max) 30
 First Mate / Last Break No
 Flammability 94V-0
 Glow-Wire Compliant No
 Guide to Mating Part No
 Keying to Mating Part None
 Lock to Mating Part Yes
 Material - Metal Phosphor Bronze
 Material - Plating Mating Tin
 Material - Plating Termination Tin
 Material - Resin Nylon
 Number of Rows 1
 Orientation Vertical
 PC Tail Length (in) 0.138 In
 PC Tail Length (mm) 3.50 mm
 PCB Locator No
 PCB Retention Yes
 PCB Thickness Recommended (in) 0.062 In
 PCB Thickness Recommended (mm) 1.60 mm
 Packaging Type Tube
 Pitch - Mating Interface (in) 0.079 In
 Pitch - Mating Interface (mm) 2.00 mm
 Plating min: Mating (µin) 32
 Plating min: Mating (µm) 0.80
 Plating min: Termination (µin) 32
 Plating min: Termination (µm) 0.80
 Polarized to PCB No
 Shrouded Partial
 Stackable No
 Surface Mount Compatible (SMC) No
 Temperature Range - Operating -20°C to +85°C
 Termination Interface: Style Through Hole

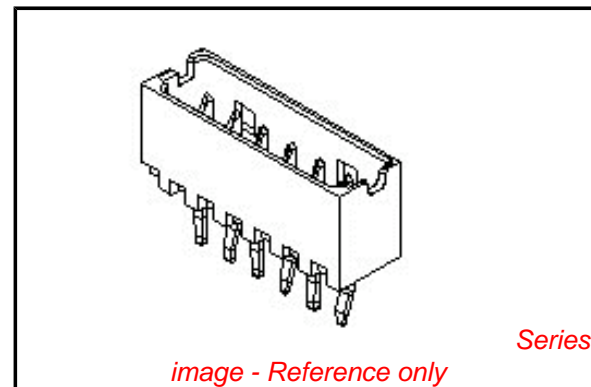


image - Reference only

EU RoHS

**ELV and RoHS
 Compliant**
REACH SVHC
 Not Reviewed
**Halogen-Free
 Status**

China RoHS



**Need more information on product
 environmental compliance?**

Email productcompliance@molex.com
 For a multiple part number RoHS Certificate of
 Compliance, [click here](#)

Please visit the [Contact Us](#) section for any
 non-product compliance questions.

Search Parts in this Series

[35303Series](#)

Mates With

[51004 Wire-to-Board Housing](#)

Electrical

Current - Maximum per Contact

2A

Voltage - Maximum

125V

Material Info**Reference - Drawing Numbers**

Product Specification

PS-35303-001

Sales Drawing

SD-35303-001, SD-35303-010

This document was generated on 04/15/2010

PLEASE CHECK WWW.MOLEX.COM FOR LATEST PART INFORMATION

DWG. NO.
SD-35303-001

SIMILAR ITEM

PROJECT NO.

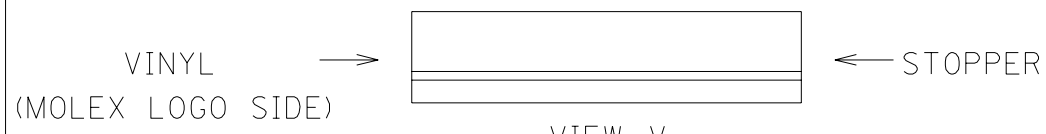
5

4

3

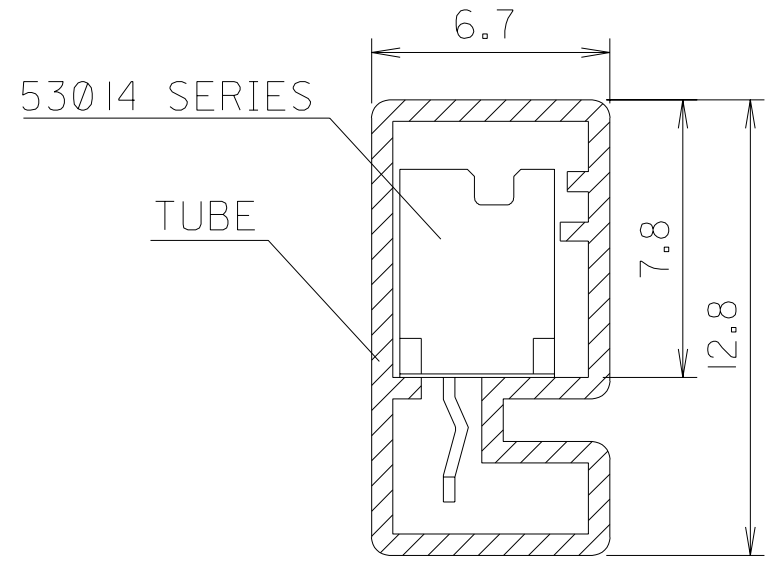
2

1



VIEW V

- NOTES
1. TUBE : STOPPER & VINYL LOCKING TYPE
 2. THICKNESS : 0.6+
 3. LENGTH : 550mm



- LEGEND 35303-*** 5 *
- COLOR : 0 --- NATURAL
 1 --- BLACK
 2 --- RED
 3 --- YELLOW
 4 --- BLUE
- CKT (02, 03, 04, ...)

15	35303155*	35303-155*	8	35303085*	35303-085*	53014 SERIES	
14	35303145*	-145*	7	35303075*	-075*		
13	35303135*	-135*	6	35303065*	-065*		
12	35303125*	-125*	5	35303055*	-055*		
11	35303115*	-115*	4	35303045*	-045*		
10	35303105*	-105*	3	35303035*	-035*		
9	35303095*	35303-095*	2	35303025*	35303-025*		
CKTS	MAT'L NO.	ENG NO.	CKTS	MAT'L NO.	ENG NO.		USED ON

NEW RELEASED
 EC NO. KOR2004-0124
 DRWN: K.S.KIM (040324)
 CH'K: J.K.OH
 APPR: C.W.LEE

DESCRIPTION

MAJOR

CRITICAL

REV

GENERAL TOLERANCES:
(UNLESS SPECIFIED)

	mm	INCH
4 PLACES	±0.	±.
3 PLACES	±0.	±.
2 PLACES	±0.	±.
1 PLACE	±0.	±.

ANGULAR: ± °

DRAFT WHERE APPLICABLE MUST REMAIN WITHIN DIMENSIONS

SCALE NONE

DESIGN UNITS
 mm INCH

THIRD ANGLE PROJECTION

DRAWN BY & DATE
 H.S.SHIN (910220)

CHECKED BY & DATE
 J.K.OH

APPROVED BY & DATE
 C.W.LEE

CAD FILENAME
 SD-35303-001

DIMENSIONS:
 mm INCH mm ONLY

SHT REV
 REVISE ON CAD ONLY

TITLE:
 TUBE PACKAGED FOR 53014 SERIES

MOLEX INCORPORATED KOREA

MATERIAL NO. SEE TABLE
 DRAWING NO. SD-35303-001
 SHEET NO. 1 OF 1

THIS DRAWING CONTAINS INFORMATION THAT IS PROPRIETARY TO MOLEX INCORPORATED AND SHOULD NOT BE USED WITHOUT WRITTEN PERMISSION.

SIZE A

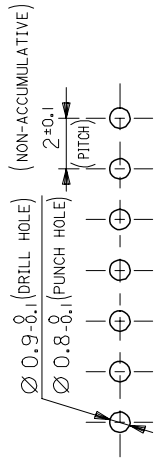
5

4

3

2

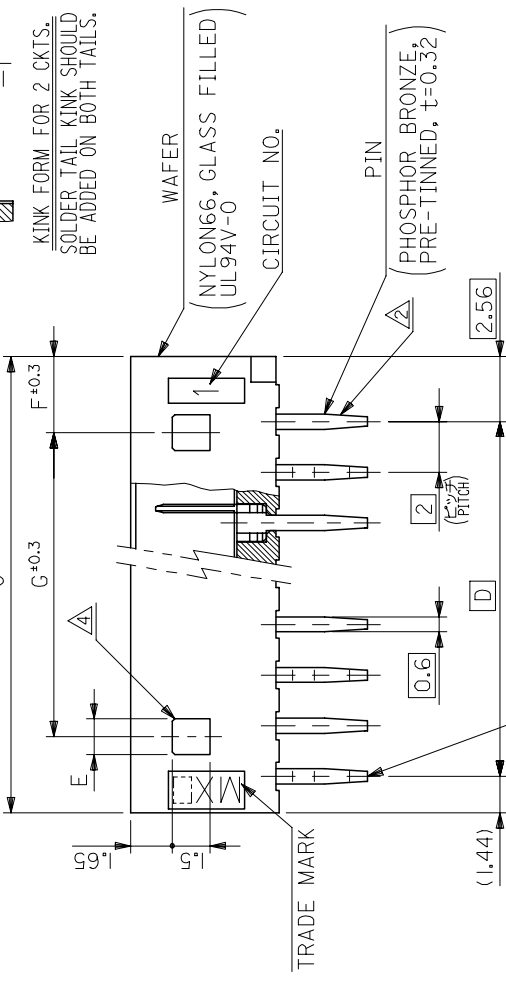
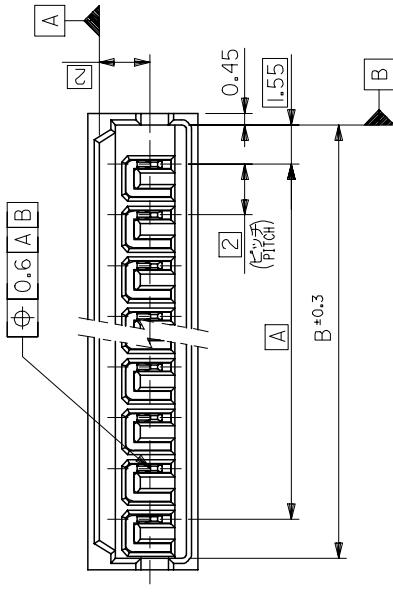
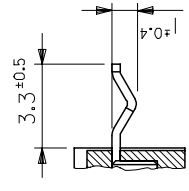
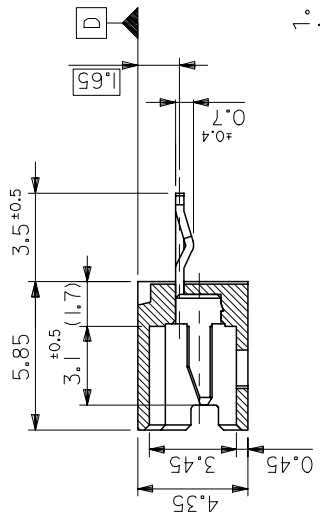
MX-A4



RECOMMENDED P.C. BOARD
HOLE DIMENSION(REFERENCE) t=1.6

NOTES

- MATES WITH : 51004-***00
- KINK TO BE ADDED ON THE ODD NUMBER SOLDER TAILS.(FROM THE TRADE MARK SIDE.)
- * MARK INDICATES DYED COLOR :
"0" NATURAL, "1" BLACK, "2" RED, "3" YELLOW, "4" BLUE
- LOCKING HOLE : 1 PLACE FOR 2, 3 CKTS. AND MORE THAN 4 CKTS.



PROJECT NO.	SMILAR ITEM	DWG. NO.	SCALE	DESIGN UNITS	THIRD ANGLE PROJECTION	TITLE	APPLIED ITEM	ENG. NO.	ENG NO. Δ	NO. OF CKTS.
26	3	1.4	28	31.1	28	53014-15*	35303-155*	15		
24	3	1.4	26	29.1	26	-14*	35303-145*	14		
22	3	1.4	24	27.1	24	-13*	35303-135*	13		
20	3	1.4	22	25.1	22	-12*	35303-125*	12		
18	3	1.4	20	23.1	20	-11*	35303-115*	11		
16	3	1.4	18	21.1	18	-10*	35303-105*	10		
14	3	1.4	16	19.1	16	-09*	35303-095*	9		
12	3	1.4	14	17.1	14	-08*	35303-085*	8		
10	3	1.4	12	15.1	12	-07*	35303-075*	7		
8	3	1.4	10	13.1	10	-06*	35303-065*	6		
6	3	1.4	8	11.1	8	-05*	35303-055*	5		
4	3	1.4	6	9.1	6	-04*	35303-045*	4		
---	4	3.4	4	7.1	4	-03*	35303-035*	3		
---	3	1.4	2	5.1	2	53014-02*	35303-025*	2		
G	F	E	D	C	B	A	ENG. NO. Δ		ENG NO. Δ	

DO NOT SCALE DRAWING
DIMENSION IN METRIC

NEW RELEASED
ECN NO. KOR2006-0082
DRWN: K.S.KIM (060102)
CHK: Y.SOO/KIM
APP: S.H.CHOI

DESCRIPTION

QUALITY SYMBOLS
MAJOR \blacktriangle
CRITICAL \triangle

GENERAL TOLERANCES:
(UNLESS SPECIFIED)
MITI \pm
INCH \pm
4 PLACES $\pm 0.$
3 PLACES $\pm 0.$
2 PLACES $\pm 0.$
1 PLACE $\pm 0.$
ANGULAR: \pm

DRAFT WHERE APPLICABLE MUST REMAIN WITHIN DIMENSIONS

SCALE: 5:1
DESIGN UNITS: MITI/INCH
DRAWN BY & DATE: K.S.KIM (060102)
CHECKED BY & DATE: Y.SOO/KIM
APPROVED BY & DATE: S.H.CHOI

CAD FILENAME: SD-35303-010

TITLE: 2.0 LOW PROFILE WAFER ASSY

MATERIAL NO. MOLEX MOLEX INCORPORATED

DRAWING NO. SD-35303-010

SHEET NO. 1 OF 1

REVISE ON CAD ONLY

NO. OF CKTS.

SIZE B

KOREA

MX-A3