

SMPS Inductor

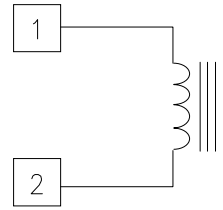
Iron Powder Material (Hydrogen Reduced)

Well Suited for Switch Mode Power Supplies and Regulator Applications.

Toroid Mount Available

Wire UL rated Class B (130°C) or better

Schematic Diagram



Electrical Specifications at 25°C

Part Number	L ⁽¹⁾ (μ H) Typ.	ET _{OP} ⁽²⁾ (V μ S) Max.	I ⁽³⁾ max. Amps	Energy min. ⁽⁴⁾ (μ J)	DCR Max. (m Ω)	Lead Size AWG
L-20914	250	66	4.2	1540	83.3	19

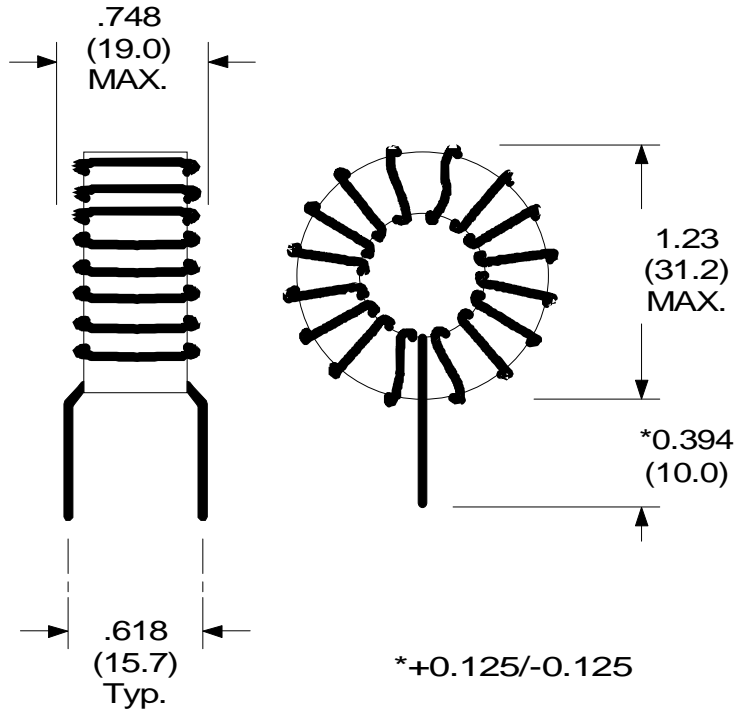
1) Typical Inductance in circuit.

Inductance (No DC) 251.1 μ H \pm 10% Tested @ 10 KHz & 100mV

2) Operational ET

3) Maximum DC current. This value is for a 30°C temperature rise.

4) Energy storage capability of component in micro Joules.



Physical Dimensions
inches (mm)

Leads are #19 AWG
0.037 (.940)

RHOMBUS P/N: L-20914

CUST P/N:

NAME:

DATE: 2/4/00

SHEET: 1 OF 1