

1

PRODUCT OVERVIEW

OVERVIEW

The S3C72N8/C72N5 single-chip CMOS microcontroller has been designed for high performance using Samsung's newest 4-bit CPU core, SAM47 (Samsung Arrangeable Microcontrollers).

With features such as LCD direct drive capability, 8-bit timer/counter, and serial I/O, the S3C72N8/C72N5 offer an excellent design solution for a wide variety of applications that require LCD functions.

Up to 40 pins of the 80-pin QFP package can be dedicated to I/O. Six vectored interrupts provide fast response to internal and external events. In addition, the S3C72N8/C72N5's advanced CMOS technology provides for low power consumption and a wide operating voltage range.

OTP

The S3C72N8/C72N5 microcontroller is also available in OTP (One Time Programmable) version, S3P72N8/P72N5. S3P72N8/P72N5 microcontroller has an on-chip 8/16-Kbyte one-time-programmable EPROM instead of masked ROM. The S3P72N8/P72N5 is comparable to S3C72N8/C72N5, both in function and in pin configuration.

FEATURES

Memory

- 512 × 4-bit RAM
- 8 K × 8-bit ROM (S3C72N8/P72N8)
- 16 K × 8-bit ROM (S3C72N5/P72N5)

I/O Pins

- Input only: 8 pins
- I/O: 24 pins
- Output: 8 pins sharing with segment driver outputs

LCD Controller/Driver

- Maximum 16-digit LCD direct drive capability
- 32 segment, 4 common pins
- Display modes: Static, 1/2 duty (1/2 bias), 1/3 duty (1/2 or 1/3 bias), 1/4 duty (1/3 bias)

8-Bit Basic Timer

- Programmable interval timer
- Watchdog timer

8-Bit Timer/Counter 0

- Programmable 8-bit timer
- External event counter
- Arbitrary clock frequency output
- Serial I/O interface clock generator

Watch Timer

- Real-time and interval time measurement
- Four frequency outputs to BUZ pin
- Clock source generation for LCD

8-Bit Serial I/O Interface

- 8-bit transmit/receive mode
- 8-bit receive only mode
- LSB-first or MSB-first transmission selectable
- Internal or external clock source

Bit Sequential Carrier

- Support 16-bit serial data transfer in arbitrary format

Interrupts

- Three internal vectored interrupts
- Three external vectored interrupts
- Two quasi-interrupts

Memory-Mapped I/O Structure

- Data memory bank 15

Two Power-Down Modes

- Idle mode (only CPU clock stops)
- Stop mode (main or sub system oscillation stops)

Oscillation Sources

- Crystal, ceramic, or RC for main system clock
- Crystal or external oscillator for subsystem clock
- Main system clock frequency: 4.19 MHz (typical)
- Subsystem clock frequency: 32.768 kHz
- CPU clock divider circuit (by 4, 8, or 64)

Instruction Execution Times

- 0.95, 1.91, 15.3 μs at 4.19 MHz (main)
- 122 μs at 32.768 kHz (subsystem)

Operating Temperature

- –40 °C to 85 °C

Operating Voltage Range

- 1.8 V to 5.5 V

Package Type

- 80-pin QFP

BLOCK DIAGRAM

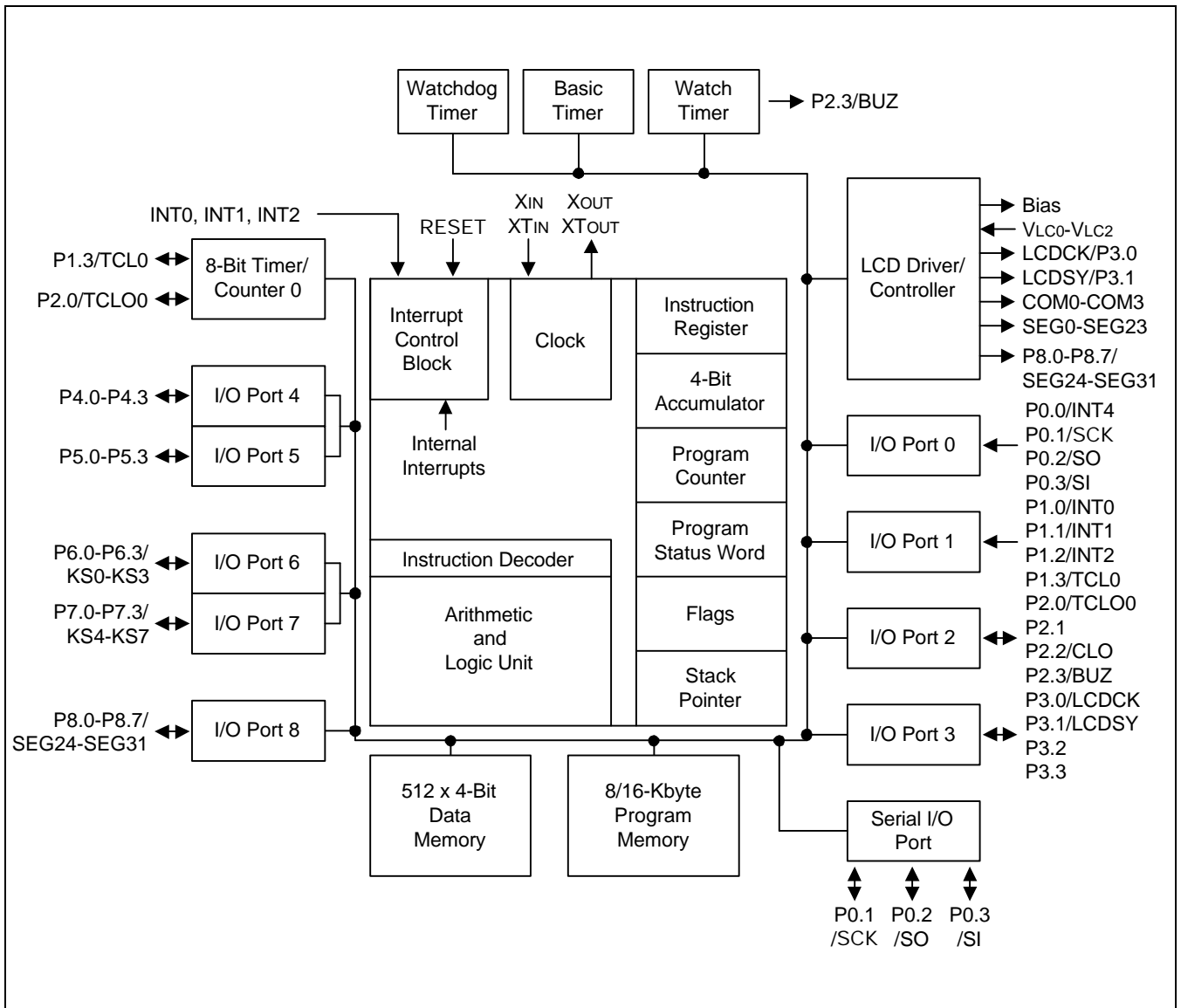


Figure 1-1. S3C72N8/C72N5 Simplified Block Diagram

PIN ASSIGNMENTS

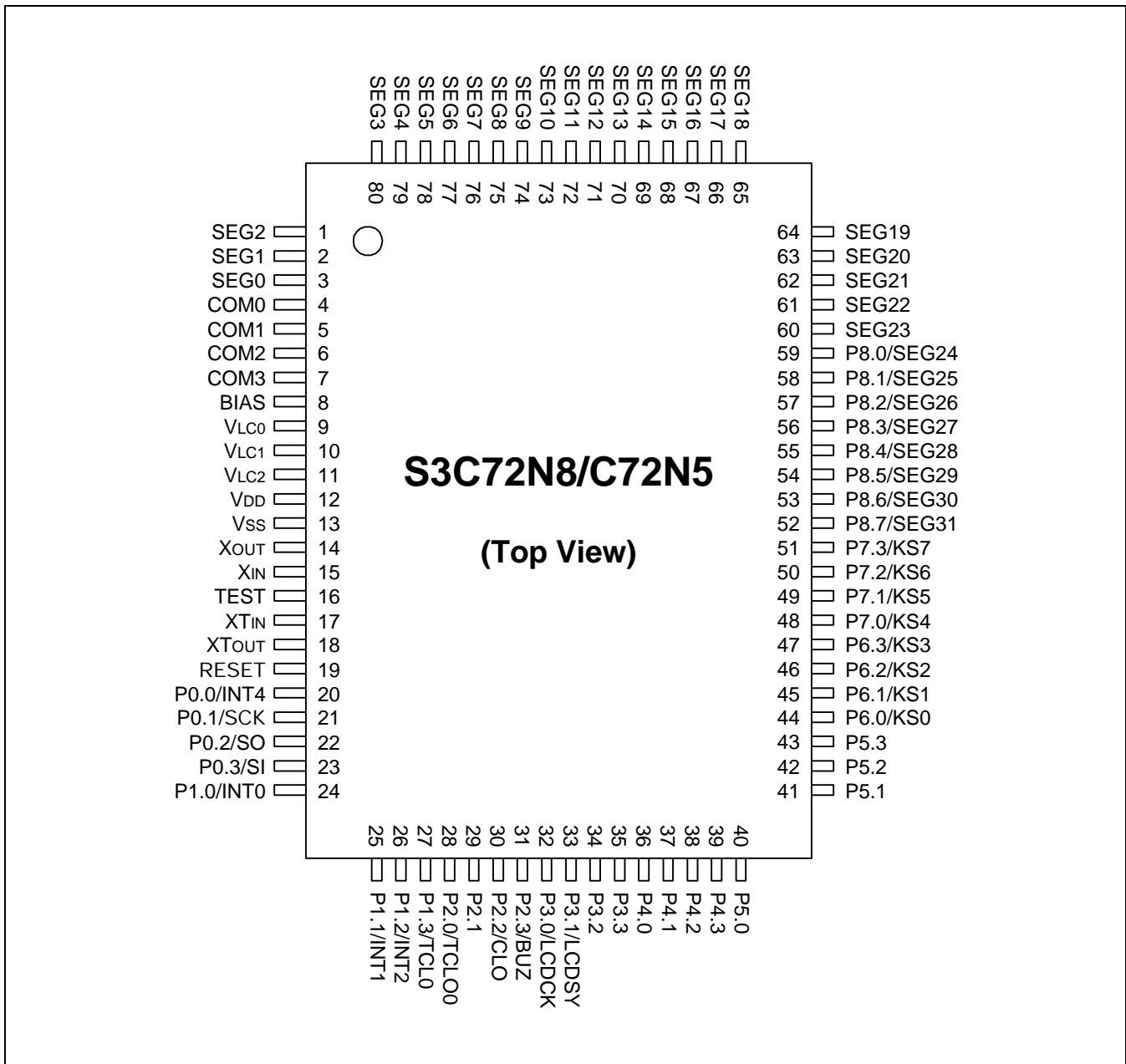


Figure 1-2. S3C72N8/C72N5 80-QFP Pin Assignment Diagram

PIN DESCRIPTIONS

Table 1-1. S3C72N8/C72N5 Pin Descriptions

Pin Name	Pin Type	Description	Number	Share Pin	Reset Value	Circuit Type
P0.0	I	4-bit input port.	20	INT4	Input	A-1
P0.1	I/O	1-bit and 4-bit read and test are possible.	21	SCK		D *
P0.2	I/O	4-bit pull-up resistors are software assignable.	22	SO		D *
P0.3	I		23	SI		A-1
P1.0	I	4-bit input port.	24	INT0	Input	A-1
P1.1		1-bit and 4-bit read and test are possible.	25	INT1		
P1.2		4-bit pull-up resistors are software assignable.	26	INT2		
P1.3			27	TCL0		
P2.0	I/O	4-bit I/O port.	28	TCL00	Input	D
P2.1		1-bit and 4-bit read/write and test are possible.	29	–		
P2.2		4-bit pull-up resistors are software assignable.	30	CLO		
P2.3			31	BUZ		
P3.0	I/O	4-bit I/O port.	32	LCDCK	Input	D
P3.1		1-bit and 4-bit read/write and test are possible.	33	LCDSY		
P3.2		Each individual pin can be specified as input or output. 4-bit pull-up resistors are software assignable.	34			
P3.3			35			
P4.0– P4.3 P5.0– P5.3	I/O	4-bit I/O ports. N-channel open-drain output up to 5 V. 1-, 4-, and 8-bit read/write and test are possible. Ports 4 and 5 can be paired to support 8-bit data transfer. 4-bit pull-up resistors are software assignable.	36–43	–	Input	E
P6.0– P6.3 P7.0– P7.3	I/O	4-bit I/O ports. Port 6 pins are individually software configurable as input or output. 1-bit and 4-bit read/write and test are possible. 4-bit pull-up resistors are software assignable. Ports 6 and 7 can be paired to enable 8-bit data transfer.	44–51	KS0–KS3 KS4–KS7	Input	D *
P8.0– P8.7	O	Output port for 1-bit data (for use as CMOS driver only)	59–52	SEG24– SEG31	Output	H-16
SEG0– SEG23	O	LCD segment signal output	3–1, 80–60	–	Output	H-15
SEG24– SEG31	O	LCD segment signal output	59–52	P8.0–P8.7	Output	H-16
COM0– COM3	O	LCD common signal output	4–7	–	Output	H-15
V _{LC0} –V _{LC2}	–	LCD power supply. Voltage dividing resistors are assignable by mask option	9–11	SCLK SDAT	–	–
BIAS	–	LCD power control	8	–	–	–
LCDCK	I/O	LCD clock output for display expansion	32	P3.0	Input	D

Table 1-1. S3C72N8/C72N5 Pin Descriptions (Continued)

Pin Name	Pin Type	Description	Number	Share Pin	Reset Value	Circuit Type
LCDSY	I/O	LCD synchronization clock output for LCD display expansion	33	P3.1	Input	D
TCL0	I/O	External clock input for timer/counter 0	27	P1.3	Input	A-1
TCLO0	I/O	Timer/counter 0 clock output	28	P2.0	Input	D
SI	I	Serial interface data input	23	P0.3	Input	A-1
SO	I/O	Serial interface data output	22	P0.2	Input	D *
SCK	I/O	Serial I/O interface clock signal	21	P0.1	Input	D *
INT0 INT1	I	External interrupts. The triggering edge for INT0 and INT1 is selectable. Only INT0 is synchronized with the system clock.	24 25	P1.0 P1.1	Input	A-1
INT2	I	Quasi-interrupt with detection of rising edge signals.	26	P1.2	Input	A-1
INT4	I	External interrupt input with detection of rising or falling edge	20	P0.0	Input	A-1
KS0–KS7	I/O	Quasi-interrupt inputs with falling edge detection.	44–51	P6.0–P7.3	Input	D *
CLO	I/O	CPU clock output	30	P2.2	Input	D
BUZ	I/O	2, 4, 8 or 16 kHz frequency output for buzzer sound with 4.19 MHz main system clock or 32.768 kHz subsystem clock.	31	P2.3	Input	D
X _{IN} , X _{OUT}	–	Crystal, ceramic or RC oscillator pins for main system clock. (For external clock input, use X _{IN} and input X _{IN} 's reverse phase to X _{OUT})	15,14	–	–	–
XT _{IN} , XT _{OUT}	–	Crystal oscillator pins for subsystem clock. (For external clock input, use XT _{IN} and input XT _{IN} 's reverse phase to XT _{OUT})	17,18	–	–	–
V _{DD}	–	Main power supply	12	–	–	–
V _{SS}	–	Ground	13	–	–	–
RESET	–	Reset signal	19	–	Input	B
TEST	–	Test signal input (must be connected to V _{SS})	16	–	–	–

NOTES:

1. Pull-up resistors for all I/O ports are automatically disabled if they are configured to output mode.
2. D * Type has a schmitt trigger circuit at input.

PIN CIRCUIT DIAGRAMS

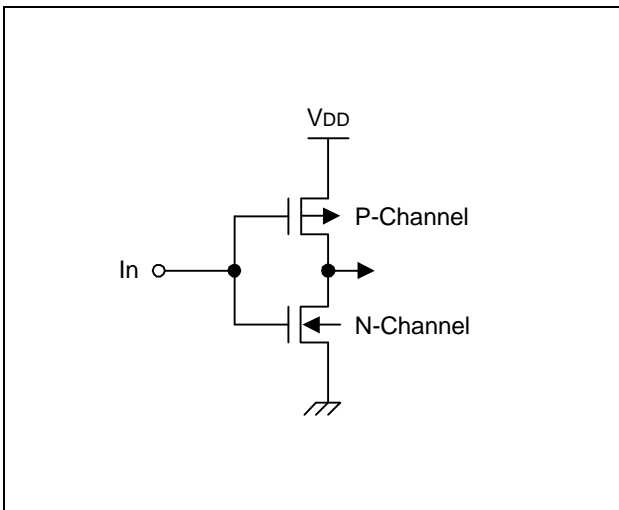


Figure 1-3. Pin Circuit Type A

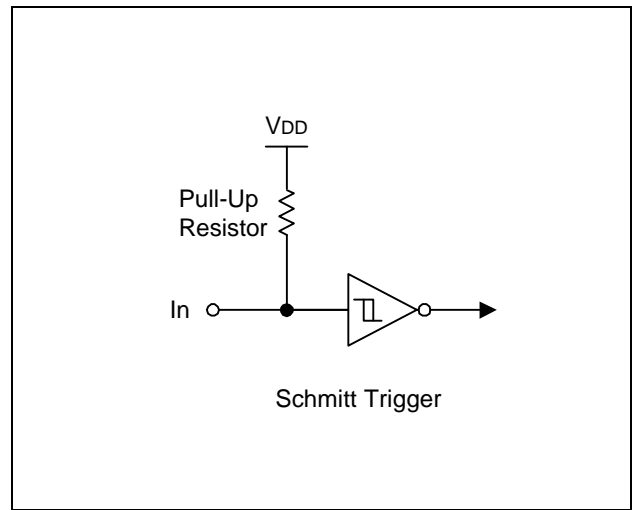


Figure 1-5. Pin Circuit Type B (RESET)

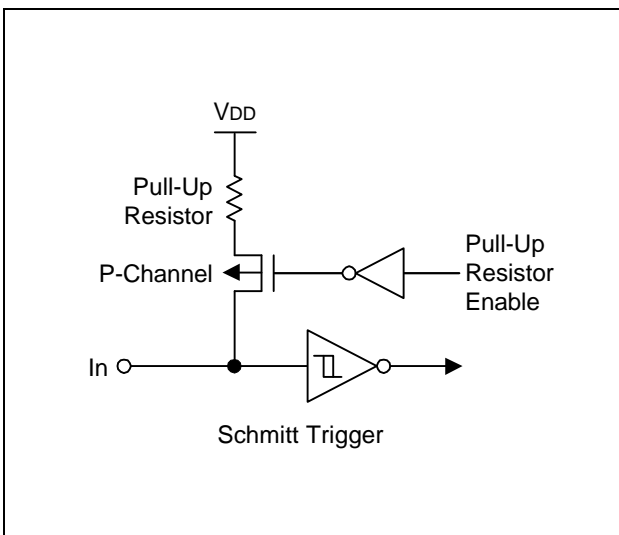


Figure 1-4. Pin Circuit Type A-1 (P1, P0.0, P0.3)

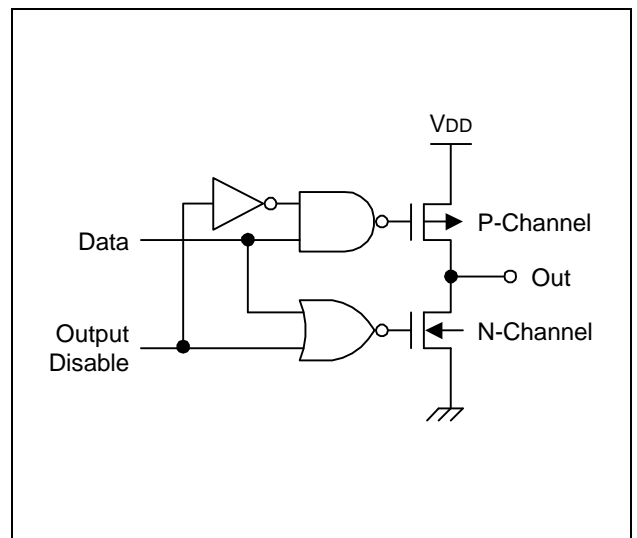


Figure 1-6. Pin Circuit Type C

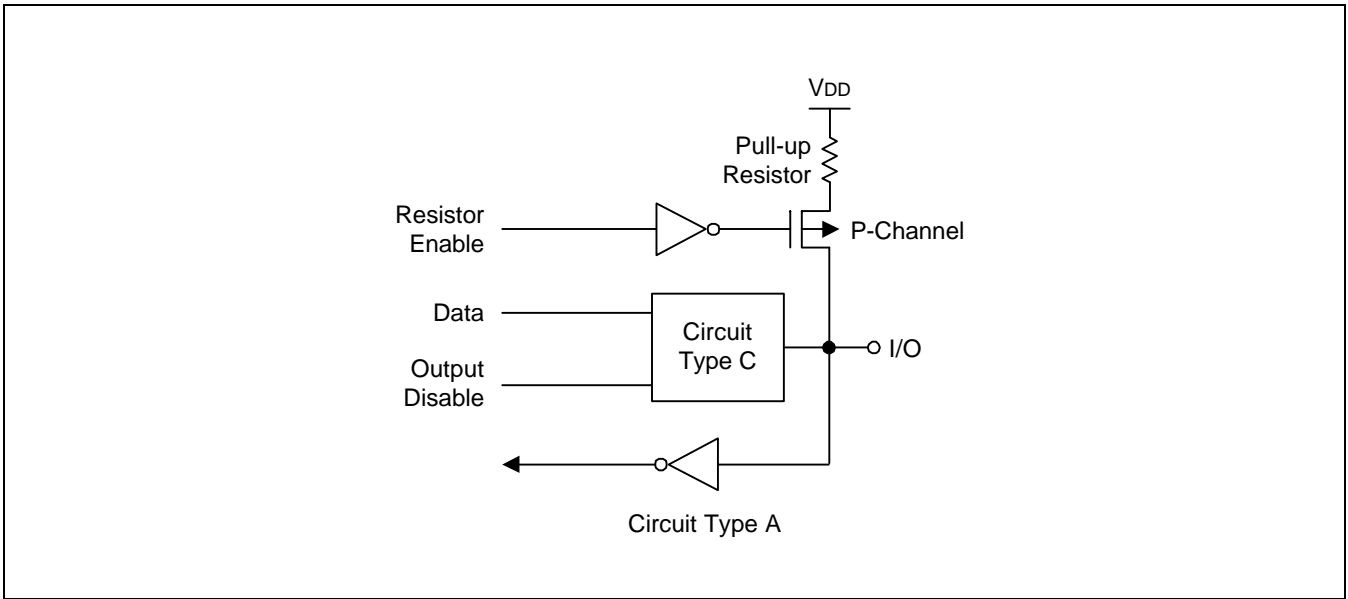


Figure 1-7. Pin Circuit Type D (P0.1, P0.2, P2, P3, P6, P7)

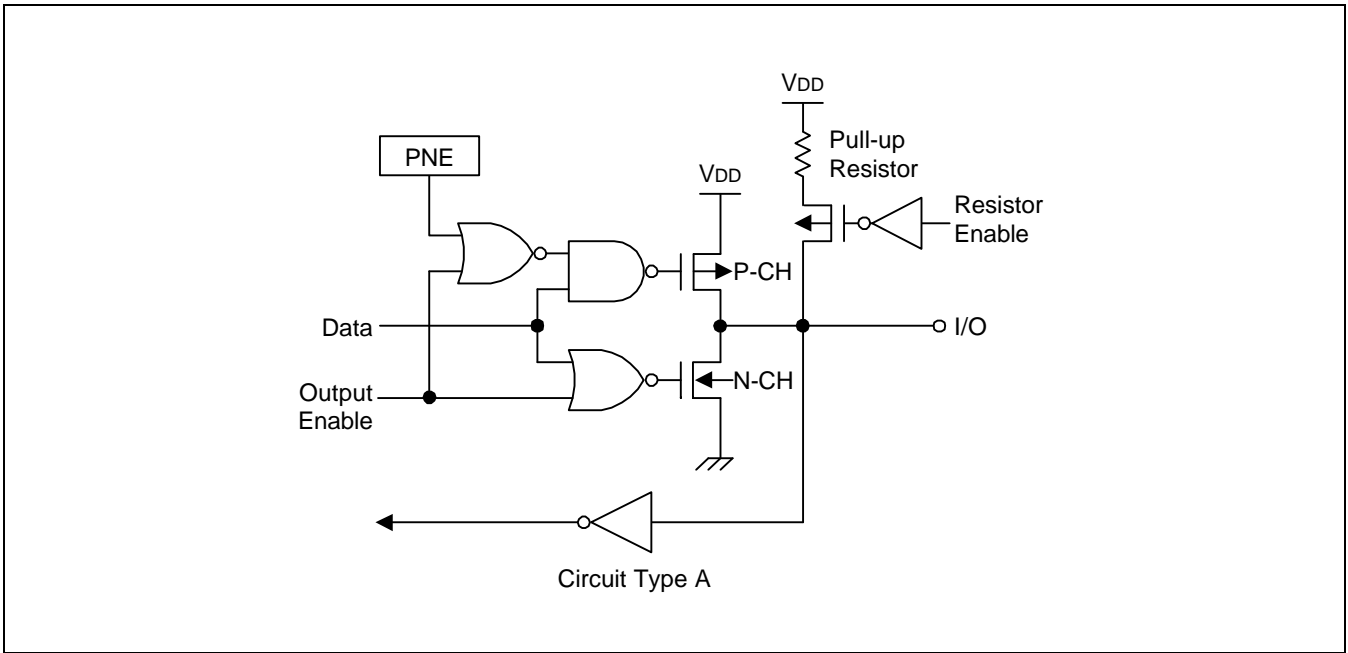


Figure 1-8. Pin Circuit Type E (P4, P5)

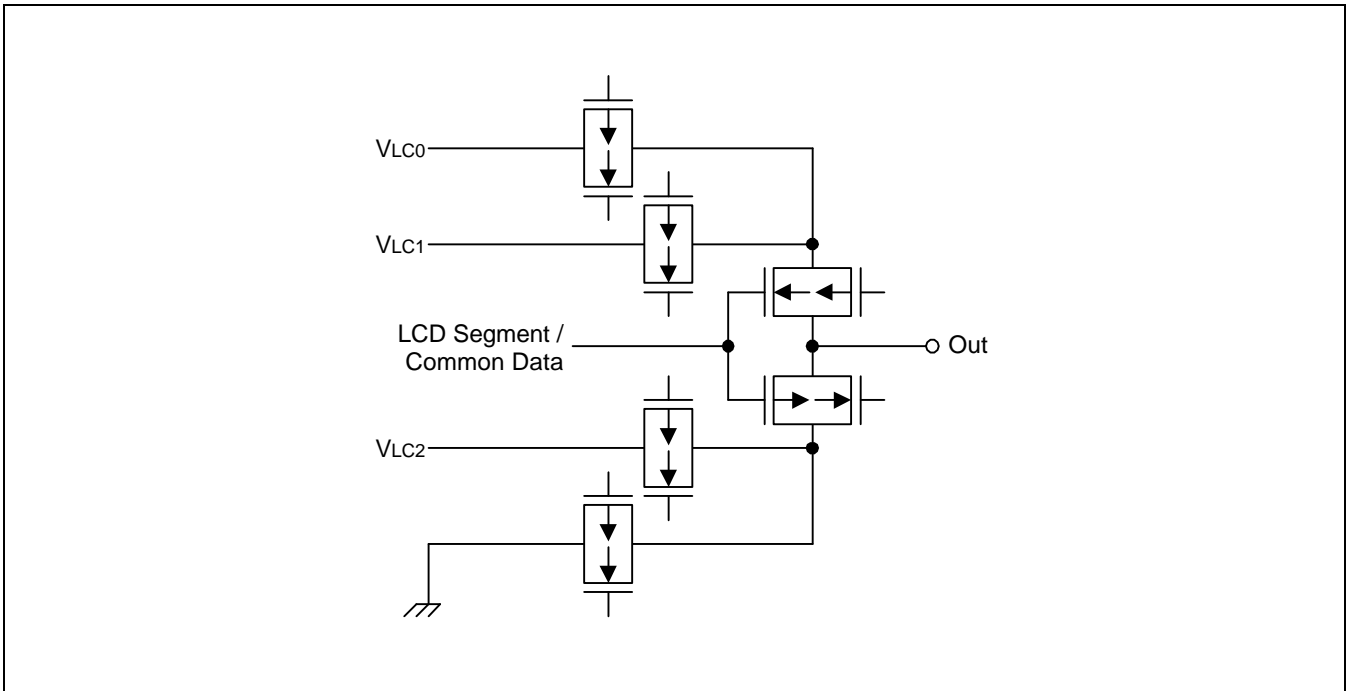


Figure 1-9. Pin Circuit Type H-15 (SEG/COM)

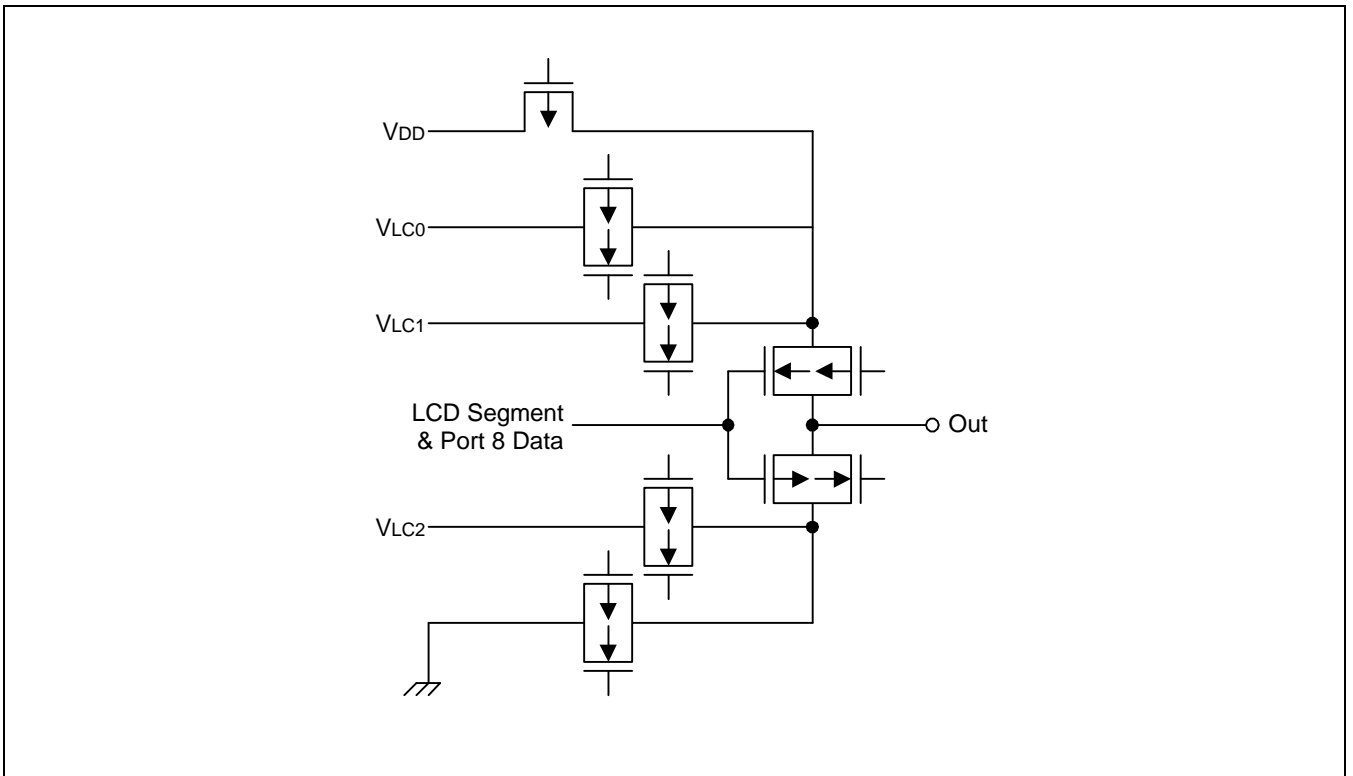


Figure 1-10. Pin Circuit Type H-16 (P8)

2 ADDRESS SPACES

PROGRAM MEMORY (ROM)

OVERVIEW

ROM maps for S3C72N8/C72N5 devices are mask programmable at the factory. S3C72N8 has $8K \times 8$ -bit program memory and S3C72N5 has $16K \times 8$ -bit program memory, aside from the differences in the ROM size the two products are identical in other features. In its standard configuration, the device's $8,192 \times 8$ -bit ($16,384 \times 8$ -bit) program memory has four areas that are directly addressable by the program counter (PC):

- 12-byte area for vector addresses
- 96-byte instruction reference area
- 20-byte general-purpose area
- 8064-byte general-purpose area (S3C72N8)
- 16256-byte general-purpose area (S3C72N5)

General-Purpose Program Memory

Two program memory areas are allocated for general-purpose use: One area is 20 bytes in size and the other is 8,064-bytes (16,256-bytes).

Vector Addresses

A 12-byte vector address area is used to store the vector addresses required to execute system resets and interrupts. Start addresses for interrupt service routines are stored in this area, along with the values of the enable memory bank (EMB) and enable register bank (ERB) flags that are used to set their initial value for the corresponding service routines. The 16-byte area can be used alternately as general-purpose ROM.

REF Instructions

Locations 0020H–007FH are used as a reference area (look-up table) for 1-byte REF instructions. The REF instruction reduces the byte size of instruction operands. REF can reference one 2-byte instruction, two 1-byte instructions, and one 3-byte instruction which are stored in the look-up table. Unused look-up table addresses can be used as general-purpose ROM.

Table 2-1. Program Memory Address Ranges

ROM Area Function	Address Ranges	Area Size (in Bytes)
Vector address area	0000H–000BH	12
General-purpose program memory	000CH–001FH	20
REF instruction look-up table area	0020H–007FH	96
General-purpose program memory	0080H–1FFFFH (S3C72N8) 0080H–3FFFFH (S3C72N5)	8064 (S3C72N8) 16256 (S3C72N5)

GENERAL-PURPOSE MEMORY AREAS

The 20-byte area at ROM locations 000CH–001FH and the 8,064-byte (16,256-byte) area at ROM locations 0080H–1FFFH (0080H–3FFFH) are used as general-purpose program memory. Unused locations in the vector address area and REF instruction look-up table areas can be used as general-purpose program memory. However, care must be taken not to overwrite live data when writing programs that use special-purpose areas of the ROM.

VECTOR ADDRESS AREA

The 12-byte vector address area of the ROM is used to store the vector addresses for executing system resets and interrupts. The starting addresses of interrupt service routines are stored in this area, along with the enable memory bank (EMB) and enable register bank (ERB) flag values that are needed to initialize the service routines. 12-byte vector addresses are organized as follows:

EMB	ERB	PC13 (note)	PC12	PC11	PC10	PC9	PC8
PC7	PC6	PC5	PC4	PC3	PC2	PC1	PC0

NOTE: PC13 is used for S3C72N5/P72N5 microcontroller.

To set up the vector address area for specific programs, use the instruction VENTn. The programming tips on the next page explain how to do this.

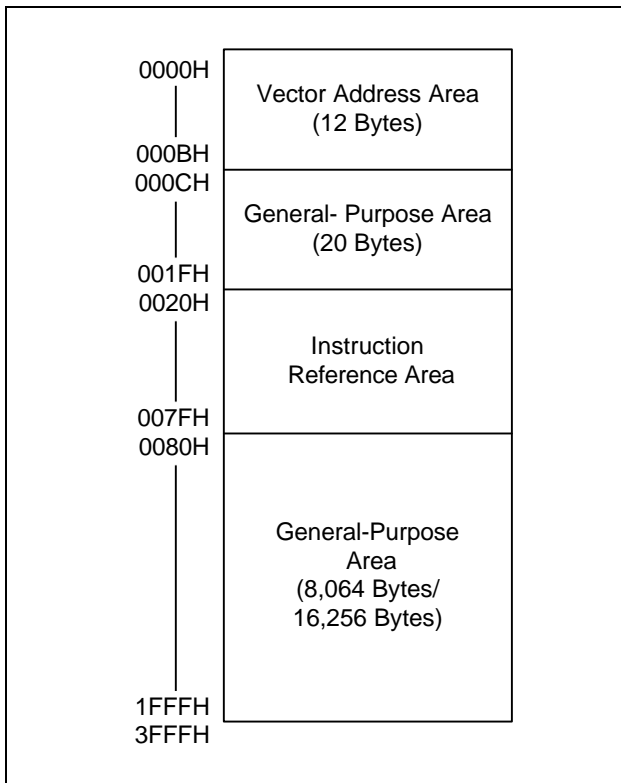


Figure 2-1. ROM Address Structure

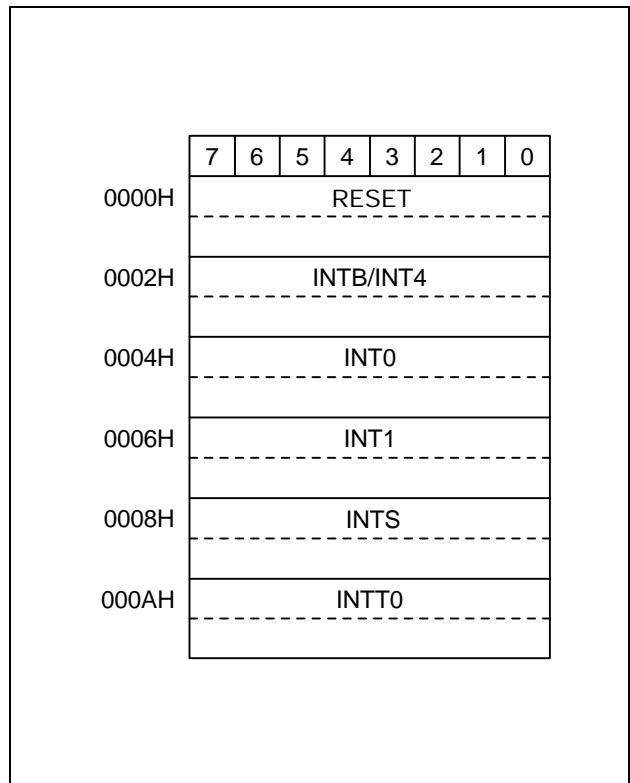


Figure 2-2. Vector Address Structure

PROGRAMMING TIP — Defining Vectored Interrupts

The following examples show you several ways you can define the vectored interrupt and instruction reference areas in program memory:

1. When all vector interrupts are used:

```

ORG      0000H

VENT0    1,0,RESET      ; EMB ← 1, ERB ← 0; Jump to RESET address by RESET
VENT1    0,0,INTB       ; EMB ← 0, ERB ← 0; Jump to INTB address by INTB
VENT2    0,0,INT0       ; EMB ← 0, ERB ← 0; Jump to INT0 address by INT0
VENT3    0,0,INT1       ; EMB ← 0, ERB ← 0; Jump to INT1 address by INT1
VENT4    0,0,INTS       ; EMB ← 0, ERB ← 0; Jump to INTS address by INTS
VENT5    0,0,INTT0      ; EMB ← 0, ERB ← 0; Jump to INTT0 address by INTT0

```

2. When a specific vectored interrupt such as INT0, and INTT0 is not used, the unused vector interrupt locations must be skipped with the assembly instruction ORG so that jumps will address the correct locations:

```

ORG      0000H

VENT0    1,0,RESET      ; EMB ← 1, ERB ← 0; Jump to RESET address by RESET
VENT1    0,0,INTB       ; EMB ← 0, ERB ← 0; Jump to INTB address by INTB
ORG      0006H          ; INT0 interrupt not used
VENT3    0,0,INT1       ; EMB ← 0, ERB ← 0; Jump to INT1 address by INT1
VENT4    0,0,INTS       ; EMB ← 0, ERB ← 0; Jump to INTS address by INTS

ORG      000CH          ; INTT0 interrupt not used

ORG      0010H

```

3. If an INT0 interrupt is not used and if its corresponding vector interrupt area is not fully utilized, or if it is not written by a ORG instruction in Example 2, a CPU malfunction will occur:

```

ORG      0000H

VENT0    1,0,RESET      ; EMB ← 1, ERB ← 0; Jump to RESET address by RESET
VENT1    0,0,INTB       ; EMB ← 0, ERB ← 0; Jump to INTB address by INTB
VENT3    0,0,INT1       ; EMB ← 0, ERB ← 0; Jump to INT1 address by INT0
VENT4    0,0,INTS       ; EMB ← 0, ERB ← 0; Jump to INTS address by INT1
VENT5    0,0,INTT0      ; EMB ← 0, ERB ← 0; Jump to INTT0 address by INTS

ORG      0010H

General-purpose ROM area

```

In this example, when an INTS interrupt is generated, the corresponding vector area is not VENT4 INTS, but VENT5 INTT0. This causes an INTS interrupt to jump incorrectly to the INTT0 address and causes a CPU malfunction to occur.

INSTRUCTION REFERENCE AREA

Using 1-byte REF instructions, you can easily reference instructions with larger byte sizes that are stored in addresses 0020H–007FH of program memory. This 96-byte area is called the REF instruction reference area, or look-up table. Locations in the REF look-up table may contain two 1-byte instructions, one 2-byte instruction, or one 3-byte instruction such as a JP (jump) or CALL. The starting address of the instruction you are referencing must always be an even number. To reference a JP or CALL instruction, it must be written to the reference area in a two-byte format: for JP, this format is TJP; for CALL, it is TCALL.

By using REF instructions you can execute instructions larger than one byte. In summary, there are three ways you can use the REF instruction:

- Using the 1-byte REF instruction to execute one 2-byte or two 1-byte instructions,
- Branching to any location by referencing a branch instruction stored in the look-up table,
- Calling subroutines at any location by referencing a call instruction stored in the look-up table.

PROGRAMMING TIP — Using the REF Look-Up Table

Here is one example of how to use the REF instruction look-up table:

```

JMAIN   ORG      0020H
        TJP      MAIN           ; 0, MAIN
KEYCK   BTSF     KEYFG         ; 1, KEYFG CHECK
WATCH  TCALL    CLOCK         ; 2, CALL CLOCK
INCHL   LD       @HL,A         ; 3, (HL) ← A
        INCS     HL
        .
        .
        .
ABC     LD       EA,#00H       ; 47, EA ← #00H
        ORG      0080H

MAIN    NOP
        NOP
        .
        .
        .
        REF     KEYCK         ; BTSF KEYFG (1-byte instruction)
        REF     JMAIN         ; KEYFG = 1, jump to MAIN (1-byte instruction)
        REF     WATCH        ; KEYFG = 0, CALL CLOCK (1-byte instruction)
        REF     INCHL         ; LD @HL,A
        .
        .
        .
        REF     ABC           ; LD EA,#00H (1-byte instruction)
        .
        .
        .

```

DATA MEMORY (RAM)

OVERVIEW

In its standard configuration, the 512 x 4-bit data memory has four areas:

- 32 x 4-bit working register area in bank 0
- 224 x 4-bit general-purpose area in bank 0 which is also used as the stack area
- 224 x 4-bit general-purpose area in bank 1
- 32 x 4-bit area for LCD data in bank 1
- 128 x 4-bit area in bank 15 for memory-mapped I/O addresses

To make it easier to reference, the data memory area has three memory banks — bank 0, bank 1 and bank 15. The select memory bank instruction (SMB) is used to select the bank you want to select as working data memory. Data stored in RAM locations are 1-, 4-, and 8-bit addressable. One exception is the LCD data register area, which is 1-bit and 4-bit addressable only.

Initialization values for the data memory area are not defined by hardware and must therefore be initialized by program software following power RESET. However, when RESET signal is generated in power-down mode, the most of data memory contents are held.

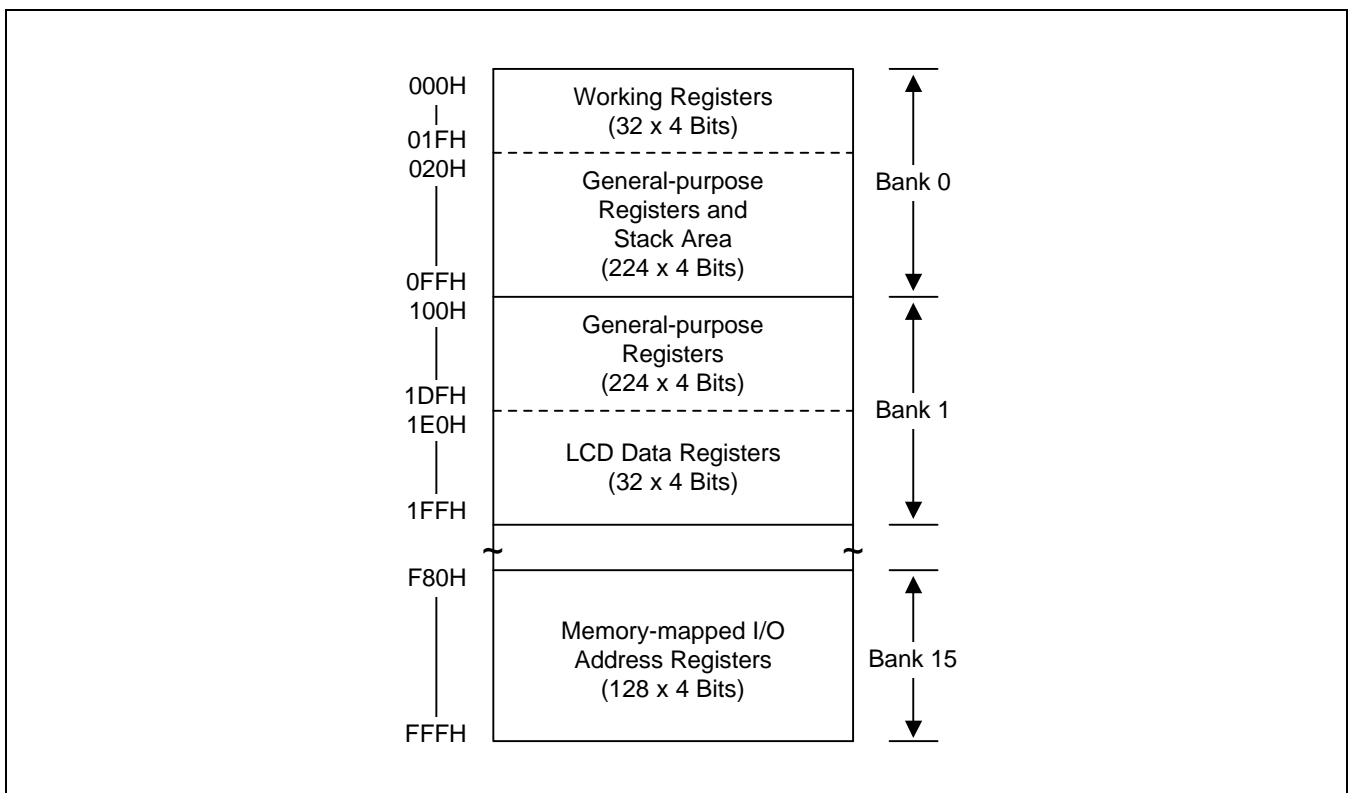


Figure 2-3. Data Memory (RAM) Map

Memory Banks 0, 1, and 15

Bank 0	(000H–0FFH)	The lowest 32 nibbles of bank 0 (000H–01FH) are used as working registers; the next 224 nibbles (020H–0FFH) can be used both as stack area and as general-purpose data memory. Use the stack area for implementing subroutine calls and returns, and for interrupt processing.
Bank 1	(100H–1FFH)	The lowest 224 nibbles of bank1 (100H–1DFH) are for general-purpose use; Use the remaining of 32 nibbles (1E0H–1FFH) as display registers or as general purpose memory.
Bank 15	(F80H–FFFH)	The microcontroller uses bank 15 for memory-mapped peripheral I/O. Fixed RAM locations for each peripheral hardware address are mapped into this area.

Data Memory Addressing Modes

The enable memory bank (EMB) flag controls the addressing mode for data memory banks 0, 1 or 15. When the EMB flag is logic zero, the addressable area is restricted to specific locations, depending on whether direct or indirect addressing is used. With direct addressing, you can access locations 000H–07FH of bank 0 and bank 15. With indirect addressing, only bank 0 (000H–0FFH) can be accessed. When the EMB flag is set to logic one, all three data memory banks can be accessed according to the current SMB value.

For 8-bit addressing, two 4-bit registers are addressed as a register pair. Also, when using 8-bit instructions to address RAM locations, remember to use the even-numbered register address as the instruction operand.

Working Registers

The RAM working register area in data memory bank 0 is further divided into four *register* banks (bank 0, 1, 2, and 3). Each register bank has eight 4-bit registers and paired 4-bit registers are 8-bit addressable.

Register A is used as a 4-bit accumulator and register pair EA as an 8-bit extended accumulator. The carry flag bit can also be used as a 1-bit accumulator. Register pairs WX, WL, and HL are used as address pointers for indirect addressing. To limit the possibility of data corruption due to incorrect register addressing, it is advisable to use register bank 0 for the main program and banks 1, 2, and 3 for interrupt service routines.

LCD Data Register Area

Bit values for LCD segment data are stored in data memory bank 1. Register locations in this area that are not used to store LCD data can be assigned to general-purpose use.

Table 2-2. Data Memory Organization and Addressing

Addresses	Register Areas	Bank	EMB Value	SMB Value
000H–01FH	Working registers	0	0, 1	0
020H–0FFH	Stack and general-purpose registers			
100H–1DFH	General-purpose registers	1	1	1
1E0H–1FFH	LCD Data registers			
F80H–FFFH	I/O-mapped hardware registers	15	0, 1	15

 **PROGRAMMING TIP — Clearing Data Memory Banks 0 and 1**

Clear banks 0 and 1 of the data memory area:

```

RAMCLR  SMB      1                ; RAM (100H–1FFH) clear
         LD      HL,#00H
         LD      A,#0H
RMCL1   LD      @HL,A
         INCS   HL
         JR      RMCL1

         SMB      0                ; RAM (010H–0FFH) clear
RMCL0   LD      HL,#10H
         LD      @HL,A
         INCS   HL
         JR      RMCL0

```


WORKING REGISTERS

Working registers, mapped to RAM address 000H-01FH in data memory bank 0, are used to temporarily store intermediate results during program execution, as well as pointer values used for indirect addressing. Unused registers may be used as general-purpose memory. Working register data can be manipulated as 1-bit units, 4-bit units or, using paired registers, as 8-bit units.

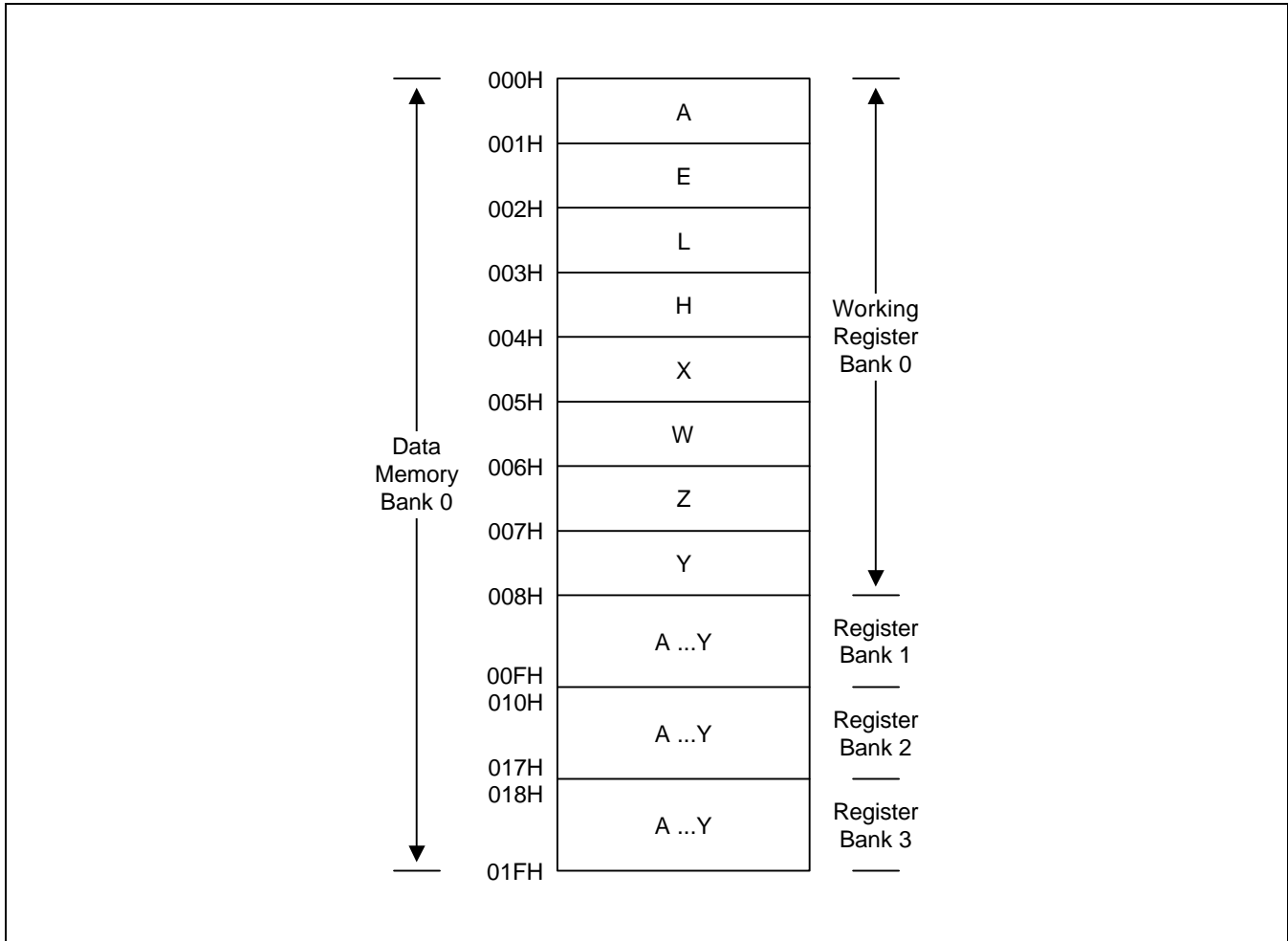


Figure 2-4. Working Register Map

Working Register Banks

For addressing purposes, the working register area is divided into four register banks — bank 0, bank 1, bank 2, and bank 3. Any one of these banks can be selected as the working register bank by the register bank selection instruction (SRB n) and by setting the status of the register bank enable flag (ERB).

Generally, working register bank 0 is used for the main program, and banks 1, 2, and 3 for interrupt service routines. Following this convention helps to prevent possible data corruption during program execution due to contention in register bank addressing.

Table 2-3. Working Register Organization and Addressing

ERB Setting	SRB Settings				Selected Register Bank
	3	2	1	0	
0	0	0	–	–	Always set to bank 0
1	0	0	0	0	Bank 0
			0	1	Bank 1
			1	0	Bank 2
			1	1	Bank 3

Paired Working Registers

Each of the register banks is subdivided into eight 4-bit registers. These registers, named Y, Z, W, X, H, L, E and A, can either be manipulated individually using 4-bit instructions, or together as register pairs for 8-bit data manipulation.

The names of the 8-bit register pairs in each register bank are EA, HL, WX, YZ and WL. Registers A, L, X and Z always become the lower nibble when registers are addressed as 8-bit pairs. This makes a total of eight 4-bit registers or four 8-bit double registers in each of the four working register banks.

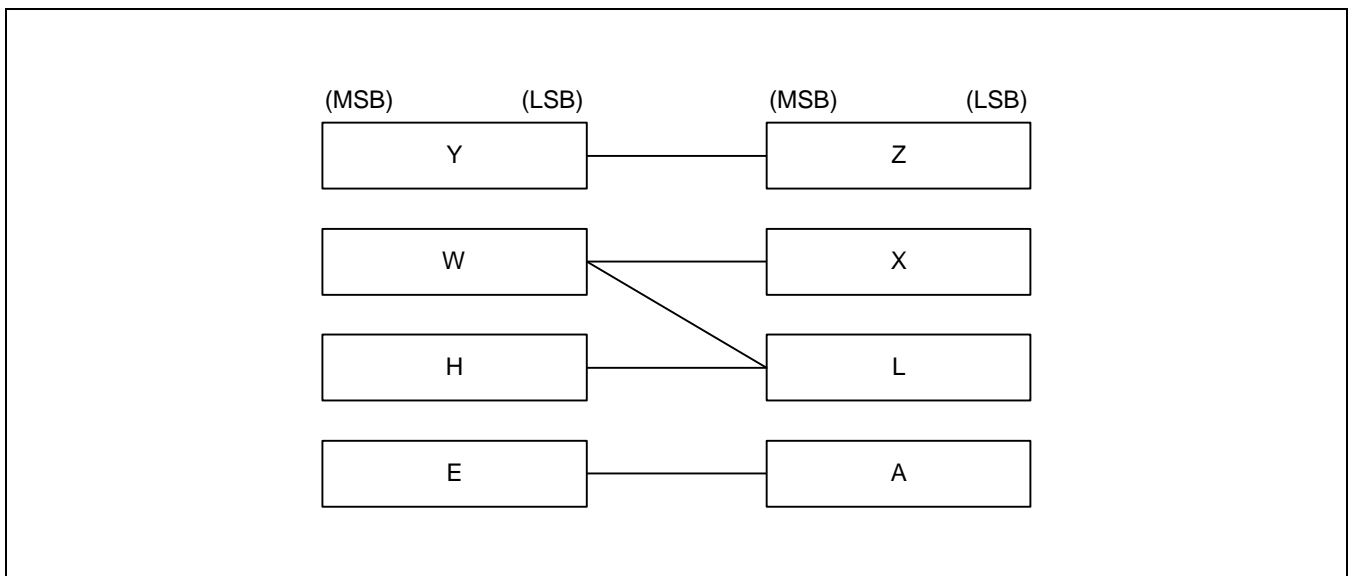


Figure 2-5. Register Pair Configuration

Special-Purpose Working Registers

Register A is used as a 4-bit accumulator and double register EA as an 8-bit accumulator. The carry flag can also be used as a 1-bit accumulator.

8-bit double registers WX, WL and HL are used as data pointers for indirect addressing. When the HL register serves as a data pointer, the instructions LDI, LDD, XCHI, and XCHD can make very efficient use of working registers as program loop counters by letting you transfer a value to the L register and increment or decrement it using a single instruction.

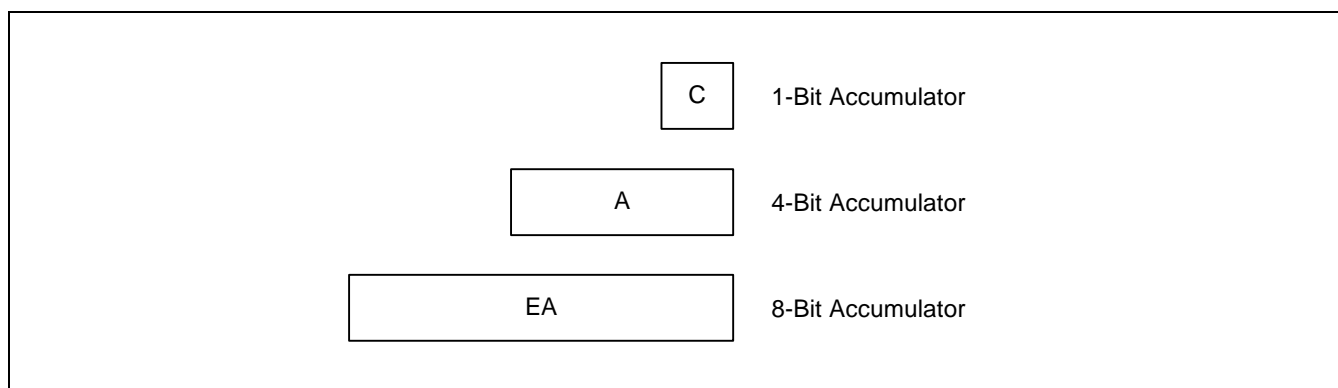


Figure 2-6. 1-Bit, 4-Bit, and 8-Bit Accumulator

Recommendation for Multiple Interrupt Processing

If more than four interrupts are being processed at one time, you can avoid possible loss of working register data by using the PUSH RR instruction to save register contents to the stack before the service routines are executed in the same register bank. When the routines have executed successfully, you can restore the register contents from the stack to working memory using the POP instruction.

PROGRAMMING TIP — Selecting the Working Register Area

The following examples show the correct programming method for selecting working register area:

1. When ERB = "0":

```

VENT2  1,0,INT0                ; EMB ← 1, ERB ← 0, Jump to INT0 address

INT0   PUSH    SB                ; PUSH current SMB, SRB
        SRB    2                ; Instruction does not execute because ERB = "0"
        PUSH   HL                ; PUSH HL register contents to stack
        PUSH   WX                ; PUSH WX register contents to stack
        PUSH   YZ                ; PUSH YZ register contents to stack
        PUSH   EA                ; PUSH EA register contents to stack
        SMB    0
        LD     EA,#00H
        LD     80H,EA
        LD     HL,#40H
        INCS   HL
        LD     WX,EA
        LD     YZ,EA
        POP    EA                ; POP EA register contents from stack
        POP    YZ                ; POP YZ register contents from stack
        POP    WX                ; POP WX register contents from stack
        POP    HL                ; POP HL register contents from stack
        POP    SB                ; POP current SMB, SRB
        IRET

```

The POP instructions execute alternately with the PUSH instructions. If an SMB n instruction is used in an interrupt service routine, a PUSH and POP SB instruction must be used to store and restore the current SMB and SRB values, as shown in Example 2 below.

2. When ERB = "1":

```

VENT2  1,1,INT0                ; EMB ← 1, ERB ← 1, Jump to INT0 address

INT0   PUSH    SB                ; Store current SMB, SRB
        SRB    2                ; Select register bank 2 because of ERB = "1"
        SMB    0
        LD     EA,#00H
        LD     80H,EA
        LD     HL,#40H
        INCS   HL
        LD     WX,EA
        LD     YZ,EA
        POP    SB                ; Restore SMB, SRB
        IRET

```

STACK OPERATIONS

STACK POINTER (SP)

The stack pointer (SP) is an 8-bit register that stores the address used to access the stack, an area of data memory set aside for temporary storage of data and addresses. The SP can be read or written by 8-bit control instructions. When addressing the SP, bit 0 must always remain cleared to logic zero.

F80H	SP3	SP2	SP1	"0"
F81H	SP7	SP6	SP5	SP4

There are two basic stack operations: writing to the top of the stack (push), and reading from the top of the stack (pop). A push decrements the SP and a pop increments it so that the SP always points to the top address of the last data to be written to the stack.

The program counter contents and program status word are stored in the stack area prior to the execution of a CALL or a PUSH instruction, or during interrupt service routines. Stack operation is a LIFO (Last In-First Out) type. The stack area is located in general-purpose data memory bank 0.

During an interrupt or a subroutine, the PC value and the PSW are saved to the stack area. When the routine has completed, the stack pointer is referenced to restore the PC and PSW, and the next instruction is executed.

The SP can address stack registers in bank 0 (addresses 000H-0FFH) regardless of the current value of the enable memory bank (EMB) flag and the select memory bank (SMB) flag. Although general-purpose register areas can be used for stack operations, be careful to avoid data loss due to simultaneous use of the same register(s).

Since the RESET value of the stack pointer is not defined in firmware, we recommend that you initialize the stack pointer by program code to location 00H. This sets the first register of the stack area to 0FFH.

NOTE

A subroutine call occupies six nibbles in the stack; an interrupt requires six. When subroutine nesting or interrupt routines are used continuously, the stack area should be set in accordance with the maximum number of subroutine levels. To do this, estimate the number of nibbles that will be used for the subroutines or interrupts and set the stack area correspondingly.

PROGRAMMING TIP — Initializing the Stack Pointer

To initialize the stack pointer (SP):

1. When EMB = "1":

```
SMB    15                ; Select memory bank 15
LD     EA,#00H           ; Bit 0 of SP is always cleared to "0"
LD     SP,EA             ; Stack area initial address (0FFH) ← (SP) – 1
```

2. When EMB = "0":

```
LD     EA,#00H
LD     SP,EA             ; Memory addressing area (00H–7FH, F80H–FFFH)
```

PUSH OPERATIONS

Three kinds of push operations reference the stack pointer (SP) to write data from the source register to the stack: PUSH instructions, CALL instructions, and interrupts. In each case, the SP is *decreased* by a number determined by the type of push operation and then points to the next available stack location.

PUSH Instructions

A PUSH instruction references the SP to write two 4-bit data nibbles to the stack. Two 4-bit stack addresses are referenced by the stack pointer: one for the upper register value and another for the lower register. After the PUSH has executed, the SP is decreased *by two* and points to the next available stack location.

CALL Instructions

When a subroutine call is issued, the CALL instruction references the SP to write the PC's contents to six 4-bit stack locations. Current values for the enable memory bank (EMB) flag and the enable register bank (ERB) flag are also pushed to the stack. Since six 4-bit stack locations are used per CALL, you may nest subroutine calls up to the number of levels permitted in the stack.

Interrupt Routines

An interrupt routine references the SP to push the contents of the PC and the program status word (PSW) to the stack. Six 4-bit stack locations are used to store this data. After the interrupt has executed, the SP is decreased *by six* and points to the next available stack location. During an interrupt sequence, subroutines may be nested up to the number of levels which are permitted in the stack area.

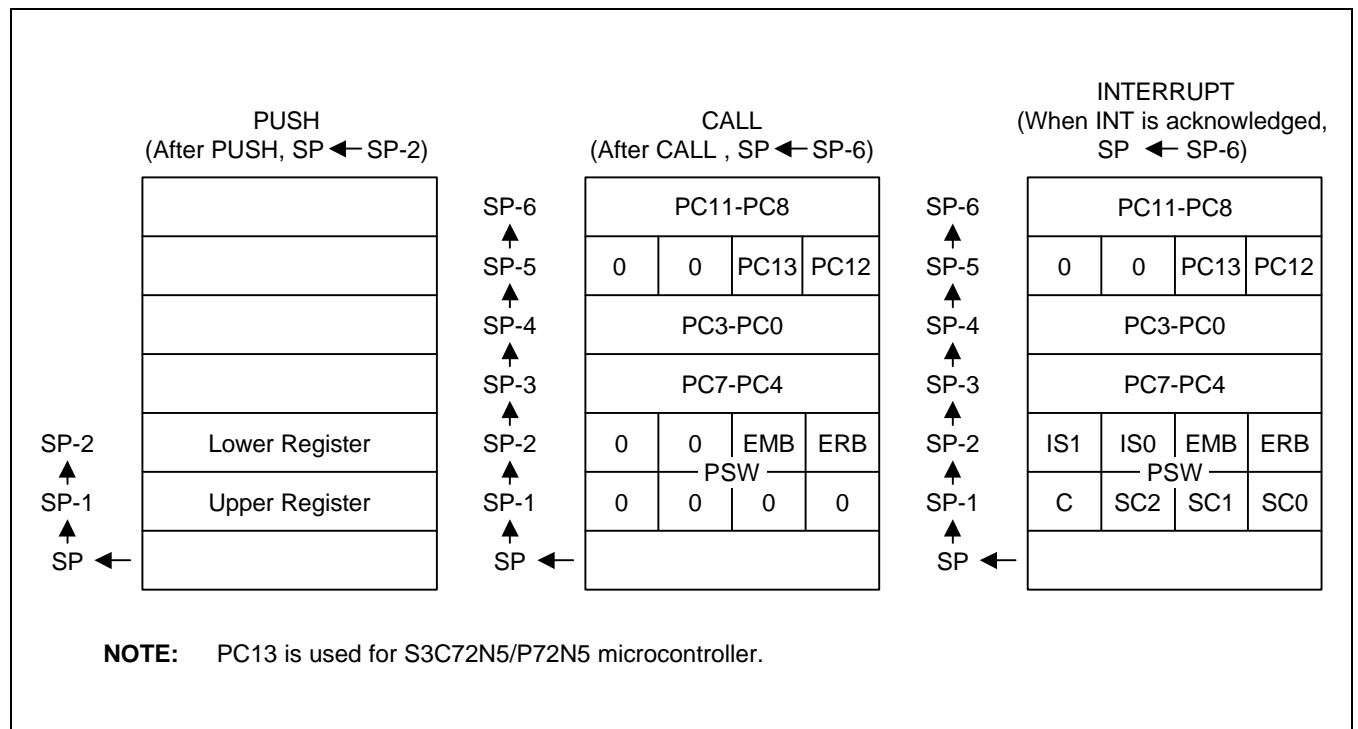


Figure 2-7. Push-Type Stack Operations

POP OPERATIONS

For each push operation there is a corresponding pop operation to write data from the stack back to the source register or registers: for the PUSH instruction it is the POP instruction; for CALL, the instruction RET or SRET; for interrupts, the instruction IRET. When a pop operation occurs, the SP is *incremented* by a number determined by the type of operation and points to the next free stack location.

POP Instructions

A POP instruction references the SP to write data stored in two 4-bit stack locations back to the register pairs and SB register. The value of the lower 4-bit register is popped first, followed by the value of the upper 4-bit register. After the POP has executed, the SP is incremented *by two* and points to the next free stack location.

RET and SRET Instructions

The end of a subroutine call is signaled by the return instruction, RET or SRET. The RET or SRET uses the SP to reference the six 4-bit stack locations used for the CALL and to write this data back to the PC, the EMB, and the ERB. After the RET or SRET has executed, the SP is incremented *by six* and points to the next free stack location.

IRET Instructions

The end of an interrupt sequence is signaled by the instruction IRET. IRET references the SP to locate the six 4-bit stack addresses used for the interrupt and to write this data back to the PC and the PSW. After the IRET has executed, the SP is incremented *by six* and points to the next free stack location.

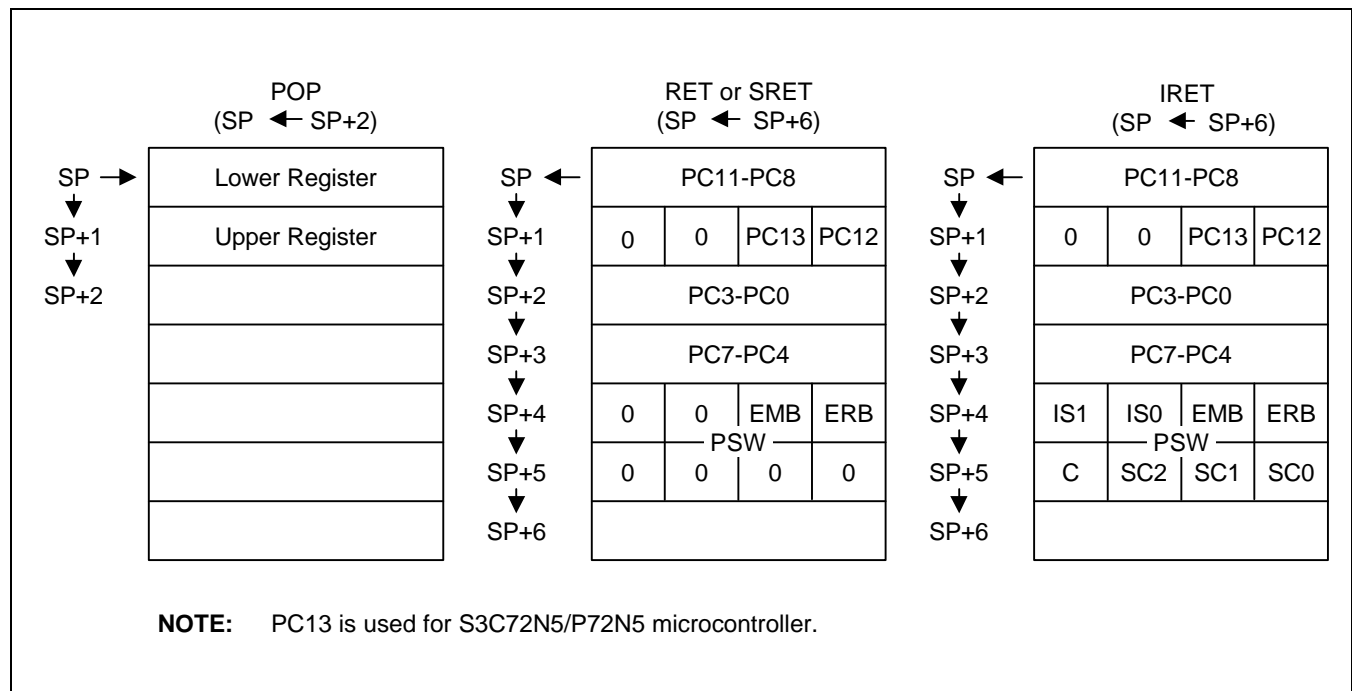


Figure 2-8. Pop-Type Stack Operations

BIT SEQUENTIAL CARRIER (BSC)

The bit sequential carrier (BSC) is a 16-bit general register that can be manipulated using 1-, 4-, and 8-bit RAM control instructions. RESET clears all BSC bit values to logic zero.

Using the BSC, you can specify sequential addresses and bit locations using 1-bit indirect addressing (memb.@L). (Bit addressing is independent of the current EMB value.) In this way, programs can process 16-bit data by moving the bit location sequentially and then incrementing or decreasing the value of the L register.

BSC data can also be manipulated using direct addressing. For 8-bit manipulations, the 4-bit register names BSC0 and BSC2 must be specified and the upper and lower 8 bits manipulated separately.

If the values of the L register are 0H at BSC0.@L, the address and bit location assignment is FC0H.0. If the L register content is FH at BSC0.@L, the address and bit location assignment is FC3H.3.

Table 2-4. BSC Register Organization

Name	Address	Bit 3	Bit 2	Bit 1	Bit 0
BSC0	FC0H	BSC0.3	BSC0.2	BSC0.1	BSC0.0
BSC1	FC1H	BSC1.3	BSC1.2	BSC1.1	BSC1.0
BSC2	FC2H	BSC2.3	BSC2.2	BSC2.1	BSC2.0
BSC3	FC3H	BSC3.3	BSC3.2	BSC3.1	BSC3.0

PROGRAMMING TIP — Using the BSC Register to Output 16-Bit Data

To use the bit sequential carrier (BSC) register to output 16-bit data (5937H) to the P3.0 pin:

```

BITS      EMB
SMB      15
LD      EA,#37H      ;
LD      BSC0,EA      ; BSC0 ← A, BSC1 ← E
LD      EA,#59H      ;
LD      BSC2,EA      ; BSC2 ← A, BSC3 ← E
SMB      0
LD      L,#0H      ;
AGN     LDB      C,BSC0.@L ;
LDB      P3.0,C      ; P3.0 ← C
INCS    L
JR      AGN
RET

```


PROGRAM COUNTER (PC)

A 13-bit program counter (PC) stores addresses for instruction fetches during program execution (S3C72N5 microcontroller has 14-bit program counter, PC0–PC13). Whenever a reset operation or an interrupt occurs, bits PC12 through PC0 (PC13 through PC0 for S3C72N5) are set to the vector address.

Usually, the PC is incremented by the number of bytes of the instruction being fetched. One exception is the 1-byte REF instruction which is used to reference instructions stored in the ROM.

PROGRAM STATUS WORD (PSW)

The program status word (PSW) is an 8-bit word that defines system status and program execution status and which permits an interrupted process to resume operation after an interrupt request has been serviced. PSW values are mapped as follows:

	(MSB)		(LSB)	
FB0H	IS1	IS0	EMB	ERB
FB1H	C	SC2	SC1	SC0

The PSW can be manipulated by 1-bit or 4-bit read/write and by 8-bit read instructions, depending on the specific bit or bits being addressed. The PSW can be addressed during program execution regardless of the current value of the enable memory bank (EMB) flag.

Part or all of the PSW is saved to stack prior to execution of a subroutine call or hardware interrupt. After the interrupt has been processed, the PSW values are popped from the stack back to the PSW address.

When a RESET is generated, the EMB and ERB values are set according to the RESET vector address, and the carry flag is left undefined (or the current value is retained). PSW bits IS0, IS1, SC0, SC1, and SC2 are all cleared to logical zero.

Table 2-5. Program Status Word Bit Descriptions

PSW Bit Identifier	Description	Bit Addressing	Read/Write
IS1, IS0	Interrupt status flags	1, 4	R/W
EMB	Enable memory bank flag	1	R/W
ERB	Enable register bank flag	1	R/W
C	Carry flag	1	R/W
SC2, SC1, SC0	Program skip flags	8	R

INTERRUPT STATUS FLAGS (IS0, IS1)

PSW bits IS0 and IS1 contain the current interrupt execution status values. You can manipulate IS0 and IS1 flags directly using 1-bit RAM control instructions

By manipulating interrupt status flags in conjunction with the interrupt priority register (IPR), you can process multiple interrupts by anticipating the next interrupt in an execution sequence. The interrupt priority control circuit determines the IS0 and IS1 settings in order to control multiple interrupt processing. When both interrupt status flags are set to "0", all interrupts are allowed. The priority with which interrupts are processed is then determined by the IPR.

When an interrupt occurs, IS0 and IS1 are pushed to the stack as part of the PSW and are automatically incremented to the next higher priority level. Then, when the interrupt service routine ends with an IRET instruction, IS0 and IS1 values are restored to the PSW. Table 2-6 shows the effects of IS0 and IS1 flag settings.

Table 2-6. Interrupt Status Flag Bit Settings

IS1 Value	IS0 Value	Status of Currently Executing Process	Effect of IS0 and IS1 Settings on Interrupt Request Control
0	0	0	All interrupt requests are serviced
0	1	1	Only high-priority interrupt(s) as determined in the interrupt priority register (IPR) are serviced
1	0	2	No more interrupt requests are serviced
1	1	–	Not applicable; these bit settings are undefined

Since interrupt status flags can be addressed by write instructions, programs can exert direct control over interrupt processing status. Before interrupt status flags can be addressed, however, you must first execute a DI instruction to inhibit additional interrupt routines. When the bit manipulation has been completed, execute an EI instruction to re-enable interrupt processing.

PROGRAMMING TIP — Setting ISx Flags for Interrupt Processing

The following instruction sequence shows how to use the IS0 and IS1 flags to control interrupt processing:

```
INTB      DI                ; Disable interrupt
          BITR      IS1      ; IS1 ← 0
          BITS     IS0      ; Allow interrupts according to IPR priority level
          EI                ; Enable interrupt
```

EMB FLAG (EMB)

The EMB flag is used to allocate specific address locations in the RAM by modifying the upper 4 bits of 12-bit data memory addresses. In this way, it controls the addressing mode for data memory banks 0, 1 or 15.

When the EMB flag is "0", the data memory address space is restricted to bank 15 and addresses 000H–07FH of memory bank 0, regardless of the SMB register contents. When the EMB flag is set to "1", the general-purpose areas of bank 0, 1 and 15 can be accessed by using the appropriate SMB value.

 PROGRAMMING TIP — Using the EMB Flag to Select Memory Banks

EMB flag settings for memory bank selection:

1. When EMB = "0":

SMB	1	; Non-essential instruction since EMB = "0"
LD	A,#9H	
LD	90H,A	; (F90H) ← A, bank 15 is selected
LD	34H,A	; (034H) ← A, bank 0 is selected
SMB	0	; Non-essential instruction since EMB = "0"
LD	90H,A	; (F90H) ← A, bank 15 is selected
LD	34H,A	; (034H) ← A, bank 0 is selected
SMB	15	; Non-essential instruction, since EMB = "0"
LD	20H,A	; (020H) ← A, bank 0 is selected
LD	90H,A	; (F90H) ← A, bank 15 is selected

2. When EMB = "1":

SMB	1	; Select memory bank 1
LD	A,#9H	
LD	90H,A	; (190H) ← A, bank 1 is selected
LD	34H,A	; (134H) ← A, bank 1 is selected
SMB	0	; Select memory bank 0
LD	90H,A	; (090H) ← A, bank 0 is selected
LD	34H,A	; (034H) ← A, bank 0 is selected
SMB	15	; Select memory bank 15
LD	20H,A	; Program error, but assembler does not detect it
LD	90H,A	; (F90H) ← A, bank 15 is selected

ERB FLAG (ERB)

The 1-bit register bank enable flag (ERB) determines the range of addressable working register area. When the ERB flag is "1", the working register area from register banks 0 to 3 is selected according to the register bank selection register (SRB). When the ERB flag is "0", register bank 0 is the selected working register area, regardless of the current value of the register bank selection register (SRB).

When an internal RESET is generated, bit 6 of program memory address 0000H is written to the ERB flag. This automatically initializes the flag. When a vectored interrupt is generated, bit 6 of the respective address table in program memory is written to the ERB flag, setting the correct flag status before the interrupt service routine is executed.

During the interrupt routine, the ERB value is automatically pushed to the stack area along with the other PSW bits. Afterwards, it is popped back to the FB0H.0 bit location. The initial ERB flag settings for each vectored interrupt are defined using VENTn instructions.

PROGRAMMING TIP — Using the ERB Flag to Select Register Banks

ERB flag settings for register bank selection:

1. When ERB = "0":

SRB	1	; Register bank 0 is selected (since ERB = "0", the
		; SRB is configured to bank 0)
LD	EA,#34H	; Bank 0 EA ← #34H
LD	HL,EA	; Bank 0 HL ← EA
SRB	2	; Register bank 0 is selected
LD	YZ,EA	; Bank 0 YZ ← EA
SRB	3	; Register bank 0 is selected
LD	WX,EA	; Bank 0 WX ← EA

2. When ERB = "1":

SRB	1	; Register bank 1 is selected
LD	EA,#34H	; Bank 1 EA ← #34H
LD	HL,EA	; Bank 1 HL ← Bank 1 EA
SRB	2	; Register bank 2 is selected
LD	YZ,EA	; Bank 2 YZ ← BANK2 EA
SRB	3	; Register bank 3 is selected
LD	WX,EA	; Bank 3 WX ← Bank 3 EA

SKIP CONDITION FLAGS (SC2, SC1, SC0)

The skip condition flags SC2, SC1, and SC0 in the PSW indicate the current program skip conditions and are set and reset automatically during program execution. Skip condition flags can only be addressed by 8-bit read instructions. Direct manipulation of the SC2, SC1, and SC0 bits is not allowed.

CARRY FLAG (C)

The carry flag is used to save the result of an overflow or borrow when executing arithmetic instructions involving a carry (ADC, SBC). The carry flag can also be used as a 1-bit accumulator for performing Boolean operations involving bit-addressed data memory.

If an overflow or borrow condition occurs when executing arithmetic instructions with carry (ADC, SBC), the carry flag is set to "1". Otherwise, its value is "0". When a RESET occurs, the current value of the carry flag is retained during power-down mode, but when normal operating mode resumes, its value is undefined.

The carry flag can be directly manipulated by predefined set of 1-bit read/write instructions, independent of other bits in the PSW. Only the ADC and SBC instructions, and the instructions listed in Table 2-7, affect the carry flag.

Table 2-7. Valid Carry Flag Manipulation Instructions

Operation Type	Instructions	Carry Flag Manipulation
Direct manipulation	SCF	Set carry flag to "1"
	RCF	Clear carry flag to "0" (reset carry flag)
	CCF	Invert carry flag value (complement carry flag)
	BTST C	Test carry and skip if C = "1"
Bit transfer	LDB (operand) ⁽¹⁾ ,C	Load carry flag value to the specified bit
	LDB C,(operand) ⁽¹⁾	Load contents of the specified bit to carry flag
Boolean manipulation	BAND C,(operand) ⁽¹⁾	AND the specified bit with contents of carry flag and save the result to the carry flag
	BOR C,(operand) ⁽¹⁾	OR the specified bit with contents of carry flag and save the result to the carry flag
	BXOR C,(operand) ⁽¹⁾	XOR the specified bit with contents of carry flag and save the result to the carry flag
Interrupt routine	INT _n ⁽²⁾	Save carry flag to stack with other PSW bits
Return from interrupt	IRET	Restore carry flag from stack with other PSW bits

NOTES:

1. The operand has three bit addressing formats: mema.a, memb.@L, and @H + DA.b.
2. "INT_n" refers to the specific interrupt being executed and is not an instruction.

PROGRAMMING TIP — Using the Carry Flag as a 1-Bit Accumulator

1. Set the carry flag to logic one:

```

SCF                ; C ← 1
LD      EA,#0C3H   ; EA ← #0C3H
LD      HL,#0AAH   ; HL ← #0AAH
ADC     EA,HL      ; EA ← #0C3H + #0AAH + #1H, C ← 1

```

2. Logical-AND bit 3 of address 3FH with P3.3 and output the result to P4.0:

```

LD      H,#3H      ; Set the upper four bits of the address to the H register
                        value
LDB     C,@H+0FH.3 ; C ← bit 3 of 3FH
BAND   C,P3.3      ; C ← C AND P3.3
LDB     P4.0,C     ; Output result from carry flag to P4.0

```

3 ADDRESSING MODES

OVERVIEW

The enable memory bank flag, EMB, controls the two addressing modes for data memory. When the EMB flag is set to logic one, you can address the entire RAM area; when the EMB flag is cleared to logic zero, the addressable area in the RAM is restricted to specific locations.

The EMB flag works in connection with the select memory bank instruction, SMB n. You will recall that the SMB n instruction is used to select RAM bank 0, 1 or 15. The SMB setting is always contained in the upper four bits of a 12-bit RAM address. For this reason, both addressing modes (EMB = "0" and EMB = "1") apply specifically to the memory bank indicated by the SMB instruction, and any restrictions to the addressable area within banks 0, 1 or 15. Direct and indirect 1-bit, 4-bit, and 8-bit addressing methods can be used. Several RAM locations are addressable at all times, regardless of the current EMB flag setting.

Here are a few guidelines to keep in mind regarding data memory addressing:

- When you address peripheral hardware locations in bank 15, the mnemonic for the memory-mapped hardware component can be used as the operand in place of the actual address location.
- Always use an even-numbered RAM address as the operand in 8-bit direct and indirect addressing.
- With direct addressing, use the RAM address as the instruction operand; with indirect addressing, the instruction specifies a register which contains the operand's address.

RAM Areas \ Addressing Mode		DA DA.b		@HL @H+DA.b		@WX @WL	mema.b	memb.@L
		EMB = 0	EMB = 1	EMB = 0	EMB = 1	X	X	X
000H	Working Registers							
01FH								
020H								
07FH	Bank 0 (General Registers and Stack)		SMB = 0		SMB = 0			
080H								
0FFH								
100H	Bank 1 (General Registers)		SMB = 1		SMB = 1			
1DFH								
1E0H								
1FFH	Bank 1 (Display Registers)		SMB = 1		SMB = 1			
F80H	Bank 15 (Peripheral Hardware Registers)		SMB = 15		SMB = 15	FB0H		
						FBFH		
						FC0H		
FFFH					FF0H			

NOTES:

- 'X' means don't care.
- Blank columns indicate RAM areas that are not addressable, given the addressing method and enable memory bank (EMB) flag setting shown in the column headers.

Figure 3-1. RAM Address Structure

EMB AND ERB INITIALIZATION VALUES

The EMB and ERB flag bits are set automatically by the values of the RESET vector address and the interrupt vector address. When a RESET is generated internally, bit 7 of program memory address 0000H is written to the EMB flag, initializing it automatically. When a vectored interrupt is generated, bit 7 of the respective vector address table is written to the EMB. This automatically sets the EMB flag status for the interrupt service routine. When the interrupt is serviced, the EMB value is automatically saved to stack and then restored when the interrupt routine has completed.

At the beginning of a program, the initial EMB and ERB flag values for each vectored interrupt must be set by using VENT instruction. The EMB and ERB can be set or reset by bit manipulation instructions (BITS, BITR) despite the current SMB setting.

PROGRAMMING TIP — Initializing the EMB and ERB Flags

The following assembly instructions show how to initialize the EMB and ERB flag settings:

```

ORG      0000H      ; ROM address assignment
VENT0    1,0,RESET  ; EMB ← 1, ERB ← 0, branch RESET
VENT1    0,1,INTB   ; EMB ← 0, ERB ← 1, branch INTB
VENT2    0,1,INT0   ; EMB ← 0, ERB ← 1, branch INT0
VENT3    0,1,INT1   ; EMB ← 0, ERB ← 1, branch INT1
VENT4    0,1,INTS   ; EMB ← 0, ERB ← 1, branch INTS
VENT5    0,1,INTT0  ; EMB ← 0, ERB ← 1, branch INTT0
      .
      .
      .
RESET    BITR      EMB

```

ENABLE MEMORY BANK SETTINGS

EMB = "1"

When the enable memory bank flag EMB is set to logic one, you can address the data memory bank specified by the select memory bank (SMB) value (0, 1 or 15) using 1-, 4-, or 8-bit instructions. You can use both direct and indirect addressing modes. The addressable RAM areas when EMB = "1" are as follows:

If SMB = 0, 000H–0FFH

If SMB = 1, 100H–1FFH

If SMB = 15, F80H–FFFH

EMB = "0"

When the enable memory bank flag EMB is set to logic zero, the addressable area is defined independently of the SMB value, and is restricted to specific locations depending on whether a direct or indirect address mode is used.

If EMB = "0", the addressable area is restricted to locations 000H–07FH in bank 0 and to locations F80H–FFFH in bank 15 for direct addressing. For indirect addressing, only locations 000H–0FFH in bank 0 are addressable, regardless of SMB value.

To address the peripheral hardware register (bank 15) using indirect addressing, the EMB flag must first be set to "1" and the SMB value to "15". When a RESET occurs, the EMB flag is set to the value contained in bit 7 of ROM address 0000H.

EMB-Independent Addressing

At any time, several areas of the data memory can be addressed independent of the current status of the EMB flag. These exceptions are described in Table 3-1.

Table 3-1. RAM Addressing Not Affected by the EMB Value

Address	Addressing Method	Affected Hardware	Program Examples
000H–0FFH	4-bit indirect addressing using WX and WL register pairs; 8-bit indirect addressing using SP	Not applicable	LD A,@WX PUSH EA POP EA
FB0H–FBFH FF0H–FFFH	1-bit direct addressing	PSW, SCMOD, IEx, IRQx, I/O	BITS EMB BITR IE4
FC0H–FFFH	1-bit indirect addressing using the L register	BSC, I/O	BTST FC3H.@L BAND C,P3.@L

SELECT BANK REGISTER (SB)

The select bank register (SB) is used to assign the memory bank and register bank. The 8-bit SB register consists of the 4-bit select register bank register (SRB) and the 4-bit select memory bank register (SMB), as shown in Figure 3-2.

During interrupts and subroutine calls, SB register contents can be saved to stack in 8-bit units by the PUSH SB instruction. You later restore the value to the SB using the POP SB instruction.

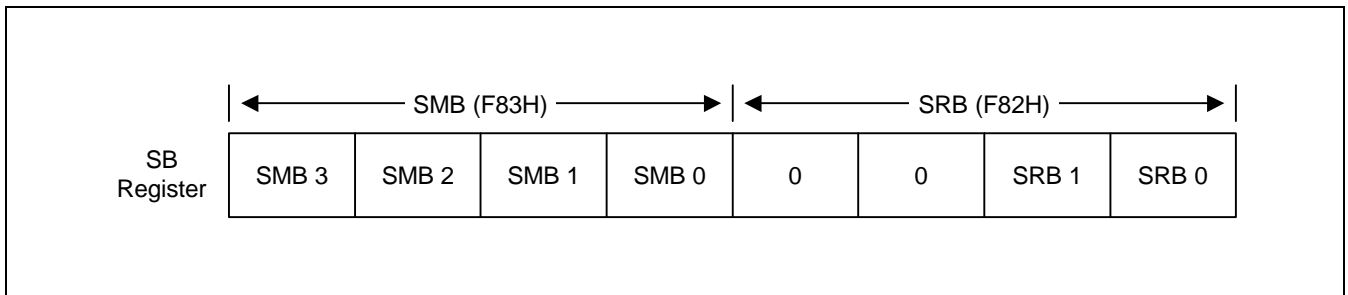


Figure 3-2. SMB and SRB Values in the SB Register

Select Register Bank (SRB) Instruction

The select register bank (SRB) value specifies which register bank is to be used as a working register bank. The SRB value is set by the “SRB n” instruction, where n = 0, 1, 2, 3.

One of the four register banks is selected by the combination of ERB flag status and the SRB value that is set using the “SRB n” instruction. The current SRB value is retained until another register is requested by program software. PUSH SB and POP SB instructions are used to save and restore the contents of SRB during interrupts and subroutine calls. RESET clears the 4-bit SRB value to logic zero.

Select Memory Bank (SMB) Instruction

To select one of the four available data memory banks, you must execute an SMB n instruction specifying the number of the memory bank you want (0, 1 or 15). For example, the instruction “SMB 1” selects bank 1 and “SMB 15” selects bank 15. (And remember to enable the selected memory bank by making the appropriate EMB flag setting.

The upper four bits of the 12-bit data memory address are stored in the SMB register. If the SMB value is not specified by software (or if a RESET does not occur) the current value is retained. RESET clears the 4-bit SMB value to logic zero.

The PUSH SB and POP SB instructions save and restore the contents of the SMB register to and from the stack area during interrupts and subroutine calls.

DIRECT AND INDIRECT ADDRESSING

1-bit, 4-bit, and 8-bit data stored in data memory locations can be addressed directly using a specific register or bit address as the instruction operand.


Indirect addressing specifies a memory location that contains the required direct address. The KS57 instruction set supports 1-bit, 4-bit, and 8-bit indirect addressing. For 8-bit indirect addressing, an even-numbered RAM address must always be used as the instruction operand.

1-BIT ADDRESSING

Table 3-2. 1-Bit Direct and Indirect RAM Addressing

Operand Notation	Addressing Mode Description	EMB Flag Setting	Addressable Area	Memory Bank	Hardware I/O Mapping
DA.b	Direct: a bit is indicated by the RAM address (DA), memory bank selection, and a the specified bit number (b).	0	000H–07FH	Bank 0	–
			F80H–FFFH	Bank 15	All 1-bit addressable peripherals (SMB = 15)
		1	000H–FFFH	SMB = 0, 1, 15	
mema.b	Direct: a bit is indicated by the addressable area (mema) and a the bit number (b).	x	FB0H–FBFH FF0H–FFFH	Bank 15	IS0, IS1, EMB, ERB, IEx, IRQx, Pn.n
memb.@L	Indirect: a bit is indicated by the addressable area (memb.7–2 (upper) + L.3–2 (lower)) and the bit number (L.1–0).	x	FC0H–FFFH	Bank 15	BSCn.x Pn.n
@H + DA.b	Indirect: a bit is indicated by the addressable area (H (upper) + DA.3–0 (lower)) , memory bank selection, and the bit number (b).	0	000H–0FFH	Bank 0	–
		1	000H–FFFH	SMB = 0, 1, 15	All 1-bit addressable peripherals (SMB = 15)

NOTE: “x” means don’t care.

 **PROGRAMMING TIP — 1-Bit Addressing Modes**
1-Bit Direct Addressing

1. If EMB = "0":

```

AFLAG EQU      34H.3
BFLAG EQU      85H.3
CFLAG EQU      0BAH.0
SMB           0
BITS          AFLAG          ; 34H.3 ← 1
BITS          BFLAG          ; 85H.3 ← 1
BTST          CFLAG          ; If FBAH.0 = 1, skip
BITS          BFLAG          ; Else if, FBAH.0 = 0, F85H.3 (BMOD.3) ← 1
BITS          P3.0           ; FF3H.0 (P3.0) ← 1

```

2. If EMB = "1":

```

AFLAG EQU      34H.3
BFLAG EQU      85H.3
CFLAG EQU      0BAH.0
SMB           0
BITS          AFLAG          ; 34H.3 ← 1
BITS          BFLAG          ; 85H.3 ← 1
BTST          CFLAG          ; If 0BAH.0 = 1, skip
BITS          BFLAG          ; Else if 0BAH.0 = 0, 085H.3 ← 1
BITS          P3.0           ; FF3H.0 (P3.0) ← 1

```

1-Bit Indirect Addressing

1. If EMB = "0":

```

AFLAG EQU      34H.3
BFLAG EQU      85H.3
CFLAG EQU      0BAH.0
SMB           0
LD            H,#0BH          ; H ← #0BH
BTSTZ        @H+CFLAG        ; If 0BAH.0 = 1, 0BAH.0 ← 0 and skip
BITS          CFLAG          ; Else if 0BAH.0 = 0, FBAH.0 ← 1

```

2. If EMB = "1":

```

AFLAG EQU      34H.3
BFLAG EQU      85H.3
CFLAG EQU      0BAH.0
SMB           0
LD            H,#0BH          ; H ← #0BH
BTSTZ        @H+CFLAG        ; If 0BAH.0 = 1, 0BAH.0 ← 0 and skip
BITS          CFLAG          ; Else if 0BAH.0 = 0, 0BAH.0 ← 1


```

4-BIT ADDRESSING

Table 3-3. 4-Bit Direct and Indirect RAM Addressing

Operand Notation	Addressing Mode Description	EMB Flag Setting	Addressable Area	Memory Bank	Hardware I/O Mapping
DA	Direct: 4-bit address indicated by the RAM address (DA) and the memory bank selection	0	000H–07FH	Bank 0	–
			F80H–FFFH	Bank 15	All 4-bit addressable peripherals
		1	000H–FFFH	SMB = 0, 1, 15	(SMB = 15)
@HL	Indirect: 4-bit address indicated by the memory bank selection and register HL	0	000H–0FFH	Bank 0	–
			1	000H–FFFH	SMB = 0, 1, 15
@WX	Indirect: 4-bit address indicated by register WX	x	000H–0FFH	Bank 0	–
@WL	Indirect: 4-bit address indicated by register WL	x	000H–0FFH	Bank 0	–

NOTE: "x" means don't care.

 PROGRAMMING TIP — 4-Bit Addressing Modes

4-Bit Direct Addressing

1. If EMB = "0":

```

ADATA EQU      46H
BDATA EQU      8EH
SMB           15           ; Non-essential instruction, since EMB = "0"
LD            A,P3        ; A ← (P3)
SMB           0           ; Non-essential instruction, since EMB = "0"
LD            ADATA,A     ; (046H) ← A
LD            BDATA,A     ; (F8EH (LCON)) ← A

```

2. If EMB = "1":

```

ADATA EQU      46H
BDATA EQU      8EH
SMB           15
LD            A,P3        ; A ← (P3)
SMB           0
LD            ADATA,A     ; (046H) ← A
LD            BDATA,A     ; (08EH) ← A

```

 **PROGRAMMING TIP — 4-Bit Addressing Modes (Continued)**

4-Bit Indirect Addressing (Example 1)

1. If EMB = "0", compare bank 0 locations 040H–046H with bank 0 locations 060H–066H:

```

ADATA EQU      46H
BDATA EQU      66H
      SMB      1                ; Non-essential instruction, since EMB = "0"
      LD      HL,#BDATA
      LD      WX,#ADATA
COMP  LD      A,@WL            ; A ← bank 0 (040H–046H)
      CPSE   A,@HL            ; If bank 0 (060H–066H) = A, skip
      SRET
      DECS   L
      JR    COMP
      RET

```

2. If EMB = "1", compare bank 0 locations 040H–046H to bank 1 locations 160H–166H:

```

ADATA EQU      46H
BDATA EQU      66H
      SMB      1
      LD      HL,#BDATA
      LD      WX,#ADATA
COMP  LD      A,@WL            ; A ← bank 0 (040H–046H)
      CPSE   A,@HL            ; If bank 1 (160H–166H) = A, skip
      SRET
      DECS   L
      JR    COMP
      RET

```

4-Bit Indirect Addressing (Example 2)

1. If EMB = "0", exchange bank 0 locations 040H–046H with bank 0 locations 060H–066H:

```

ADATA EQU      46H
BDATA EQU      66H
      SMB      1                ; Non-essential instruction, since EMB = "0"
      LD      HL,#BDATA
      LD      WX,#ADATA
TRANS LD      A,@WL            ; A ← bank 0 (040H–046H)
      XCHD   A,@HL            ; Bank 0 (060H–066H) ↔ A
      JR      TRANS

```

2. If EMB = "1", exchange bank 0 locations 040H–046H to bank 1 locations 160H–166H:

```


ADATA EQU      46H
BDATA EQU      66H
      SMB      1
      LD      HL,#BDATA
      LD      WX,#ADATA
TRANS LD      A,@WL            ; A ← bank 0 (040H–046H)
      XCHD   A,@HL            ; Bank 1 (160H–166H) ↔ A
      JR      TRANS

```


8-BIT ADDRESSING

Table 3-4. 8-Bit Direct and Indirect RAM Addressing

Instruction Notation	Addressing Mode Description	EMB Flag Setting	Addressable Area	Memory Bank	Hardware I/O Mapping
DA	Direct: 8-bit address indicated by the RAM address (<i>DA = even number</i>) and memory bank selection	0	000H–07FH	Bank 0	–
		0	F80H–FFFH	Bank 15	All 8-bit addressable peripherals
		1	000H–FFFH	SMB = 0, 1, 15	(SMB = 15)
@HL	Indirect: the 8-bit address indicated by the memory bank selection and register HL; (the 4-bit L register value must be an even number)	0	000H–0FFH	Bank 0	–
		1	000H–FFFH	SMB = 0, 1, 15	All 8-bit addressable peripherals (SMB = 15)

 PROGRAMMING TIP — 8-Bit Addressing Modes

8-Bit Direct Addressing

1. If EMB = "0":

```

ADATA EQU      46H
BDATA EQU      8EH
SMB          15          ; Non-essential instruction, since EMB = "0"
LD           EA,P4      ; E ← (P5), A ← (P4)
SMB          0
LD           ADATA,EA   ; (046H) ← A, (047H) ← E
LD           BDATA,EA   ; (F8EH) ← A, (F8FH) ← E

```

2. If EMB = "1":

```

ADATA EQU      46H
BDATA EQU      8EH
SMB          15
LD           EA,P4      ; E ← (P5), A ← (P4)
SMB          0
LD           ADATA,EA   ; (046H) ← A, (047H) ← E
LD           BDATA,EA   ; (08EH) ← A, (08FH) ← E

```

 **PROGRAMMING TIP — 8-Bit Addressing Modes (Continued)****8-Bit Indirect Addressing**

1. If EMB = "0":

ADATA	EQU	46H	
	SMB	1	; Non-essential instruction, since EMB = "0"
	LD	HL,#ADATA	
	LD	EA,@HL	; A ← (046H), E ← (047H)

2. If EMB = "1":

ADATA	EQU	46H	
	SMB	1	
	LD	HL,#ADATA	
	LD	EA,@HL	; A ← (146H), E ← (147H)

4

MEMORY MAP

OVERVIEW

To support program control of peripheral hardware, I/O addresses for peripherals are memory-mapped to bank 15 of the RAM. Memory mapping lets you use a mnemonic as the operand of an instruction in place of the specific memory location.

Access to bank 15 is controlled by the select memory bank (SMB) instruction and by the enable memory bank flag (EMB) setting. If the EMB flag is "0", bank 15 can be addressed using direct addressing, regardless of the current SMB value. 1-bit direct and indirect addressing can be used for specific locations in bank 15, regardless of the current EMB value.

I/O MAP FOR HARDWARE REGISTERS

Table 4-1 contains detailed information about I/O mapping for peripheral hardware in bank 15 (register locations F80H–FFFH). Use the I/O map as a quick-reference source when writing application programs. The I/O map gives you the following information:

- Register address
- Register name (mnemonic for program addressing)
- Bit values (both addressable and non-manipulable)
- Read-only, write-only, or read and write addressability
- 1-bit, 4-bit, or 8-bit data manipulation characteristics

Table 4-1. I/O Map for Memory Bank 15

Memory Bank 15							Addressing Mode		
Address	Register	Bit 3	Bit 2	Bit 1	Bit 0	R/W	1-Bit	4-Bit	8-Bit
F80H	SP	.3	.2	.1	"0"	R/W	No	No	Yes
F81H		.7	.6	.5	.4				
F82H	SB	"0"	"0"	SRB1	SRB0	-	No	No	No
F83H		SMB3	SMB2	SMB1	SMB0				
Location F84H is not mapped.									
F85H	BMOD	.3	.2	.1	.0	W	.3	Yes	No
F86H	BCNT	.3	.2	.1	.0	R	No	No	Yes
F87H		.7	.6	.5	.4				
F88H	WMOD	.3	.2	.1	.0	W	.3 (1)	No	Yes
F89H		.7	"0"	.5	.4				
F8AH	LRESDIS	.3	.2	.1	.0	R/W	No	No	Yes
F8BH		.7	.6	.5	.4				
F8CH	LMOD	.3	.2	.1	.0	W	.3	No	Yes
F8DH		.7	.6	.5	.4				
F8EH	LCON	"0"	.2	"0"	.0	W	No	Yes	No
Location F8FH is not mapped.									
F90H	TMOD0	.3	.2	"0"	"0"	W	.3	No	Yes
F91H		"0"	.6	.5	.4				
F92H	TOE	"U" (2)	TOE0	"U" (2)	"U" (2)	R/W	Yes	No	No
Location F93H is not mapped.									
F94H	TCNT0	.3	.2	.1	.0	R	No	No	Yes
F95H		.7	.6	.5	.4				
F96H	TREF0	.3	.2	.1	.0	W	No	No	Yes
F97H		.7	.6	.5	.4				
F98H	WDMOD	.3	.2	.1	.0	W	No	No	Yes
F99H		.7	.6	.5	.4				
F9AH	WDFLAG	.3	"0"	"0"	"0"	W	Yes	Yes	No
Locations F9BH–FAFH are not mapped.									
FB0H	PSW	IS1	IS0	EMB	ERB	R/W	Yes	Yes	Yes
FB1H		C (3)	SC2	SC1	SC0	R	No	No	
FB2H	IPR	IME	.2	.1	.0	W	IME	Yes	No
FB3H	PCON	.3	.2	.1	.0	W	No	Yes	No
FB4H	IMOD0	.3	"0"	.1	.0	W	No	Yes	No
FB5H	IMOD1	"0"	"0"	"0"	.0				
FB6H	IMOD2	"0"	.2	.1	.0				

Table 4-1. I/O Map for Memory Bank 15 (Continued)

Memory Bank 15							Addressing Mode		
Address	Register	Bit 3	Bit 2	Bit 1	Bit 0	R/W	1-Bit	4-Bit	8-Bit
FB7H	SCMOD	.3	.2	"0"	.0	W	Yes	No	No
FB8H	INT (A)	IE4	IRQ4	IEB	IRQB	R/W	Yes	Yes	No
Location FB9H is not mapped									
FBAH	INT (B)	"0"	"0"	IEW	IRQW	R/W	Yes	Yes	No
Location FBBH is not mapped.									
FBCH	INT (C)	"0"	"0"	IET0	IRQT0	R/W	Yes	Yes	No
FBDH	INT (D)	"0"	"0"	IES	IRQS				
FBEH	INT (E)	IE1	IRQ1	IE0	IRQ0				
FBFH	INT (F)	"0"	"0"	IE2	IRQ2				
FC0H	BSC0	.3	.2	.1	.0	R/W	Yes	Yes	Yes
FC1H	BSC1	.3	.2	.1	.0				
FC2H	BSC2	.3	.2	.1	.0				
FC3H	BSC3	.3	.2	.1	.0				
FD0H	CLMOD	.3	"0"	.1	.0	W	No	Yes	No
Locations FD1H–FD5H are not mapped.									
FD6H	PNE	PNE4.3	PNE4.2	PNE4.1	PNE4.0	W	No	No	Yes
FD7H		PNE5.3	PNE5.2	PNE5.1	PNE5.0				
Locations FD8H–FDBH are not mapped.									
FDCH	PUMOD	PM.3	PM.2	PM.1	PM.0	W	No	No	Yes
FDDH		PM.7	PM.6	PM.5	PM.4				
Locations FDEH–FDFH are not mapped.									
FE0H	SMOD	.3	.2	.1	.0	W	.3 (R/W)	No	Yes
FE1H		.7	.6	.5	"0"				
Locations FE2H–FE3H are not mapped.									
FE4H	SBUF	.3	.2	.1	.0	R/W	No	No	Yes
FE5H		.7	.6	.5	.4				
Locations FE6H–FE7H are not mapped.									
FE8H	PMG1	PM3.3	PM3.2	PM3.1	PM3.0	W	No	No	Yes
FE9H		PM6.3	PM6.2	PM6.1	PM6.0				
Locations FEAH–FEBH are not mapped.									
FECH	PMG2	"0"	PM2	"0"	"0"	W	No	No	Yes
FEDH		PM7	"0"	PM5	PM4				
Locations FEEH–FEFH are not mapped.									

Table 4-1. I/O Map for Memory Bank 15 (Concluded)

Memory Bank 15							Addressing Mode		
Address	Register	Bit 3	Bit 2	Bit 1	Bit 0	R/W	1-Bit	4-Bit	8-Bit
FF0H	Port 0	.3	.2	.1	.0	R	Yes	Yes	No
FF1H	Port 1	.3	.2	.1	.0	R	Yes	Yes	No
FF2H	Port 2	.3	.2	.1	.0	R/W	Yes	Yes	No
FF3H	Port 3	.3	.2	.1	.0	R/W	Yes	Yes	No
FF4H	Port 4	.3	.2	.1	.0	R/W	Yes	Yes	Yes
FF5H	Port 5	.3/.7	.2/.6	.1/.5	.0/.4	R/W	Yes	Yes	
FF6H	Port 6	.3	.2	.1	.0	R/W	Yes	Yes	Yes
FF7H	Port 7	.3/.7	.2/.6	.1/.5	.0/.4	R/W	Yes	Yes	
Locations FF8H–FFFH are not mapped.									

NOTES:

1. Bit 3 in the WMOD register is read only.
2. "U" means that the value is unknown.
3. The carry flag can be read or written by specific bit manipulation instructions only.

REGISTER DESCRIPTIONS

In this section, register descriptions are presented in a consistent format to familiarize you with the memory-mapped I/O locations in bank 15 of the RAM. Figure 4-1 describes the features of the register description format. Register descriptions are arranged in alphabetical order. Programmers can use this section as a quick-reference source when writing application programs.

Counter registers, buffer registers, and reference registers, as well as the stack pointer and port I/O latches, are not included in these descriptions. More detailed information about how these registers are used is included in Part II of this manual, "Hardware Descriptions", in the context of the corresponding peripheral hardware module descriptions.

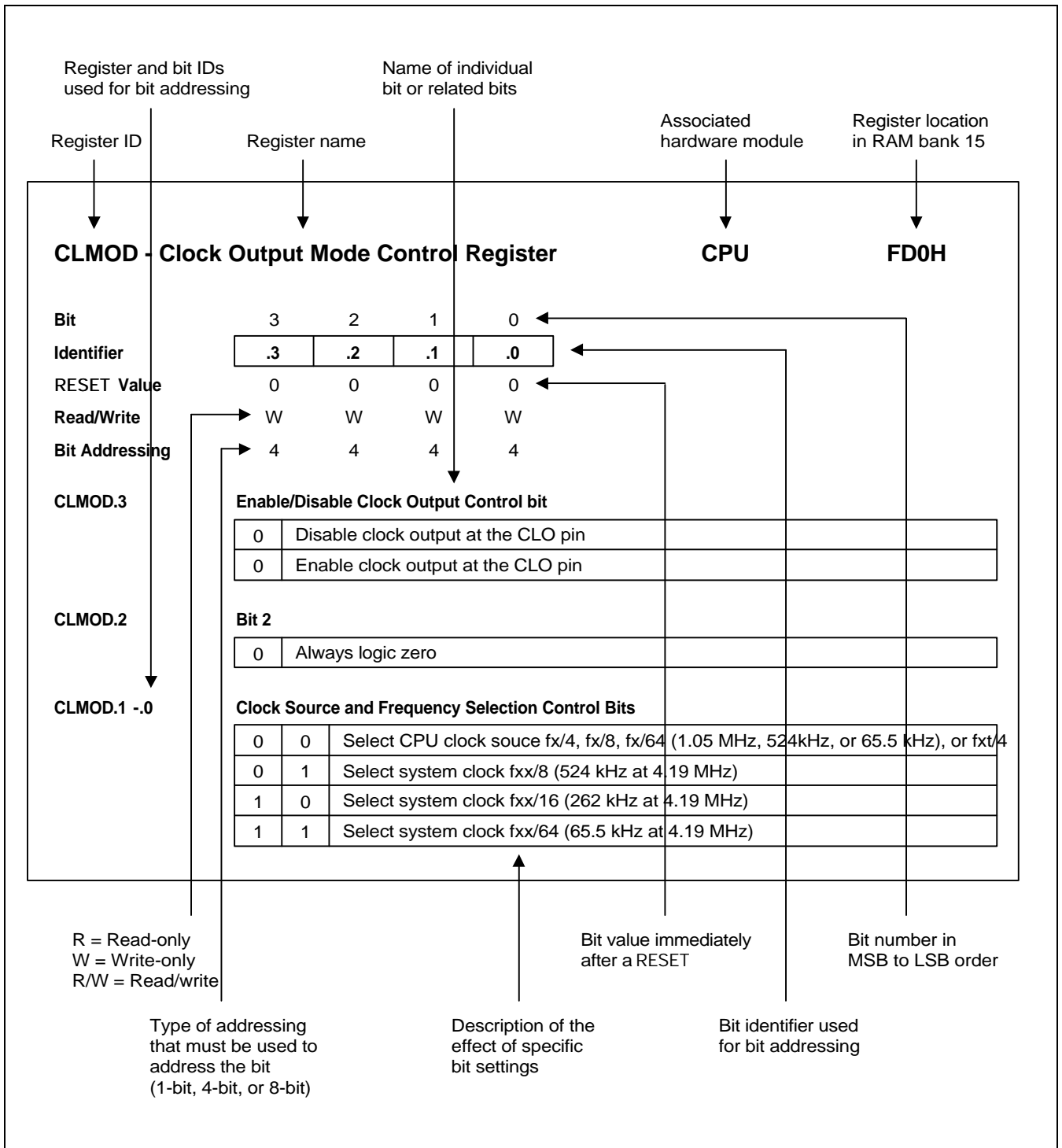


Figure 4-1. Register Description Format

BMOD — Basic Timer Mode Register

F85H

Bit	3	2	1	0
Identifier	.3	.2	.1	.0
RESET Value	0	0	0	0
Read/Write	W	W	W	W
Bit Addressing	1/4	4	4	4

.3 Basic Timer Restart Bit

1	Restart basic timer, then clear IRQB flag, BCNT and BMOD.3 to logic zero
---	--

.2–.0 Input Clock Frequency and Signal Interrupt Interval Time Control Bits

0	0	0	Input clock frequency: Interrupt interval time (wait time):	$f_{xx}/2^{12}$ (1.02 kHz) $2^{20}/f_{xx}$ (250 ms)
0	1	1	Input clock frequency: Interrupt interval time (wait time):	$f_{xx}/2^9$ (8.18 kHz) $2^{17}/f_{xx}$ (31.3 ms)
1	0	1	Input clock frequency: Interrupt interval time (wait time):	$f_{xx}/2^7$ (32.7 kHz) $2^{15}/f_{xx}$ (7.82 ms)
1	1	1	Input clock frequency: Interrupt interval time (wait time):	$f_{xx}/2^5$ (131 kHz) $2^{13}/f_{xx}$ (1.95 ms)

NOTES:

- When a RESET occurs, the oscillator stabilization wait time is 31.3 ms ($2^{17}/f_{xx}$) at 4.19 MHz.
- "fxx" is the system clock rate given a clock frequency of 4.19 MHz.

CLMOD — Clock Output Mode Register

FD0H

Bit	3	2	1	0
Identifier	.3	"0"	.1	.0
RESET Value	0	0	0	0
Read/Write	W	W	W	W
Bit Addressing	4	4	4	4

.3 Enable/Disable Clock Output Control Bit

0	Disable clock output
1	Enable clock output

.2 Bit 2

0	Always logic zero
---	-------------------

.1–.0 Clock Source and Frequency Selection Control Bits

0	0	Select CPU clock source $fx/4$, $fx/8$, $fx/64$, or $fx/4$ (1.05 MHz, 524 kHz, 65.5 kHz, or 8.19 kHz)
0	1	Select system clock $fx/8$ (524 kHz)
1	0	Select system clock $fx/16$ (262 kHz)
1	1	Select system clock $fx/64$ (65.5 kHz)

NOTE: "fxx" is the system clock, given a clock frequency of 4.19 MHz.

IE0, 1, IRQ0, 1 — INT0, 1 Interrupt Enable/Request Flags**FBEH**

Bit	3	2	1	0
Identifier	IE1	IRQ1	IE0	IRQ0
RESET Value	0	0	0	0
Read/Write	R/W	R/W	R/W	R/W
Bit Addressing	1/4	1/4	1/4	1/4

IE1	INT1 Interrupt Enable Flag	
	0	Disable interrupt requests at the INT1 pin
	1	Enable interrupt requests at the INT1 pin

IRQ1	INT1 Interrupt Request Flag	
	–	Generate INT1 interrupt (This bit is set and cleared by hardware when rising or falling edge detected at INT1 pin.)

IE0	INT0 Interrupt Enable Flag	
	0	Disable interrupt requests at the INT0 pin
	1	Enable interrupt requests at the INT0 pin

IRQ0	INT0 Interrupt Request Flag	
	–	Generate INT0 interrupt (This bit is set and cleared automatically by hardware when rising or falling edge detected at INT0 pin.)

IE2, IRQ2 — INT2 Interrupt Enable/Request Flags**FBFH**

Bit	3	2	1	0
Identifier	"0"	"0"	IE2	IRQ2
RESET Value	0	0	0	0
Read/Write	R/W	R/W	R/W	R/W
Bit Addressing	1/4	1/4	1/4	1/4

.3–2**Bits 3–2**

0	Always logic zero
---	-------------------

IE2**INT2 Interrupt Enable Flag**

0	Disable INT2 interrupt requests at the INT2 pin
1	Enable INT2 interrupt requests at the INT2 pin

IRQ2**INT2 Interrupt Request Flag**

–	Generate INT2 quasi-interrupt (This bit is set and is not cleared automatically by hardware when a rising or falling edge is detected at INT2 or KS0–KS7 respectively. Since INT2 is a quasi-interrupt, IRQ2 flag must be cleared by software.)
---	---

IE4, IRQ4 — INT4 Interrupt Enable/Request Flags

FB8H

IEB, IRQB — INTB Interrupt Enable/Request Flags

FB8H

Bit	3	2	1	0
Identifier	IE4	IRQ4	IEB	IRQB
RESET Value	0	0	0	0
Read/Write	R/W	R/W	R/W	R/W
Bit Addressing	1/4	1/4	1/4	1/4

IE4 INT4 Interrupt Enable Flag

0	Disable interrupt requests at the INT4 pin
1	Enable interrupt requests at the INT4 pin

IRQ4 INT4 Interrupt Request Flag

–	Generate INT4 interrupt (This bit is set and cleared automatically by hardware when rising or falling signal edge detected at INT4 pin.)
---	--

IEB INTB Interrupt Enable Flag

0	Disable INTB interrupt requests
1	Enable INTB interrupt requests

IRQB INTB Interrupt Request Flag

–	Generate INTB interrupt (This bit is set and cleared automatically by hardware when reference interval signal received from basic timer.)
---	---

IES, IRQS — INTS Interrupt Enable/Request Flags

FBDH

Bit	3	2	1	0
Identifier	"0"	"0"	IES	IRQS
RESET Value	0	0	0	0
Read/Write	R/W	R/W	R/W	R/W
Bit Addressing	1/4	1/4	1/4	1/4

.3–2

Bits 3–2

0	Always logic zero
---	-------------------

IES

INTS Interrupt Enable Flag

0	Disable INTS interrupt requests
1	Enable INTS interrupt requests

IRQS

INTS Interrupt Request Flag

–	Generate INTS interrupt (This bit is set and cleared automatically by hardware when serial data transfer completion signal received from serial I/O interface.)
---	---

IETO, IRQT0 — INTT0 Interrupt Enable/Request Flags**FBCH**

Bit	3	2	1	0
Identifier	"0"	"0"	IETO	IRQT0
RESET Value	0	0	0	0
Read/Write	R/W	R/W	R/W	R/W
Bit Addressing	1/4	1/4	1/4	1/4

.3–2**Bits 3–2**

0	Always logic zero
---	-------------------

IETO**INTT0 Interrupt Enable Flag**

0	Disable INTT0 interrupt requests
1	Enable INTT0 interrupt requests

IRQT0**INTT0 Interrupt Request Flag**

–	Generate INTT0 interrupt (This bit is set and cleared automatically by hardware when contents of TCNT0 and TREF0 registers match.)
---	--

IEW, IRQW — INTW Interrupt Enable/Request Flags**FBAH**

Bit	3	2	1	0
Identifier	"0"	"0"	IEW	IRQW
RESET Value	0	0	0	0
Read/Write	R/W	R/W	R/W	R/W
Bit Addressing	1/4	1/4	1/4	1/4

.3–2**Bits 3–2**

0	Always logic zero
---	-------------------

IEW**INTW Interrupt Enable Flag**

0	Disable INTW interrupt requests
1	Enable INTW interrupt requests

IRQW**INTW Interrupt Request Flag**

–	Generate INTW interrupt (This bit is set when the timer interval is set to 0.5 seconds or 3.91 ms.)
---	---

NOTE: Since INTW is a quasi-interrupt, the IRQW flag must be cleared by software.

IMOD0 — External Interrupt 0 (INT0) Mode Register

FB4H

Bit	3	2	1	0
Identifier	.3	"0"	.1	.0
RESET Value	0	0	0	0
Read/Write	W	W	W	W
Bit Addressing	4	4	4	4

.3 **Interrupt Sampling Clock Selection Bit**

0	Select CPU clock as a sampling clock
1	Select sampling clock frequency of the selected system clock (fxx/64)

.2 **Bit 2**

0	Always logic zero
---	-------------------

.1–0 **External Interrupt Mode Control Bits**

0	0	Interrupt requests are triggered by a rising signal edge
0	1	Interrupt requests are triggered by a falling signal edge
1	0	Interrupt requests are triggered by both rising and falling signal edges
1	1	Interrupt request flag (IRQ0) cannot be set to logic one

IMOD1 — External Interrupt 1 (INT1) Mode Register

FB5H

Bit	3	2	1	0
Identifier	"0"	"0"	"0"	IMOD1.0
RESET Value	0	0	0	0
Read/Write	W	W	W	W
Bit Addressing	4	4	4	4

.3–.1

Bits 3–1

0	Always logic zero
---	-------------------

.0

External Interrupt 1 Edge Detection Control Bit

0	Rising edge detection
1	Falling edge detection

IMOD2 — External Interrupt 2 (INT2) Mode Register

FB6H

Bit	3	2	1	0
Identifier	"0"	IMOD2.2	IMOD2.1	IMOD2.0
RESET Value	0	0	0	0
Read/Write	W	W	W	W
Bit Addressing	4	4	4	4

.3

Bits 3

0	Always logic zero
---	-------------------

.2–0

External Interrupt 2 Edge Detection Selection Bit

0	0	0	Select rising edge at INT2 pin
0	0	1	Select falling edge at KS4–KS7
0	1	0	Select falling edge at KS2–KS7
0	1	1	Select falling edge at KS0–KS7
1	–	–	Ignore selection of falling edge at KS4–KS7

IPR — Interrupt Priority Register**FB2H**

Bit	3	2	1	0
Identifier	IME	.2	.1	.0
RESET Value	0	0	0	0
Read/Write	W	W	W	W
Bit Addressing	1/4	4	4	4

IME**Interrupt Master Enable Bit**

0	Disable all interrupt processing
1	Enable processing for all interrupt service requests

.2–0**Interrupt Priority Assignment Bits**

0	0	0	Normal interrupt handling according to default priority settings
0	0	1	Process INTB and INT4 interrupts at highest priority
0	1	0	Process INT0 interrupts at highest priority
0	1	1	Process INT1 interrupts at highest priority
1	0	0	Process INTS interrupts at highest priority
1	0	1	Process INTT0 interrupts at highest priority

LCON — LCD Output Control Register

F8EH

Bit	3	2	1	0
Identifier	"0"	.2	"0"	.0
RESET Value	0	0	0	0
Read/Write	W	W	W	W
Bit Addressing	4	4	4	4

.3 LCD Bias Selection Bit

0	This bit is used for internal testing only; always logic zero.
---	--

.2 LCD Clock Output Disable/Enable Bit

0	Disable LCDCK and LCDSY signal outputs.
1	Enable LCDCK and LCDSY signal outputs.

.1 Bit 1

0	Always logic zero
---	-------------------

.0 LCD Display Control Bit

0	LCD output low, turns display off: cut off current to dividing resistor, and output port 8 latch contents.
1	If LMOD.3 = "0", turns display off; output port 8 latch contents; If LMOD.3 = "1", COM and SEG output in display mode; LCD display on.

NOTES:

1. You can manipulate LCON.0, when you try to turn ON/OFF LCD display internally. If you want to control LCD ON/OFF or LCD contrast externally, you should set the LCON.0 to "0". refer to chapter 12, if you need more information.
2. To select the LCD bias, you must properly configure both LMOD register and the external LCD bias circuit connection.

LMOD — LCD Mode Register**F8DH, F8CH**

Bit	7	6	5	4	3	2	1	0
Identifier	.7	.6	.5	.4	.3	.2	.1	.0
RESET Value	0	0	0	0	0	0	0	0
Read/Write	W	W	W	W	W	W	W	W
Bit Addressing	8	8	8	8	1/8	8	8	8

.7–6**LCD Output Segment and Pin Configuration Bits**

0	0	Segments 24–27; and 28–31
0	1	Segment 24–27; 1-bit output at P8.4–P8.7
1	0	Segment 28–31; 1-bit output at P8.0–P8.3
1	1	1-bit output only at P8.0–P8.3, and P8.4–P8.7

.5–4**LCD Clock (LCDCK) Frequency Selection Bits**

0	0	$f_w/2^9 = 64$ Hz
0	1	$f_w/2^8 = 128$ Hz
1	0	$f_w/2^7 = 256$ Hz
1	1	$f_w/2^6 = 512$ Hz

NOTE: Assuming watch timer clock (f_w) = 32.768 kHz.**.3–0****Duty and Bias Selection for LCD Display**

0	–	–	–	LCD display off
1	0	0	0	1/4 duty, 1/3 bias
1	0	0	1	1/3 duty, 1/3 bias
1	0	1	0	1/2 duty, 1/2 bias
1	0	1	1	1/3 duty, 1/2 bias
1	1	0	0	Static

LRESDIS — LCD Resistor Disable Register

F8AH, F8BH

Bit	7	6	5	4	3	2	1	0
Identifier	.7	.6	.5	.4	.3	.2	.1	.0
RESET Value	0	0	0	0	0	0	0	0
Read/Write	R/W	R/W	R/W	R/W	R/W	R/W	R/W	R/W
Bit Addressing	8	8	8	8	8	8	8	8

LRESDIS**LCD Bias Enable/Disable Control**

2DH	Disable LCD bias resistor
Others	Enable LCD bias resistor

NOTES

1. If the value of LRESDIS is 2DH, LRESDIS signal will be high.
2. If LRESDIS is low, LCD bias resistor will be enabled (default value). But if LRESDIS is high, LCD bias resistor will be disabled, and LCD bias can be supplied externally.

PCON — Power Control Register FB3H

Bit	3	2	1	0
Identifier	.3	.2	.1	.0
RESET Value	0	0	0	0
Read/Write	W	W	W	W
Bit Addressing	4	4	4	4

.3–.2

CPU Operating Mode Control Bits

0	0	Enable normal CPU operating mode
0	1	Initiate idle power-down mode
1	0	Initiate stop power-down mode

.1–.0

CPU Clock Frequency Selection Bits

0	0	If SCMOD.0 = "0", fx/64; if SCMOD.0 = "1", fxt/4
1	0	If SCMOD.0 = "0", fx/8; if SCMOD.0 = "1", fxt/4
1	1	If SCMOD.0 = "0", fx/4; if SCMOD.0 = "1", fxt/4

NOTE: "fx" is the main system clock; "fxt" is the subsystem clock.

PMG1 — Port I/O Mode Flags (Group 1: Port 3 and 6)

FE9H, FE8H

Bit	7	6	5	4	3	2	1	0
Identifier	PM6.3	PM6.2	PM6.1	PM6.0	PM3.3	PM3.2	PM3.1	PM3.0
RESET Value	0	0	0	0	0	0	0	0
Read/Write	W	W	W	W	W	W	W	W
Bit Addressing	8	8	8	8	8	8	8	8

PM6.3 P6.3 I/O Mode selection Flag

0	Set P6.3 to input mode
1	Set P6.3 to output mode

PM6.2 P6.2 I/O Mode Selection Flag

0	Set P6.2 to input mode
1	Set P6.2 to output mode

PM6.1 P6.1 I/O Mode Selection Flag

0	Set P6.1 to input mode
1	Set P6.1 to output mode

PM6.0 P6.0 I/O Mode Selection Flag

0	Set P6.0 to input mode
1	Set P6.0 to output mode

PM3.3 P3.3 I/O Mode Selection Flag

0	Set P3.3 to input mode
1	Set P3.3 to output mode

PM3.2 P3.2 I/O Mode Selection Flag

0	Set P3.2 to input mode
1	Set P3.2 to output mode

PM3.1 P3.1 I/O Mode Selection Flag

0	Set P3.1 to input mode
1	Set P3.1 to output mode

PM3.0 P3.0 I/O Mode Selection Flag

0	Set P3.0 to input mode
1	Set P3.0 to output mode

PMG2 — Port I/O Mode Flags (Group 2: Port 2, 4, 5, and 7)

FEDH, FECH

Bit	7	6	5	4	3	2	1	0
Identifier	PM7	"0"	PM5	PM4	"0"	PM2	"0"	"0"
RESET Value	0	0	0	0	0	0	0	0
Read/Write	W	W	W	W	W	W	W	W
Bit Addressing	8	8	8	8	8	8	8	8

PM7 P7 I/O Mode Selection Flag

0	Set P7 to input mode
1	Set P7 to output mode

.6 Bit 6

0	Always logic zero
---	-------------------

PM5 P5 I/O Mode Selection Flag

0	Set P5 to input mode
1	Set P5 to output mode

PM4 P4 I/O Mode Selection Flag

0	Set P4 to input mode
1	Set P4 to output mode

.3 Bit 3

0	Always logic zero
---	-------------------

PM2 P2 I/O Mode Selection Flag

0	Set P2 to input mode
1	Set P2 to output mode

.1–0 Bits 1–0

0	Always logic zero
---	-------------------

PNE — N-Channel Open-Drain Mode Register

FD7H, FD6H

Bit	7	6	5	4	3	2	1	0
Identifier	PNE5.3	PNE5.2	PNE5.1	PNE5.0	PNE4.3	PNE4.2	PNE4.1	PNE4.0
RESET Value	0	0	0	0	0	0	0	0
Read/Write	W	W	W	W	W	W	W	W
Bit Addressing	8	8	8	8	8	8	8	8

PNE5.3 P5.3 N-Channel Open-Drain Configurable Bit

0	Configure P5.3 as a push-pull
1	Configure P5.3 as a n-channel open-drain

PNE5.2 P5.2 N-Channel Open-Drain Configurable Bit

0	Configure P5.2 as a push-pull
1	Configure P5.2 as a n-channel open-drain

PNE5.1 P5.1 N-Channel Open-Drain Configurable Bit

0	Configure P5.1 as a push-pull
1	Configure P5.1 as a n-channel open-drain

PNE5.0 P5.0 N-Channel Open-Drain Configurable Bit

0	Configure P5.0 as a push-pull
1	Configure P5.0 as a n-channel open-drain

PNE4.3 P4.3 N-Channel Open-Drain Configurable Bit

0	Configure P4.3 as a push-pull
1	Configure P4.3 as a n-channel open-drain

PNE4.2 P4.2 N-Channel Open-Drain Configurable Bit

0	Configure P4.2 as a push-pull
1	Configure P4.2 as a n-channel open-drain

PNE4.1 P4.1 N-Channel Open-Drain Configurable Bit

0	Configure P4.1 as a push-pull
1	Configure P4.1 as a n-channel open-drain

PNE4.0 P4.0 N-Channel Open-Drain Configurable Bit

0	Configure P4.0 as a push-pull
1	Configure P4.0 as a n-channel open-drain

PSW — Program Status Word**FB1H, FB0H**

Bit	7	6	5	4	3	2	1	0
Identifier	C	SC2	SC1	SC0	IS1	IS0	EMB	ERB
RESET Value	(1)	0	0	0	0	0	0	0
Read/Write	R/W	R	R	R	R/W	R/W	R/W	R/W
Bit Addressing	(2)	8	8	8	1/4/8	1/4/8	1/4/8	1/4/8

C Carry Flag

0	No overflow or borrow condition exists
1	An overflow or borrow condition does exist

SC2–SC0 Skip Condition Flags

0	No skip condition exists; no direct manipulation of these bits is allowed
1	A skip condition exists; no direct manipulation of these bits is allowed

IS1, IS0 Interrupt Status Flags

0	0	Service all interrupt requests
0	1	Service only the high-priority interrupt(s) as determined in the interrupt priority register (IPR)
1	0	Do not service any more interrupt requests
1	1	Undefined

EMB Enable Data Memory Bank Flag

0	Restrict program access to data memory to bank 15 (F80H–FFFH) and to the locations 000H–07FH in the bank 0 only
1	Enable full access to data memory banks 0, 1, 2, and 15

ERB Enable Register Bank Flag

0	Select register bank 0 as working register area
1	Select register banks 0, 1, 2, or 3 as working register area in accordance with the select register bank (SRB) instruction operand

NOTES:

1. The value of the carry flag after a RESET occurs during normal operation is undefined. If a RESET occurs during power-down mode (IDLE or STOP), the current value of the carry flag is retained.
2. The carry flag can only be addressed by a specific set of 1-bit manipulation instructions. See Section 2 for detailed information.

PUMOD — Pull-Up Resistor Mode Register**FDDH, FDCH**

Bit	7	6	5	4	3	2	1	0
Identifier	PUR7	PUR6	PUR5	PUR4	PUR3	PUR2	PUR1	PUR0
RESET Value	0	0	0	0	0	0	0	0
Read/Write	W	W	W	W	W	W	W	W
Bit Addressing	8	8	8	8	8	8	8	8

PUR7 Connect/Disconnect Port 7 Pull-Up Resistor Control Bit

0	Disconnect port 7 pull-up resistor
1	Connect port 7 pull-up resistor

PUR6 Connect/Disconnect Port 6 Pull-Up Resistor Control Bit

0	Disconnect port 6 pull-up resistor
1	Connect port 6 pull-up resistor

PUR5 Connect/Disconnect Port 5 Pull-Up Resistor Control Bit

0	Disconnect port 5 pull-up resistor
1	Connect port 5 pull-up resistor

PUR4 Connect/Disconnect Port 4 Pull-Up Resistor Control Bit

0	Disconnect port 4 pull-up resistor
1	Connect port 4 pull-up resistor

PUR3 Connect/Disconnect Port 3 Pull-Up Resistor Control Bit

0	Disconnect port 3 pull-up resistor
1	Connect port 3 pull-up resistor

PUR2 Connect/Disconnect Port 2 Pull-Up Resistor Control Bit

0	Disconnect port 2 pull-up resistor
1	Connect port 2 pull-up resistor

PUR1 Connect/Disconnect Port 1 Pull-Up Resistor Control Bit

0	Disconnect port 1 pull-up resistor
1	Connect port 1 pull-up resistor

PUR0 Connect/Disconnect Port 0 Pull-Up Resistor Control Bit

0	Disconnect port 0 pull-up resistor
1	Connect port 0 pull-up resistor

NOTE: Pull-up resistors for all I/O ports are automatically disabled when they are configured to output mode.

SCMOD — System Clock Mode Control Register

FB7H

Bit	3	2	1	0
Identifier	.3	.2	"0"	.0
RESET Value	0	0	0	0
Read/Write	W	W	W	W
Bit Addressing	1	1	1	1

SCMOD.3**Bit 3**

0	Enable main system clock
1	Disable main system clock

SCMOD.2**Bit 2**

0	Enable sub system clock
1	Disable sub system clock

SCMOD.1**Bit 1**

0	Always logic zero
---	-------------------

SCMOD.0**Bit 0**

0	Select main system clock
1	Select sub system clock

NOTES:

- Sub-oscillation goes into stop mode only by SCMOD.2 PCON which revokes stop mode cannot stop the sub-oscillation.
- You can use SCMOD.2 as follows (ex: after data bank was used, a few minutes have passed):
Main operation → Sub-operation → Sub-idle(LCD on, after a few minutes later without any external input) → Sub-operation → Main operation → SCMOD.2 = 1 → main stop mode (LCD off).
- SCMOD bit 3 and 0 cannot be modified simultaneously by a 4-bit instruction; They can only be modified by separated 1-bit instructions.

SMOD — Serial I/O Mode Register

FE1H, FE0H

Bit	7	6	5	4	3	2	1	0
Identifier	.7	.6	.5	"0"	.3	.2	.1	.0
RESET Value	0	0	0	0	0	0	0	0
Read/Write	W	W	W	W	R/W	W	W	W
Bit Addressing	8	8	8	8	1/8	8	8	8

.7–.5

Serial I/O Clock Selection and SBUF R/W Status Control Bits

0	0	0	Use an external clock at the SCK pin; Enable SBUF when SIO operation is halted or when SCK goes high
0	0	1	Use the TOL0 clock from timer/counter 0; Enable SBUF when SIO operation is halted or when SCK goes high
0	1	x	Use the selected CPU clock (fxx/4, 8, or 64; "fxx" is the system clock); Enable SBUF read/write operation. "x" means "don't care."
1	0	0	4.09 kHz clock (fxx/2 ¹⁰)
1	1	1	262 kHz clock (fxx/2 ⁴); Note: You cannot select a fxx/2 ⁴ clock frequency if you have selected a CPU clock of fxx/64

NOTE: All kHz frequency ratings assume a system clock of 4.19MH

.4

Bit 4

0	Always logic zero
---	-------------------

.3

Initiate Serial I/O Operation Bit

1	Clear IRQS flag and 3-bit clock counter to logic zero; then initiate serial transmission. When SIO transmission starts, this bit is cleared by hardware to logic zero
---	---

.2

Enable/Disable SIO Data Shifter and Clock Counter Bit

0	Disable the data shifter and clock counter; the contents of IRQS flag is retained when serial transmission is completed
1	Enable the data shifter and clock counter; The IRQS flag is set to logic one when serial transmission is completed

.1

Serial I/O Transmission Mode Selection Bit

0	Receive-only mode; output buffer is off
1	Transmit-and-receive mode; output buffer is on

.0

LSB/MSB Transmission Mode Selection Bit

0	Transmit the most significant bit (MSB) first
1	Transmit the least significant bit (LSB) first

TMOD0 — Timer/Counter 0 Mode Register

F91H, F90H

Bit	7	6	5	4	3	2	1	0
Identifier	"0"	.6	.5	.4	.3	.2	"0"	"0"
RESET Value	0	0	0	0	0	0	0	0
Read/Write	W	W	W	W	W	W	W	W
Bit Addressing	8	8	8	8	1/8	8	8	8

.7

Bit 7

0	Always logic zero
---	-------------------

.6–4

Timer/Counter 0 Input Clock Selection Bits

0	0	0	External clock input at TCL0 pin on rising edge
0	0	1	External clock input at TCL0 pin on falling edge
1	0	0	$f_{xx}/2^{10}$ (4.09 kHz)
1	0	1	$f_{xx}/2^8$ (16.4 kHz)
1	1	0	$f_{xx}/2^6$ (65.5 kHz)
1	1	1	$f_{xx}/2^4$ (262 kHz)

NOTE: "fxx" = Selected system clock of 4.19 MHz

.3

Clear Counter and Resume Counting Control Bit

1	Clear TCNT0, IRQT0, and TOL0 and resume counting immediately (This bit is cleared automatically when counting starts.)
---	--

.2

Enable/Disable Timer/Counter 0 Bit

0	Disable timer/counter 0; retain TCNT0 contents
1	Enable timer/counter 0

.1–0

Bit 1–0

0	Always logic zero
---	-------------------

TOE — Timer Output Enable Flag Register

F92H

Bit	3	2	1	0
Identifier	"U"	TOE0	"U"	"U"
RESET Value	0	0	0	0
Read/Write	–	R/W	–	–
Bit Addressing	–	1	–	–

.3

Bit3

U	Unknown
---	---------

TOE0

Timer/Counter 0 Output Enable Flag

0	Disable timer/counter 0 output at the TCLO0 pin
1	Enable timer/counter 0 output at the TCLO0 pin

.1–0

Bits 1–0

U	Unknown
---	---------

WDFLAG — Watchdog Timer Counter Clear Flag Register

F9AH

Bit	3	2	1	0
Identifier	WDTCF	"0"	"0"	"0"
RESET Value	0	0	0	0
Read/Write	W	W	W	W
Bit Addressing	1/4	1/4	1/4	1/4

WDTCF**Watchdog Timer Counter Clear Flag**

1	Clears the watchdog timer counter
---	-----------------------------------

.2–0**Bits 2–0**

0	Always logic zero
---	-------------------

NOTE: After watchdog timer is cleared by writing "1", this bit is cleared to "0" automatically.

WDMOD — Watchdog Timer Mode Register**F99H, F98H**

Bit	7	6	5	4	3	2	1	0
Identifier	.7	.6	.5	.4	.3	.2	.1	.0
RESET Value	1	0	1	0	0	1	0	1
Read/Write	W	W	W	W	W	W	W	W
Bit Addressing	8	8	8	8	8	8	8	8

WDMOD**Watchdog Timer Enable/Disable Control**

5AH	Disable watchdog timer function
Others	Enable watchdog timer function

WMOD — Watch Timer Mode Register**F89H, F88H**

Bit	7	6	5	4	3	2	1	0
Identifier	.7	"0"	.5	.4	.3	.2	.1	.0
RESET Value	0	0	0	0	(note)	0	0	0
Read/Write	W	W	W	W	R	W	W	W
Bit Addressing	8	8	8	8	1	8	8	8

.7 Enable/Disable Buzzer Output Bit

0	Disable buzzer (BUZ) signal output
1	Enable buzzer (BUZ) signal output

.6 Bit 6

0	Always logic zero
---	-------------------

.5–.4 Output Buzzer Frequency Selection Bits

0	0	2 kHz buzzer (BUZ) signal output
0	1	4 kHz buzzer (BUZ) signal output
1	0	8 kHz buzzer (BUZ) signal output
1	1	16 kHz buzzer (BUZ) signal output

.3 XT_{IN} Input Level Control Bit

0	Input level to XT _{IN} pin is low; 1-bit read-only addressable for test
1	Input level to XT _{IN} pin is high; 1-bit read-only addressable for test

.2 Enable/Disable Watch Timer Bit

0	Disable watch timer and clear frequency dividing circuits
1	Enable watch timer

.1 Watch Timer Speed Control Bit

0	Normal speed; set IRQW to 0.5 seconds
1	High-speed operation; set IRQW to 3.91 ms

.0 Watch Timer Clock Selection Bit

0	Select the system clock (f _{xx} /128) as the watch timer clock
1	Select a subsystem clock as the watch timer clock

NOTE: RESET sets WMOD.3 to the current input level of the subsystem clock, XT_{IN}. If the input level is high, WMOD.3 is set to logic one; if low, WMOD.3 is cleared to zero along with all the other bits in the WMOD register.

6 OSCILLATOR CIRCUITS

OVERVIEW

The S3C72N8/C72N5 microcontroller has two oscillator circuits: a main system clock circuit, and a subsystem clock circuit. The CPU and peripheral hardware operate on the system clock frequency supplied through these circuits. Specifically, a clock pulse is required by the following peripheral modules:

- LCD controller
- Basic timer
- Timer/counter 0
- Watch timer
- Clock output circuit
- Serial I/O interface

CPU Clock Notation

In this document, the following notation is used for descriptions of the CPU clock:

- fx Main system clock
- fxT Subsystem clock
- fxX Selected system clock

Clock Control Registers

When the system clock mode control register, SCMOD, and the power control register, PCON, are both cleared to zero after RESET, the normal CPU operating mode is enabled, a main system clock of $fx/64$ is selected, and main system clock oscillation is initiated.

PCON is used to select normal CPU operating mode or one of two power-down modes — stop or idle. Bits 3 and 2 of the PCON register can be manipulated by a STOP or IDLE instruction to engage stop or idle power-down mode.

The system clock mode control register, SCMOD, lets you select the *main system clock (fx)* or a *subsystem clock (fxt)* as the CPU clock and to start (or stop) main or sub system clock oscillation. The resulting clock source, either main system clock or subsystem clock, is referred to as the *CPU clock*.

The main system clock is selected and oscillation started when all SCMOD bits are cleared to logic zero. By setting SCMOD.3, SCMOD.2 and SCMOD.0 to different values, CPU can operate in a subsystem clock source and start or stop main or sub system clock oscillation. To stop main system clock oscillation, you must use the STOP instruction (assuming the main system clock is selected) or manipulate SCMOD.3 to “1” (assuming the sub system clock is selected).

The main system clock frequencies can be divided by 4, 8, or 64 and a subsystem clock frequencies can only be divided by 4. By manipulating PCON bits 1 and 0, you select one of the following frequencies as CPU clock.

$fx/4$, $fxt/4$, $fx/8$, $fx/64$

Using a Subsystem Clock

If a subsystem clock is being used as the selected system clock, the idle power-down mode can be initiated by executing an IDLE instruction. The subsystem clock can be stopped by setting SCMOD.2 to “1”.

The watch timer, buzzer and LCD display operate normally with a subsystem clock source, since they operate at very slow speeds (122 μ s at 32.768 kHz) and with very low power consumption.

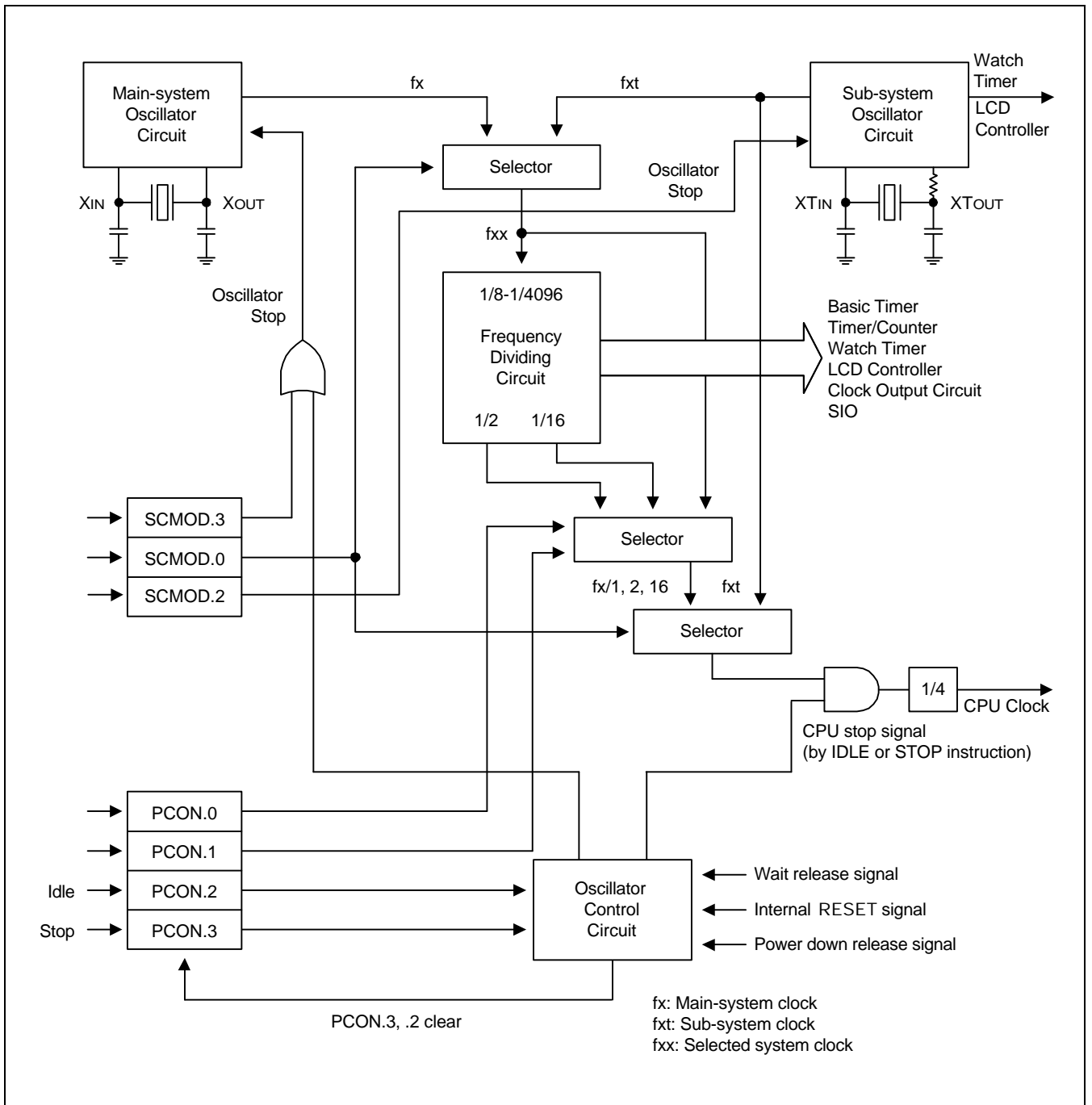


Figure 6-1. Clock Circuit Diagram

MAIN SYSTEM OSCILLATOR CIRCUITS

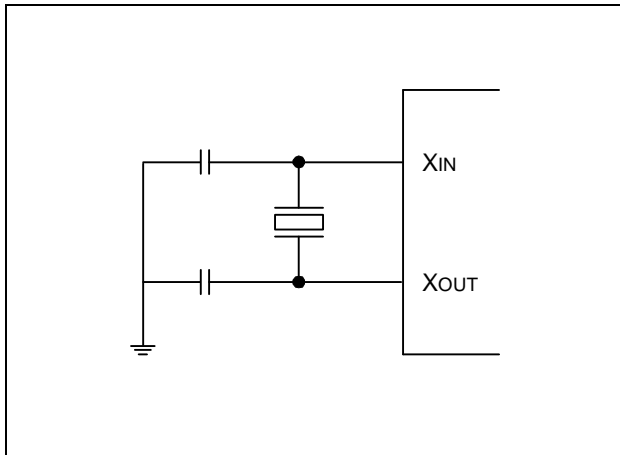


Figure 6-2. Crystal/Ceramic Oscillator

SUBSYSTEM OSCILLATOR CIRCUITS

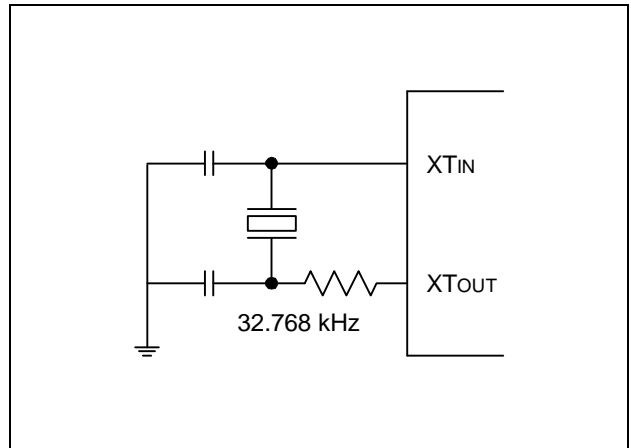


Figure 6-5. Crystal/Ceramic Oscillator

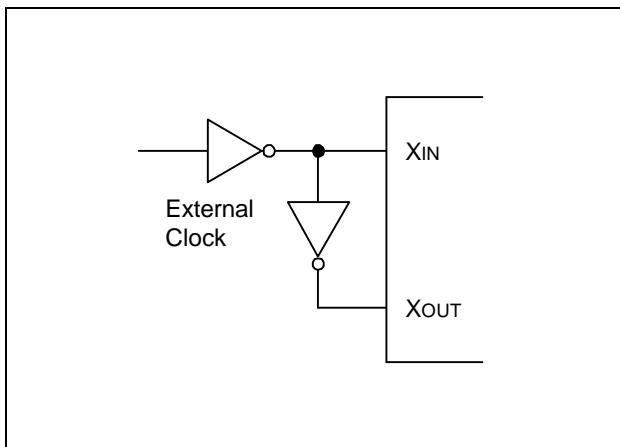


Figure 6-3. External Oscillator

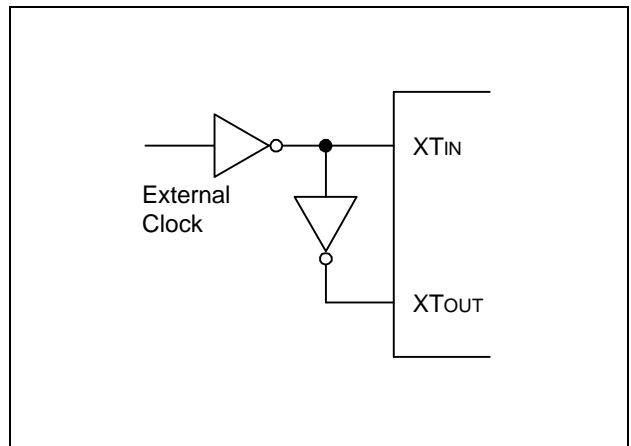


Figure 6-6. External Oscillator

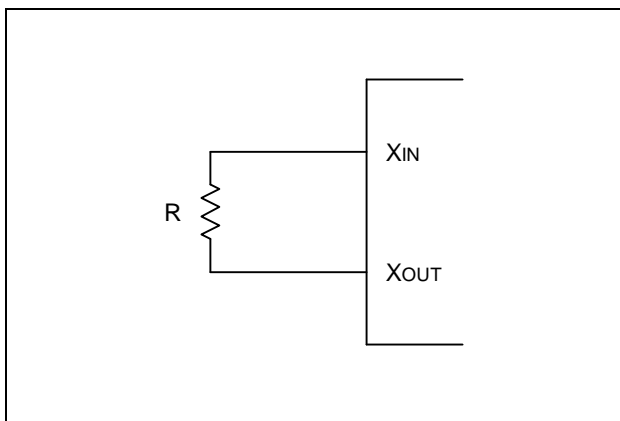


Figure 6-4. RC Oscillator

POWER CONTROL REGISTER (PCON)

The power control register (PCON) is a 4-bit register that is used to select the CPU clock frequency and to control CPU operating and power-down modes. The PCON can be addressed directly by 4-bit write instructions or indirectly by the instructions IDLE and STOP.



PCON.3 and PCON.2 can be addressed only by the STOP and IDLE instructions, respectively, to engage the idle and stop power-down modes. Idle and stop modes can be initiated by these instruction despite the current value of the enable memory bank flag (EMB). PCON bits 1 and 0 can be written only by 4-bit RAM control instruction. PCON is a write-only register. There are three basic choices:

- Main system clock (fx) or subsystem clock (fxt);
- Divided fx clock frequency of 4, 8, or 64
- Divided fxt clock frequency of 4.

PCON.1 and PCON.0 settings are also connected with the system clock mode control register, SCMOD. If SCMOD.0 = "0", the main system clock is always selected by the PCON.1 and PCON.0 setting; if SCMOD.0 = "1" the subsystem clock is selected.

RESET clears PCON register values (and SCMOD) to logic zero.

Table 6-1. Power Control Register (PCON) Organization

PCON Bit Settings		Resulting CPU Clock Frequency	
PCON.1	PCON.0	SCMOD.0 = 0	SCMOD.0 = 1
0	0	fx/64	fxt/4
1	0	fx/8	
1	1	fx/4	

PCON Bit Settings		Resulting CPU Operating Mode
PCON.3	PCON.2	
0	0	Normal CPU operating mode
0	1	IDLE
1	0	STOP mode

 **PROGRAMMING TIP — Setting the CPU Clock**

To set the CPU clock to 0.95 μ s at 4.19 MHz:

```

BITS      EMB
SMB      15
LD       A,#3H
LD       PCON,A

```

INSTRUCTION CYCLE TIMES

The unit of time that equals one machine cycle varies depending on whether the main system clock (fx) or a subsystem clock (fxt) is used, and on how the oscillator clock signal is divided (by 4, 8, or 64). Table 6-2 shows corresponding cycle times in microseconds.

Table 6-2. Instruction Cycle Times for CPU Clock Rates

Oscillation Source	Selected CPU Clock	Resulting Frequency	Cycle Time (μ s)
fx = 4.19 MHz	fx/64	65.5 kHz	15.3
	fx/8	524.0 kHz	1.91
	fx/4	1.05 MHz	0.95
fxt = 32.768 kHz	fxt/4	8.19 kHz	122.0

SYSTEM CLOCK MODE REGISTER (SCMOD)

The system clock mode register, SCMOD, is a 4-bit register that is used to select the CPU clock and to control main and sub-system clock oscillation. SCMOD is mapped to the RAM address FB7H.

When main system clock is used as clock source, main system clock oscillation can be stopped by STOP instruction or setting SCMOD.3 (not recommended).

When the clock source is subsystem clock, main system clock oscillation is stopped by setting SCMOD.3. SCMOD.0, SCMOD.2, and SCMOD.3 cannot be simultaneously modified. Sub-oscillation goes into stop mode only by SCMOD.2. PCON which revokes stop mode cannot stop the sub-oscillation. The stop of sub-oscillation is released only by reset.

RESET clears all SCMOD values to logic zero, selecting the main system clock (fx) as the CPU clock and starting clock oscillation. The reset value of the SCMOD is 0.

SCMOD.3, SCMOD.2, and SCMOD.0 bits can be manipulated by 1-bit write instructions (In other words, SCMOD.0, SCMOD.2, and SCMOD.3 cannot be modified simultaneously by a 4-bit write). Bit 1 is always logic zero.

FB7H	SCMOD.3	SCMOD.2	"0"	SCMOD.0	SCMOD
------	---------	---------	-----	---------	-------

A subsystem clock (fxt) can be selected as the system clock by manipulating the SCMOD.3 and SCMOD.0 bit settings. If SCMOD.3 = "0" and SCMOD.0 = "1", the subsystem clock is selected and main system clock oscillation continues. If SCMOD.3 = "1" and SCMOD.0 = "1", fxt is selected, but main system clock oscillation stops.

If you have selected fx as the CPU clock, setting SCMOD.3 to "1" will stop main system clock oscillation. But this mode must not be used. To stop main system clock oscillation safely, main oscillation clock should be stopped only by a STOP instruction in main system clock mode.

Table 6-3. System Clock Mode Register (SCMOD) Organization

SCMOD Register Bit Settings			Resulting Clock Selection		
SCMOD.3	SCMOD.2	SCMOD.0	fx Oscillation	fxt Oscillation	CPU Clock ^(note)
0	0	0	On	On	fx
0	1	0	On	Off	fx
0	0	1	On	On	fxt
1	0	1	Off	On	fxt

NOTE: CPU clock is selected by PCON register settings.

Table 6-4. Main/Sub Oscillation Stop Mode

Mode	Condition	Method to issue Osc Stop	Osc Stop Release Source ⁽²⁾
Main Oscillation STOP Mode	Main oscillator runs. Sub oscillator runs (stops). System clock is the main oscillation clock.	STOP instruction: Main oscillator stops. CPU is in idle mode. Sub oscillator still runs (stops).	Interrupt and reset: After releasing stop mode, main oscillation starts and oscillation stabilization time is elapsed. And then the CPU operates. Oscillation stabilization time is $1 / \{256 \times \text{BT clock (fx)}\}$.
		Set SCMOD.3 to "1" ⁽¹⁾ Main oscillator stops, halting the CPU operation. Sub oscillator still runs (stops).	Reset: Interrupt can't start the main oscillation. Therefore, the CPU operation can never be restarted.
	Main oscillator runs. Sub oscillator runs. System clock is the sub oscillation clock.	STOP instruction: ⁽¹⁾ Main oscillator stops. CPU is in idle mode. Sub oscillator still runs.	BToverflow and reset: After the overflow of basic timer [$1 / \{256 \times \text{BT clock (fxt)}\}$], CPU operation and main oscillation automatically start.
		Set SCMOD.3 to "1" Main oscillator stops. CPU still operates. Sub oscillator still runs.	Set SCMOD.3 to "0" or reset
Sub oscillation STOP Mode	Main oscillator runs. Sub oscillator runs. System clock is the main oscillation clock.	Set SCMOD.2 to "1" Main oscillator still runs. CPU operates. Sub oscillator stops.	Set SCMOD.2 to "0" or reset
	Main oscillator runs (stops). Sub oscillator runs. System clock is the sub oscillation clock.	Set SCMOD.2 to "1" Main oscillator still runs (stops). Sub oscillator stops, halting the CPU operation.	Reset

NOTES:

1. This mode must not be used.
2. Oscillation stabilization time by interrupt is $1 / (256 \times \text{BT clocks})$. Oscillation stabilization time by a reset is 31.3 ms at 4.19 MHz, main oscillation clock.

Table 6-5. System Operating Mode Comparison

Mode	Condition	STOP/IDLE Mode Start Method	Current Consumption
Main operating mode	Main oscillator runs. Sub oscillator runs (stops). System clock is the main oscillation clock.	–	A
Main Idle mode	Main oscillator runs. Sub oscillator runs (stops). System clock is the main oscillation clock.	IDLE instruction	B
Main Stop mode	Main oscillator runs. Sub oscillator runs. System clock is the main oscillation clock.	STOP instruction	D
Sub operating mode	Main oscillator is stopped by SCMOD.3. Sub oscillator runs. System clock is the sub oscillation clock.	–	C
Sub Idle Mode	Main oscillator is stopped by SCMOD.3. Sub oscillator runs. System clock is the sub oscillation clock.	IDLE instruction	D
Sub Stop mode	Main oscillator is stopped by SCMOD.3. Sub oscillator runs. System clock is the sub oscillation clock.	Setting SCMOD.2 to "1" This mode can be released only by an external reset.	E
Main/Sub Stop mode	Main oscillator runs. Sub oscillator is stopped by SCMOD.2. System clock is the main oscillation clock.	STOP instruction: This mode can be released by an interrupt and reset.	E

NOTE: The current consumption is: A > B > C > D > E.

SWITCHING THE CPU CLOCK

Together, bit settings in the power control register, PCON, and the system clock mode register, SCMOD, determine whether a main system or a subsystem clock is selected as the CPU clock, and also how this frequency is to be divided. This makes it possible to switch dynamically between main and subsystem clocks and to modify operating frequencies.

SCMOD.3, SCMOD.2, and SCMOD.0 select the main system clock (fx) or a subsystem clock (fxt) and start or stop main or sub system clock oscillation. PCON.1 and PCON.0 control the frequency divider circuit, and divide the selected fx clock by 4, 8, 64, or fxt clock by 4.

NOTE

A clock switch operation does not go into effect immediately when you make the SCMOD and PCON register modifications — the previously selected clock continues to run for a certain number of machine cycles.

For example, you are using the default CPU clock (normal operating mode and a main system clock of fx/64) and you want to switch from the fx clock to a subsystem clock and to stop the main system clock. To do this, you first need to set SCMOD.0 to "1". This switches the clock from fx to fxt but allows main system clock oscillation to continue. Before the switch actually goes into effect, a certain number of machine cycles must elapse. After this time interval, you can then disable main system clock oscillation by setting SCMOD.3 to "1".

This same "stepped" approach must be taken to switch from a subsystem clock to the main system clock: first, clear SCMOD.3 to "0" to enable main system clock oscillation. Until main osc is stabilized, system clock must not be changed. Then, after a certain number of machine cycles has elapsed, select the main system clock by clearing all SCMOD values to logic zero.

After RESET, CPU operation starts with the lowest main system clock frequency of 15.3 μ s at 4.19 MHz after the standard oscillation stabilization interval of 31.3 ms has elapsed. Table 6-6 details the number of machine cycles that must elapse before a CPU clock switch modification goes into effect.

Table 6-6. Elapsed Machine Cycles During CPU Clock Switch

BEFORE		AFTER		SCMOD.0 = 0				SCMOD.0 = 1
		PCON.1 = 0	PCON.0 = 0	PCON.1 = 1	PCON.0 = 0	PCON.1 = 1	PCON.0 = 1	
SCMOD.0 = 0	PCON.1 = 0	N/A		1 MACHINE CYCLE		1 MACHINE CYCLE		
	PCON.0 = 0							
	PCON.1 = 1	8 MACHINE CYCLES		N/A		8 MACHINE CYCLES		N/A
	PCON.0 = 0							
	PCON.1 = 1	16 MACHINE CYCLES		16 MACHINE CYCLES		N/A		fx/4fxt MACHINE CYCLE
	PCON.0 = 1							
SCMOD.0 = 1		N/A		N/A		fx/4fxt (M/C)		N/A

NOTES:

- Even if oscillation is stopped by setting SCMOD.3 during main system clock operation, the stop mode is not entered.
- Since the X_{IN} input is connected internally to V_{SS} to avoid current leakage due to the crystal oscillator in stop mode, do not set SCMOD.3 to "1" or STOP instruction when an external clock is used as the main system clock.
- When the system clock is switched to the subsystem clock, it is necessary to disable any interrupts which may occur during the time intervals shown in Table 6-6.
- "N/A" means "not available".
- fx: Main-system clock, fxt: Sub-system clock, M/C: Machine Cycle.
When fx is 4.19 MHz, and fxt is 32.768 kHz.

PROGRAMMING TIP — Switching Between Main System and Subsystem Clock

- Switch from the main system clock to the subsystem clock:

```

MA2SUB  BITS      SCMOD.0      ; Switches to subsystem clock
        CALL      DLY80        ; Delay 80 machine cycles
        BITS      SCMOD.3      ; Stop the main system clock
        RET
DLY80   LD         A,#0FH
DEL1    NOP
        NOP
        DECS      A
        JR         DEL1
        RET

```

- Switch from the subsystem clock to the main system clock:

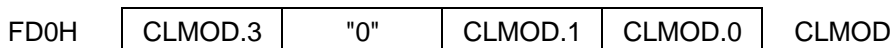
```

SUB2MA  BITR      SCMOD.3      ; Start main system clock oscillation
        CALL      DLY80        ; Delay 80 machine cycles
        CALL      DLY80        ; Delay 80 machine cycles
        BITR      SCMOD.0      ; Switch to main system clock
        RET

```

CLOCK OUTPUT MODE REGISTER (CLMOD)

The clock output mode register, CLMOD, is a 4-bit register that is used to enable or disable clock output to the CLO pin and to select the CPU clock source and frequency. CLMOD is addressable by 4-bit write instructions only.



RESET clears CLMOD to logic zero, which automatically selects the CPU clock as the clock source (without initiating clock oscillation), and disables clock output.

CLMOD.3 is the enable/disable clock output control bit; CLMOD.1 and CLMOD.0 are used to select one of four possible clock sources and frequencies: normal CPU clock, fxx/8, fxx/16, or fxx/64.

Table 6-7. Clock Output Mode Register (CLMOD) Organization

CLMOD Bit Settings		Resulting Clock Output	
CLMOD.1	CLMOD.0	Clock Source	Frequency
0	0	CPU clock (fx/4, fx/8, fx/64, fxt/4)	1.05 MHz, 524 kHz, 65.5 kHz
0	1	fxx/8	524 kHz
1	0	fxx/16	262 kHz
1	1	fxx/64	65.5 kHz

CLMOD.3	Result of CLMOD.3 Setting
0	Clock output is disabled
1	Clock output is enabled

NOTE: Assumes that fxx = 4.19 MHz.

CLOCK OUTPUT CIRCUIT

The clock output circuit, used to output clock pulses to the CLO pin, has the following components:

- 4-bit clock output mode register (CLMOD)
- Clock selector
- Port mode flag
- CLO output pin (P2.2)

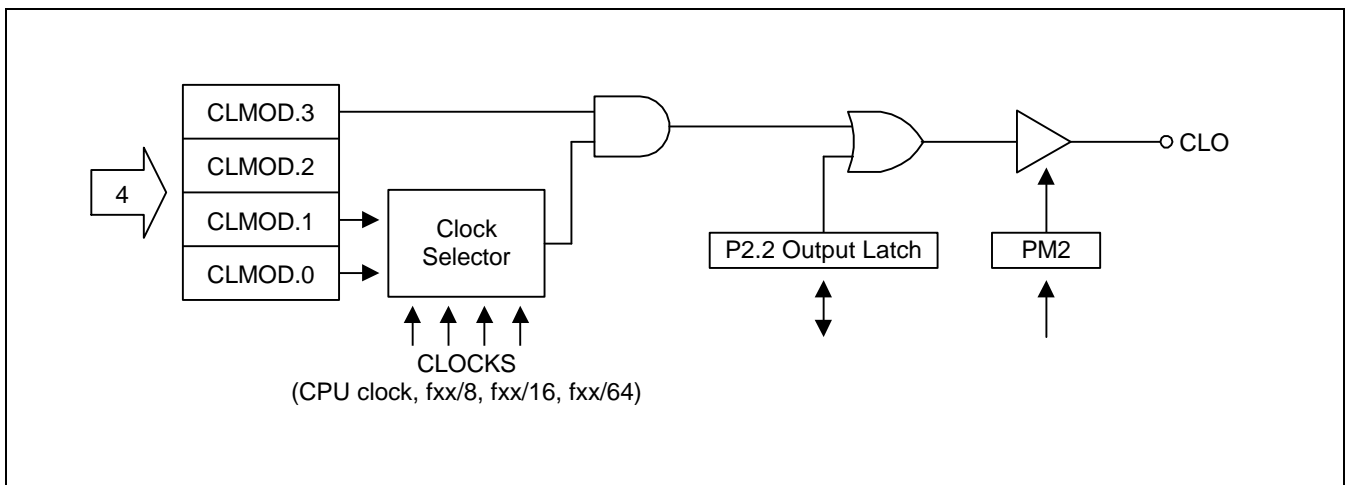


Figure 6-7. CLO Output Pin Circuit Diagram

CLOCK OUTPUT PROCEDURE

The procedure for outputting clock pulses to the CLO pin may be summarized as follows:

1. Disable clock output by clearing CLMOD.3 to logic zero.
2. Set the clock output frequency (CLMOD.1, CLMOD.0).
3. Load "0" to the output latch of the CLO pin (P2.2).
4. Set the P2.2 mode flag (PM2) to output mode.
5. Enable clock output by setting CLMOD.3 to logic one.

 **PROGRAMMING TIP — CPU Clock Output to the CLO Pin**

To output the CPU clock to the CLO pin:

BITS	EMB	
SMB	15	
LD	EA,#04H	
LD	PMG2,EA	; P2 ← Output mode
BITR	P2.2	; Clear P2.2 pin output latch
LD	A,#9H	
LD	CLMOD,A	

7 INTERRUPTS

OVERVIEW

The S3C72N8/C72N5 interrupt control circuit has five functional components:

- Interrupt enable flags (IEx)
- Interrupt request flags (IRQx)
- Interrupt master enable register (IME)
- Interrupt priority register (IPR)
- Power-down release signal circuit

Three kinds of interrupts are supported:

- Internal interrupts generated by on-chip processes
- External interrupts generated by external peripheral devices
- Quasi-interrupts used for edge detection and as clock sources

Table 7-1. Interrupt Types and Corresponding Port Pin (s)

Interrupt Type	Interrupt Name	Corresponding Port Pins
External interrupts	INT0, INT1, INT4	P1.0, P1.1, P0.0
Internal interrupts	INTB, INTT0, INTS	Not applicable
Quasi-interrupts	INT2, KS0–KS7	P1.2, P6.0–P7.3
	INTW	Not applicable

Vectored Interrupts

Interrupt requests may be processed as vectored interrupts in hardware, or they can be generated by program software. A vectored interrupt is generated when the following flags and register settings, corresponding to the specific interrupt (INTn) are set to logic one:

- Interrupt enable flag (IEx)
- Interrupt master enable flag (IME)
- Interrupt request flag (IRQx)
- Interrupt status flags (IS0, IS1)
- Interrupt priority register (IPR)

If all conditions are satisfied for the execution of a requested service routine, the start address of the interrupt is loaded into the program counter and the program starts executing the service routine from this address.

EMB and ERB flags for RAM memory banks and registers are stored in the vector address area of the ROM during interrupt service routines. The flags are stored at the beginning of the program with the VENT instruction. The initial flag values determine the vectors for resets and interrupts. Enable flag values are saved during the main routine, as well as during service routines. Any changes that are made to enable flag values during a service routine are not stored in the vector address.

When an interrupt occurs, the EMB and ERB flag values before the interrupt is initiated are saved along with the program status word (PSW), and the enable flag values for the interrupt is fetched from the respective vector address. Then, if necessary, you can modify the enable flags during the interrupt service routine. When the interrupt service routine is returned to the main routine by the IRET instruction, the original values saved in the stack are restored and the main program continues program execution with these values.

Software-Generated Interrupts

To generate an interrupt request from software, the program manipulates the appropriate IRQx flag. When the interrupt request flag value is set, it is retained until all other conditions for the vectored interrupt have been met, and the service routine can be initiated.

Multiple Interrupts

By manipulating the two interrupt status flags (IS0 and IS1), you can control service routine initialization and thereby process multiple interrupts simultaneously.

If more than four interrupts are being processed at one time, you can avoid possible loss of working register data by using the PUSH RR instruction to save register contents to the stack before the service routines are executed in the same register bank. When the routines have executed successfully, you can restore the register contents from the stack to working memory using the POP instruction.

Power-Down Mode Release

An interrupt (with the exception of INT0) can be used to release power-down mode (stop or idle). Interrupts for power-down mode release are initiated by setting the corresponding interrupt enable flag. Even if the IME flag is cleared to zero, power-down mode will be released by an interrupt request signal when the interrupt enable flag has been set. In such cases, the interrupt routine will not be executed since IME = "0".

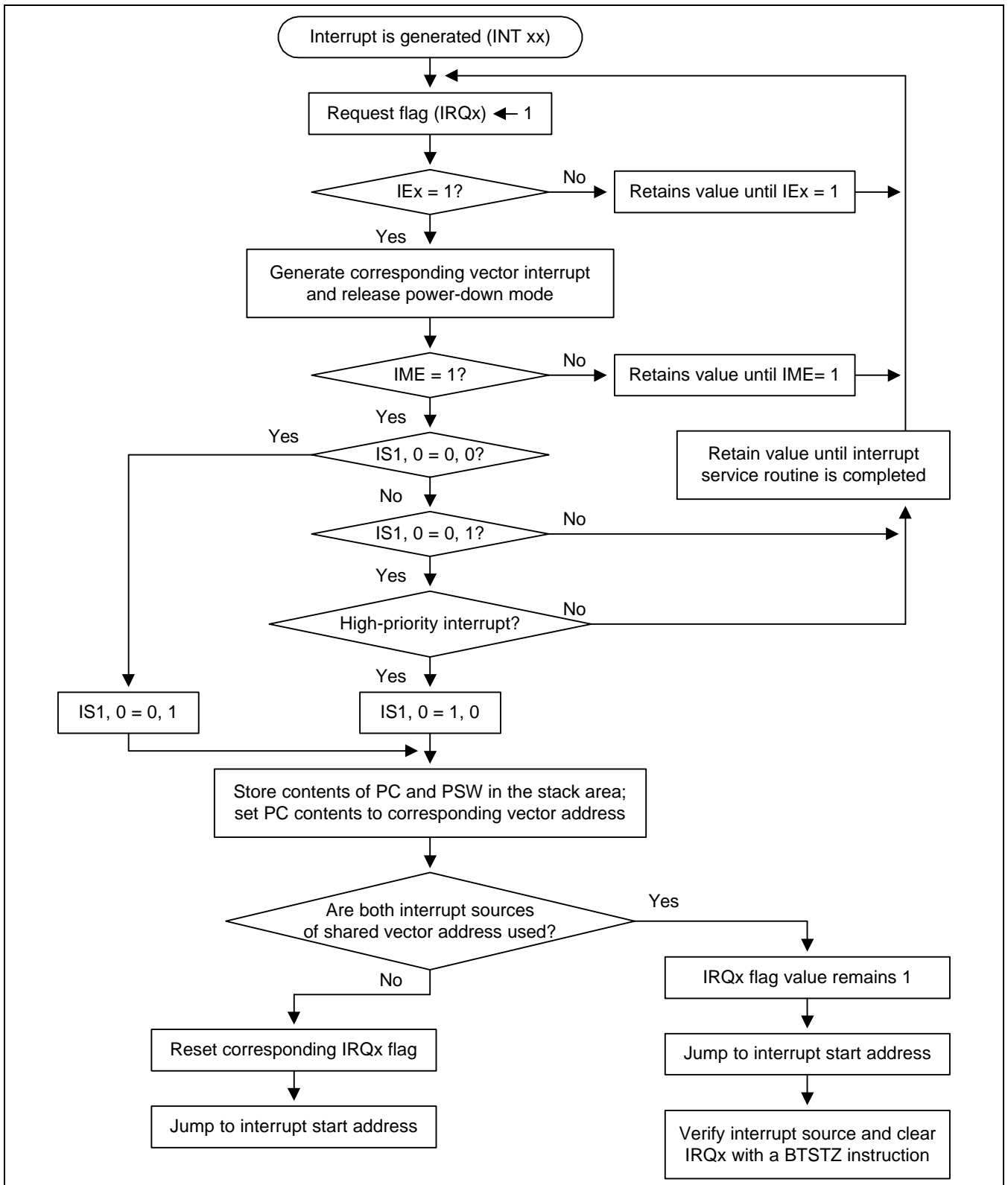


Figure 7-1. Interrupt Execution Flowchart

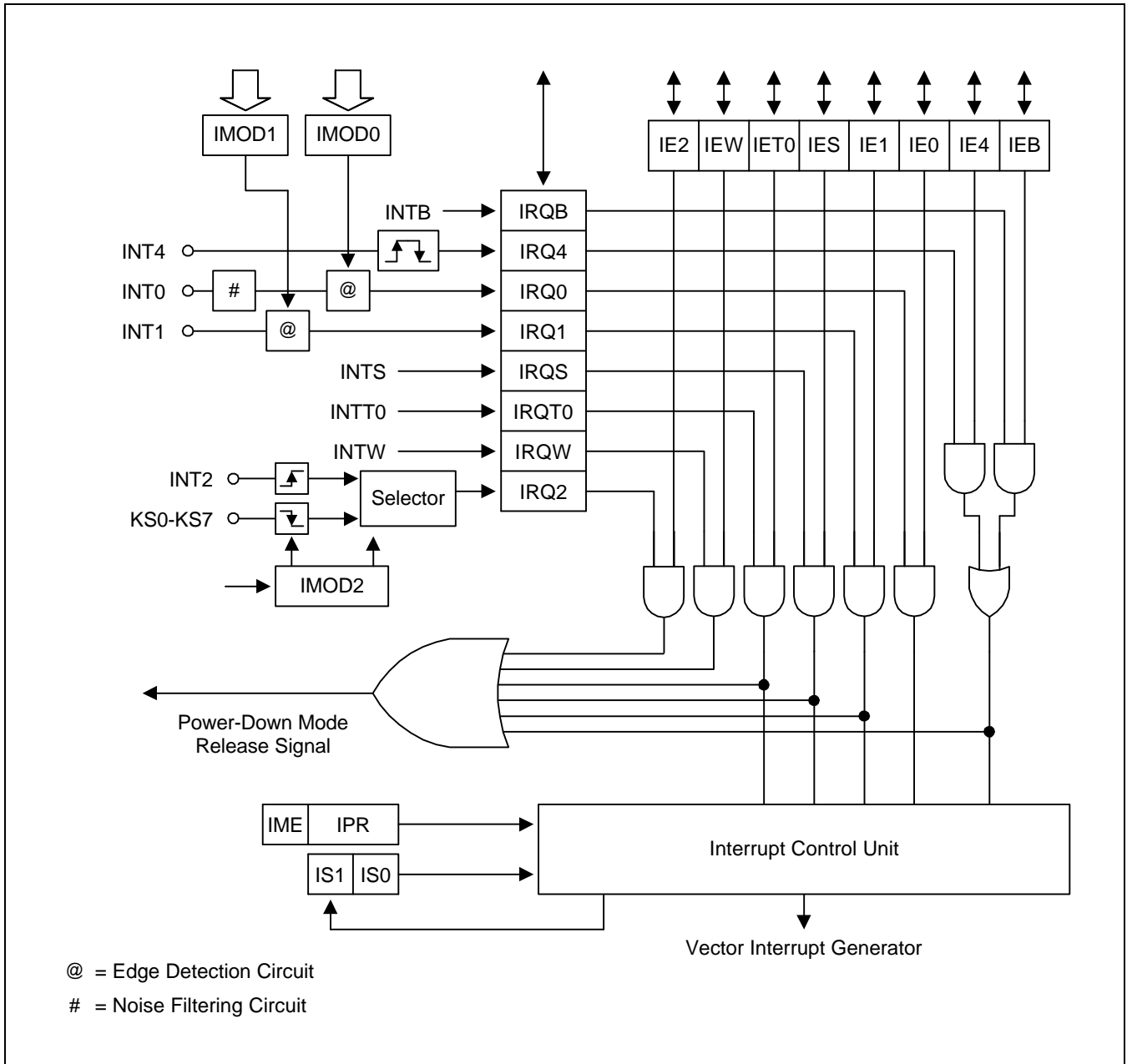


Figure 7-2. Interrupt Control Circuit Diagram

MULTIPLE INTERRUPTS

The interrupt controller can service multiple interrupts in two ways: as two-level interrupts, where either all interrupt requests or only those of highest priority are serviced, or as multi-level interrupts, when the interrupt service routine for a lower-priority request is accepted during the execution of a higher priority routine.

Two-Level Interrupt Handling

Two-level interrupt handling is the standard method for processing multiple interrupts. When the IS1 and IS0 bits of the PSW (FB0H.3 and FB0H.2, respectively) are both logic zero, program execution mode is normal and all interrupt requests are serviced (see Figure 7-3).

Whenever an interrupt request is accepted, IS1 and IS0 are incremented by one and the values are stored in the stack along with the other PSW bits. After the interrupt routine has been serviced, the modified IS1 and IS0 values are automatically restored from the stack by an IRET instruction.

IS0 and IS1 can be manipulated directly by 1-bit write instructions, regardless of the current value of the enable memory bank flag (EMB). Before you can modify an interrupt service flag, however, you must first disable interrupt processing with a DI instruction.

When IS1 = "0" and IS0 = "1", all interrupt service routines are inhibited except for the highest priority interrupt currently defined by the interrupt priority register (IPR).

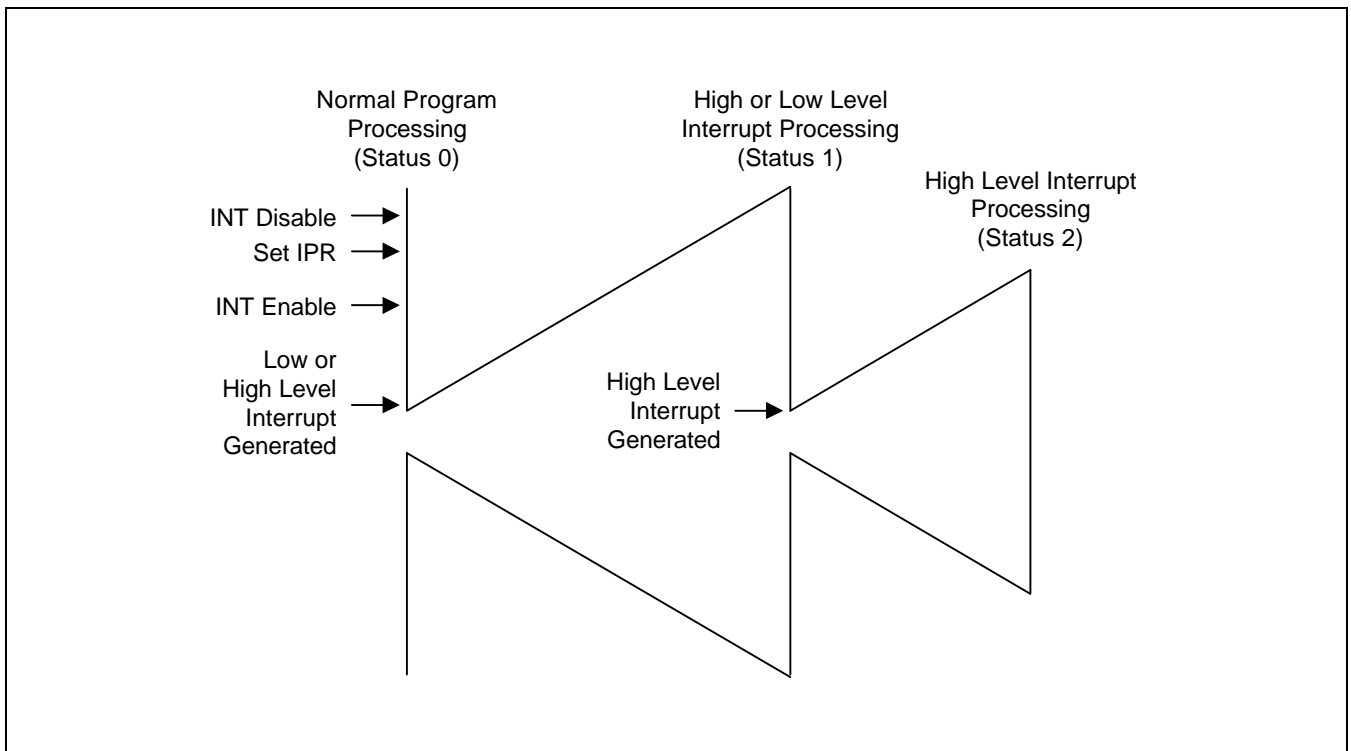


Figure 7-3. Two-Level Interrupt Handling

Multi-Level Interrupt Handling

With multi-level interrupt handling, a lower-priority interrupt request can be executed by manipulating the interrupt status flags, IS0 and IS1 while a high-priority interrupt is being serviced (see Table 7-2).

When an interrupt is requested during normal program execution, interrupt status flags IS0 and IS1 are set to "1" and "0", respectively. This setting allows only highest-priority interrupts to be serviced. When a high-priority request is accepted, both interrupt status flags are then cleared to "0" by software so that a request of any priority level can be serviced. In this way, the high- and low-priority requests can be serviced in parallel (see Figure 7-4).

Table 7-2. IS1 and IS0 Bit Manipulation for Multi-Level Interrupt Handling

Process Status	Before INT		Effect of Isx Bit Setting	After INT ACK	
	IS1	IS0		IS1	IS0
0	0	0	All interrupt requests are serviced.	0	1
1	0	1	Only high-priority interrupts as determined by the current settings in the IPR register are serviced.	1	0
2	1	0	No additional interrupt requests will be serviced.	–	–
–	1	1	Value undefined	–	–

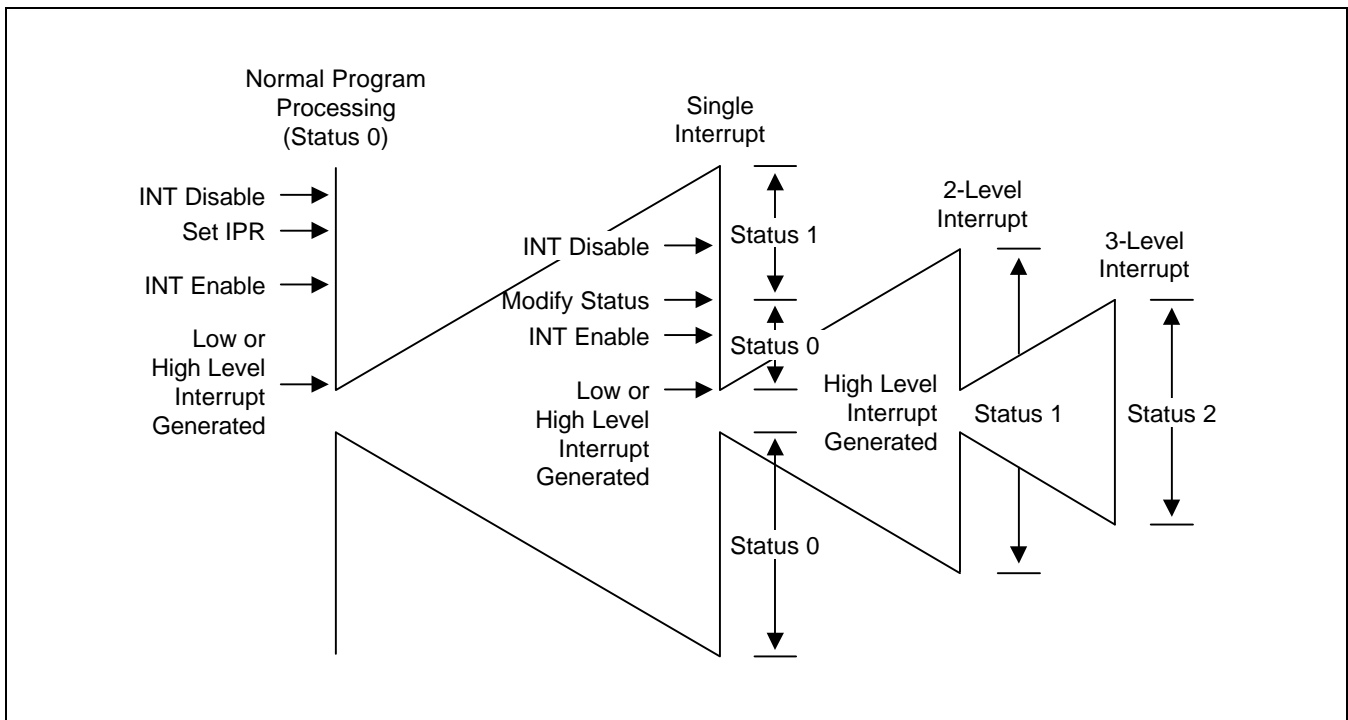


Figure 7-4. Multi-Level Interrupt Handling

INTERRUPT PRIORITY REGISTER (IPR)

The 4-bit interrupt priority register (IPR) is used to control multi-level interrupt handling. Its reset value is logic zero. Before the IPR can be modified by 4-bit write instructions, all interrupts must first be disabled by a DI instruction.

FB2H	IME	IPR.2	IPR.1	IPR.0
------	-----	-------	-------	-------

By manipulating the IPR settings, you can choose to process all interrupt requests with the same priority level, or you can select one type of interrupt for high-priority processing. A low-priority interrupt can itself be interrupted by a high-priority interrupt, but not by another low-priority interrupt. A high-priority interrupt cannot be interrupted by any other interrupt source.

Table 7-3. Standard Interrupt Priorities

Interrupt	Default Priority
INTB, INT4	1
INT0	2
INT1	3
INTS	4
INTT0	5

The MSB of the IPR, the interrupt master enable flag (IME), enables and disables all interrupt processing. Even if an interrupt request flag and its corresponding enable flag are set, a service routine cannot be executed until the IME flag is set to logic one. The IME flag (mapped FB2H.3) can be directly manipulated by EI and DI instructions, regardless of the current enable memory bank (EMB) value.

Table 7-4. Interrupt Priority Register Settings

IPR.2	IPR.1	IPR.0	Result of IPR Bit Setting
0	0	0	Normal interrupt handling according to default priority settings
0	0	1	Process INTB and INT4 interrupts at highest priority
0	1	0	Process INT0 interrupts at highest priority
0	1	1	Process INT1 interrupts at highest priority
1	0	0	Process INTS interrupts at highest priority
1	0	1	Process INTT0 interrupts at highest priority

NOTE: During normal interrupt processing, interrupts are processed in the order in which they occur. If two or more interrupt requests are received simultaneously, the priority level is determined according to the standard interrupt priorities in Table 7-3 (the default priority assigned by hardware when the lower three IPR bits = "0"). In this case, the higher-priority interrupt request is serviced and the other interrupt is inhibited. Then, when the high-priority interrupt is returned from its service routine by an IRET instruction, the inhibited service routine is started.

 **PROGRAMMING TIP — Setting the INT Interrupt Priority**

The following instruction sequence sets the INT1 interrupt to high priority:

```

BITS      EMB
SMB      15
DI                ; IPR.3 (IME) ← 0
LD      A,#3H
LD      IPR,A
EI                ; IPR.3 (IME) ← 1
    
```

EXTERNAL INTERRUPT 0 AND 1 MODE REGISTERS (IMOD0 and IMOD1)

The following components are used to process external interrupts at the INT0 and INT1 pins:

- Noise filtering circuit for INT0
- Edge detection circuit
- Two mode registers, IMOD0 and IMOD1

The mode registers are used to control the triggering edge of the input signal. IMOD0 and IMOD1 settings let you choose either the rising or falling edge of the incoming signal as the interrupt request trigger. The INT4 interrupt is an exception since its input signal generates an interrupt request on both rising and falling edges. Since INT2 is a quasi-interrupt, the interrupt request flag (IRQ2) must be cleared by software.

FB4H	IMOD0.3	"0"	IMOD0.1	IMOD0.0
FB5H	"0"	"0"	"0"	IMOD1.0
FB6H	"0"	IMOD2.2	IMOD2.1	IMOD2.0

IMOD0, IMOD1 and IMOD2 are addressable by 4-bit write instructions. RESET clears all IMOD values to logic zero, selecting rising edges as the trigger for incoming interrupt requests.

Table 7-5. IMOD0 and IMOD1 Register Organization

IMOD0	IMOD0.3	0	IMOD0.1	IMOD0.0	Effect of IMOD0 Settings	
	0					Select CPU clock for sampling
	1					Select fxx/64 sampling clock
			0	0	Rising edge detection	
			0	1	Falling edge detection	
			1	0	Both rising and falling edge detection	
			1	1	IRQ0 flag cannot be set to "1"	
IMOD1	0	0	0	IMOD1.0	Effect of IMOD1 and IMOD2 Settings	
				0		Rising edge detection
				1		Falling edge detection

EXTERNAL INTERRUPT0 and INTERRUPT1 MODE REGISTERS (Continued)

When a sampling clock rate of $fx/64$ is used for INT0, an interrupt request flag must be cleared before 16 machine cycles have elapsed. Since the INT0 pin has a clock-driven noise filtering circuit built into it, please take the following precautions when you use it:

- To trigger an interrupt, the input signal width at INT0 must be at least two times wider than the pulse width of the clock selected by IMOD0. This is true even when the INT0 pin is used for general-purpose input.

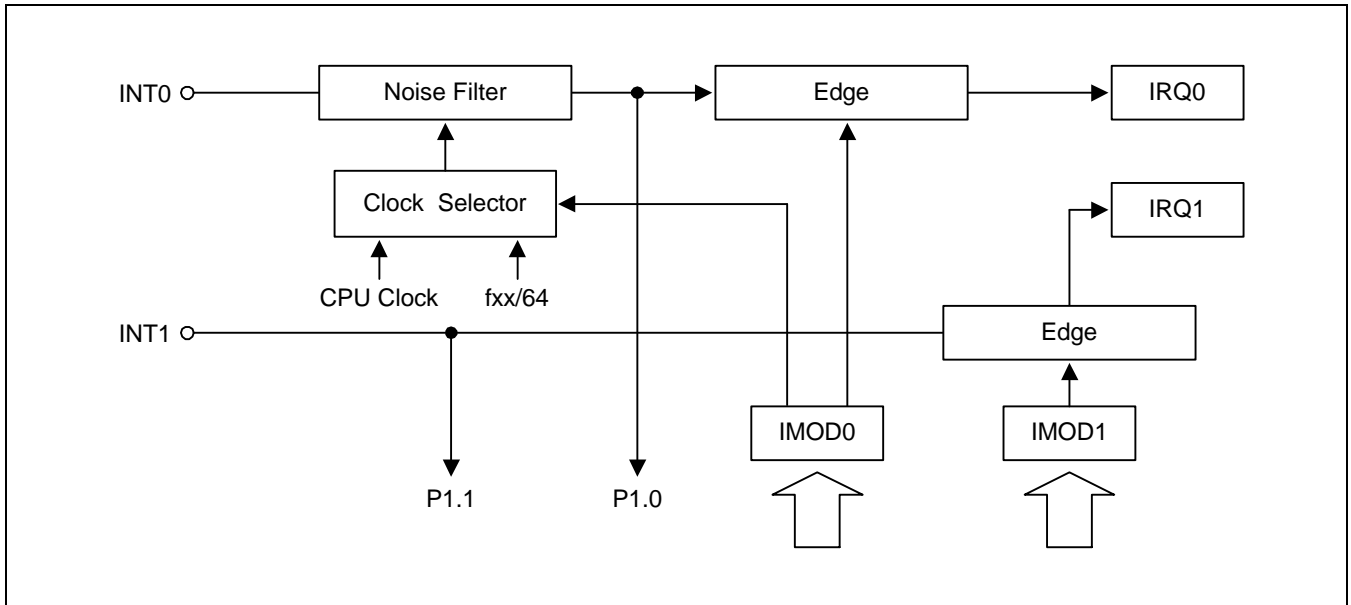


Figure 7-5. Circuit Diagram for INT0 and INT1 Pins

When modifying the IMOD registers, it is possible to accidentally set an interrupt request flag. To avoid unwanted interrupts, take these precautions when writing your programs:

1. Disable all interrupts with a DI instruction.
2. Modify the IMOD register.
3. Clear all relevant interrupt request flags.
4. Enable the interrupt by setting the appropriate IEx flag.
5. Enable all interrupts with an EI instructions.

EXTERNAL INTERRUPT 2 MODE REGISTER (IMOD2)

The mode register for external interrupt 2 at the KS0-KS7 pins, IMOD2, is addressable only by 4-bit write instructions. RESET clears all IMOD2 bits to logic zero.

FB6H	"0"	IMOD2.2	IMOD2.1	IMOD2.0
------	-----	---------	---------	---------

If a rising or falling edge is detected at any one of the selected KS pin by the IMOD2 register, the IRQ2 flag is set to logic one and a release signal for power-down mode is generated.

Table 7-6. IMOD2 Register Bit Settings

IMOD2	0	IMOD2.2	IMOD2.1	IMOD2.0	Effect of IMOD2 Settings
		0	0	0	Select rising edge at INT2 pin
		0	0	1	Select falling edge at KS4-KS7
		0	1	0	Select falling edge at KS2-KS7
		0	1	1	Select falling edge at KS0-KS7
		1	x	x	Ignore selection of falling edge at KS4-KS7

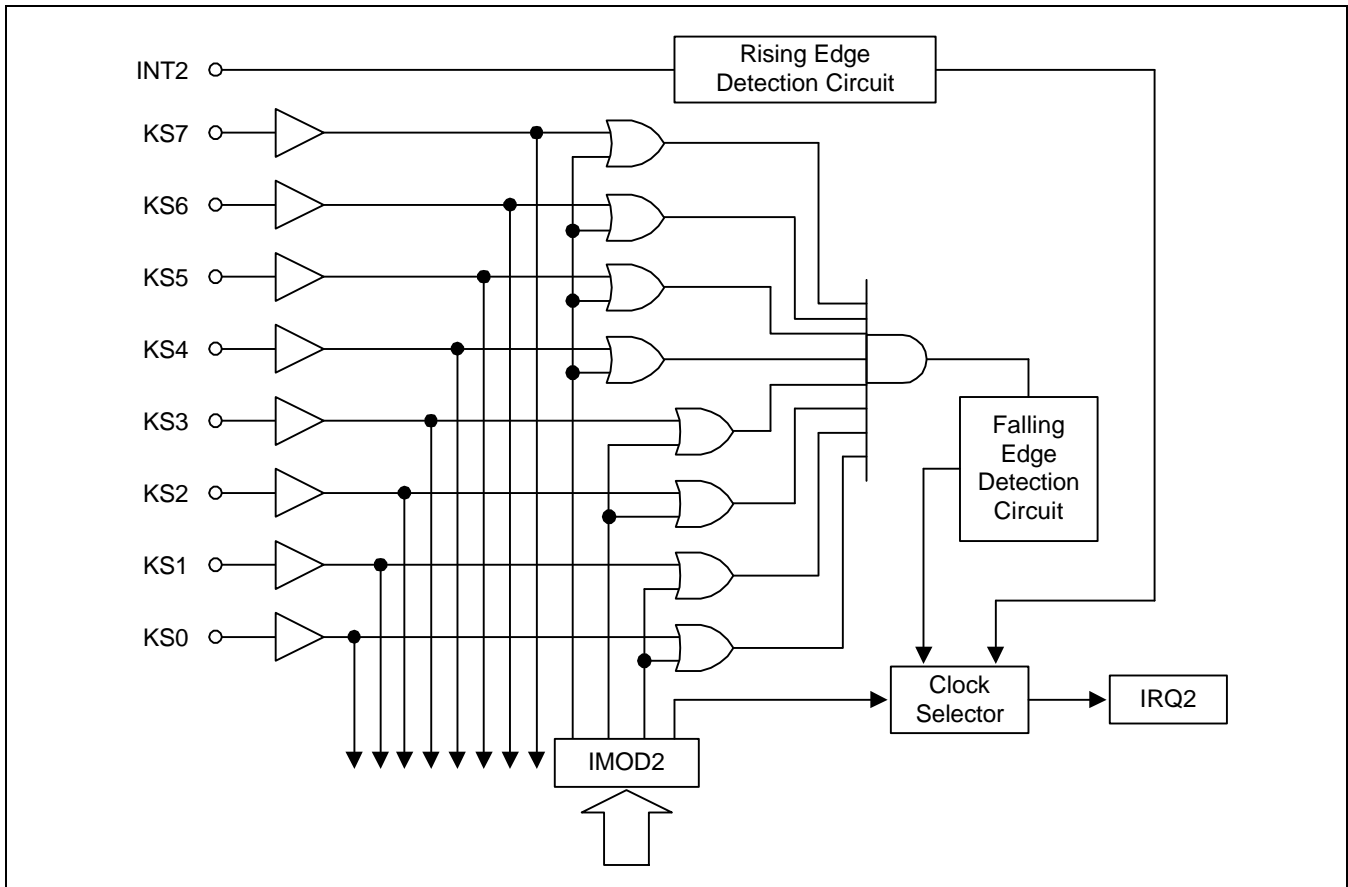


Figure 7-6. Circuit Diagram for INT2 and KS0-KS7 Pins

INTERRUPT FLAGS

There are three types of interrupt flags: interrupt request and interrupt enable flags that correspond to each interrupt, the interrupt master enable flag, which enables or disables all interrupt processing.

Interrupt Master Enable Flag (IME)

The interrupt master enable flag, IME, enables or disables all interrupt processing. Therefore, even when an IRQx flag is set and its corresponding IEx flag is enabled, the interrupt service routine is not executed until the IME flag is set to logic one.

The IME flag is located in the IPR register (IPR.3). It can be directly be manipulated by EI and DI instructions, regardless of the current value of the enable memory bank flag (EMB).

IME	IPR.2	IPR.1	IPR.0	Effect of Bit Settings
0				Inhibit all interrupts
1				Enable all interrupts

Interrupt Enable Flags (IEx)

IEx flags, when set to logical one, enable specific interrupt requests to be serviced. When the interrupt request flag is set to logical one, an interrupt will not be serviced until its corresponding IEx flag is also enabled.

Interrupt enable flags can be read, written, or tested directly by 1-bit instructions. IEx flags can be addressed directly at their specific RAM addresses, despite the current value of the enable memory bank (EMB) flag.

Table 7-7. Interrupt Enable and Interrupt Request Flag Addresses

Address	Bit 3	Bit 2	Bit 1	Bit 0
FB8H	IE4	IRQ4	IEB	IRQB
FBAH	0	0	IEW	IRQW
FBCH	0	0	IET0	IRQT0
FBDH	0	0	IES	IRQS
FBEH	IE1	IRQ1	IE0	IRQ0
FBFH	0	0	IE2	IRQ2

NOTES:

1. IEx refers to all interrupt enable flags.
2. IRQx refers to all interrupt request flags.
3. IEx = 0 is interrupt disable mode.
4. IEx = 1 is interrupt enable mode.

Interrupt Request Flags (IRQx)

Interrupt request flags are read/write addressable by 1-bit or 4-bit instructions. IRQx flags can be addressed directly at their specific RAM addresses, regardless of the current value of the enable memory bank (EMB) flag.

When a specific IRQx flag is set to logic one, the corresponding interrupt request is generated. The flag is then automatically cleared to logic zero when the interrupt has been serviced. Exceptions are the watch timer interrupt request flags, IRQW, and the external interrupt 2 flag IRQ2, which must be cleared by software after the interrupt service routine has executed. IRQx flags are also used to execute interrupt requests from software. In summary, follow these guidelines for using IRQx flags:

1. IRQx is set to request an interrupt when an interrupt meets the set condition for interrupt generation.
2. IRQx is set to "1" by hardware and then cleared by hardware when the interrupt has been serviced (with the exception of IRQW and IRQ2).
3. When IRQx is set to "1" by software, an interrupt is generated.

When two interrupts share the same service routine start address, interrupt processing may occur in one of two ways:

- When only one interrupt is enabled, the IRQx flag is cleared automatically when the interrupt has been serviced.
- When two interrupts are enabled, the request flag is not automatically cleared so that the user has an opportunity to locate the source of the interrupt request. In this case, the IRQx setting must be cleared manually using a BTSTZ instruction.

Table 7-8. Interrupt Request Flag Conditions and Priorities

Interrupt Source	Internal / External	Pre-condition for IRQx Flag Setting	Interrupt Priority	IRQ Flag Name
INTB	I	Reference time interval signal from basic timer	1	IRQB
INT4	E	Both rising and falling edges detected at INT4	1	IRQ4
INT0	E	Rising or falling edge detected at INT0 pin	2	IRQ0
INT1	E	Rising or falling edge detected at INT1 pin	3	IRQ1
INTS	I	Completion signal for serial transmit-and- receive or receive-only operation	4	IRQS
INTT0	I	Signals for TCNT0 and TREF0 registers match	5	IRQT0
INT2 (note) (KS0–KS7)	E	Rising edge detected at INT2 or falling edge detected at KS0–KS7	–	IRQ2
INTW	I	Time interval of 0.5 s or 3.19 ms	–	IRQW

NOTE: The quasi-interrupt INT2 is only used for testing incoming signals.

PROGRAMMING TIP — Enabling the INTB and INT4 Interrupts

To simultaneously enable INTB and INT4 interrupts:

```
INTB      DI
          BTSTZ      IRQB      ; IRQB = 1 ?
          JP         INT4      ; If no, INT4 interrupt; if yes, INTB interrupt is processed
          .
          .
          .
          EI
          IRET

INT4      BITR      IRQ4      ; INT4 is processed
          .
          .
          .
          EI
          IRET
```

8 POWER-DOWN

OVERVIEW

The S3C72N8/C72N5 microcontroller has two power-down modes to reduce power consumption: idle and stop. Idle mode is initiated by the IDLE instruction and stop mode by the instruction STOP. (Several NOP instructions must always follow an IDLE or STOP instruction in a program.) In idle mode, the CPU clock stops while peripherals and the oscillation source continue to operate normally.

When RESET occurs during normal operation or during a power-down mode, a reset operation is initiated and the CPU enters idle mode. When the standard oscillation stabilization time interval (31.3 ms at 4.19 MHz) has elapsed, normal CPU operation resumes.

In main stop mode, main system clock oscillation is halted (assuming main clock is selected as system clock and it is currently operating), and peripheral hardware components are powered-down. In sub stop mode, (assuming sub clock is selected) sub system clock oscillation is halted by setting SCMOD.2 to "1". The effect of stop mode on specific peripheral hardware components — CPU, basic timer, timer/ counter 0, watch timer, and LCD controller, serial I/O — and on external interrupt requests, is detailed in Table 8-1.

NOTE

Do not use stop mode if you are using an external clock source because X_{IN} input must be restricted internally to V_{SS} to reduce current leakage.

Idle or main stop modes are terminated either by a RESET, or by an interrupt which is enabled by the corresponding interrupt enable flag, IEx. When power-down mode is terminated by RESET, a normal reset operation is executed. Assuming that both the interrupt enable flag and the interrupt request flag are set to "1", power-down mode is released immediately upon entering power-down mode. Sub stop mode can be terminated by RESET only.

When an interrupt is used to release power-down mode, the operation differs depending on the value of the interrupt master enable flag (IME):

- If the IME flag = "0", program execution starts immediately after the instruction issuing a request to enter power-down mode is executed. The interrupt request flag remains set to logical one.
- If the IME flag = "1", two instructions are executed after the power-down mode release and the vectored interrupt is then initiated. However, when the release signal is caused by INT2 or INTW, the operation is identical to the IME = "0" condition. Assuming that both interrupt enable flag and interrupt request flag are set to "1", the release signal is generated when power-down mode is entered.

Table 8-1. Hardware Operation During Power-Down Modes

Mode	Main Stop	Sub Stop	Main/Sub Stop	Idle
System clock	Main clock (fx)	Sub clock (fxt)	Main clock (fx) ⁽¹⁾	Main (fx) or sub clock (fxt)
Instruction	STOP	Setting SCMOD.2 to "1"	STOP	IDLE
Clock oscillator	Main clock oscillation stops	Sub clock oscillation stops	Main clock oscillation stops	Only CPU clock stops. ⁽²⁾
Basic timer	Basic timer stops.	Basic timer stops.	Basic timer stops.	Basic timer operates.
Serial I/O interface	operates only if external SCK is selected as serial clock	operates only if external SCK is selected as serial clock	operates only if external SCK is selected as serial clock	operates only if a clock other than the CPU clock is selected as the serial clock.
Timer/counter 0	Operates only if TCL0 is selected as counter clock.	Operates only if TCL0 is selected as counter clock.	Operates only if TCL0 is selected as counter clock.	Timer/counter 0 operates.
Watch timer	Operates only if sub clock (fxt) is selected as counter clock.	Watch timer stops.	Watch timer stops.	Watch timer operates.
LCD controller	Operates only if sub clock (fxt) is selected as LCD clock, LCDCK.	LCD controller stops.	LCD controller stops.	LCD controller operates.
External interrupts	INT1 and INT2 are acknowledged; INT0 is not serviced.	INT0, INT1, and INT2 is not serviced.	INT1 and INT2 are acknowledged; INT0 is not serviced.	INT1 and INT2 are acknowledged; INT0 is not serviced.
CPU	All CPU operations are disabled.			
Mode release signal	Interrupt request signals (except INT0) pre-enabled by IEx or RESET input.	Only RESET input	Interrupt request signals (except INT0) pre-enabled by IEx or RESET input.	

NOTES:

1. Sub clock stops by setting SCMOD.2 to "1".
2. Main and sub clock oscillation continues.

IDLE MODE TIMING DIAGRAMS

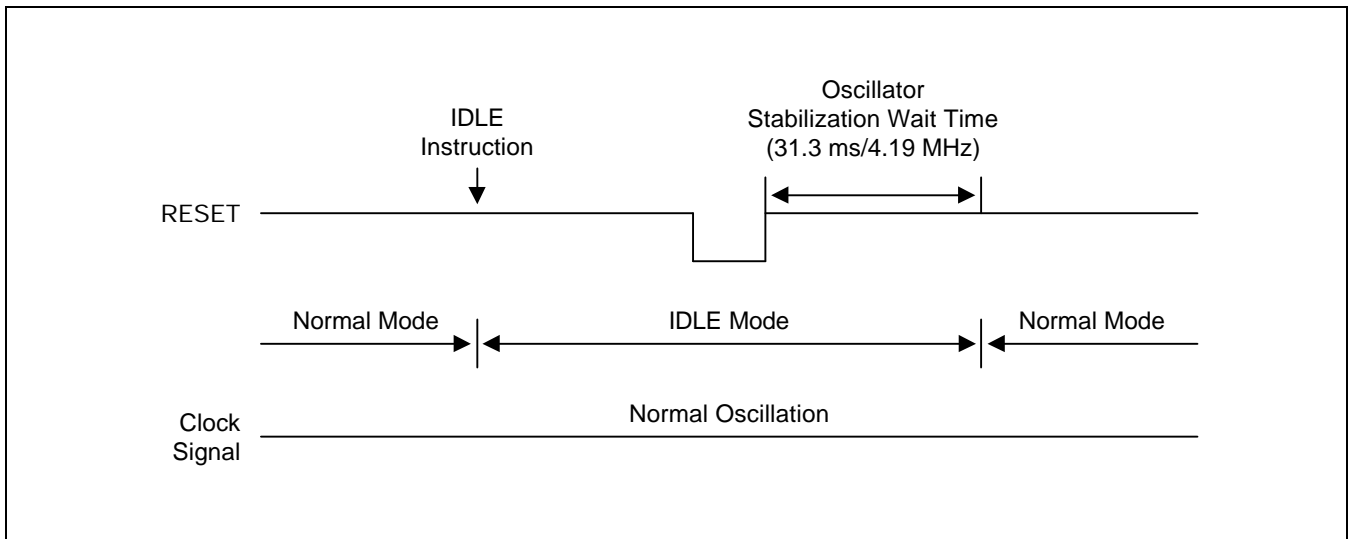


Figure 8-1. Timing When Idle Mode is Released by RESET

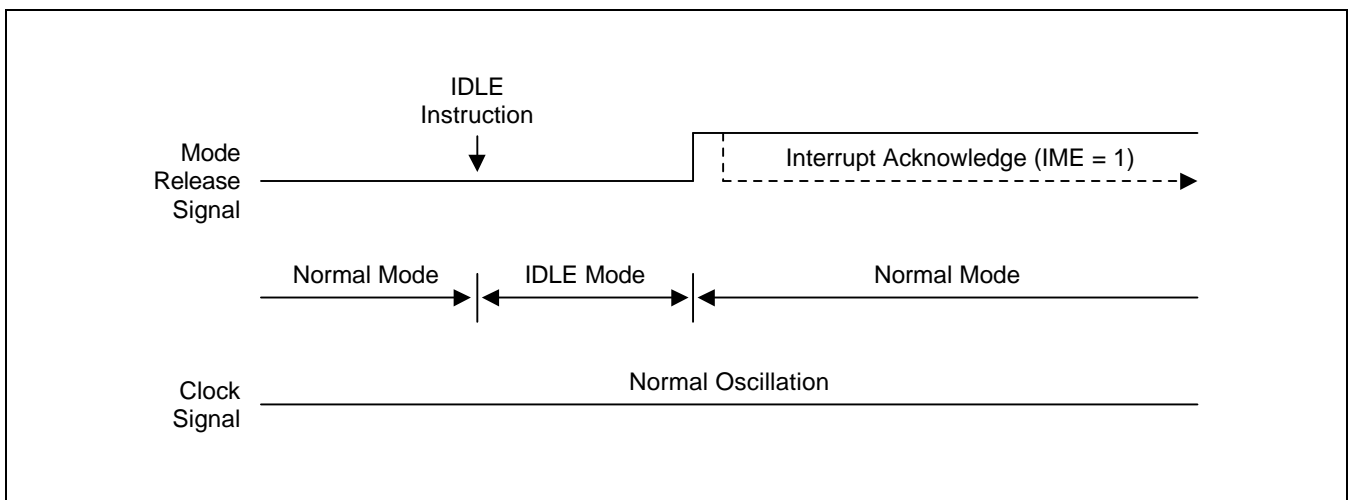


Figure 8-2. Timing When Idle Mode is Released by an Interrupt

STOP MODE TIMING DIAGRAMS

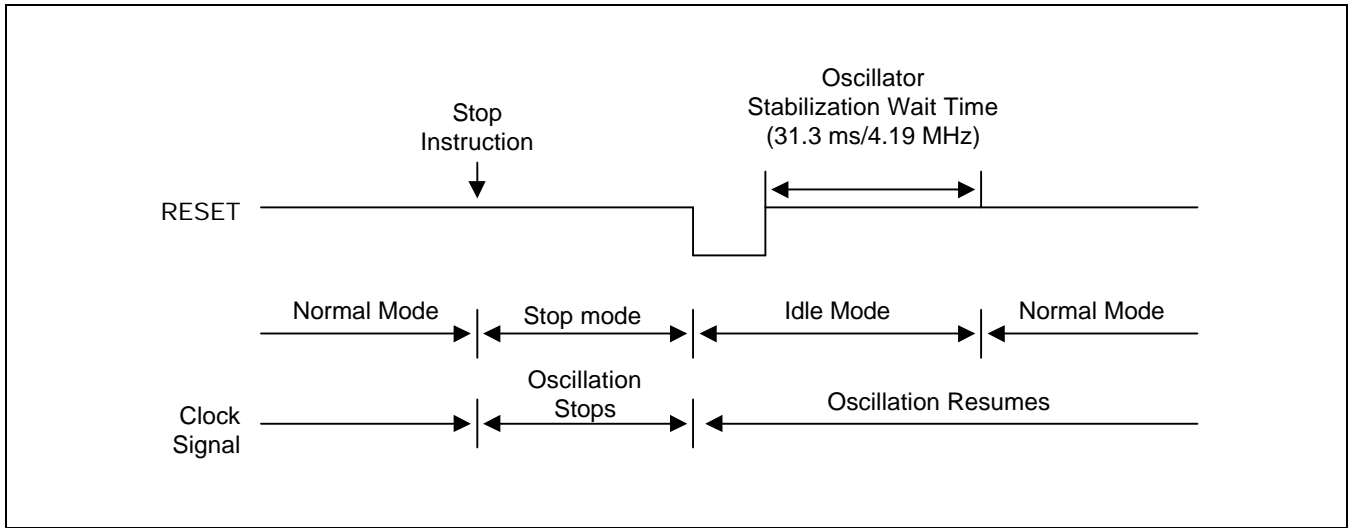


Figure 8-3. Timing When Stop Mode is Released by RESET

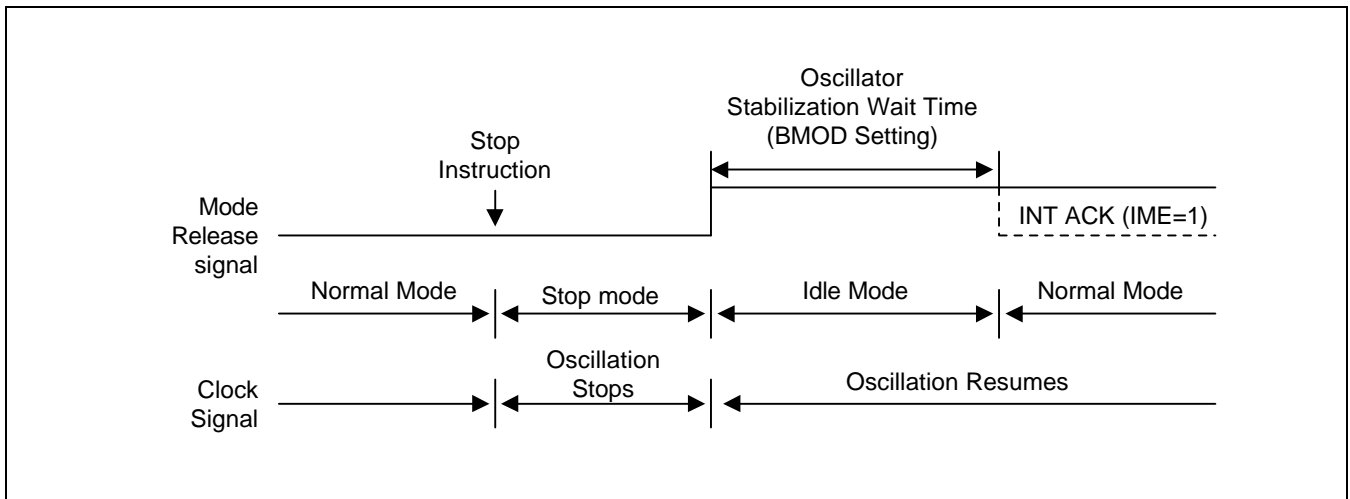


Figure 8-4. Timing When Main Stop or Main/Sub Stop Mode is Release by an Interrupt

PROGRAMMING TIP — Reducing Power Consumption for Key Input Interrupt Processing

The following code shows real-time clock and interrupt processing for key inputs to reduce power consumption. In this example, the system clock source is switched from the main system clock to a subsystem clock and the LCD display is turned on:

```

KEYCLK    DI
          CALL    MA2SUB          ; Main system clock → subsystem clock switch subroutine
          SMB     15
          LD      EA,#00H
          LD      P2,EA          ; All key strobe outputs to low level
          LD      A,#3H
          LD      IMOD2,A       ; Select KS0–KS7 enable
          SMB     0
          BITR    IRQW
          BITR    IRQ2
          BITS    IEW
          BITS    IE2
CLKS1     CALL    WATDIS         ; Execute clock and display changing subroutine
          BTSTZ   IRQ2
          JR      CIDLE
          CALL    SUB2MA         ; Subsystem clock → main system clock switch
subroutine
          EI
          RET
CIDLE     IDLE                   ; Engage idle mode
          NOP
          NOP
          NOP
          JPS     CLKS1

```

NOTE

You must program at least three NOP instructions after IDLE and STOP instructions, to avoid flowing of leakage current due to the floating state in the internal bus.

PORT PIN CONFIGURATION FOR POWER-DOWN

The following method describes how to configure I/O port pins to reduce power consumption during power-down modes (stop, idle):

Condition 1: If the microcontroller is not configured to an external device:

1. Connect unused port pins according to the information in Table 8-2.
2. Disable pull-up resistors for input pins configured to V_{DD} or V_{SS} levels in order to check the current input option. Reason: If the input level of a port pin is set to V_{SS} when a pull-up resistor is enabled, it will draw an unnecessarily large current.

Condition 2: If the microcontroller is configured to an external device and the external device's V_{DD} source is turned off in power-down mode.

1. Connect unused port pins according to the information in Table 8-2.
2. Disable pull-up resistors for input pins configured to V_{DD} or V_{SS} levels in order to check the current input option. Reason: If the input level of a port pin is set to V_{SS} when a pull-up resistor is enabled, it will draw an unnecessarily large current.
3. Disable the pull-up resistors of input pins connected to the external device by making the necessary modifications to the PUMOD register.
4. Configure the output pins that are connected to the external device to low level. Reason: When the external device's V_{DD} source is turned off, and if the microcontroller's output pins are set to high level, $V_{DD} - 0.7$ V is supplied to the V_{DD} of the external device through its input pin. This causes the device to operate at the level $V_{DD} - 0.7$ V. In this case, total current consumption would not be reduced.
5. Determine the correct output pin state necessary to block current pass in according with the external transistors (PNP, NPN).

RECOMMENDED CONNECTIONS FOR UNUSED PINS

To reduce overall power consumption, please configure unused pins according to the guidelines described in Table 8-2.

Table 8-2. Unused Pin Connections for Reducing Power Consumption

Pin/Share Pin Names	Recommended Connection
P0.0/INT4 P0.1/SCK P0.2/SO P0.3/SI	Input mode: Connect to V_{DD} Output mode: No connection
P1.0/INT0 P1.1/INT1 P1.2/INT2 P1.3/TCL0	Connect to V_{DD} ⁽¹⁾
P2.0/TCL00 P2.1 P2.2/CLO P2.3/BUZ	Input mode: Connect to V_{DD} Output mode: No connection
P3.2–P3.3 P3.1/LCDSY P3.0/LCDCK	Input mode: Connect to V_{DD} Output mode: No connection
P8.0/SEG24–P8.7/SEG31	No connection ⁽²⁾
SEG0–SEG23 COM0–COM3	No connection
V_{LC0} – V_{LC2}	No connection
XT_{IN}	Connect XT_{IN} to V_{SS} (Set SCMOD.2 to "1")
XT_{OUT}	No connection
TEST	Connect to V_{SS}

NOTES:

1. Digital mode at P1.0 and P1.1
2. Used as segment

9

RESET

OVERVIEW

When a RESET signal is input during normal operation or power-down mode, a hardware reset operation is initiated and the CPU enters idle mode. Then, when the standard oscillation stabilization interval of 31.3 ms at 4.19 MHz has elapsed, normal system operation resumes.

Regardless of when the RESET occurs — during normal operating mode or during a power-down mode — most hardware register values are set to the reset values described in Table 9-1. The current status of several register values is, however, always retained when a RESET occurs during idle or stop mode; If a RESET occurs during normal operating mode, their values are undefined. Current values that are retained in this case are as follows:

- Carry flag
- Data memory values
- General-purpose registers E, A, L, H, X, W, Z, and Y

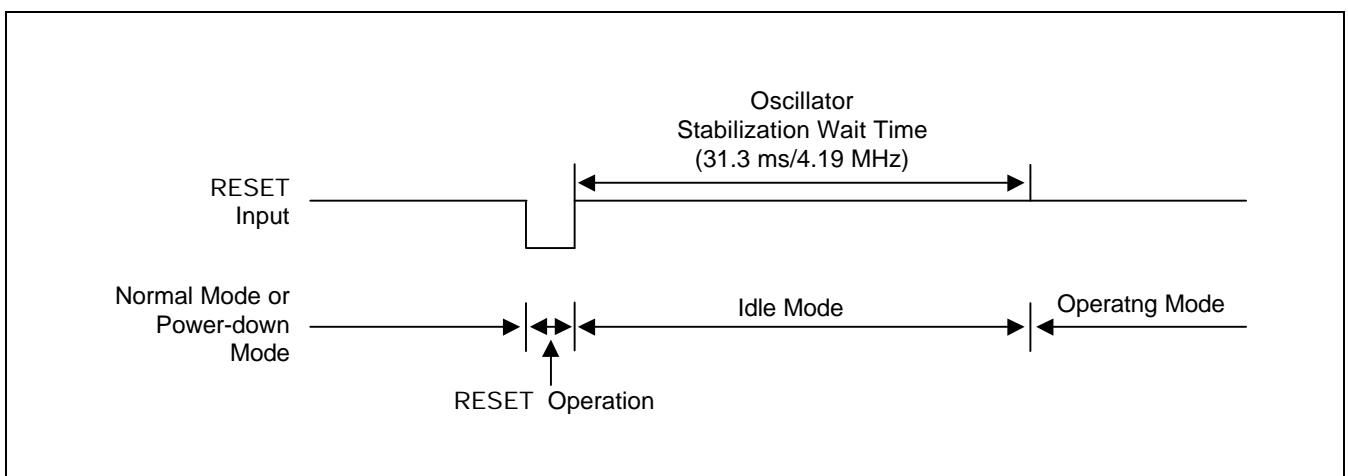


Figure 9-1. Timing for Oscillation Stabilization After RESET

HARDWARE REGISTER VALUES AFTER RESET

Table 9-1 gives you detailed information about hardware register values after a RESET occurs during power-down mode or during normal operation.

Table 9-1. Hardware Register Values After RESET

Hardware Component or Subcomponent	If RESET Occurs During Power-Down Mode	If RESET Occurs During Normal Operation
Program counter (PC)	Lower five bits of address 0000H are transferred to PC12/13–8, and the contents of 0001H to PC7–0.	Lower five bits of address 0000H are transferred to PC12/13–8, and the contents of 0001H to PC7–0.
Program Status Word (PSW):		
Carry flag (C)	Retained	Undefined
Skip flag (SC0–SC2)	0	0
Interrupt status flags (IS0, IS1)	0	0
Bank enable flags (EMB, ERB)	Bit 6 of address 0000H in program memory is transferred to the ERB flag, and bit 7 of the address to the EMB flag.	Bit 6 of address 0000H in program memory is transferred to the ERB flag, and bit 7 of the address to the EMB flag.
Stack pointer (SP)	Undefined	Undefined
Data Memory (RAM):		
Working registers E, A, L, H, X, W, Z, Y	Values retained	Undefined
Bank selection registers (SMB, SRB)	0, 0	0, 0
BSC register (BSC0–BSC3)	0	0
Clocks:		
Power control register (PCON)	0	0
Clock output mode register (CLMOD)	0	0
System clock control reg (SCMOD)	0	0
Interrupts:		
Interrupt request flags (IRQx)	0	0
Interrupt enable flags (IEx)	0	0
Interrupt priority flag (IPR)	0	0
Interrupt master enable flag (IME)	0	0
INT0 mode register (IMOD0)	0	0
INT1 mode register (IMOD1)	0	0
INT2 mode register (IMOD2)	0	0

Table 9-1. Hardware Register Values After RESET (Continued)

Hardware Component or Subcomponent	If RESET Occurs During Power-Down Mode	If RESET Occurs During Normal Operation
I/O Ports:		
Output buffers	Off	Off
Output latches	0	0
Port mode flags (PM)	0	0
Pull-up resistor mode reg (PUMOD)	0	0
Port N-ch open drain reg (PNE)	0	0
Basic Timer:		
Count register (BCNT)	Undefined	Undefined
Mode register (BMOD)	0	0
Timer/Counters 0 and 1:		
Count registers (TCNT0)	0	0
Reference registers (TREF0)	FFH	FFH
Mode registers (TMOD0)	0	0
Output enable flags (TOE0)	0	0
Watchdog Timer:		
WDT mode register (WDMOD)	A5H	A5H
WDT clear flag (WDTCF)	0	0
Watch Timer:		
Watch timer mode register (WMOD)	0	0
LCD Driver/Controller:		
LCD mode register (LMOD)	0	0
LCD control register (LCON)	0	0
Display data memory	Values retained	Undefined
Output buffers	Off	Off
Serial I/O Interface:		
SIO mode register (SMOD)	0	0
SIO interface buffer (SBUF)	Values retained	Undefined

10 I/O PORTS

OVERVIEW

The S3C72N8/C72N5 has 9 ports. There are total of 6 input pins, 8 output pin and 26 configurable I/O pins, for a maximum number of 40 pins.

Pin addresses for all ports are mapped to bank 15 of the RAM. The contents of I/O port pin latches can be read, written, or tested at the corresponding address using bit manipulation instructions.

Port Mode Flags

Port mode flags (PM) are used to configure I/O ports to input or output mode by setting or clearing the corresponding I/O buffer.

Pull-Up Resistor Mode Register (PUMOD)

The pull-up resistor mode registers (PUMOD) are used to assign internal pull-up resistors by software to specific ports. When a configurable I/O port pin is used as an output pin, its assigned pull-up resistor is automatically disabled, even though the pin's pull-up is enabled by a corresponding PUMOD bit setting.

N-Channel Open-Drain Mode Register (PNE)

The n-channel open-drain mode register (PNE) is used to configure outputs as n-channel open-drain outputs or as push-pull outputs.

Table 10-1. I/O Port Overview

Port	I/O	Pins	Pin Names	Address	Function Description
P0.0 P0.1 P0.2 P0.3	I I/O I/O I	4	P0.0–P0.3	FF0H	P0.0 and P0.3 are input port. 1-bit and 4-bit read and test are possible. P0.1 and P0.2 are I/O port. P0.1 and P0.2 are software configurable as input or output for SCK and SO by SMOD register. 4-bit pull-up resistors are software assignable.
1	I	4	P1.0–P1.3	FF1H	4-bit input port. 1-bit and 4-bit read and test are possible. 4-bit pull-up resistors are software assignable.
2	I/O	4	P2.0–P2.3	FF2H	4-bit I/O port. 1-bit and 4-bit read/write and test is possible. 4-bit pull-up resistors are software assignable.
3	I/O	4	P3.0–P3.3	FF3H	4-bit I/O Port. 1-bit and 4-bit read/write and test are possible. 4-bit pull-up resistors are software assignable. Each pin is individually software configurable as input or output.
4, 5	I/O	8	P4.0–P4.3 P5.0–P5.3	FF4H FF5H	4-bit I/O port. Each pin can be set to N-channel open-drain output, up to 5 volts. 1-, 4-, and 8-bit read/write/test are possible. Ports 4 and 5 can be paired to support 8-bit data transfer. Pull-up resistors are software assignable; pull-up resistor are automatically disable for output.
6, 7	I/O	8	P6.0–P6.3 P7.0–P7.3	FF6H FF7H	4-bit I/O port. Port 6 pins are individually software configurable as input or output. 1-, and 4-bit read/write/test are possible. 4-bit pull-up resistors are software assignable. Ports 6 and 7 can be paired for 8-bit data transfer.
8	O	8	P8.0–P8.7	1F8H–1FFH	Output port for 1-bit data (for use as CMOS driver only)

Table 10-2. Port Pin Status During Instruction Execution

Instruction Type	Example	Input Mode Status	Output Mode Status
1-bit test 1-bit input 4-bit input 8-bit input	BTST P0.1 LDB C,P1.3 LD A,P0 LD EA,P4	Input or test data at each pin	Input or test data at output latch
1-bit output	BITR P2.3	Output latch contents undefined	Output pin status is modified
4-bit output 8-bit output	LD P2,A LD P6,EA	Transfer accumulator data to the output latch	Transfer accumulator data to the output pin

PORT MODE FLAGS (PM FLAGS)

Port mode flags (PM) are used to configure I/O ports to input or output mode by setting or clearing the corresponding I/O buffer.

For convenient program reference, PM flags are organized into two groups — PMG1 and PMG2 as shown in Table 10-3. They are addressable by 8-bit write instructions only.

When a PM flag is "0", the port is set to input mode; when it is "1", the port is enabled for output. RESET clears all port mode flags to logical zero, automatically configuring the corresponding I/O ports to input mode.

Table 10-3. Port Mode Group Flags

PM Group ID	Address	Bit 3/7	Bit 2/6	Bit 1/5	Bit 0/4
PMG1	FE8H	PM3.3	PM3.2	PM3.1	PM3.0
	FE9H	PM6.3	PM6.2	PM6.1	PM6.0
PMG2	FECH	"0"	PM2	"0"	"0"
	FEDH	PM7	"0"	PM5	PM4

PROGRAMMING TIP — Configuring I/O Ports to Input or Output

Configure ports 3 and 6 as an output port:

```

BITS      EMB
SMB      15
LD      EA,#0FFH
LD      PMG1,EA      ; P3 and P6 ← Output
  
```

PULL-UP RESISTOR MODE REGISTER (PUMOD)

The pull-up resistor mode registers (PUMOD1 and PUMOD2) are used to assign internal pull-up resistors by software to specific ports. When a configurable I/O port pin is used as an output pin, its assigned pull-up resistor is automatically disabled, even though the pin's pull-up is enabled by a corresponding PUMOD bit setting.

PUMOD1 is addressable by 8-bit write instructions only, and PUMOD2 by 4-bit write instruction only. RESET clears PUMOD register values to logic zero, automatically disconnecting all software-assignable port pull-up resistors.

Table 10-4. Pull-Up Resistor Mode Register (PUMOD) Organization

PUMOD ID	Address	Bit 3/7	Bit 2/6	Bit 1/5	Bit 0/4
PUMOD	FDCH	PUR3	PUR2	PUR1	PUR0
	FDDH	PUR7	PUR6	PUR5	PUR4

NOTE: When bit = "1", a pull-up resistor is assigned to the corresponding I/O port: PUR3 for port 3, PUR2 for port 2, and so on.

PROGRAMMING TIP — Enabling and Disabling I/O Port Pull-Up Resistors

P2 and P3 are enabled to be pull-up resistors.

```

BITS      EMB
SMB       15
LD        EA,#0CH
LD        PUMOD,EA      ; enable the pull-up resistors of P2 and P3

```

N-CHANNEL OPEN-DRAIN MODE REGISTER (PNE)

The n-channel open-drain mode register (PNE) is used to configure ports 4 and 5 to n-channel open-drain or as push-pull outputs. When a bit in the PNE register is set to "1", the corresponding output pin is configured to n-channel, open-drain; when set to "0", the output pin is configured to push-pull. The PNE register consists of an 8-bit register, PNE can be addressed by 8-bit write instructions only.

FD6H	PNE4.3	PNE4.2	PNE4.1	PNE4.0
FD7H	PNE5.3	PNE5.2	PNE5.1	PNE5.0

PIN ADDRESSING FOR OUTPUT PORT 8

The addresses for the port 8 1-bit output pin buffers are located in bank 1 of data memory instead of bank 15. To address port 8 output pins, use the settings EMB = 1 and SMB = 1. The LCD mode register, LMOD is used to control whether the pin address is used for LCD data output or for normal data output:

Table 10-5. LMOD.7 and LMOD.6 Setting for Port 8 Output Control

LMOD.7	LMOD.6	LCD Output Segments	1-Bit Output Pins
0	0	Seg 24–31	–
0	1	Seg 24–27	P8.4–P8.7 (Seg 28–31)
1	0	Seg 28–31	P8.0–P8.3 (Seg 24–27)
1	1	–	P8.0–P8.7 (Seg 24–31)

Each address in RAM bank 1 corresponds to a 4-bit register location. The LSB (bit 0) of the register location is used as the port buffer for either LCD segment output or normal 1-bit data output. Locations that are unused for LCD or port I/O can be used as normal data memory. After a RESET, the values contained in the port 8 output buffer are left undetermined.

Table 10-6 shows port 8 pin addresses and also the corresponding LCD segment names if the pins are used to output LCD segment data. Pin addresses that are not used for LCD segment output can be used for normal 1-bit output.

Table 10-6. Port 8 Pin Addresses and LCD Segment Correspondence

Port 8 Pin Number	RAM Address	LCD Segment
P8.0	1F8H	SEG24
P8.1	1F9H	SEG25
P8.2	1FAH	SEG26
P8.3	1FBH	SEG27
P8.4	1FCH	SEG28
P8.5	1FDH	SEG29
P8.6	1FEH	SEG30
P8.7	1FFH	SEG31

PORT 0 CIRCUIT DIAGRAM

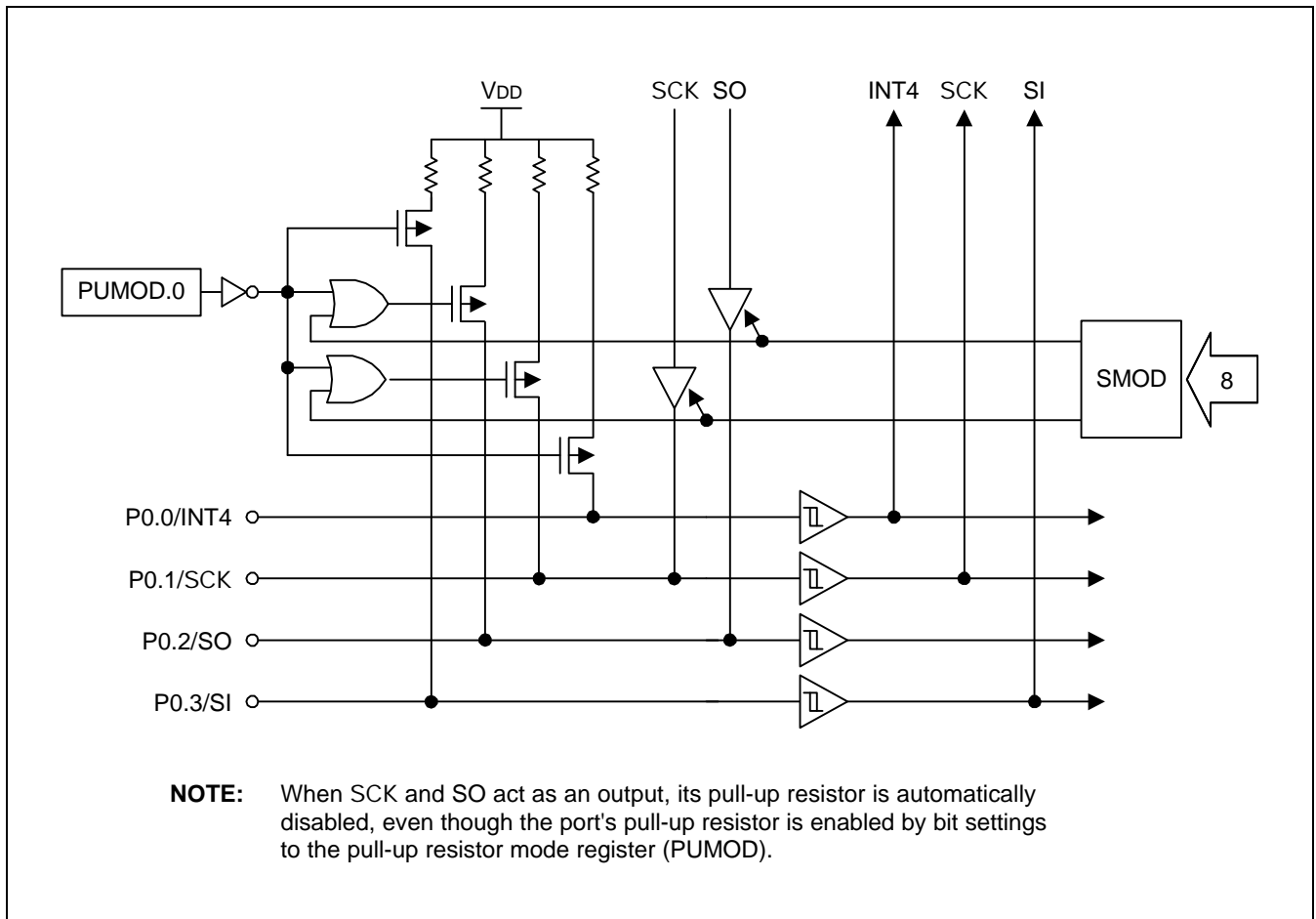


Figure 10-1. Port 0 Circuit Diagram

PORT 1 CIRCUIT DIAGRAM

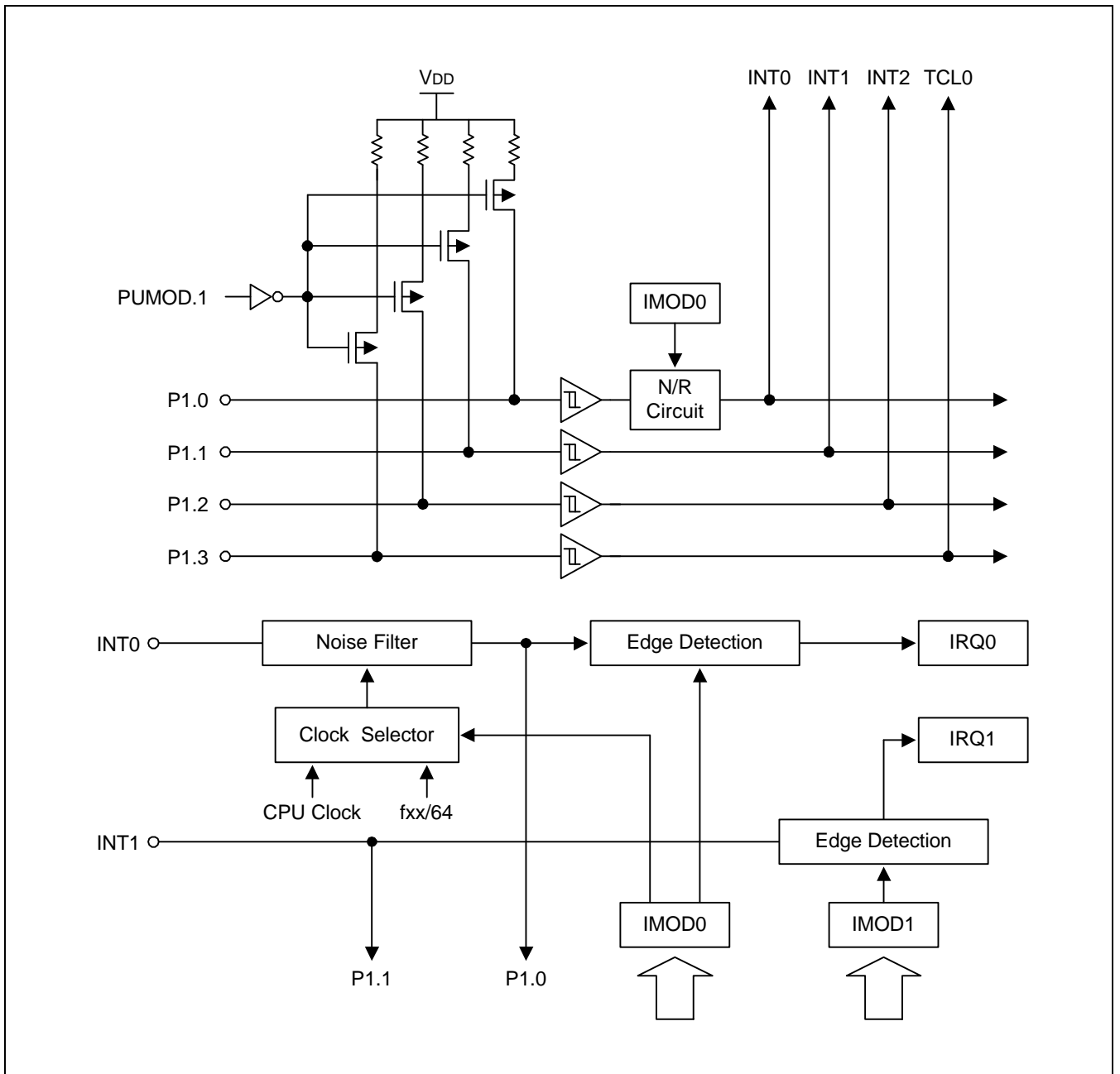


Figure 10-2. Port 1 Circuit Diagram

PORT 2 CIRCUIT DIAGRAM

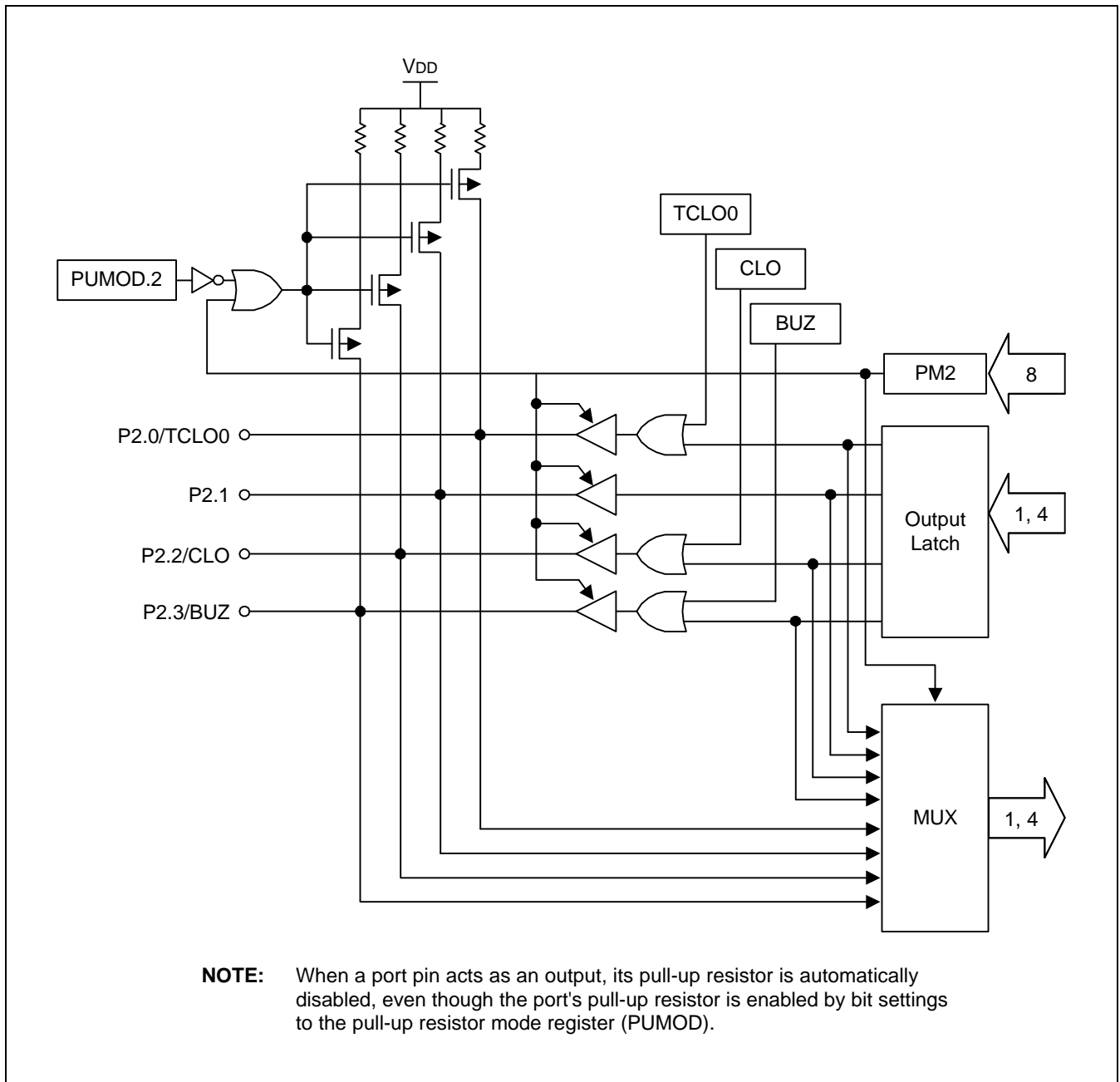


Figure 10-3. Port 2 Circuit Diagram

PORT 3 AND 6 CIRCUIT DIAGRAM

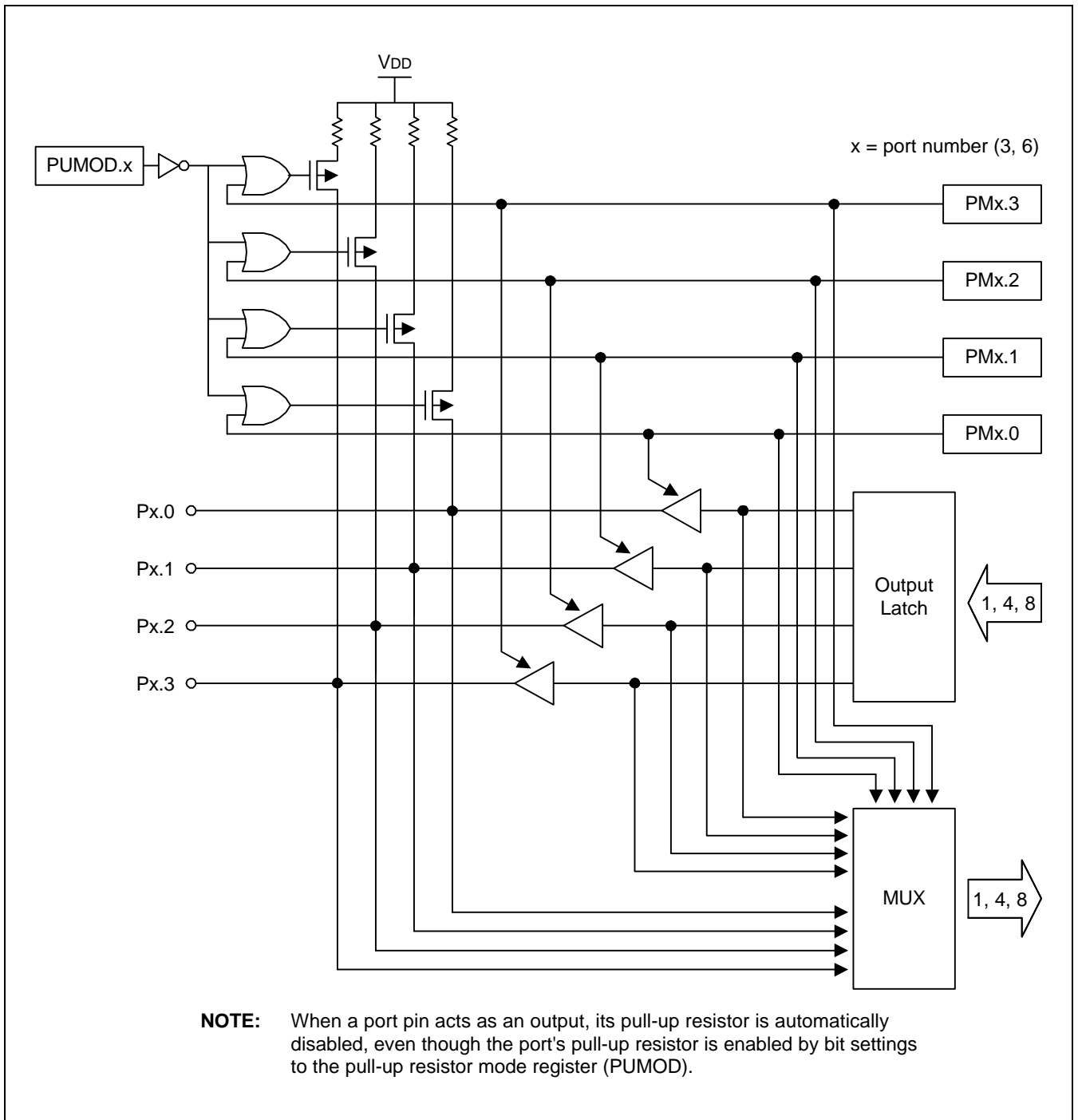


Figure 10-4. Port 3 and 6 Circuit Diagram

PORT 4 AND 5 CIRCUIT DIAGRAM

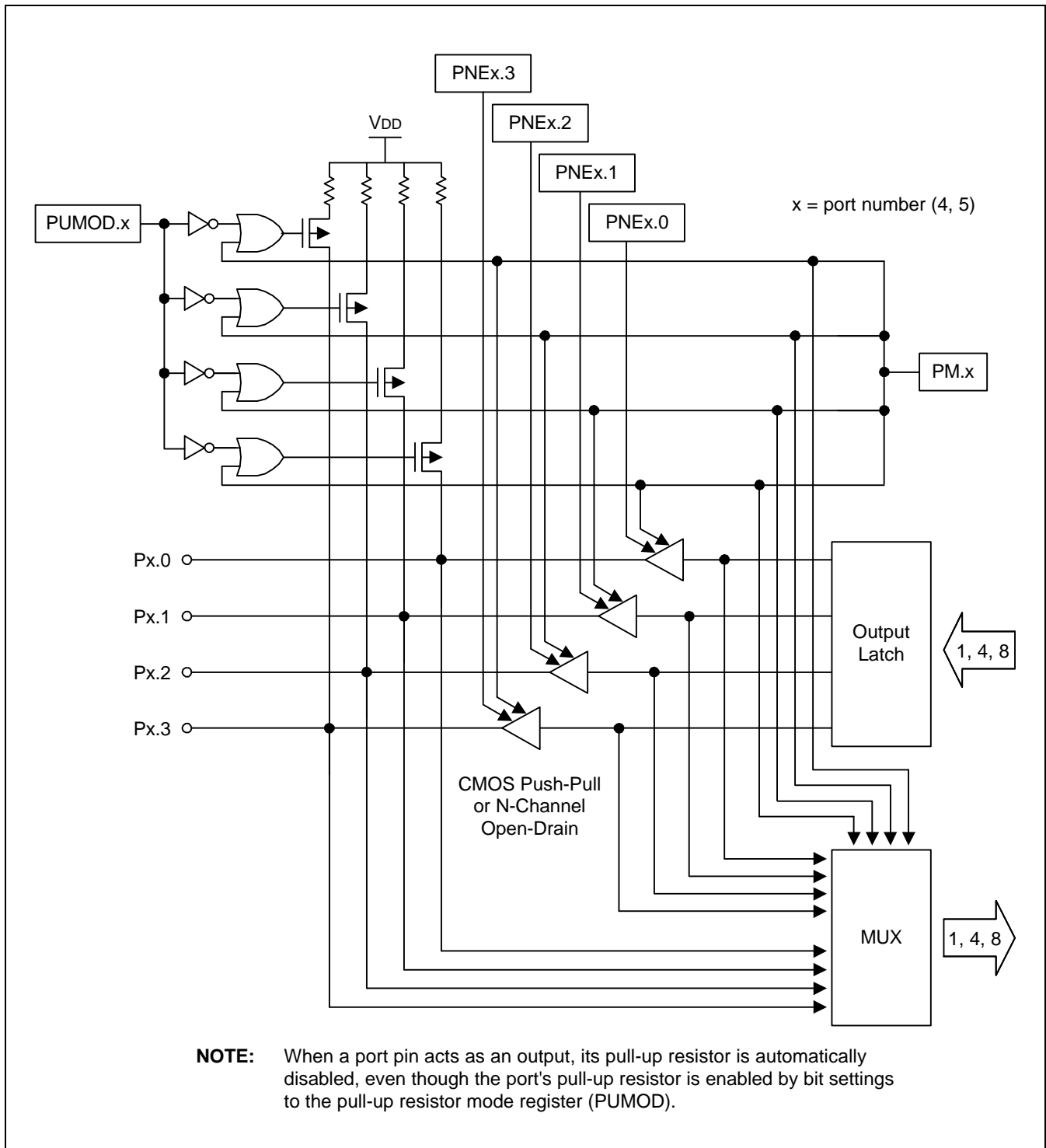


Figure 10-5. Port 4 and 5 Circuit Diagram

PORT 7 CIRCUIT DIAGRAM

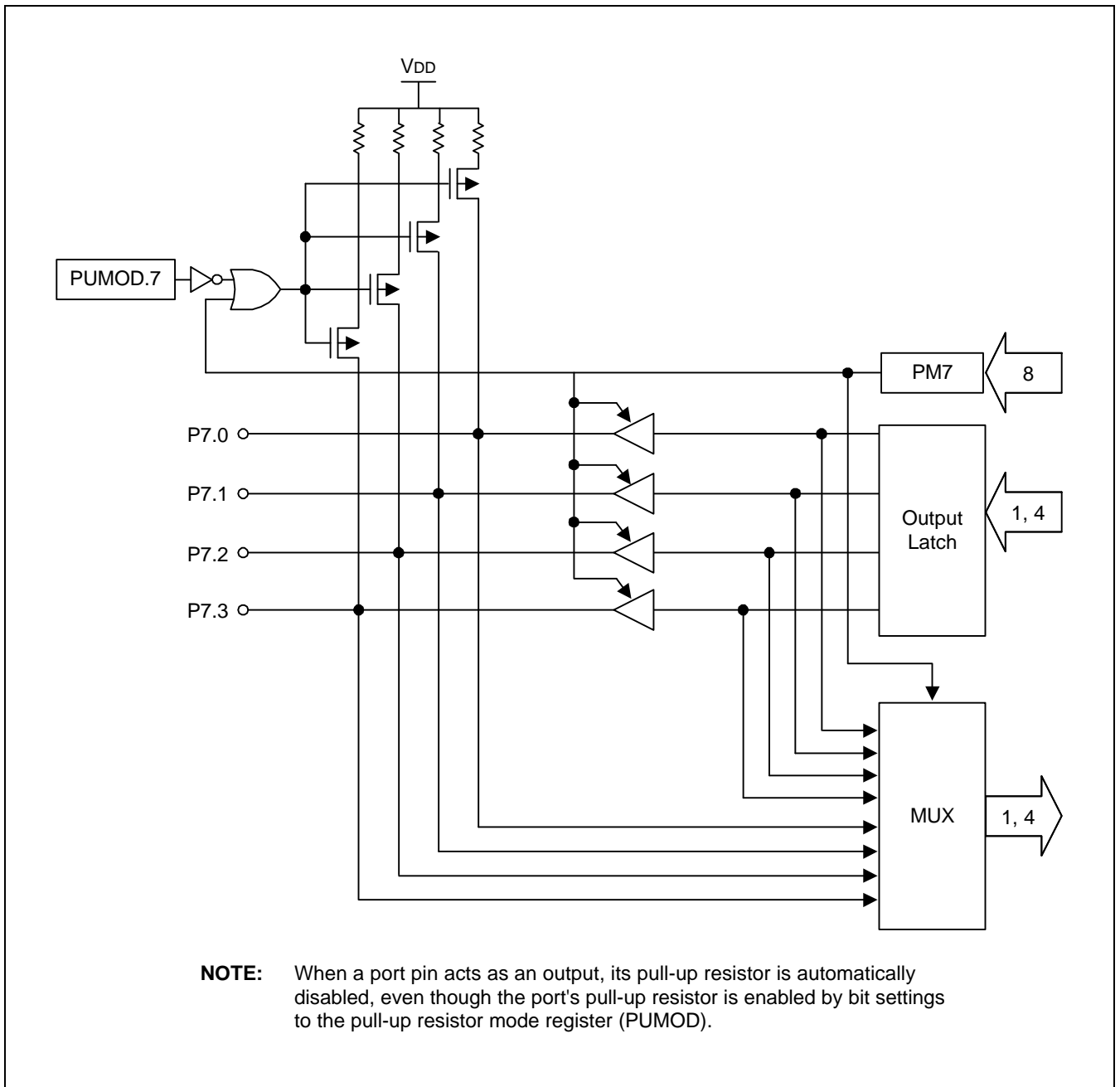


Figure 10-6. Port 7 Circuit Diagram

11

TIMERS and TIMER/COUNTERS

OVERVIEW

The S3C72N8/C72N5 microcontroller has three timer and timer/counter modules:

- 8-bit basic timer (BT)
- 8-bit timer/counter (TC0)
- Watch timer (WT)

The 8-bit basic timer (BT) is the microcontroller's main interval timer. It generates an interrupt request at a fixed time interval when the appropriate modification is made to its mode register. The basic timer also functions as “watchdog” timer and is used to determine clock oscillation stabilization time when stop mode is released by an interrupt and after a RESET.

The 8-bit timer/counter (TC0) is programmable timer/counter that is used primarily for event counting and for clock frequency modification and output. In addition, TC0 generates a clock signal that can be used by the serial I/O interface.

The watch timer (WT) module consists of an 8-bit watch timer mode register, a clock selector, and a frequency divider circuit. Watch timer functions include real-time and watch-time measurement, main and subsystem clock interval timing, buzzer output generation. It also generates a clock signal for the LCD controller.

BASIC TIMER (BT)

OVERVIEW

The 8-bit basic timer (BT) has five functional components:

- Clock selector logic
- 4-bit mode register (BMOD)
- 8-bit counter register (BCNT)
- 8-bit watchdog timer mode register (WDMOD)
- Watchdog timer counter clear flag (WDTCF)

The basic timer generates interrupt requests at precise intervals, based on the frequency of the system clock. Basic timer's counter register, BCNT, outputs timer pulses to the watchdog timer's counter register, WDTCNT when an overflow occurs in BCNT. You can use the basic timer as a "watchdog" timer for monitoring system events or use BT output to stabilize clock oscillation when stop mode is released by an interrupt and following RESET. Bit settings in the basic timer mode register BMOD turns the BT on and off, selects the input clock frequency, and controls interrupt or stabilization intervals.

Interval Timer Function

The measurement of elapsed time intervals is the basic timer's primary function. The standard interval is 256 BT clock pulses.

To restart the basic timer, set bit 3 of the mode register BMOD to logic one. The input clock frequency and the interrupt and stabilization interval are selected by loading the appropriate bit values to BMOD.2–BMOD.0.

The 8-bit counter register, BCNT, is incremented each time a clock signal is detected that corresponds to the frequency selected by BMOD. BCNT continues incrementing as it counts BT clocks until an overflow occurs. An overflow causes the BT interrupt request flag (IRQB) to be set to logic one to signal that the designated time interval has elapsed. An interrupt request is then generated, BCNT is cleared to logic zero, and counting continues from 00H.

Oscillation Stabilization Interval Control

Bits 2–0 of the BMOD register are used to select the input clock frequency for the basic timer. This setting also determines the time interval (also referred to as "wait time") required to stabilize clock signal oscillation when power-down mode is released by an interrupt. When a RESET signal is generated, the standard stabilization interval for system clock oscillation following a RESET is 31.3 ms at 4.19 MHz.

Watchdog Timer Function

The basic timer can also be used as a "watchdog" timer to detect an inadvertent program loop, that is, system or program operation error. For this purpose, instruction that clears the watchdog timer (BITS WDTCF) within a given period should be executed at proper points in a program. If an instruction that clears the watchdog timer is not done within the period and the watchdog timer overflows, reset signal is generated and system is restarted with reset status. An operation of watchdog timer is as follows:

- Write some value (except #5AH) to Watchdog Timer Mode register, WDMOD.
- Each time BCNT overflows, an overflow signal is sent to the watchdog timer counter, WDCNT.
- If WDTCNT overflows, system reset will be generated.

Table 11-1. Basic Timer Register Overview

Register Name	Type	Description	Size	RAM Address	Addressing Mode	Reset Value
BMOD	Control	Controls the clock frequency (mode) of the basic timer; also, the oscillation stabilization interval after power-down mode release or RESET	4-bit	F85H	4-bit write-only; BMOD.3: 1-bit write-only	"0"
BCNT	Counter	Counts clock pulses matching the BMOD frequency setting	8-bit	F86H–F87H	8-bit read-only	"U" (note)
WDMOD	Control	Controls watchdog timer operation.	8-bit	F98H–F99H	8-bit write-only	A5H
WDTCF	Control	Clear the watchdog timer's counter.	1-bit	F9AH.3	1-bit write-only	"0"

NOTE: "U" means that the value is undetermined after a RESET.

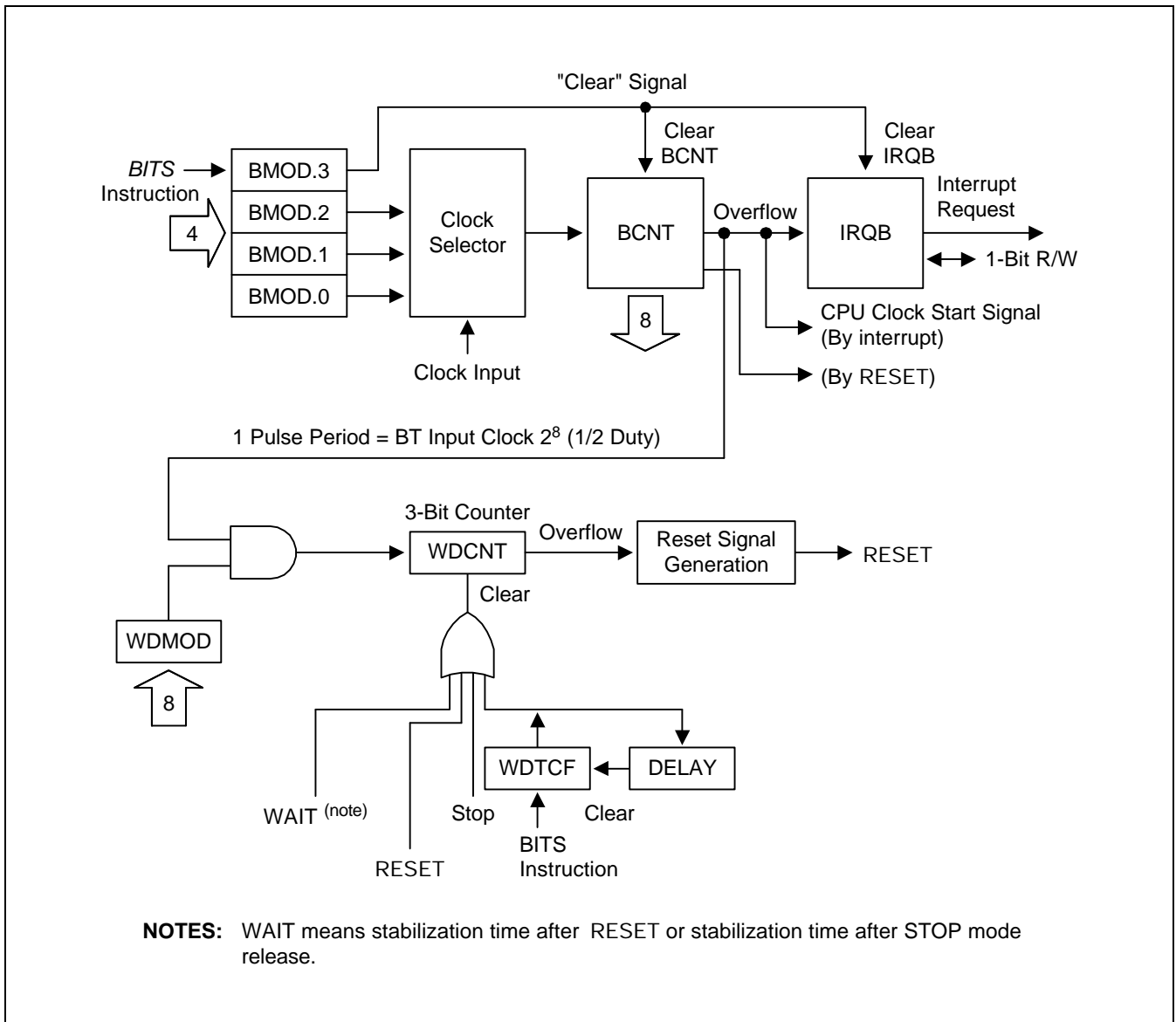


Figure 11-1. Basic Timer Circuit Diagram

BASIC TIMER MODE REGISTER (BMOD)

The basic timer mode register, BMOD, is a 4-bit write-only register. Bit 3, the basic timer start control bit, is also 1-bit addressable. All BMOD values are set to logic zero following RESET and interrupt request signal generation is set to the longest interval. (BT counter operation cannot be stopped.) BMOD settings have the following effects:

- Restart the basic timer;
- Control the frequency of clock signal input to the basic timer;
- Determine time interval required for clock oscillation to stabilize following the release of stop mode by an interrupt.

By loading different values into the BMOD register, you can dynamically modify the basic timer clock frequency during program execution. Four BT frequencies, ranging from $fx/2^{12}$ to $fx/2^5$, are selectable. Since BMOD's reset value is logic zero, the default clock frequency setting is $fx/2^{12}$.

The most significant bit of the BMOD register, BMOD.3, is used to restart the basic timer. When BMOD.3 is set to logic one (enabled) by a 1-bit write instruction, the contents of the BT counter register (BCNT) and the BT interrupt request flag (IRQB) are both cleared to logic zero, and timer operation is restarted.

The combination of bit settings in the remaining three registers — BMOD.2, BMOD.1, and BMOD.0 — determines the clock input frequency and oscillation stabilization interval.

Table 11-2. Basic Timer Mode Register (BMOD) Organization

BMOD.3			Basic Timer Restart Bit	
1			Restart basic timer; clear IRQB, BCNT, and BMOD.3 to "0"	

BMOD.2	BMOD.1	BMOD.0	Basic Timer Input Clock	Interval Time
0	0	0	$fx/2^{12}$ (1.02 kHz)	$2^{20}/fx$ (250 ms)
0	1	1	$fx/2^9$ (8.18 kHz)	$2^{17}/fx$ (31.3 ms)
1	0	1	$fx/2^7$ (32.7 kHz)	$2^{15}/fx$ (7.82 ms)
1	1	1	$fx/2^5$ (131 kHz)	$2^{13}/fx$ (1.95 ms)

NOTES:

1. Clock frequencies and stabilization intervals assume a system oscillator clock frequency (fx) of 4.19 MHz.
2. fxx = selected system clock frequency.
3. Oscillation stabilization time is the time required to stabilize clock signal oscillation after stop mode is released. The data in the table column "Oscillation Stabilization" can also be interpreted as "Interrupt Interval Time."
4. The standard stabilization time for system clock oscillation following a RESET is 31.3 ms at 4.19 MHz.

BASIC TIMER COUNTER (BCNT)

BCNT is an 8-bit counter for the basic timer. It can be addressed by 8-bit read instructions.

RESET leaves the BCNT counter value undetermined. BCNT is automatically cleared to logic zero whenever the BMOD register control bit (BMOD.3) is set to "1" to restart the basic timer. It is incremented each time a clock pulse of the frequency determined by the current BMOD bit settings is detected.

When BCNT has incremented to hexadecimal "FFH" (255 clock pulses), it is cleared to "00H" and an overflow is generated. The overflow causes the interrupt request flag, IRQB, to be set to logic one. When the interrupt request is generated, BCNT immediately resumes counting with incoming clock signal.

NOTE

Always execute a BCNT read operation twice to eliminate the possibility of reading unstable data while the counter is incrementing. If, after two consecutive reads, the BCNT values match, you can select the latter value as valid data. Until the results of the consecutive reads match, however, the read operation must be repeated until the validation condition is met.

BASIC TIMER OPERATION SEQUENCE

The basic timer's sequence of operations may be summarized as follows:

1. Set counter buffer bit (BMOD.3) to logic one to restart the basic timer.
2. BCNT is then incremented by one per each clock pulse corresponding to BMOD selection.
3. BCNT overflows if BCNT = 255 (BCNT = FFH).
4. When an overflow occurs, the IRQB flag is set by hardware to logic one.
5. The interrupt request is generated.
6. BCNT is then cleared by hardware to logic zero.
7. Basic timer resumes counting clock pulses.

PROGRAMMING TIP — Using the Basic Timer

1. To read the basic timer count register (BCNT):

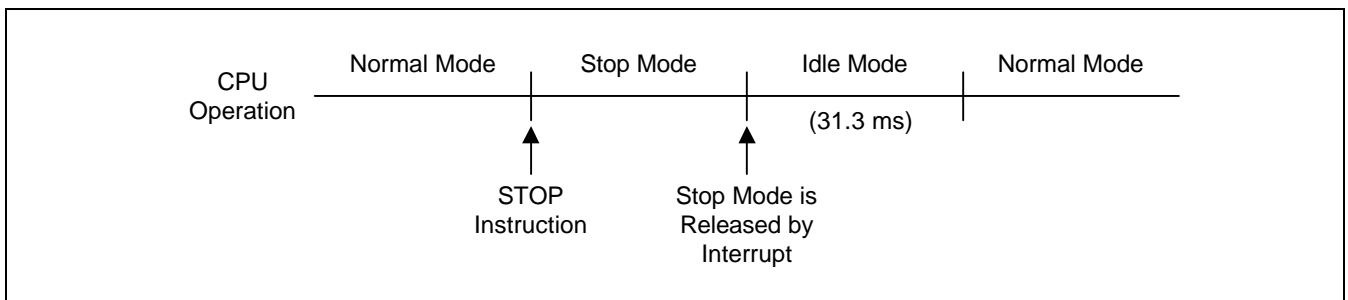
```

          BITS      EMB
          SMB      15
BCNTR   LD      EA,BCNT
          LD      YZ,EA
          LD      EA,BCNT
          CPSE   EA,YZ
          JR      BCNTR
  
```

2. When stop mode is released by an interrupt, set the oscillation stabilization interval to 31.3 ms at 4.19 MHz:

```

          BITS      EMB
          SMB      15
          LD      A,#0BH
          LD      BMOD,A           ; Wait time is 31.3 ms
          NOP
          STOP                    ; Get into stop for power-down mode
          NOP
          NOP
          NOP
  
```



3. To set the basic timer interrupt interval time to 1.95 ms (at 4.19 MHz):

```

          BITS      EMB
          SMB      15
          LD      A,#0FH
          LD      BMOD,A
          EI
          BITS      IEB           ; Basic timer interrupt enable flag is set to "1"
  
```

4. Clear BCNT and the IRQB flag and restart the basic timer:

```

          BITS      EMB
          SMB      15
          BITS      BMOD.3
  
```

WATCHDOG TIMER MODE REGISTER (WDMOD)

The watchdog timer mode register, WDMOD, is a 8-bit write-only register located at RAM address F98H–F99H. WDMOD register controls to enable or disable the watchdog function. WDMOD values are set to logic "A5H" following RESET and this value enables the watchdog timer, and watchdog timer is set to the longest interval because BT overflow signal is generated with the longest interval.

WDMOD	Watchdog Timer Enable/Disable Control
5AH	Disable watchdog timer function
Any other value	Enable watchdog timer function

WATCHDOG TIMER COUNTER (WDCNT)

The watchdog timer counter, WDCNT, is a 3-bit counter. WDCNT is automatically cleared to logic zero, and restarts whenever the WDTCF register control bit is set to "1". RESET, stop, and wait signal clears the WDCNT to logic zero also.

WDCNT increments each time a clock pulse of the overflow frequency determined by the current BMOD bit setting is generated. When WDCNT has incremented to hexadecimal "07H", it is cleared to "00H" and an overflow is generated. The overflow causes the system RESET. When the interrupt request is generated, BCNT immediately resumes counting incoming clock signals.

WATCHDOG TIMER COUNTER CLEAR FLAG (WDTCF)


The watchdog timer counter clear flag, WDTCF, is a 1-bit write instruction. When WDTCF is set to one, it clears the WDCNT to zero and restarts the WDCNT. WDTCF register bits 2–0 are always logic zero.

Table 11-3. Watchdog Timer Interval Time

BMOD	BT Input Clock (frequency)	WDCNT Input Clock (frequency)	WDT Interval Time	Main Clock	Sub Clock
x000b	$fx/2^{12}$	$fx/(2^{12} \times 2^8)$	$fx/2^{12} \times 2^8 \times 2^3$	1.75–2 sec	224–256 sec
x011b	$fx/2^9$	$fx/(2^9 \times 2^8)$	$fx/2^9 \times 2^8 \times 2^3$	218.7–250 ms	28–32 sec
x101b	$fx/2^7$	$fx/(2^7 \times 2^8)$	$fx/2^7 \times 2^8 \times 2^3$	54.6–62.5 ms	7–8 sec
x111b	$fx/2^5$	$fx/(2^5 \times 2^8)$	$fx/2^5 \times 2^8 \times 2^3$	13.6–15.6 ms	1.75–2 sec

NOTES:

1. Clock frequencies assume a system oscillator clock frequency (fx) of: 4.19 MHz Main clock or 32.768 kHz Sub clock
2. fx = system clock frequency.
3. If the WDMOD changes such as disable and enable, you must set WDTCF flag to "1" for starting WDCNT from zero state.

 **PROGRAMMING TIP — Using the Watchdog Timer**

```

RESET      DI
           BITS      EMB
           SMB      15
           LD        EA,#00H
           LD        SP,EA
           .
           .
           .
           LD        A,#0DH          ; WDCNT input clock is 7.82 ms
           LD        BMOD,A
           .
           .
           .
MAIN       BITS      WDTCF          ; Main routine operation period must be shorter than
           .                    ; watchdog
           .                    ; timer's period
           .
           JP        MAIN

```

8-BIT TIMER/COUNTER 0 (TC0)

OVERVIEW

Timer/counter 0 (TC0) is used to count system "events" by identifying the transition (high-to-low or low-to-high) of incoming square wave signals. To indicate that an event has occurred, or that a specified time interval has elapsed, TC0 generates an interrupt request. By counting signal transitions and comparing the current counter value with the reference register value, TC0 can be used to measure specific time intervals.

TC0 has a reloadable counter that consists of two parts: an 8-bit reference register (TREF0) into which you write the counter reference value, and an 8-bit counter register (TCNT0) whose value is automatically incremented by counter logic.

An 8-bit mode register, TMOD0, is used to activate the timer/counter and to select the basic clock frequency to be used for timer/counter operations. To dynamically modify the basic frequency, new values can be loaded into the TMOD0 register during program execution.

TC0 FUNCTION SUMMARY

8-bit programmable timer	Generates interrupts at specific time intervals based on the selected clock frequency.
External event counter	Counts various system "events" based on edge detection of external clock signals at the TC0 input pin, TCL0. To start the event counting operation, TMOD0.2 is set to "1" and TMOD0.6 is cleared to "0".
Arbitrary frequency output	Outputs selectable clock frequencies to the TC0 output pin, TCLO0.
External signal divider	Divides the frequency of an incoming external clock signal according to a modifiable reference value (TREF0), and outputs the modified frequency to the TCLO0 pin.
Serial I/O clock source	Outputs a modifiable clock signal for use as the SCK clock source.

TC0 COMPONENT SUMMARY

Mode register (TMOD0)	Activates the timer/counter and selects the internal clock frequency or the external clock source at the TCL0 pin.
Reference register (TREF0)	Stores the reference value for the desired number of clock pulses between interrupt requests.
Counter register (TCNT0)	Counts internal or external clock pulses based on the bit settings in TMOD0 and TREF0.
Clock selector circuit	Together with the mode register (TMOD0), lets you select one of four internal clock frequencies or an external clock.
8-bit comparator	Determines when to generate an interrupt by comparing the current value of the counter register (TCNT0) with the reference value previously programmed into the reference register (TREF0).
Output latch (TOL0)	Where a clock pulse is stored pending output to the serial I/O circuit or to the TC0 output pin, TCLO0. When the contents of the TCNT0 and TREF0 registers coincide, the timer/counter interrupt request flag (IRQT0) is set to "1", the status of TOL0 is inverted, and an interrupt is generated.
Output enable flag (TOE0)	Must be set to logic one before the contents of the TOL0 latch can be output to TCLO0.
Interrupt request flag (IRQT0)	Cleared when TC0 operation starts and the TC0 interrupt service routine is executed and set to 1 whenever the counter value and reference value coincide.
Interrupt enable flag (IET0)	Must be set to logic one before the interrupt requests generated by timer/counter 0 can be processed.

Table 11-4. TC0 Register Overview

Register Name	Type	Description	Size	RAM Address	Addressing Mode	Reset Value
TMOD0	Control	Controls TC0 enable/disable (bit 2); clears and resumes counting operation (bit 3); sets input clock and clock frequency (bits 6–4)	8-bit	F90H–F91H	8-bit write-only; (TMOD0.3 is also 1-bit writeable)	"0"
TCNT0	Counter	Counts clock pulses matching the TMOD0 frequency setting	8-bit	F94H–F95H	8-bit read-only	"0"
TREF0	Reference	Stores reference value for the timer/counter 0 interval setting	8-bit	F96H–F97H	8-bit write-only	FFH
TOE0	Flag	Controls timer/counter 0 output to the TCLO0 pin	1-bit	F92H.2	1-bit write-only	"0"

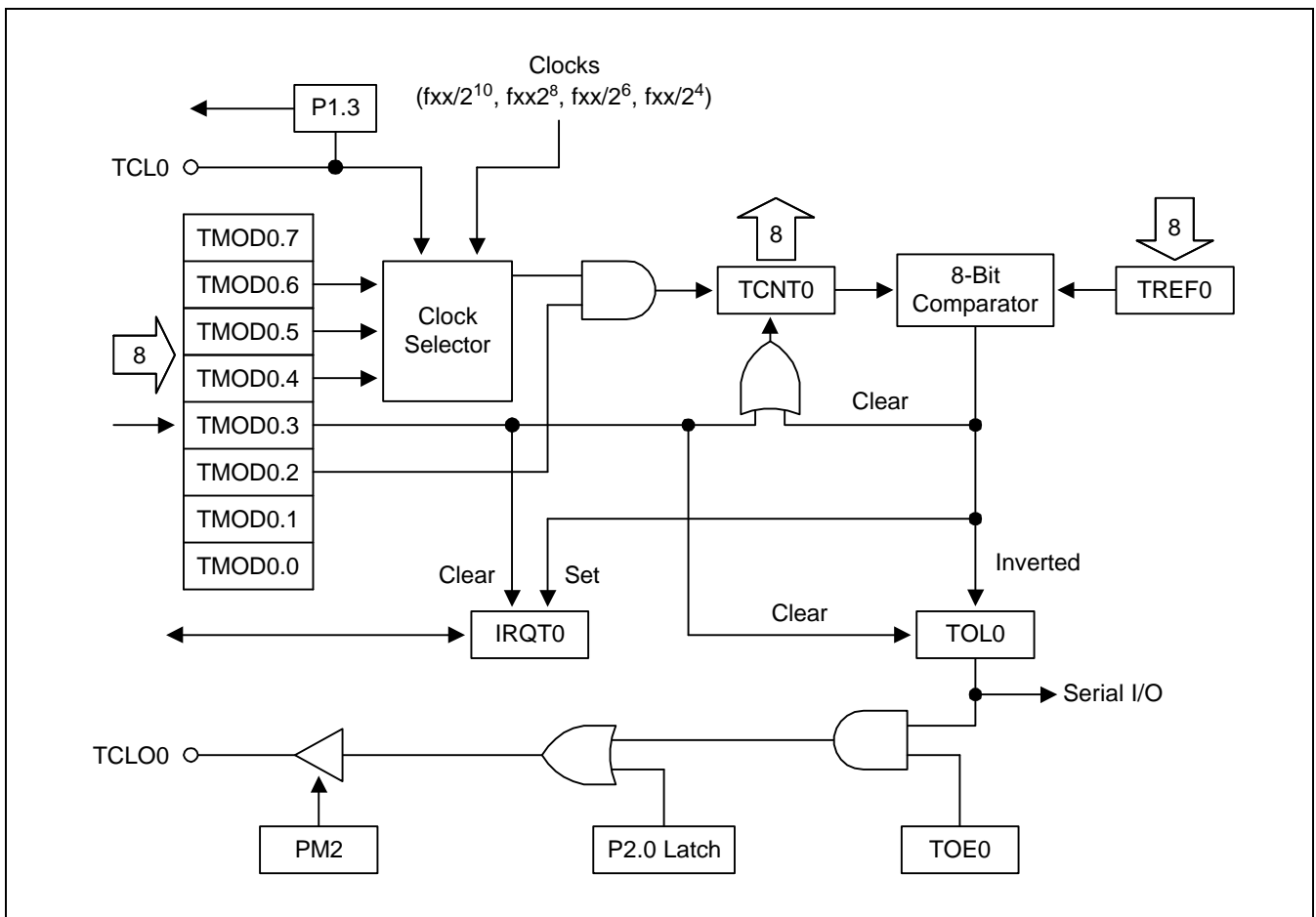


Figure 11-2. TC0 Circuit Diagram

TC0 ENABLE/DISABLE PROCEDURE**Enable Timer/Counter 0**

- Set TMOD0.2 to logic one
- Set the TC0 interrupt enable flag IET0 to logic one
- Set TMOD0.3 to logic one

TCNT0, IRQT0, and TOL0 are cleared to logic zero, and timer/counter operation starts.

Disable Timer/Counter 0

- Set TMOD0.2 to logic zero

Clock signal input to the counter register TCNT0 is halted. The current TCNT0 value is retained and can be read if necessary.

TC0 PROGRAMMABLE TIMER/COUNTER FUNCTION

Timer/counter 0 can be programmed to generate interrupt requests at various intervals based on the selected system clock frequency. Its 8-bit TC0 mode register TMOD0 is used to activate the timer/counter and to select the clock frequency.

The reference register TREF0 stores the value for the number of clock pulses to be generated between interrupt requests. The counter register, TCNT0, counts the incoming clock pulses, which are compared to the TREF0 value as TCNT0 is incremented. When there is a match ($TREF0 = TCNT0$), an interrupt request is generated.

To program timer/counter 0 to generate interrupt requests at specific intervals, choose one of four internal clock frequencies (divisions of the system clock, f_{xx}) and load a counter reference value into the TREF0 register. TCNT0 is incremented each time an internal counter pulse is detected with the reference clock frequency specified by TMOD0.4–TMOD0.6 settings.

To generate an interrupt request, the TC0 interrupt request flag (IRQT0) is set to logic one, the status of TOL0 is inverted, and the interrupt is generated. The content of TCNT0 is then cleared to 00H and TC0 continues counting. The interrupt request mechanism for TC0 includes an interrupt enable flag (IET0) and an interrupt request flag (IRQT0).

TC0 OPERATION SEQUENCE

The general sequence of operations for using TC0 can be summarized as follows:

1. Set TMOD0.2 to "1" to enable TC0.
2. Set TMOD0.6 to "1" to enable the system clock (f_{xx}) input.
3. Set TMOD0.5 and TMOD0.4 bits to desired internal frequency ($f_{xx}/2^n$).
4. Load a value to TREF0 to specify the interval between interrupt requests.
5. Set the TC0 interrupt enable flag (IET0) to "1".
6. Set TMOD0.3 bit to "1" to clear TCNT0, IRQT0, and TOL0, and start counting.
7. TCNT0 increments with each internal clock pulse.
8. When the comparator shows $TCNT0 = TREF0$, the IRQT0 flag is set to "1" and an interrupt request is generated.
9. Output latch (TOL0) logic toggles high or low.
10. TCNT0 is cleared to 00H and counting resumes.
11. Programmable timer/counter operation continues until TMOD0.2 is cleared to "0".

TC0 EVENT COUNTER FUNCTION

Timer/counter 0 can monitor or detect system "events" by using the external clock input at the TCL0 pin as the counter source. The TC0 mode register selects rising or falling edge detection for incoming clock signals. The counter register TCNT0 is incremented each time the selected state transition of the external clock signal occurs.

With the exception of the different TMOD0.4–TMOD0.6 settings, the operation sequence for TC0's event counter function is identical to its programmable timer/counter function. To activate the TC0 event counter function,

- Set TMOD0.2 to "1" to enable TC0;
- Clear TMOD0.6 to "0" to select the external clock source at the TCL0 pin;
- Select TCL0 edge detection for rising or falling signal edges by loading the appropriate values to TMOD0.5 and TMOD0.4.

Table 11-5. TMOD0 Settings for TCL0 Edge Detection

TMOD0.5	TMOD0.4	TCL0 Edge Detection
0	0	Rising edges
0	1	Falling edges

TC0 CLOCK FREQUENCY OUTPUT

Using timer/counter 0, a modifiable clock frequency can be output to the TC0 clock output pin, TCLO0. To select the clock frequency, load the appropriate values to the TC0 mode register, TMOD0. The clock interval is selected by loading the desired reference value into the reference register TREF0. To enable the output to the TCLO0 pin, the following conditions must be met:

- TC0 output enable flag TOE0 must be set to "1"
- I/O mode flag for P2.0 must be set to output mode ("1")
- Output latch value for P2.0 must be set to "0"

In summary, the operational sequence required to output a TC0-generated clock signal to the TCLO0 pin is as follows:

1. Load a reference value to TREF0.
2. Set the internal clock frequency in TMOD0.
3. Initiate TC0 clock output to TCLO0 (TMOD0.2 = "1").
4. Set P2.0 mode flag to "1".
5. Clear P2.0 output latch to "0".
6. Set TOE0 flag to "1".

Each time TCNT0 overflows and an interrupt request is generated, the state of the output latch TOL0 is inverted and the TC0-generated clock signal is output to the TCLO0 pin.

 **PROGRAMMING TIP — TC0 Signal Output to the TCLO0 Pin**

Output a 30 ms pulse width signal to the TCLO0 pin:

BITS	EMB	
SMB	15	
LD	EA,#79H	
LD	TREF0,EA	
LD	EA,#4CH	
LD	TMOD0,EA	
LD	EA,#04H	
LD	PMG2,EA	; P2.0 ← output mode
BITR	P2.0	; Clear P2.0 output latch
BITS	TOE0	

TC0 SERIAL I/O CLOCK GENERATION

Timer/counter 0 can supply a clock signal to the clock selector circuit of the serial I/O interface for data shifter and clock counter operations. (These internal SIO operations are controlled in turn by the SIO mode register, SMOD). This clock generation function enables you to adjust data transmission rates across the serial interface.

Use TMOD0 and TREF0 register settings to select the frequency and interval of the TC0 clock signals to be used as SCK input to the serial interface. The generated clock signal is then sent directly to the serial I/O clock selector circuit (the TOE0 flag may be disabled).

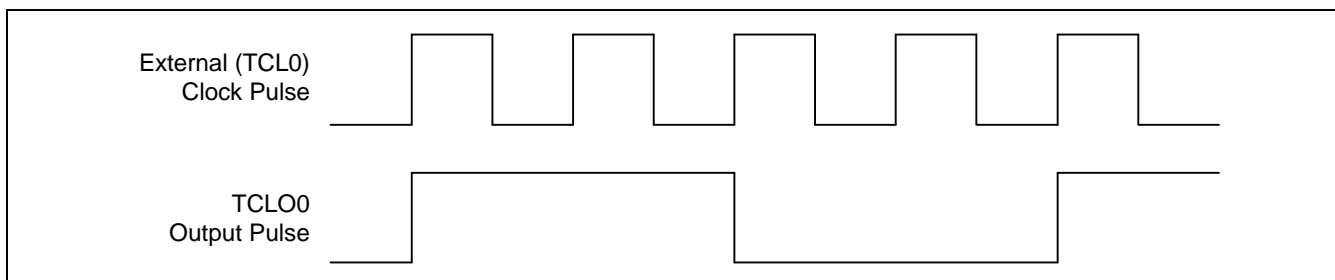
TC0 EXTERNAL INPUT SIGNAL DIVIDER

By selecting an external clock source and loading a reference value into the TC0 reference register, TREF0, you can divide the incoming clock signal by the TREF0 value and then output this modified clock frequency to the TCLO0 pin. The sequence of operations used to divide external clock input can be summarized as follows:

1. Load a signal divider value to the TREF0 register.
2. Clear TMOD0.6 to "0" to enable external clock input at the TCL0 pin.
3. Set TMOD0.5 and TMOD0.4 to desired TCL0 signal edge detection.
4. Set port 2.0 mode flag (PM2) to output ("1").
5. Clear P2.0 output latch to "0".
6. Set TOE0 flag to "1" to enable output of the divided frequency to the TCLO0 pin

PROGRAMMING TIP — External TCL0 Clock Output to the TCLO0 Pin

Output external TCL0 clock pulse to the TCLO0 pin (divided by four):



```

BITS      EMB
SMB       15
LD        EA,#01H
LD        TREF0,EA
LD        EA,#0CH
LD        TMOD0,EA
LD        EA,#04H
LD        PMG2,EA      ; P2.0 ← output mode
BITR      P2.0         ; Clear P2.0 output latch
BITS      TOE0

```

TC0 MODE REGISTER (TMOD0)

TMOD0 is the 8-bit mode control register for timer/counter 0. It is addressable by 8-bit write instructions. One bit, TMOD0.3, is also 1-bit writeable. RESET clears all TMOD0 bits to logic zero and disables TC0 operations.

F90H	TMOD0.3	TMOD0.2	"0"	"0"
F91H	"0"	TMOD0.6	TMOD0.5	TMOD0.4

TMOD0.2 is the enable/disable bit for timer/counter 0. When TMOD0.3 is set to "1", the contents of TCNT0, IRQT0, and TOL0 are cleared, counting starts from 00H, and TMOD0.3 is automatically reset to "0" for normal TC0 operation. When TC0 operation stops (TMOD0.2 = "0"), the contents of the TC0 counter register TCNT0 are retained until TC0 is re-enabled.

The TMOD0.6, TMOD0.5, and TMOD0.4 bit settings are used together to select the TC0 clock source. This selection involves two variables:

- Synchronization of timer/counter operations with either the rising edge or the falling edge of the clock signal input at the TCL0 pin, and
- Selection of one of four frequencies, based on division of the incoming system clock frequency, for use in internal TC0 operation.

Table 11-6. TC0 Mode Register (TMOD0) Organization

Bit Name	Setting	Resulting TC0 Function	Address
TMOD0.7	0	Always logic zero	F91H
TMOD0.6	0,1	Specify input clock edge and internal frequency	
TMOD0.5 TMOD0.4			
TMOD0.3	1	Clear TCNT0, IRQT0, and TOL0 and resume counting immediately (This bit is automatically cleared to logic zero immediately after counting resumes.)	F90H
TMOD0.2	0	Disable timer/counter 0; retain TCNT0 contents	
	1	Enable timer/counter 0	
TMOD0.1	0	Always logic zero	
TMOD0.0	0	Always logic zero	

Table 11-7. TMOD0.6, TMOD0.5, and TMOD0.4 Bit Settings

TMOD0.6	TMOD0.5	TMOD0.4	Resulting Counter Source and Clock Frequency
0	0	0	External clock input (TCL0) on rising edges
0	0	1	External clock input (TCL0) on falling edges
1	0	0	$f_{xx}/2^{10}$ (4.09 kHz)
1	0	1	$f_{xx}/2^8$ (16.4 kHz)
1	1	0	$f_{xx}/2^6$ (65.5 kHz)
1	1	1	$f_{xx}/2^4$ (262 kHz)

NOTE: "fxx" = selected system clock of 4.19 MHz.

PROGRAMMING TIP — Restarting TC0 Counting Operation

1. Set TC0 timer interval to 4.09 kHz:

```

BITS      EMB
SMB      15
LD       EA,#4CH
LD       TMOD0,EA
EI
BITS      IET0

```

2. Clear TCNT0, IRQT0, and TOL0 and restart TC0 counting operation:

```

BITS      EMB
SMB      15
BITS      TMOD0.3

```

TC0 COUNTER REGISTER (TCNT0)

The 8-bit counter register for timer/counter 0, TCNT0, is read-only and can be addressed by 8-bit RAM control instructions. RESET sets all TCNT0 register values to logic zero (00H).

Whenever TMOD0.3 is enabled, TCNT0 is cleared to logic zero and counting resumes. TCNT0 register value is incremented at the selected edge each time an incoming pulse with reference clock specified by TMOD0 register (specifically, TMOD0.6, TMOD0.5, and TMOD0.4) is input.

Each time TCNT0 is incremented, the new value is compared with the reference value stored in the TC0 reference buffer, TREF0. When $TCNT0 = TREF0$, a match signal occurs in the comparator, the interrupt request flag, IRQT0, is set to logic one, and an interrupt request is generated to indicate that the specified timer/counter interval has elapsed.

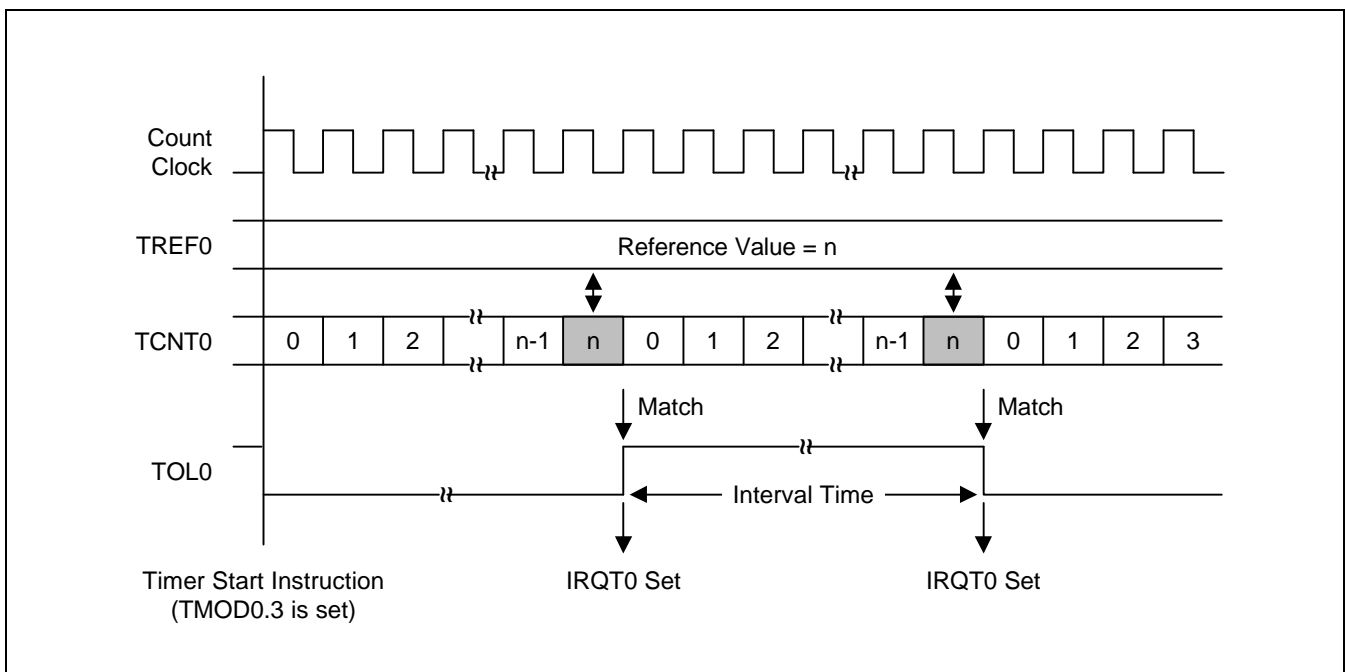


Figure 11-3. TC0 Timing Diagram

TC0 REFERENCE REGISTER (TREF0)

The TC0 reference register TREF0 is an 8-bit write-only register. It is addressable by 8-bit RAM control instructions. RESET initializes the TREF0 value to "FFH".

TREF0 is used to store a reference value to be compared to the incrementing TCNT0 register in order to identify an elapsed time interval. Reference values will differ depending upon the specific function that TC0 is being used to perform — as a programmable timer/counter, event counter, clock signal divider, or arbitrary frequency output source.

During timer/counter operation, the value loaded into the reference register is compared to the TCNT0 value. When $TCNT0 = TREF0$, the TC0 output latch (TOL0) is inverted and an interrupt request is generated to signal the interval or event. The TREF0 value, together with the TMOD0 clock frequency selection, determines the specific TC0 timer interval. Use the following formula to calculate the correct value to load to the TREF0 reference register:

$$TC0 \text{ timer interval} = (TREF0 \text{ value} + 1) \times \frac{1}{TMOD0 \text{ frequency setting}}$$

(TREF0 value \neq 0)

TC0 OUTPUT ENABLE FLAG (TOE0)

The 1-bit timer/counter 0 output enable flag TOE0 controls output from timer/counter 0 to the TCLO0 pin. TOE0 is addressable by 1-bit write instructions.

F92H	(MSB)	"U"	TOE0	"U"	(LSB)
------	-------	-----	-------------	-----	-------

NOTE: "U" indicates unknown state.

When you set the TOE0 flag to "1", the contents of TOL0 can be output to the TCLO0 pin. Whenever a RESET occurs, TOE0 is automatically set to logic zero, disabling all TC0 output. Even when the TOE0 flag is disabled, timer/counter 0 can continue to output an internally-generated clock frequency, via TOL0, to the serial I/O clock selector circuit.

TC0 OUTPUT LATCH (TOL0)

TOL0 is the output latch for timer/counter 0. When the 8-bit comparator detects a correspondence between the value of the counter register TCNT0 and the reference value stored in the TREF0 register, the TOL0 value is inverted — the latch toggles high-to-low or low-to-high. Whenever the state of TOL0 is switched, the TC0 signal is output. TC0 output may be directed to the TCLO0 pin, or it can be output directly to the serial I/O clock selector circuit as the SCK signal.

Assuming TC0 is enabled, when bit 3 of the TMOD0 register is set to "1", the TOL0 latch is cleared to logic zero, along with the counter register TCNT0 and the interrupt request flag, IRQT0, and counting resumes immediately. When TC0 is disabled (TMOD0.2 = "0"), the contents of the TOL0 latch are retained and can be read, if necessary.

PROGRAMMING TIP — Setting a TC0 Timer Interval

To set a 30 ms timer interval for TC0, given $f_{xx} = 4.19$ MHz, follow these steps.

1. Select the timer/counter 0 mode register with a maximum setup time of 62.5 ms (assume the TC0 counter clock = $f_{xx}/2^{10}$, and TREF0 is set to FFH):
2. Calculate the TREF0 value:

$$30 \text{ ms} = \frac{\text{TREF0 value} + 1}{4.09 \text{ kHz}}$$

$$\text{TREF0} + 1 = \frac{30 \text{ ms}}{244 \mu\text{s}} = 122.9 = 7\text{AH}$$

$$\text{TREF0 value} = 7\text{AH} - 1 = 79\text{H}$$

3. Load the value 79H to the TREF0 register:

BITS	EMB
SMB	15
LD	EA,#79H
LD	TREF0,EA
LD	EA,#4CH
LD	TMOD0,EA

WATCH TIMER

OVERVIEW

The watch timer is a multi-purpose timer which consists of three basic components:

- 8-bit watch timer mode register (WMOD)
- Clock selector
- Frequency divider circuit

Watch timer functions include real-time and watch-time measurement and interval timing for the main and subsystem clock. It is also used as a clock source for the LCD controller and for generating buzzer (BUZ) output.

Real-Time and Watch-Time Measurement

To start watch timer operation, set bit 2 of the watch timer mode register (WMOD.2) to logic one. The watch timer starts, the interrupt request flag IRQW is automatically set to logic one, and interrupt requests commence in 0.5-second intervals.

Since the watch timer functions as a quasi-interrupt instead of a vectored interrupt, the IRQW flag should be cleared to logic zero by program software as soon as a requested interrupt service routine has been executed.

Using a System or Subsystem Clock Source

The watch timer can generate interrupts based on the system clock frequency or on the subsystem clock. When the zero bit of the WMOD register is set to "1", the watch timer uses the subsystem clock signal (fxt) as its source; if WMOD.0 = "0", the system clock (fxx) is used as the signal source, according to the following formula:

$$\text{Watch timer clock (fw)} = \frac{\text{System clock (fxx)}}{128} = 32.768 \text{ kHz (fxx} = 4.19 \text{ MHz)}$$

This feature is useful for controlling timer-related operations during stop mode. When stop mode is engaged, the main system clock (fx) is halted, but the subsystem clock continues to oscillate. By using the subsystem clock as the oscillation source during stop mode, the watch timer can set the interrupt request flag IRQW to "1", thereby releasing stop mode.

Clock Source Generation for LCD Controller

The watch timer supplies the clock frequency for the LCD controller (f_{LCD}). Therefore, if the watch timer is disabled, the LCD controller does not operate.

Buzzer Output Frequency Generator

The watch timer can generate a steady 2 kHz, 4 kHz, 8 kHz, or 16 kHz signal to the BUZ pin. To select the desired BUZ frequency, load the appropriate value to the WMOD register. This output can then be used to actuate an external buzzer sound. To generate a BUZ signal, three conditions must be met:

- The WMOD.7 register bit is set to "1"
- The output latch for I/O port 2.3 is cleared to "0"
- The port 2.3 output mode flag (PM2) set to "output" mode

Timing Tests in High-Speed Mode

By setting WMOD.1 to "1", the watch timer will function in high-speed mode, generating an interrupt every 3.91 ms. At its normal speed (WMOD.1 = "0"), the watch timer generates an interrupt request every 0.5 seconds. High-speed mode is useful for timing events for program debugging sequences.

Check Subsystem Clock Level Feature

The watch timer can also check the input level of the subsystem clock by testing WMOD.3. If WMOD.3 is "1", the input level at the XT_{IN} pin is high; if WMOD.3 is "0", the input level at the XT_{IN} pin is low.

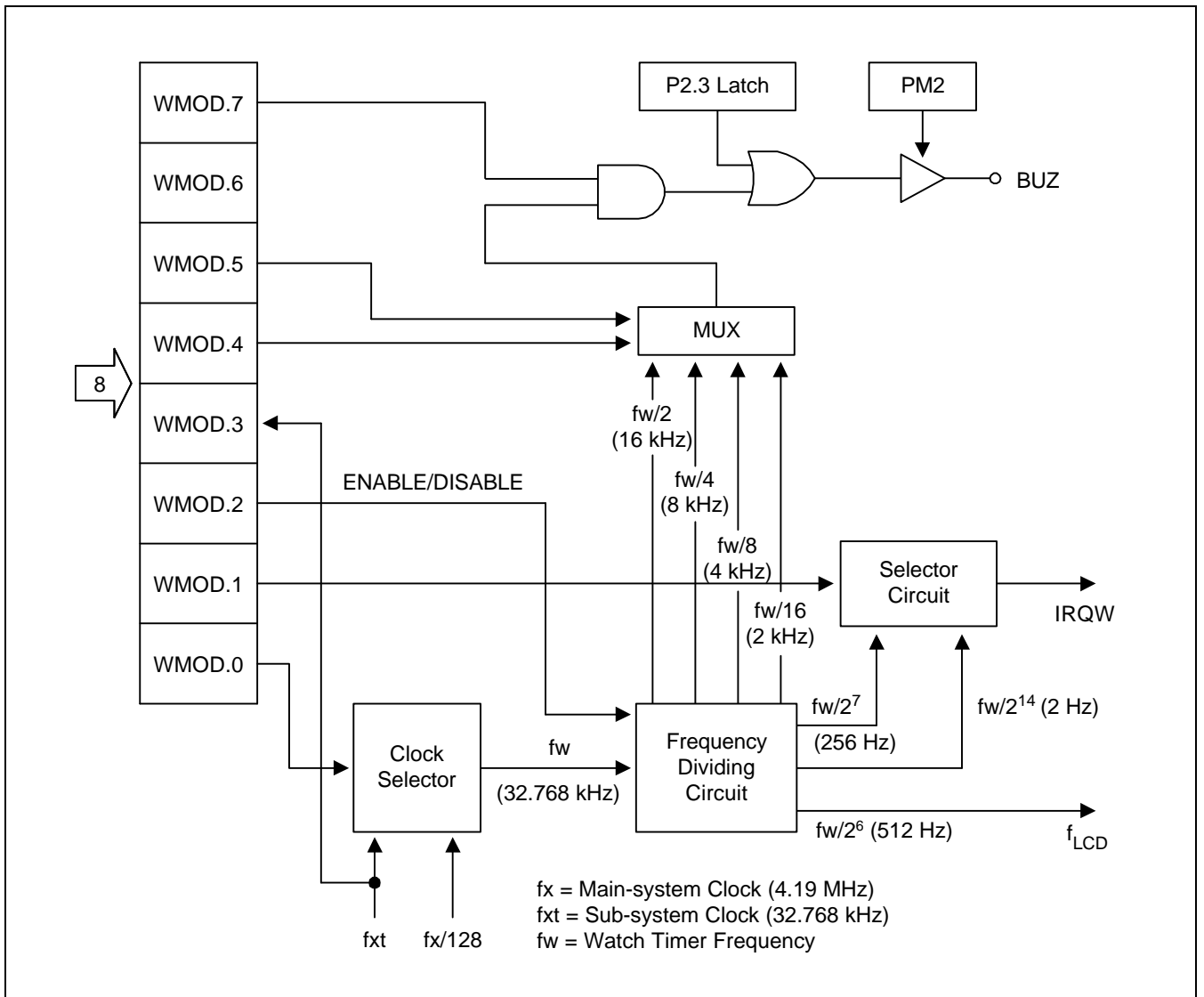


Figure 11-4. Watch Timer Circuit Diagram

WATCH TIMER MODE REGISTER (WMOD)

The watch timer mode register WMOD is used to select specific watch timer operations. It is 8-bit write-only addressable. An exception is WMOD bit 3 (the XT_{IN} input level control bit) which is 1-bit read-only addressable. A RESET automatically sets WMOD.3 to the current input level of the subsystem clock, XT_{IN} (high, if logic one; low, if logic zero), and all other WMOD bits to logic zero.

F88H	WMOD.3	WMOD.2	WMOD.1	WMOD.0
F89H	WMOD.7	"0"	WMOD.5	WMOD.4

In summary, WMOD settings control the following watch timer functions:

- Watch timer clock selection (WMOD.0)
- Watch timer speed control (WMOD.1)
- Enable/disable watch timer (WMOD.2)
- XT_{IN} input level control (WMOD.3)
- Buzzer frequency selection (WMOD.4 and WMOD.5)
- Enable/disable buzzer output (WMOD.7)

Table 11-8. Watch Timer Mode Register (WMOD) Organization

Bit Name	Values	Function	Address	
WMOD.7	0	Disable buzzer (BUZ) signal output	F89H	
	1	Enable buzzer (BUZ) signal output		
WMOD.6	0	Always logic zero		
WMOD.5–.4	0	0		2 kHz buzzer (BUZ) signal output
	0	1		4 kHz buzzer (BUZ) signal output
	1	0		8 kHz buzzer (BUZ) signal output
	1	1		16 kHz buzzer (BUZ) signal output
WMOD.3	0	Input level to XT _{IN} pin is low; 1-bit read only		F88H
	1	Input level to XT _{IN} pin is high; 1-bit read only		
WMOD.2	0	Disable watch timer; clear frequency dividing circuits		
	1	Enable watch timer		
WMOD.1	0	Normal mode; sets IRQW to 0.5 seconds		
	1	High-speed mode; sets IRQW to 3.91 ms		
WMOD.0	0	Select the system clock (f _{xx} /128) as the watch timer clock (fw)		
	1	Select subsystem clock as watch timer clock (fw)		

NOTE: System clock frequency (f_{xx}) is assumed to be 4.19 MHz; subsystem clock (f_{xt}) is assumed to be 32.768 kHz.

 **PROGRAMMING TIP — Using the Watch Timer**

1. Select a subsystem clock as the LCD display clock, a 0.5 second interrupt, and 2 kHz buzzer enable:

```

BITS      EMB
SMB       15
LD        EA,#04H
LD        PMG2,EA      ; P2.3 ← output mode
BITR      P2.3
LD        EA,#85H
LD        WMOD,EA
BITS      IEW

```

2. Sample real-time clock processing method:

```

CLOCK     BTSTZ      IRQW      ; 0.5 second check
          RET        ; No, return
          •          ; Yes, 0.5 second interrupt generation
          •
          •          ; Increment HOUR, MINUTE, SECOND

```

12 LCD CONTROLLER/DRIVER

OVERVIEW

The S3C72N8/C72N5 microcontroller can directly drive an up-to-128-dot (32 segments x 4 commons) LCD panel. Its LCD block has the following components:

- LCD controller/driver
- Display RAM for storing display data
- 32 segment output pins (SEG0–SEG31)
- 4 common output pins (COM0–COM3)
- Four LCD operating power supply pins (V_{LC0} – V_{LC2})

The frame frequency, duty and bias, and the segment pins used for display output, are determined by bit settings in the LCD mode register, LMOD.

The LCD control register, LCON, is used to turn the LCD display on and off, to switch current to the dividing resistors for the LCD display, and to output LCD clock (LCDCK) and synchronizing signal (LCDSY) for LCD display expansion. Data written to the LCD display RAM can be transferred to the segment signal pins automatically without program control.

When a subsystem clock is selected as the LCD clock source, the LCD display is enabled even during main clock stop and idle modes.

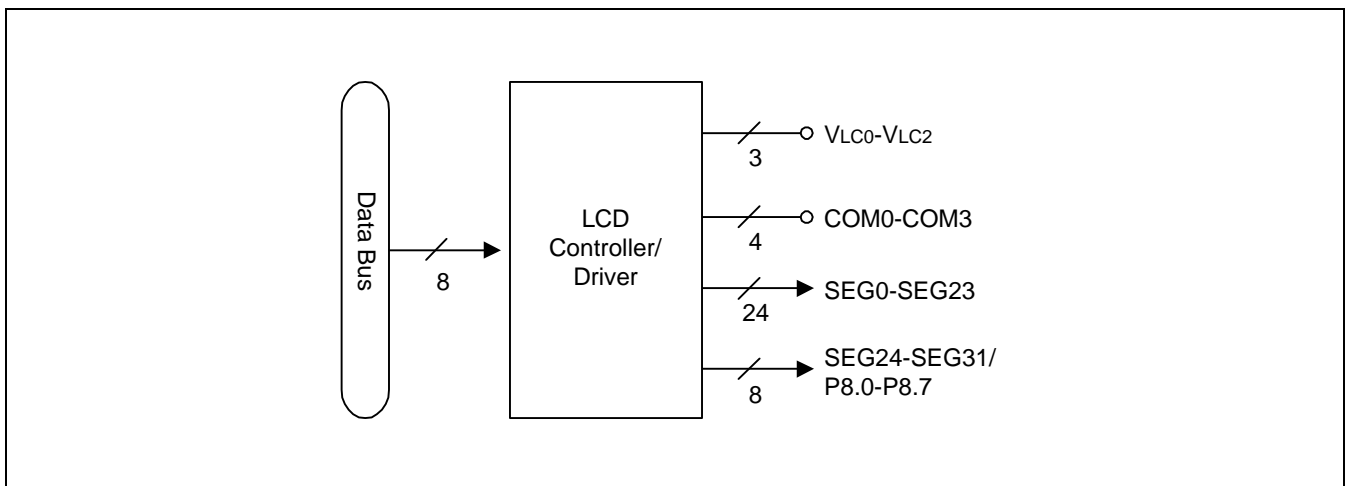


Figure 12-1. LCD Function Diagram

LCD CIRCUIT DIAGRAM

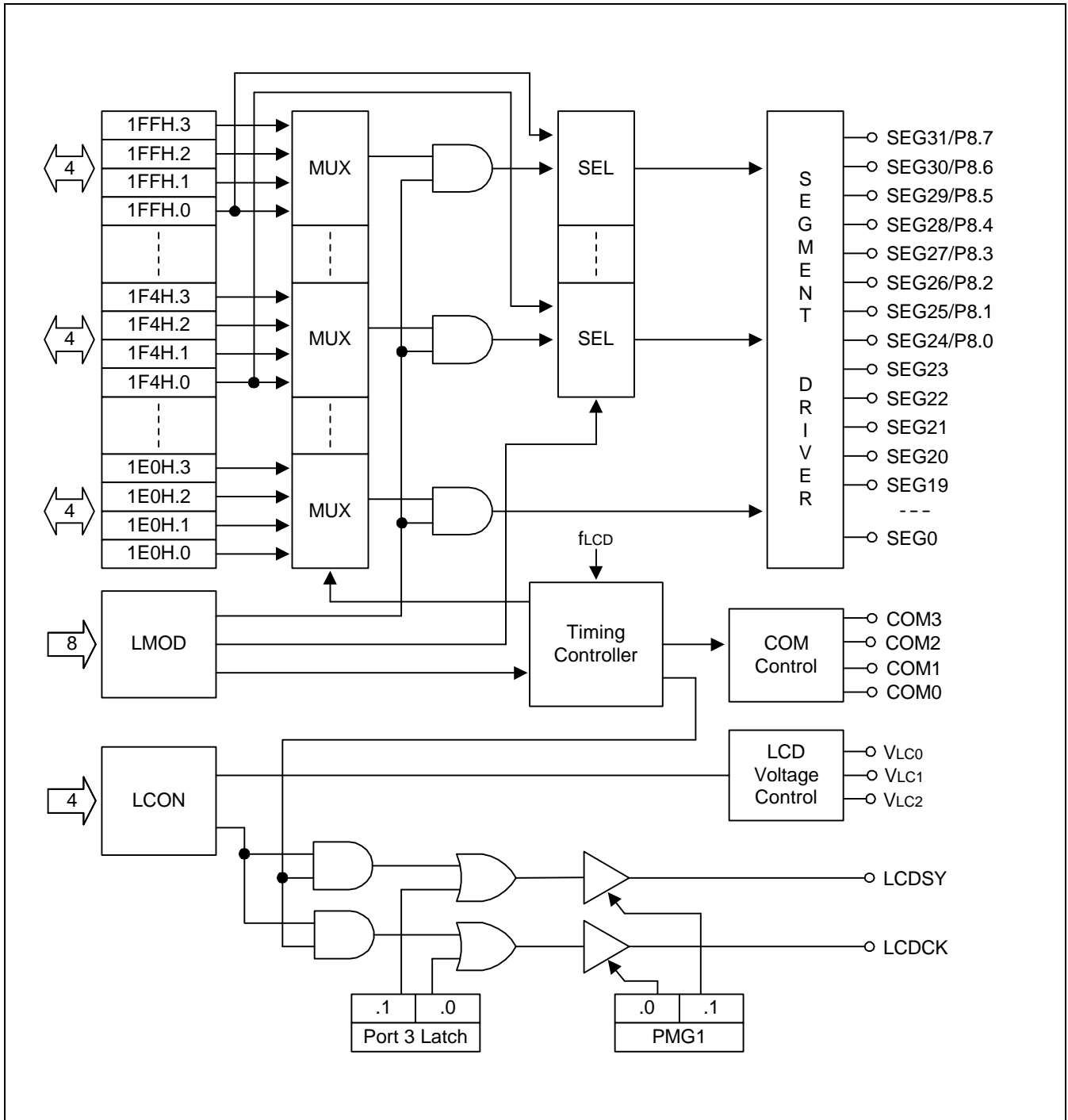


Figure 12-2. LCD Circuit Diagram

LCD RAM ADDRESS AREA

RAM addresses of bank 1 are used as LCD data memory. These locations can be addressed by 1-bit, 4-bit instructions. When the bit value of a display segment is "1", the LCD display is turned on; when the bit value is "0", the display is turned off.

Display RAM data are sent out through segment pins SEG0–SEG31 using a direct memory access (DMA) method that is synchronized with the f_{LCD} signal. RAM addresses in this location that are not used for LCD display can be allocated to general-purpose use.

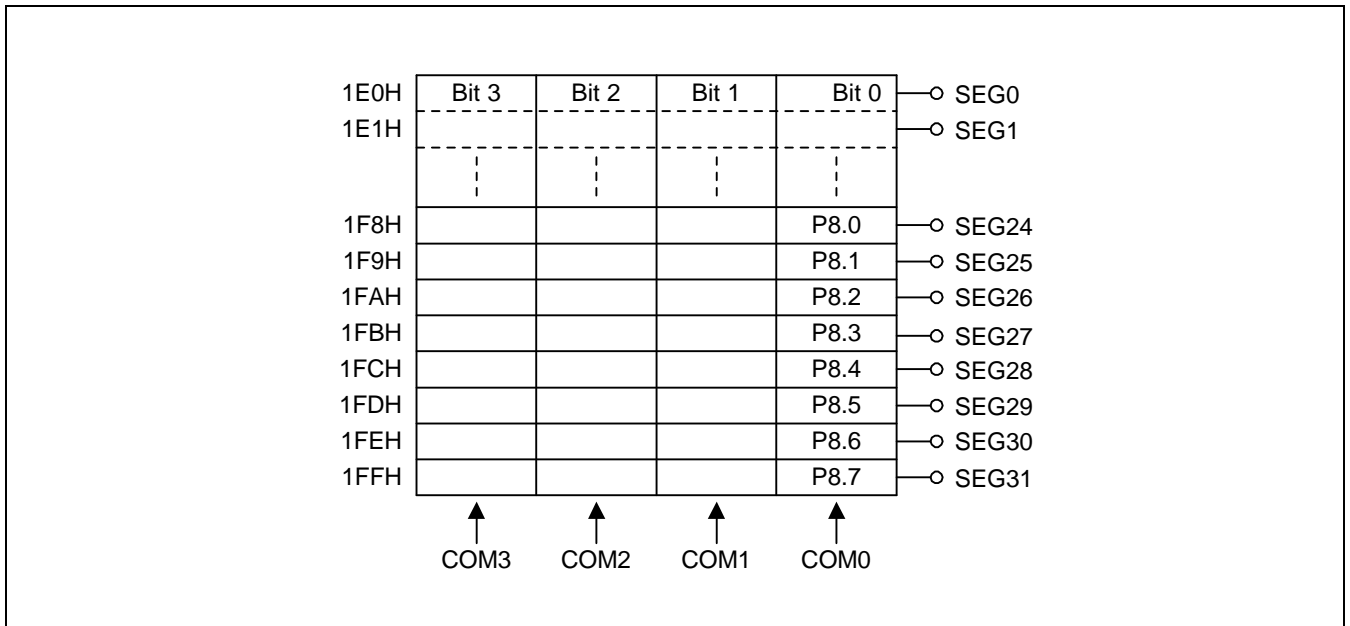


Figure 12-3. LCD Display Data RAM Organization

Table 12-1. Common Signal Pins Used per Duty Cycle

Display Mode	COM0 Pin	COM1 Pin	COM2 Pin	COM3 Pin
Static	Selected	N/C	N/C	N/C
1/2	Selected	Selected	N/C	N/C
1/3	Selected	Selected	Selected	N/C
1/4	Selected	Selected	Selected	Selected

NOTE: N/C = no connection is required.

LCD CONTROL REGISTER (LCON)

The LCD control register (LCON) is used to turn the LCD display on and off, to output LCD clock (LCDCK) and synchronizing signal (LCDSY) for LCD display expansion, and to control the flow of current to dividing resistors in the LCD circuit. Following a RESET, all LCON values are cleared to "0". This turns the LCD display off and stops the flow of current to the dividing resistors.

LCON

"0"	LCON.2	"0"	LCON.0
-----	--------	-----	--------

 F8EH

The effect of the LCON.0 setting is dependent upon the current setting of LMOD.3.

Table 12-2. LCD Control Register (LCON) Organization

LCON Bit	Setting	Description
LCON.3	0	This bit is used for internal testing only; always logic zero.
LCON.2	0	Disable LCDCK and LCDSY signal outputs.
	1	Enable LCDCK and LCDSY signal outputs.
LCON.1	0	Always logic zero.
LCON.0	0	LCD output low, display off; cut off current to dividing resistor, and output port 8 latch contents.
	1	If LMOD.3 = "0": LCD display off; output port 8 latch contents. If LMOD.3 = "1": COM and SEG output in display mode; LCD display on.

Table 12-3. LCON.0 and LMOD.3 Bit Settings

LCON.0	LMOD.3	COM0–COM3	SEG0–SEG31	P8.0–P8.7	
0	–	Output low; LCD display off	Output low; LCD display off	Output latch contents	Cut off current to dividing resistors
1	0	LCD display off	LCD display off	Output latch contents	LCD display off
	1	COM output corresponds to display mode	SEG output corresponds to display mode	Output latch contents	LCD display on

LCD MODE REGISTER (LMOD)

The LCD mode control register LMOD is used to control display mode; LCD clock, segment or port output, and display on/off. LMOD can be manipulated using 8-bit write instructions, bit 3 (LMOD.3) can be also written by 1-bit instructions.

F8CH	LMOD.3	LMOD.2	LMOD.1	LMOD.0
F8DH	LMOD.7	LMOD.6	LMOD.5	LMOD.4

The LCD clock signal, LCDCK, determines the frequency of COM signal scanning of each segment output which is also referred to as the frame frequency. Since LCDCK is generated by dividing the watch timer clock (f_w), the watch timer must have been enabled when the LCD display is turned on. RESET clears the LMOD register values to logic zero.

The LCD display can continue to operate during idle and stop modes if a subsystem clock is used as the watch timer source and running. The LCD mode register LMOD controls the output mode of the 8 pins used for normal outputs (P8.0–P8.7). Bits LMOD.7–6 define the segment output and normal bit output configuration.

Table 12-4. LCD Mode Register (LMOD) Organization

LMOD.7	LMOD.6	LCD Output Segments and 1-Bit Output Pins
0	0	Segments 24–27, and 28–31
0	1	Segments 24–27; 1-bit output at P8.4–P8.7
1	0	Segments 28–31; 1-bit output at P8.0–P8.3
1	1	1-bit output only at P8.0–P8.3 and P8.4–P8.7

LMOD.5	LMOD.4	LCD Clock (LCDCK) Frequency
0	0	32.768 kHz watch timer clock (f_w)/ $2^9 = 64$ Hz
0	1	$f_w/2^8 = 128$ Hz
1	0	$f_w/2^7 = 256$ Hz
1	1	$f_w/2^6 = 512$ Hz

LMOD.3	LMOD.2	LMOD.1	LMOD.0	Duty and Bias Selection for LCD Display
0	–	–	–	LCD Display off
1	0	0	0	1/4 duty, 1/3 bias
1	0	0	1	1/3 duty, 1/3 bias
1	0	1	0	1/2 duty, 1/2 bias
1	0	1	1	1/3 duty, 1/2 bias
1	1	0	0	Static

Table 12-5. LCD Clock Signal (LCDCK), Frame Frequency and LCD sync Signal (LCDSY)

LCDCK frequency	Static	1/2 Duty	1/3 Duty	1/4 Duty
$fw/2^9 = 64$ Hz	64 (16)	32 (16)	21 (21)	16 (16)
$fw/2^8 = 128$ Hz	128 (32)	64 (32)	43 (43)	32 (32)
$fw/2^7 = 256$ Hz	256 (64)	128 (64)	85 (85)	64 (64)
$fw/2^6 = 512$ Hz	512 (128)	256 (128)	171 (171)	128 (128)

NOTES:

1. $fw = 32.768$ kHz
2. The number in parentheses is a frequency for LCDSY.

LCD DRIVE VOLTAGE

LCD Power Supply	Static Mode	1/2 Bias	1/3 Bias
V_{LC0}	V_{LCD}	V_{LCD}	V_{LCD}
V_{LC1}	$2/3 V_{LCD}$	$1/2 V_{LCD}$	$2/3 V_{LCD}$
V_{LC2}	$1/3 V_{LCD}$	$1/2 V_{LCD}$	$1/3 V_{LCD}$
GND	0 V	0 V	0 V

NOTE: The LCD panel display may deteriorate if DC voltage is applied between the common and segment signals. Therefore, always drive the LCD panel with AC voltage.

LCD VOLTAGE DIVIDING RESISTORS

On-chip voltage dividing resistors for the LCD drive power supply can be configured by internal voltage dividing resistors. Using these internal voltage dividing resistors, you can drive either a 3 V or a 5 V LCD display using external bias. Bias pins are connected externally to the V_{LCD} pin so that it can handle the different LCD drive voltages. To cut off the current supply to the voltage dividing resistors, clear LCON.0 when you turn the LCD display off.

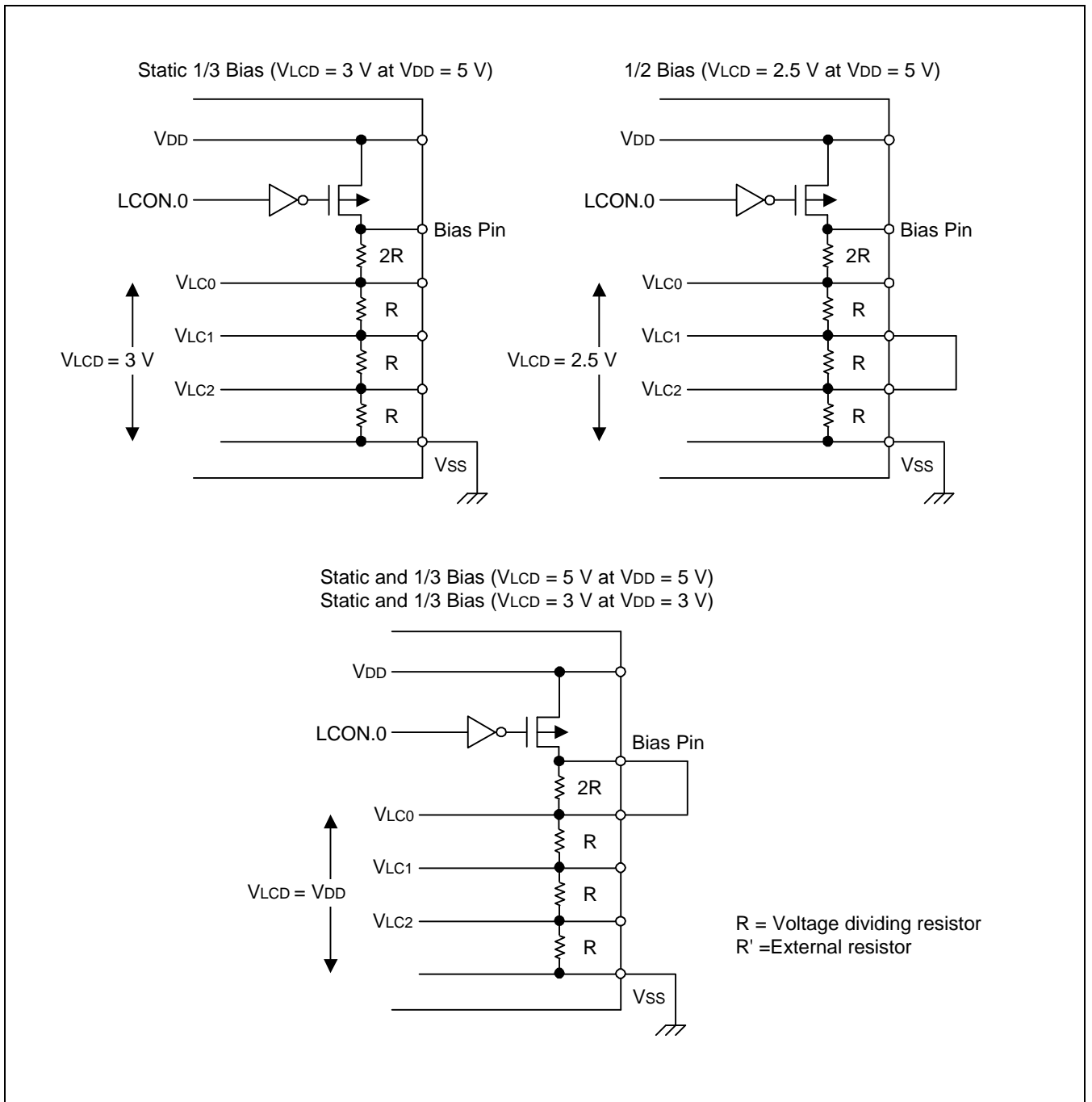


Figure 12-4. Voltage Dividing Resistor Circuit Diagrams

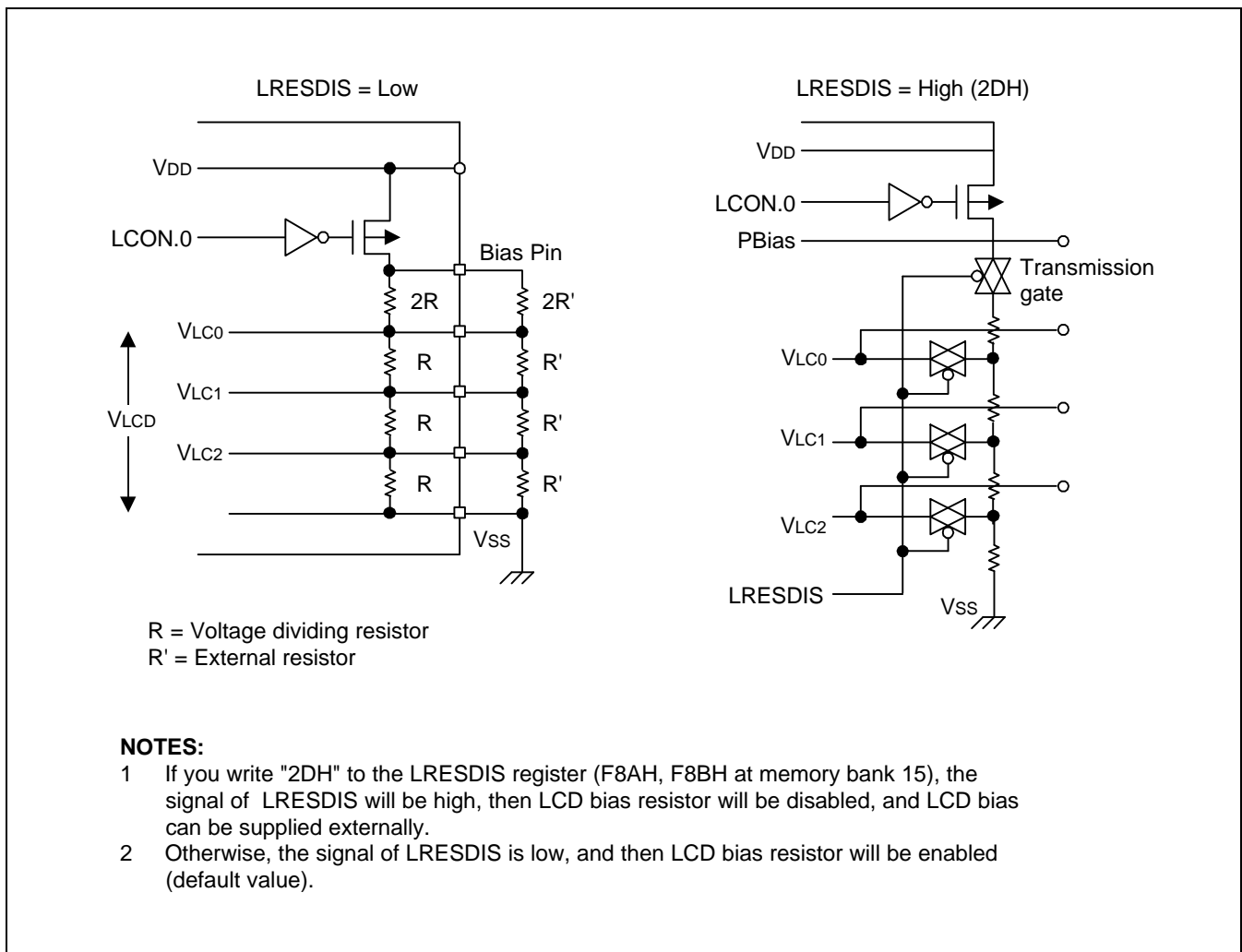


Figure 12-4. Voltage Dividing Resistor Circuit Diagrams (Continued)

Common (COM) Signals

The common signal output pin selection (COM pin selection) varies according to the selected duty cycle. You must therefore be open any unused COM pins according to this guideline:

- In static mode, be open the COM1, COM2, and COM3 pins
- In 1/2 duty mode, be open the COM2 and COM3 pin
- In 1/3 duty mode, be open the COM3 pin

Table 12-6. Common Signal Pins Used Per Duty Cycle

Display Mode	COM0 Pin	COM1 Pin	COM2 Pin	COM3 Pin
Static	Selected	N/C	N/C	N/C
1/2 duty	Selected	Selected	N/C	N/C
1/3 duty	Selected	Selected	Selected	N/C
1/4 duty	Selected	Selected	Selected	Selected

NOTE: "C" means that no connection is required.

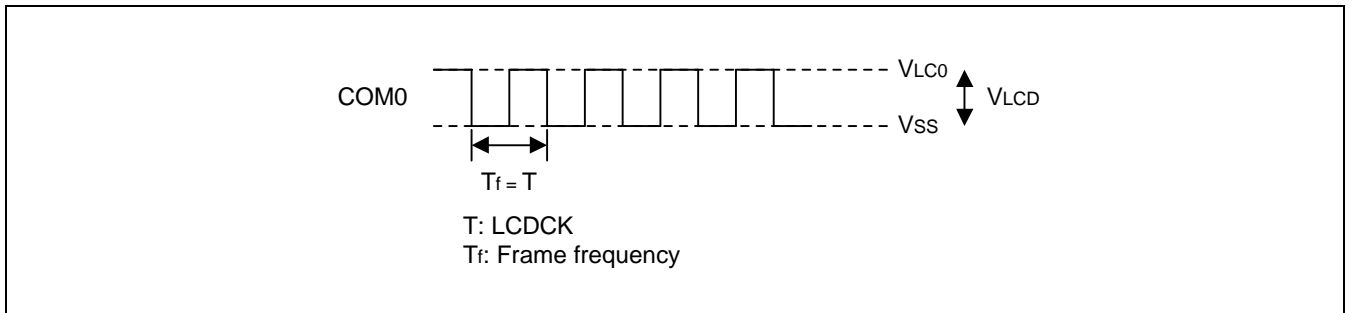


Figure 12-5. LCD Common Signal Waveform (Static)

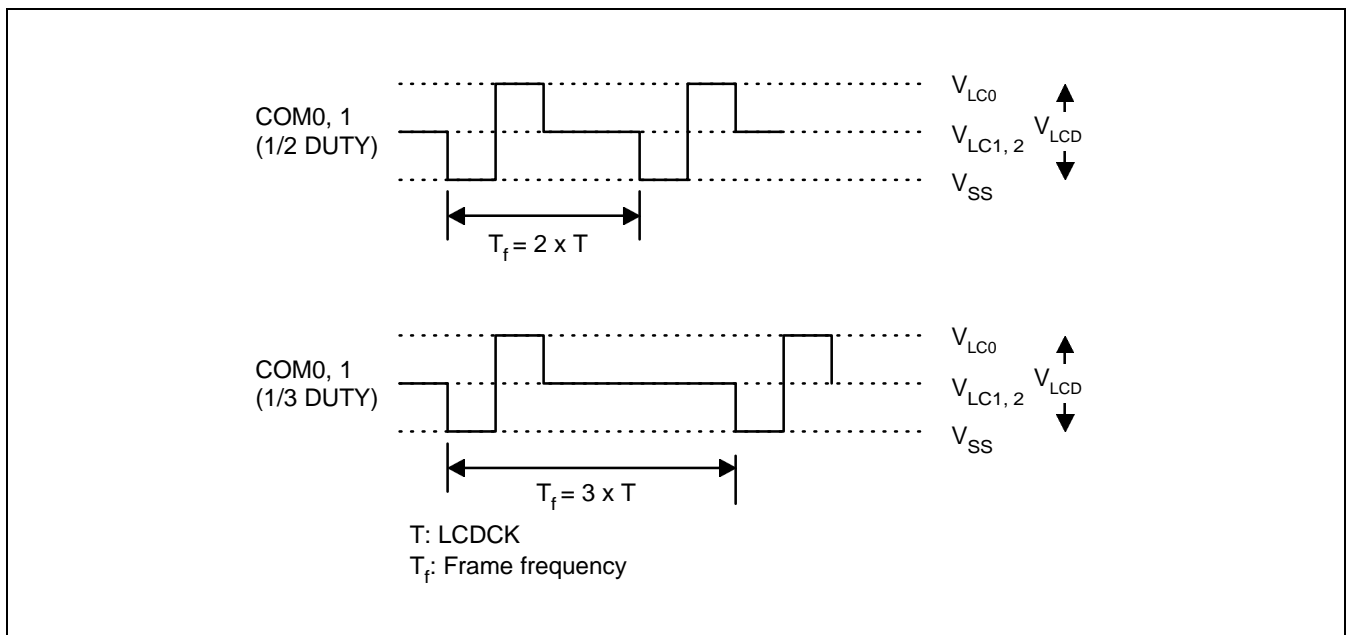


Figure 12-6. LCD Common Signal Waveform at 1/2 Bias (1/2, 1/3 Duty)

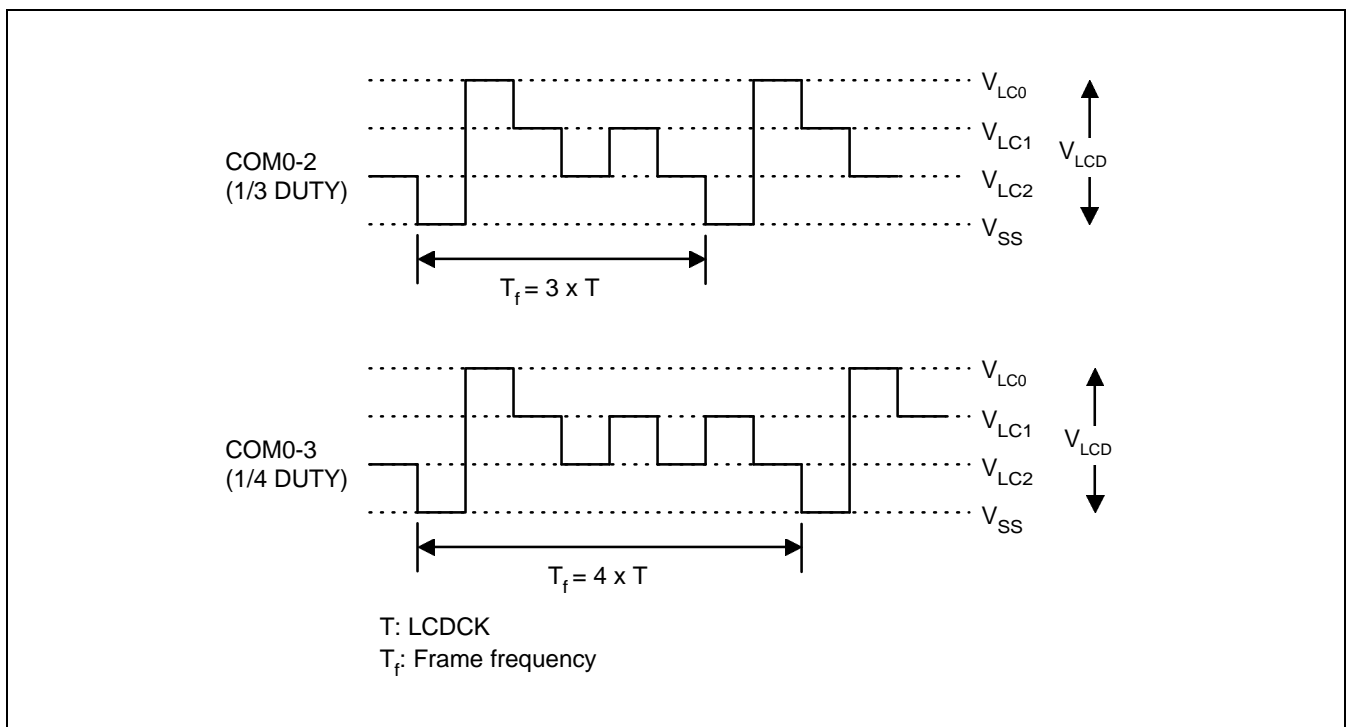


Figure 12-7. LCD Common Signal Waveform at 1/3 Bias (1/3, 1/4 Duty)

SEGMENT (SEG) SIGNALS

The 32 LCD segment signal pins are connected to corresponding display RAM locations at 1E0H–1FFH. Bits 0–3 of the display RAM are synchronized with the common signal output pins COM0, COM1, COM2, and COM3. When the bit value of a display RAM location is "1", a select signal is sent to the corresponding segment pin. When the display bit is "0", a "no-select" signal is sent to the corresponding segment pin. Each bias has select and no-select signals.

Table 12-7. Select/No-Select Signals for LCD Static Display Mode

COM	SEG	Select	No-select
			V_{LC0}/V_{SS}
V_{SS}/V_{LC0}		$-V_{LC0}/+V_{LC0}$	0 V / 0 V

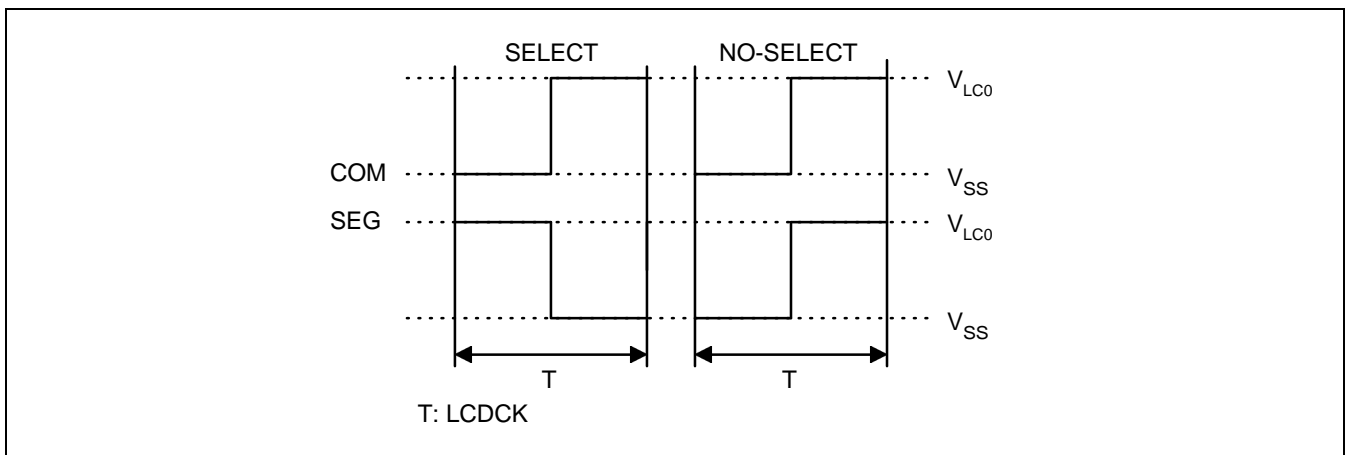


Figure 12-8. Select/No-select Bias Signals in Static Display Mode

Table 12-8. Select/No-Select Signals for LCD 1/2 Bias Display Mode

COM		SEG	Select	Non-select
			V_{LC0}/V_{SS}	V_{SS}/V_{LC0}
Select	V_{SS}/V_{LC0}		$-V_{LC0}/+V_{LC0}$	0 V/ 0 V
Non-select	$V_{LC1} = V_{LC2}$		$-1/2 V_{LCD}/+1/2 V_{LCD}$	$+1/2 V_{LCD}/-1/2 V_{LCD}$

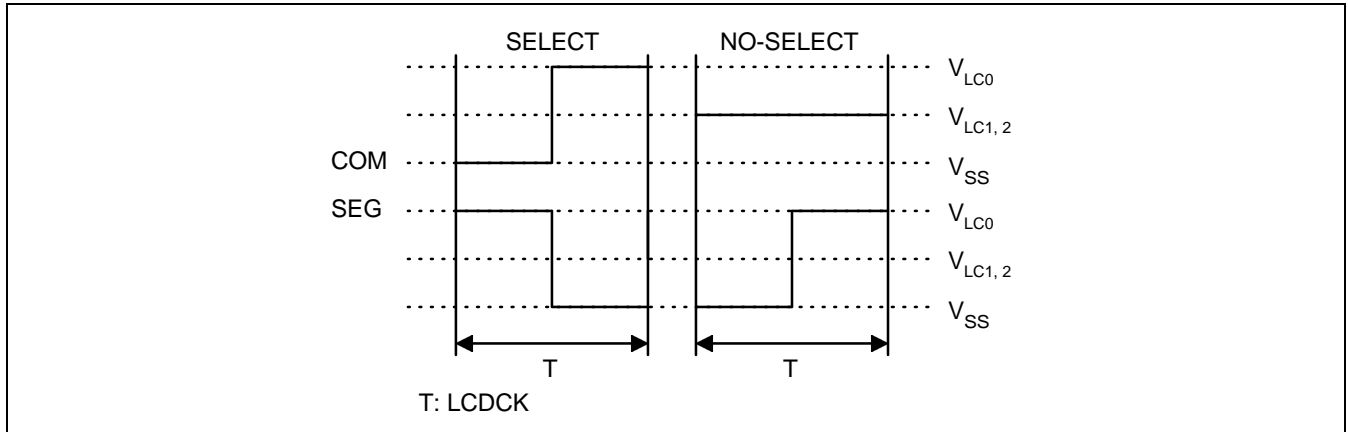


Figure 12-9. Select/No-select Bias Signals in 1/2 Bias Display Mode

Table 12-9. Select/No-Select Signals for LCD 1/3 Bias Display Mode

COM		SEG	Select	Non-select
			V_{LC0}/V_{SS}	V_{SS}/V_{LC0}
Select	V_{SS}/V_{LC0}		$-V_{LC0}/+V_{LC0}$	0 V/ 0 V
Non-select	$V_{LC1} = V_{LC2}$		$-1/3 V_{LCD}/+1/3 V_{LCD}$	$+1/3 V_{LCD}/-1/3 V_{LCD}$

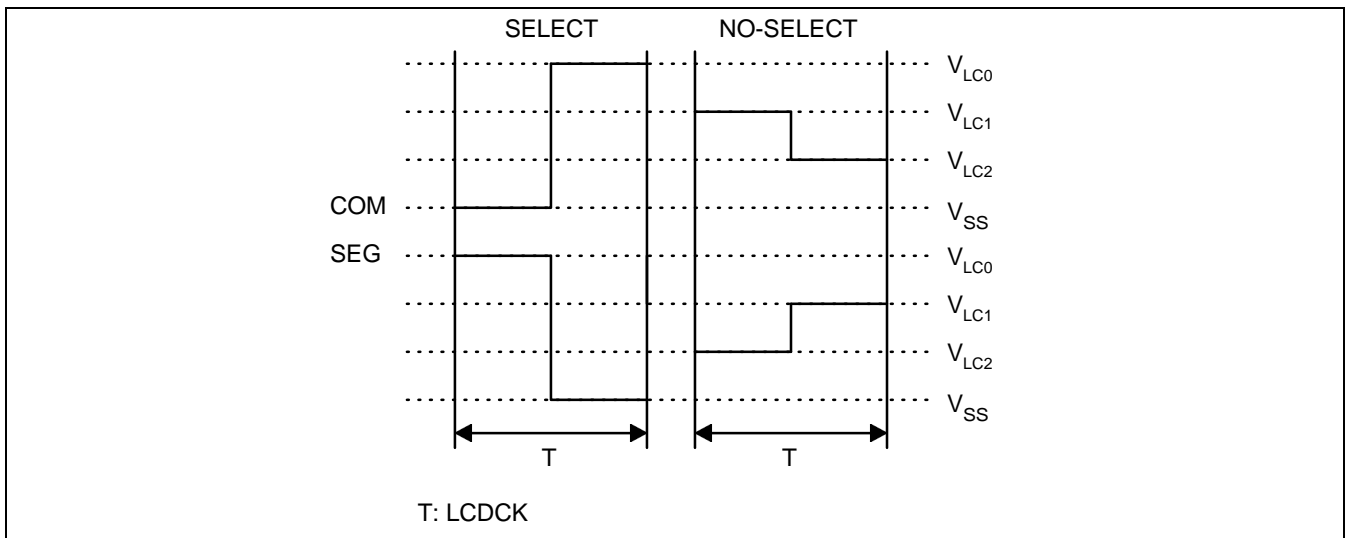


Figure 12-10. Select/No-select Bias Signals in 1/3 Bias Display Mode

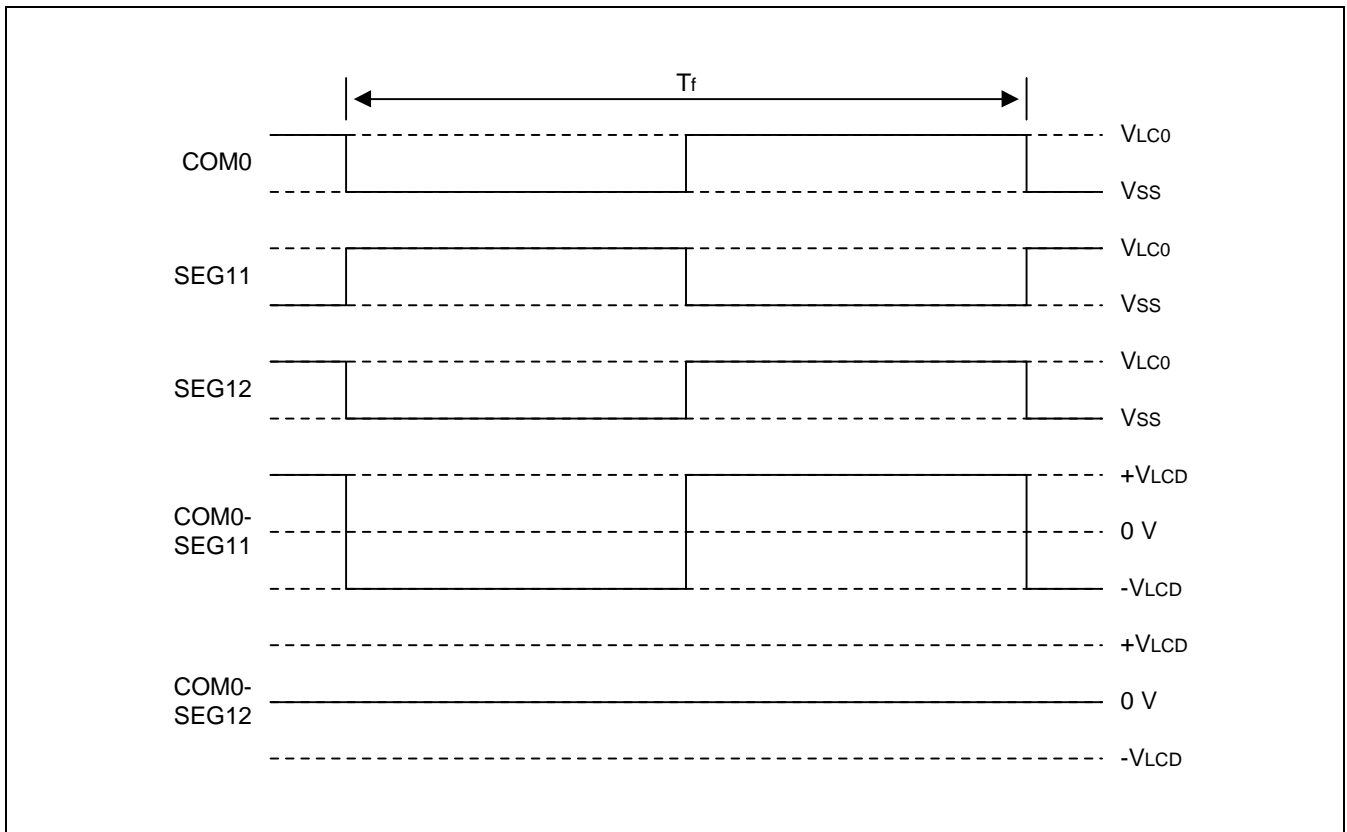


Figure 12-11. LCD Signal Waveforms in Static Mode

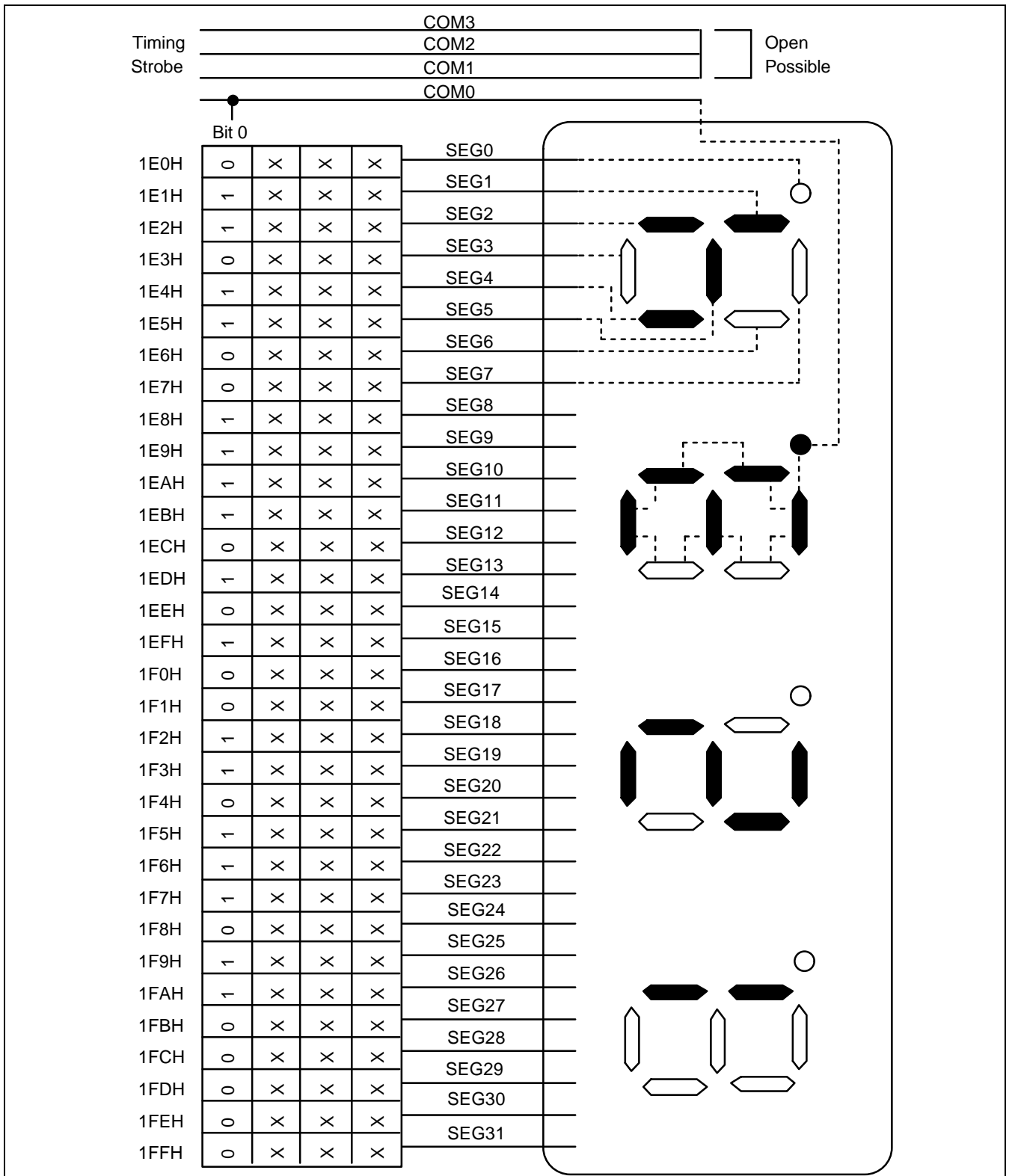


Figure 12-12. LCD Connection Example in Static Mode

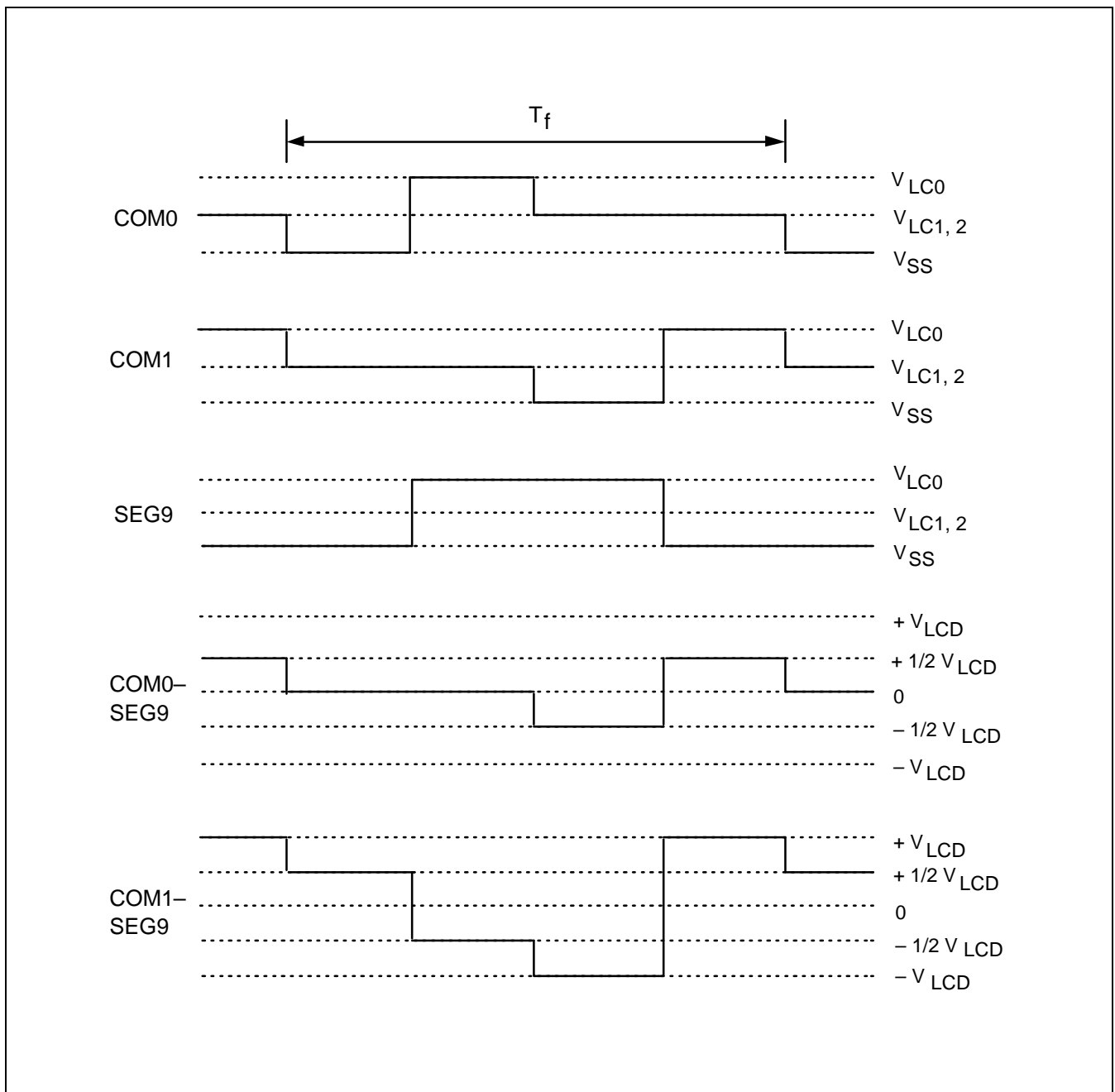


Figure 12-13. LCD Signal Waveforms at 1/2 Duty, 1/2 Bias

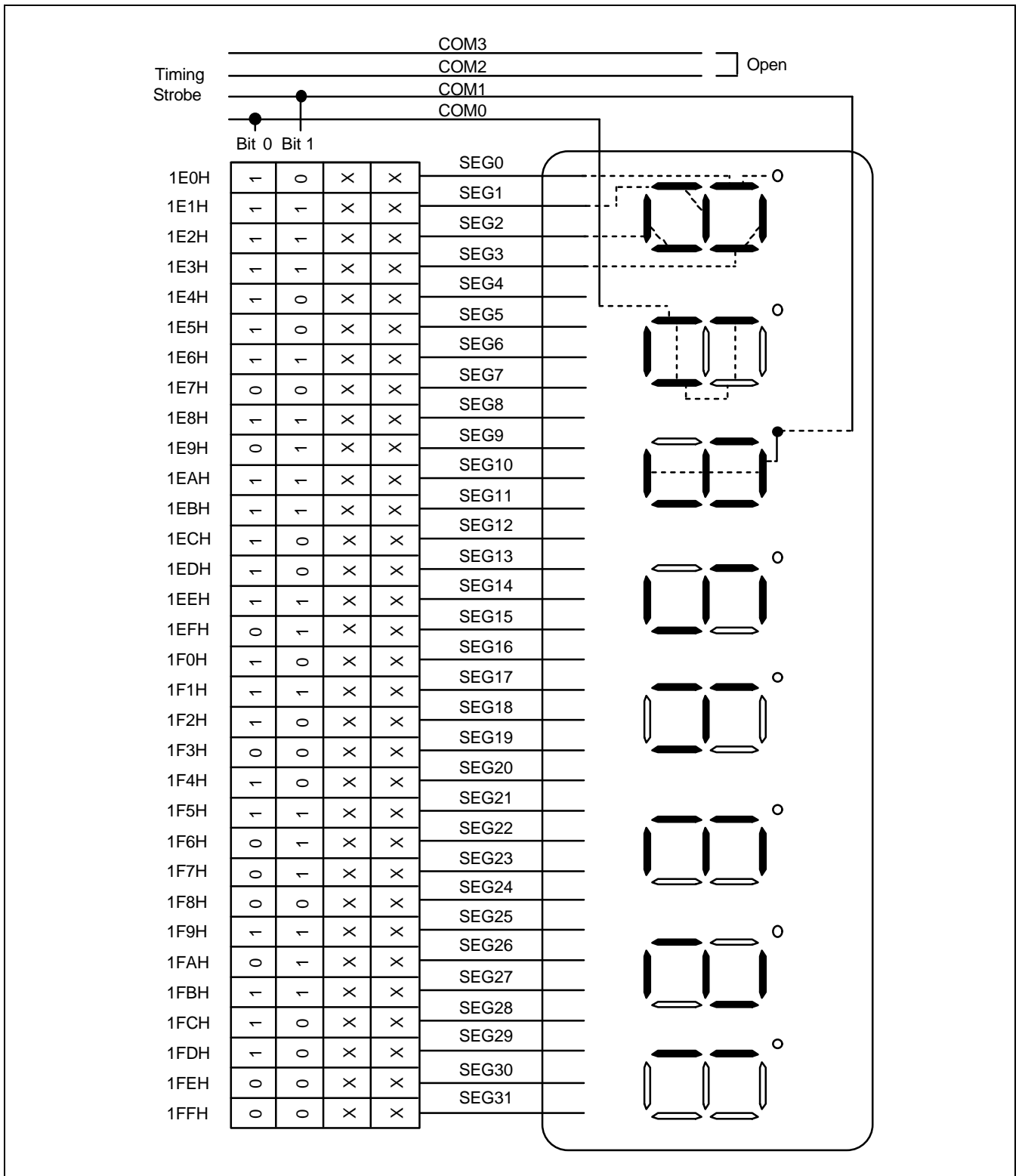


Figure 12-14. LCD Connection Example at 1/2 Duty, 1/2 Bias

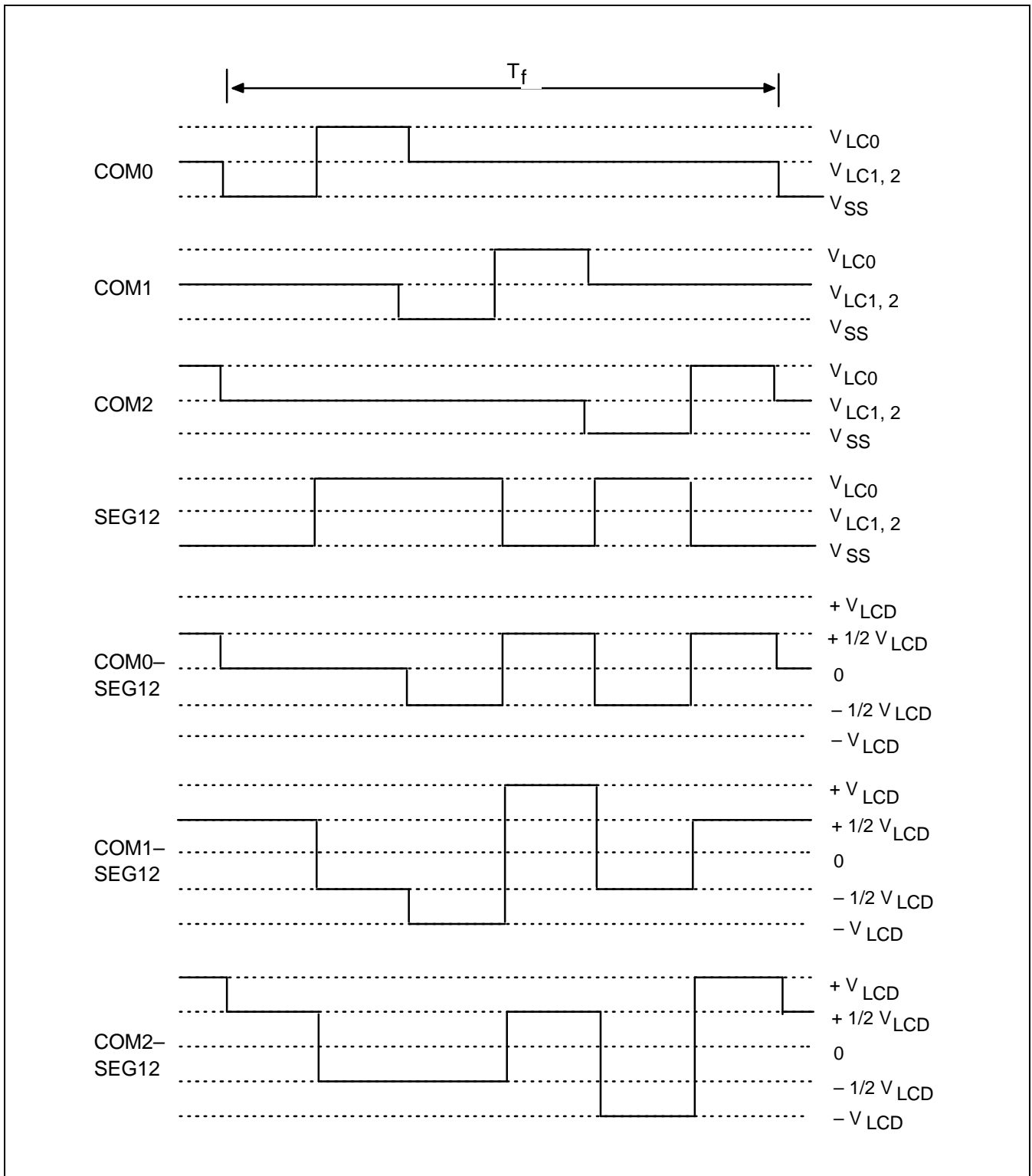


Figure 12-15. LCD Signal Waveforms at 1/3 Duty, 1/2 Bias

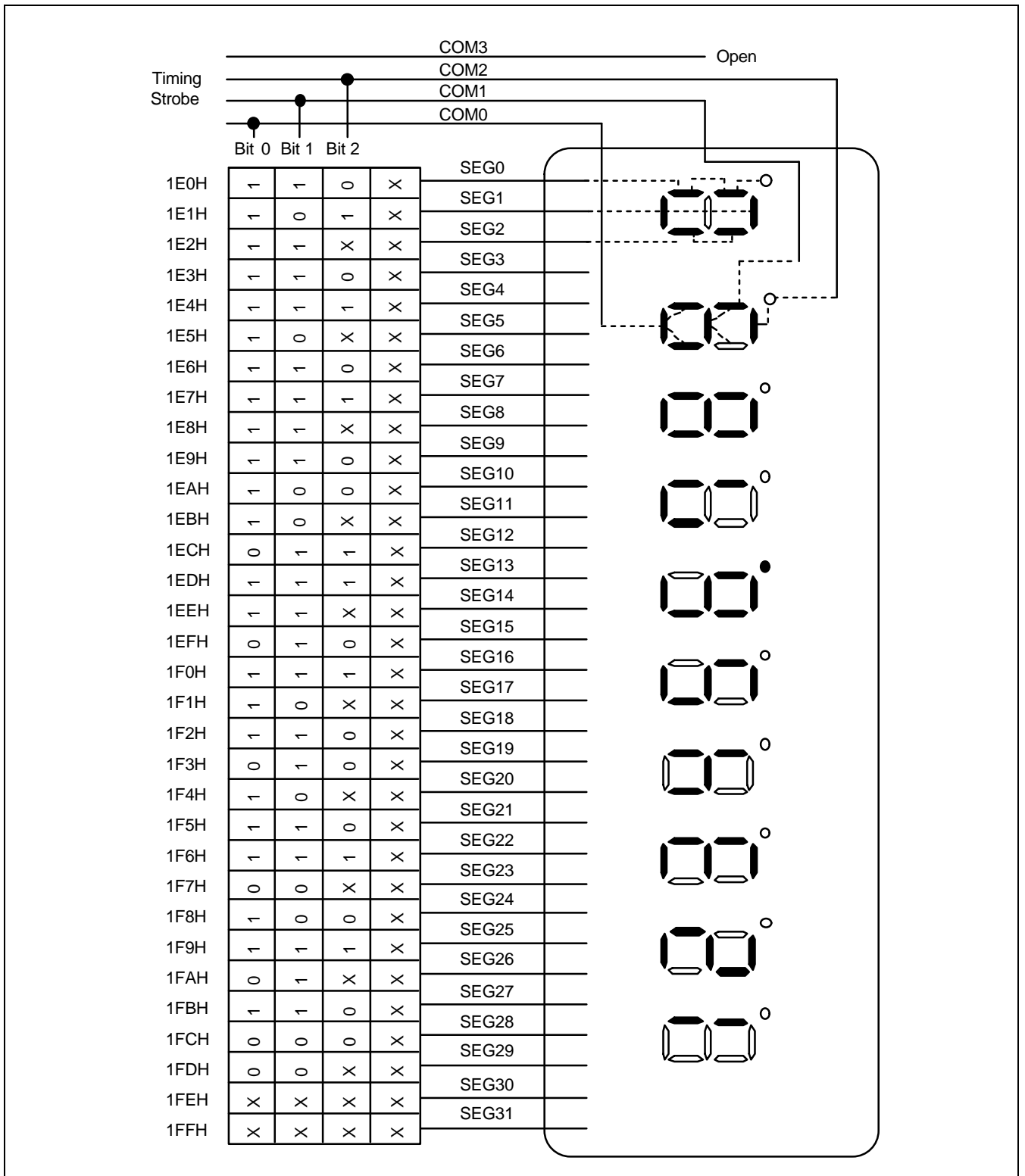


Figure 12-16. LCD Connection Example at 1/3 Duty, 1/2 Bias

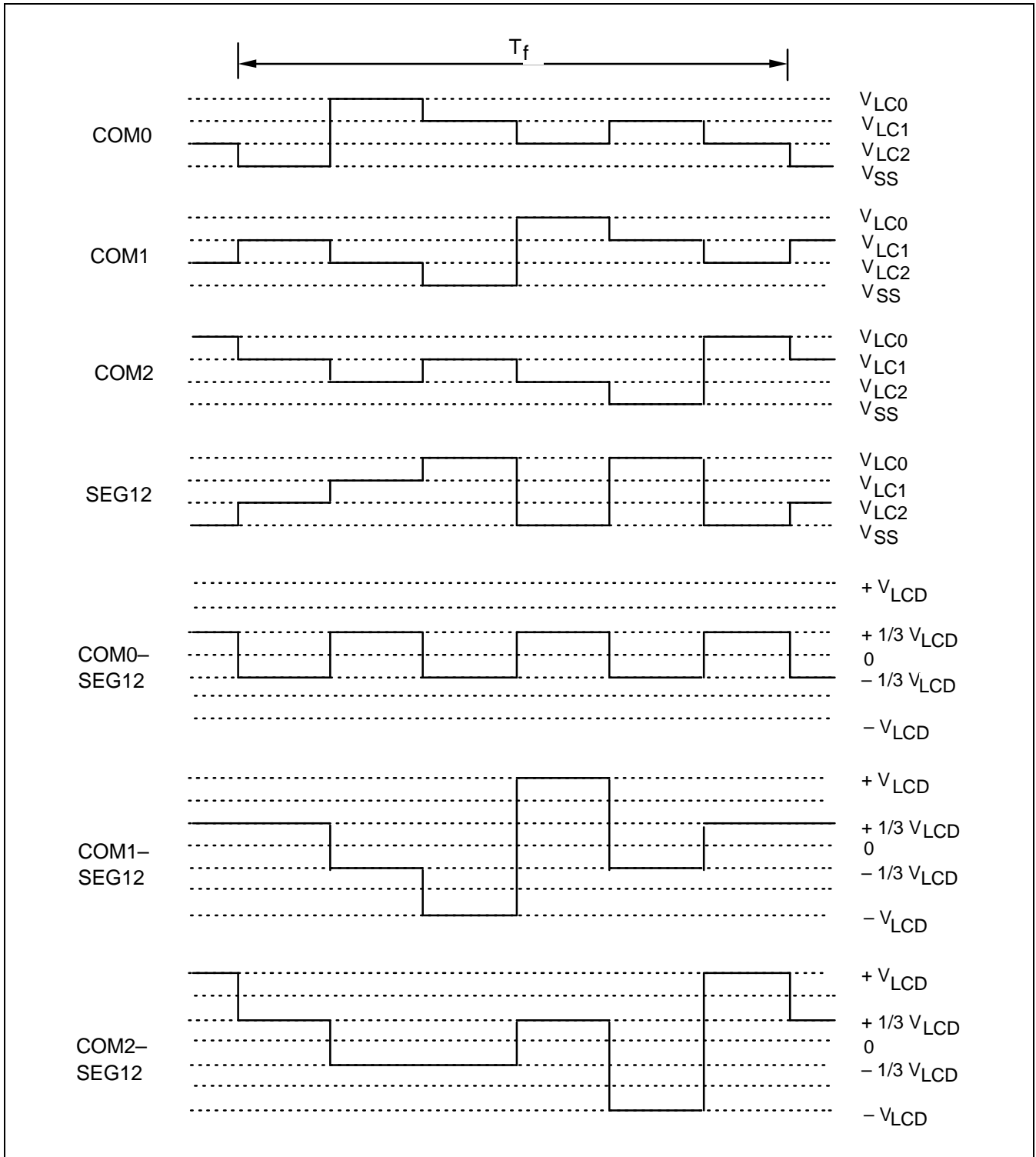


Figure 12-17. LCD Signal Waveforms at 1/3 Duty, 1/3 Bias

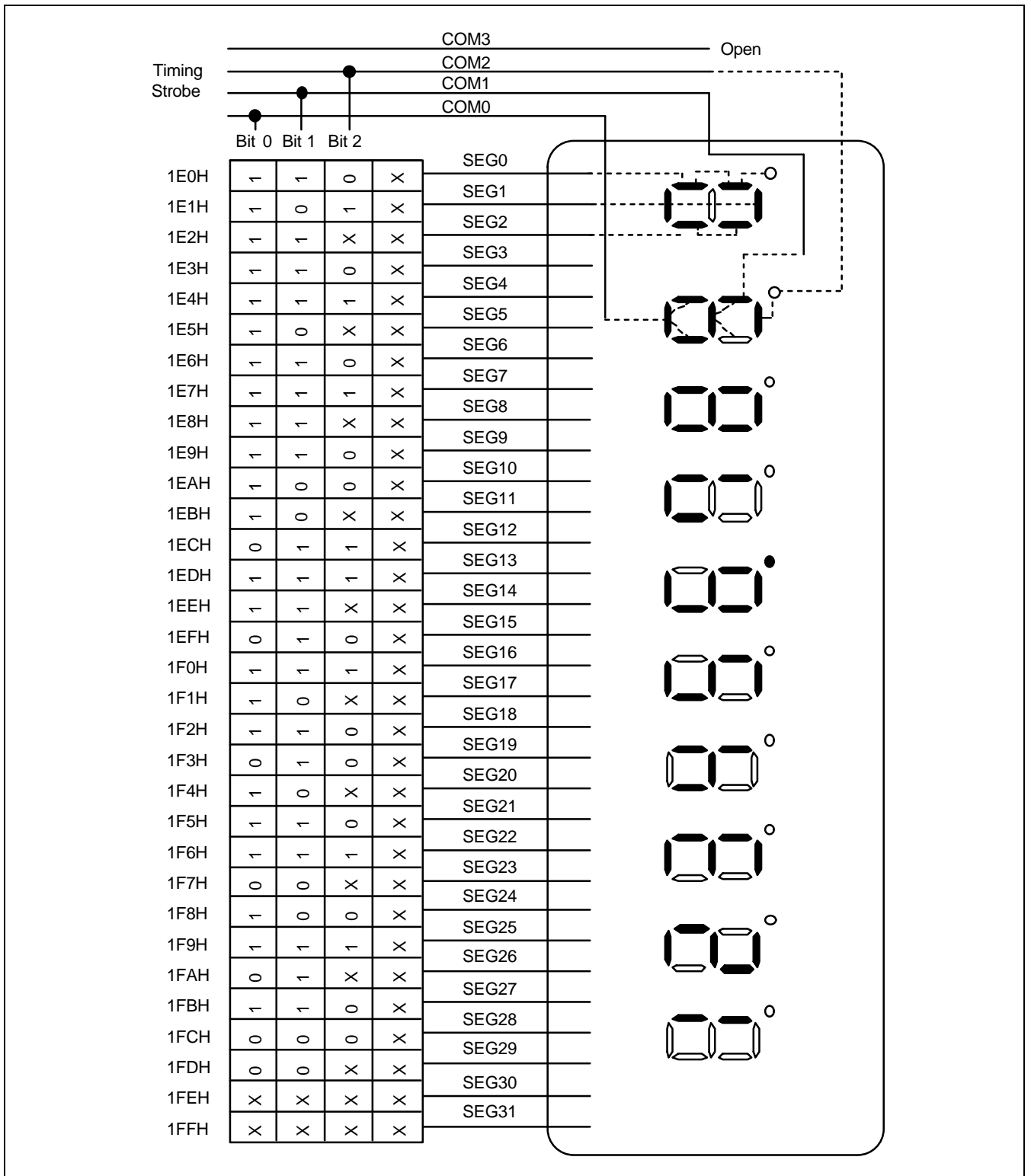


Figure 12-18. LCD Connection Example at 1/3 Duty, 1/3 Bias

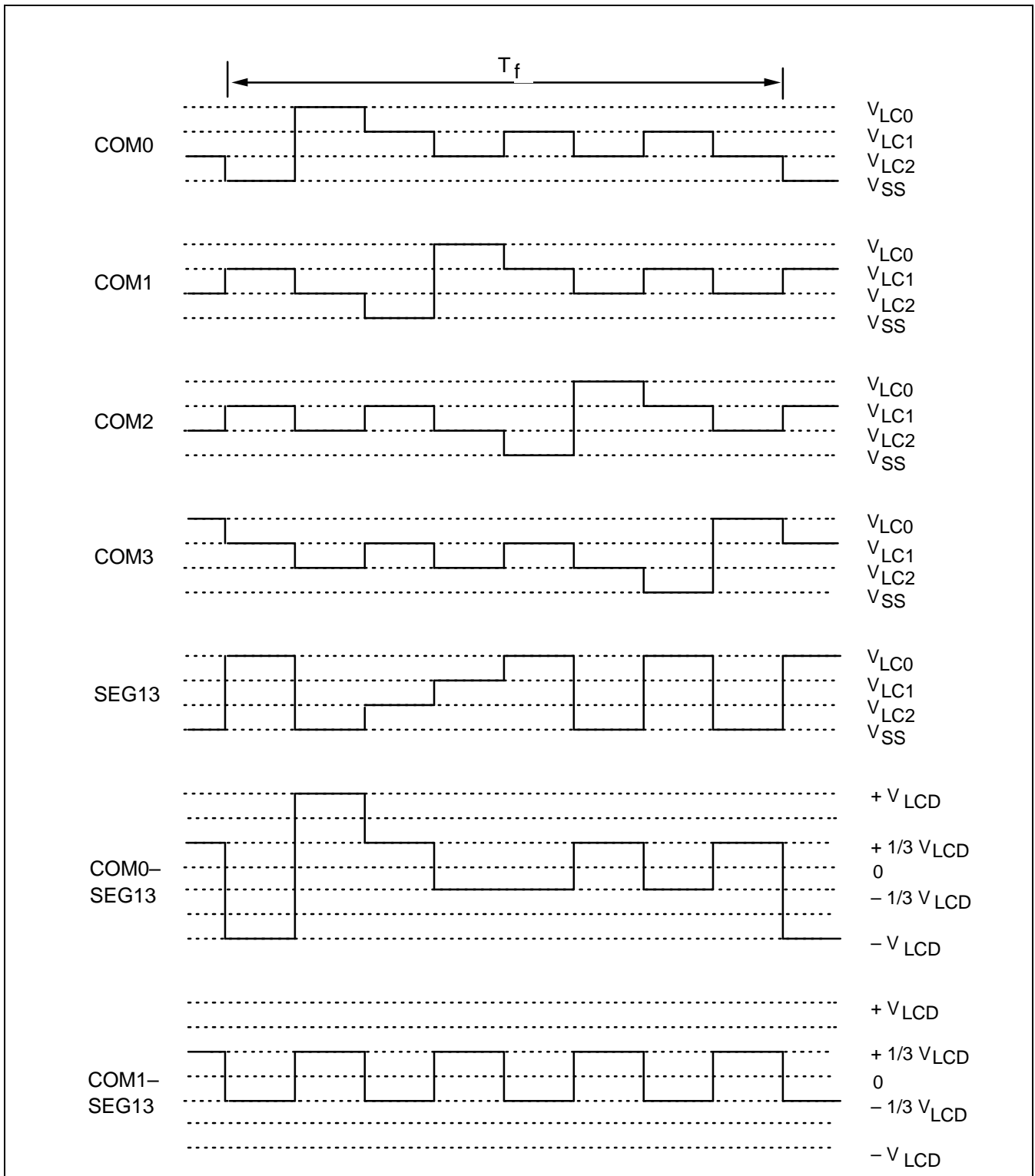


Figure 12-19. LCD Signal Waveforms at 1/4 Duty, 1/3 Bias

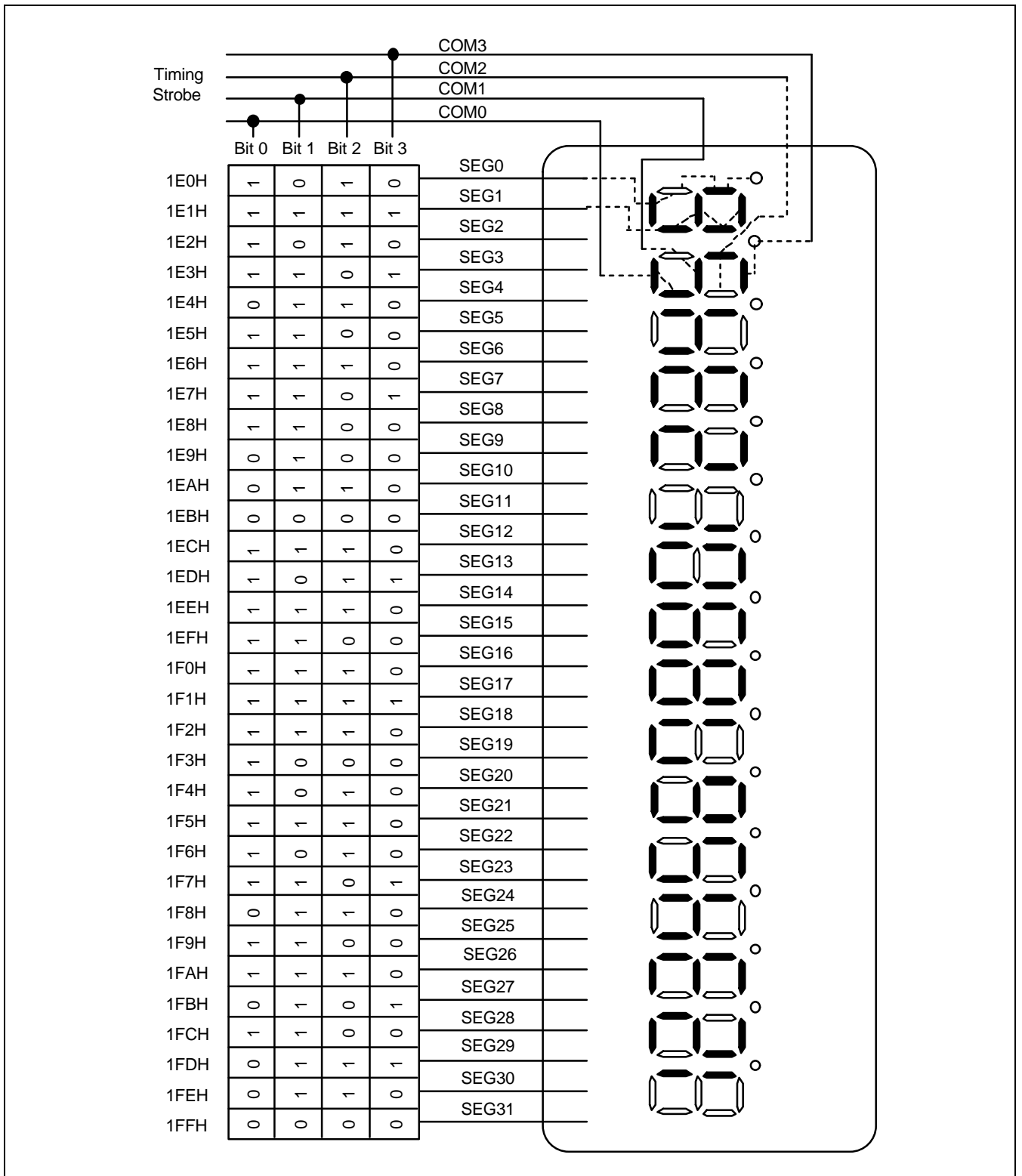


Figure 12-20. LCD Connection Example at 1/4 Duty, 1/3 Bias

13 SERIAL I/O INTERFACE

OVERVIEW

The serial I/O interface (SIO) has the following functional components:

- 8-bit mode register (SMOD)
- Clock selector circuit
- 8-bit buffer register (SBUF)
- 3-bit serial clock counter

Using the serial I/O interface, 8-bit data can be exchanged with an external device. The transmission frequency is controlled by making the appropriate bit settings to the SMOD register.

The serial interface can run off an internal or an external clock source, or the TOL0 signal that is generated by the 8-bit timer/counter, TC0. If the TOL0 clock signal is used, you can modify its frequency to adjust the serial data transmission rate.

SERIAL I/O OPERATION SEQUENCE

The general operation sequence of the serial I/O interface can be summarized as follows:

1. Set SIO mode to transmit-and-receive or to receive-only.
2. Select MSB-first or LSB-first transmission mode.
3. Set the SCK clock signal in the mode register, SMOD.
4. Set SIO interrupt enable flag (IES) to "1".
5. Initiate SIO transmission by setting bit 3 of the SMOD to "1".
6. When the SIO operation is complete, IRQS flag is set and an interrupt is generated.

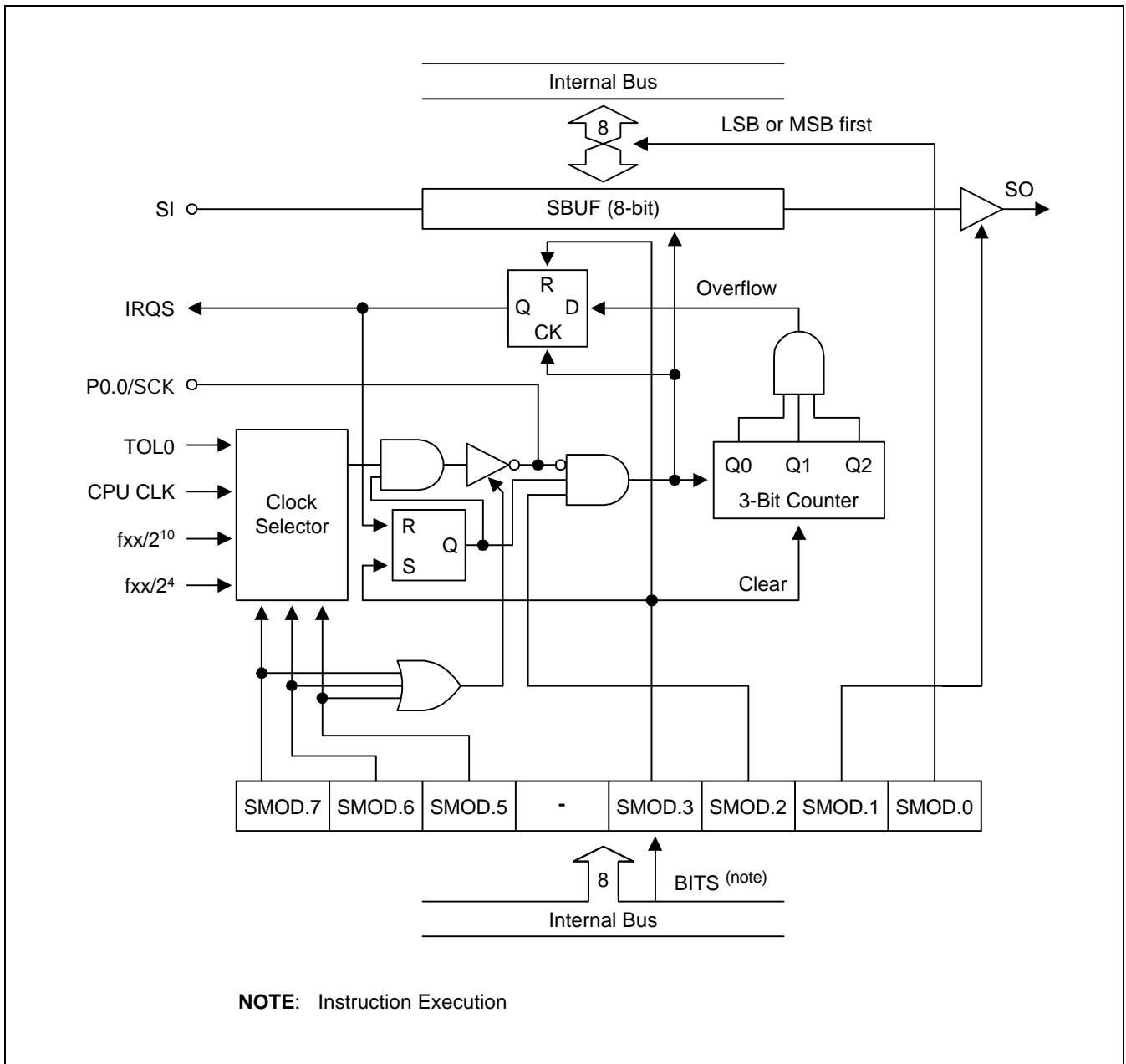


Figure 13-1. Serial I/O Interface Circuit Diagram

SERIAL I/O MODE REGISTER (SMOD)

The serial I/O mode register, SMOD, is an 8-bit register that specifies the operation mode of the serial interface. Its reset value is logical zero. SMOD is organized in two 4-bit registers, as follows:

FE0H	SMOD.3	SMOD.2	SMOD.1	SMOD.0
FE1H	SMOD.7	SMOD.6	SMOD.5	0

SMOD register settings enable you to select either MSB-first or LSB-first serial transmission, and to operate in transmit-and-receive mode or receive-only mode. SMOD is a write-only register and can be addressed only by 8-bit RAM control instructions. One exception to this is SMOD.3, which can be written by a 1-bit RAM control instruction. When SMOD.3 is set to 1, the contents of the serial interface interrupt request flag, IRQS, and the 3-bit serial clock counter are cleared, and SIO operations are initiated. When the SIO transmission starts, SMOD.3 is cleared to logical zero.

Table 13-1. SIO Mode Register (SMOD) Organization

SMOD.0	0	Most significant bit (MSB) is transmitted first
	1	Least significant bit (LSB) is transmitted first
SMOD.1	0	Receive-only mode; output buffer is off
	1	Transmit-and-receive mode; output buffer is on
SMOD.2	0	Disable the data shifter and clock counter; retain contents of IRQS flag when serial transmission is halted
	1	Enable the data shifter and clock counter; set IRQS flag to "1" when serial transmission is completed
SMOD.3	1	Clear IRQS flag and 3-bit clock counter to "0"; initiate transmission and then reset this bit to logic zero
SMOD.4	0	Bit not used; value is always "0"

SMOD.7	SMOD.6	SMOD.5	Clock Selection	R/W Status of SBUF
0	0	0	External clock at SCK pin	SBUF is enabled when SIO operation is halted or when SCK goes high.
0	0	1	Use TOL0 clock from TC0	
0	1	–	CPU clock: fxx/4, fxx/8, fxx/64	Enable SBUF read/write
1	0	0	4.09 kHz clock: fxx/2 ¹⁰	SBUF is enabled when SIO operation is halted or when SCK goes high.
1	1	1	262 kHz clock: fxx/2 ⁴	

NOTES:

- "fxx" = system clock.
- kHz frequency ratings assume a system clock (fxx) running at 4.19 MHz.
- The SIO clock selector circuit cannot select a fxx/2⁴ clock if the CPU clock is fxx/64.

SERIAL I/O TIMING DIAGRAMS

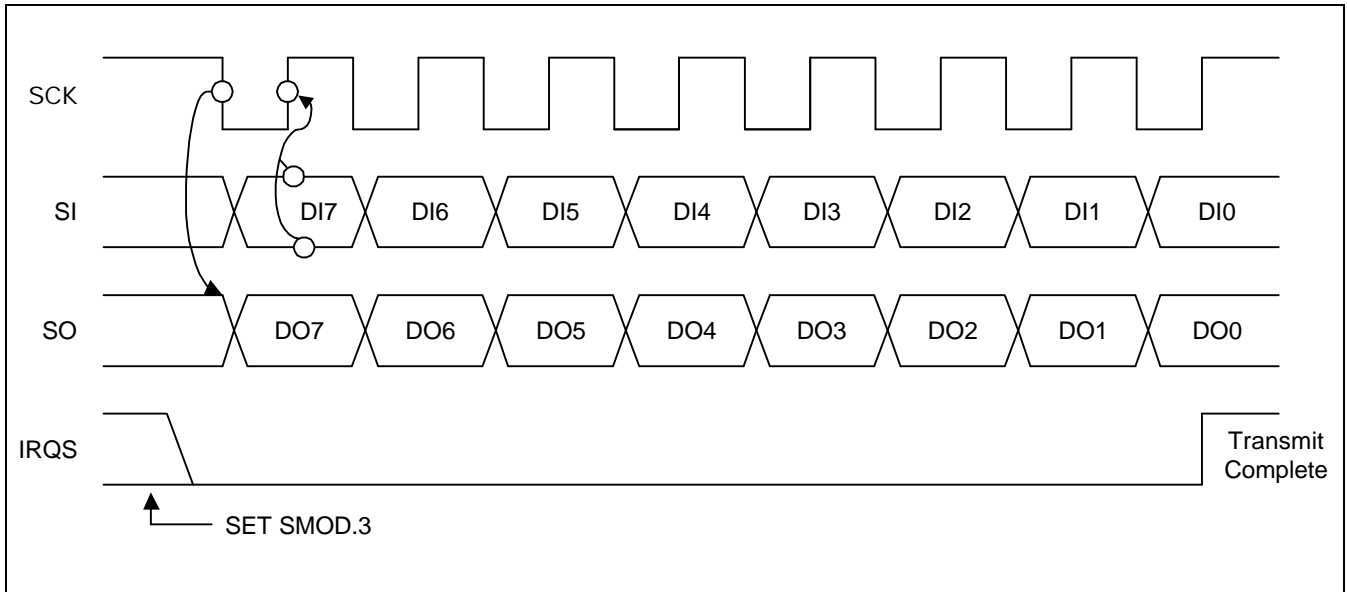


Figure 13-2. SIO Timing in Transmit/Receive Mode

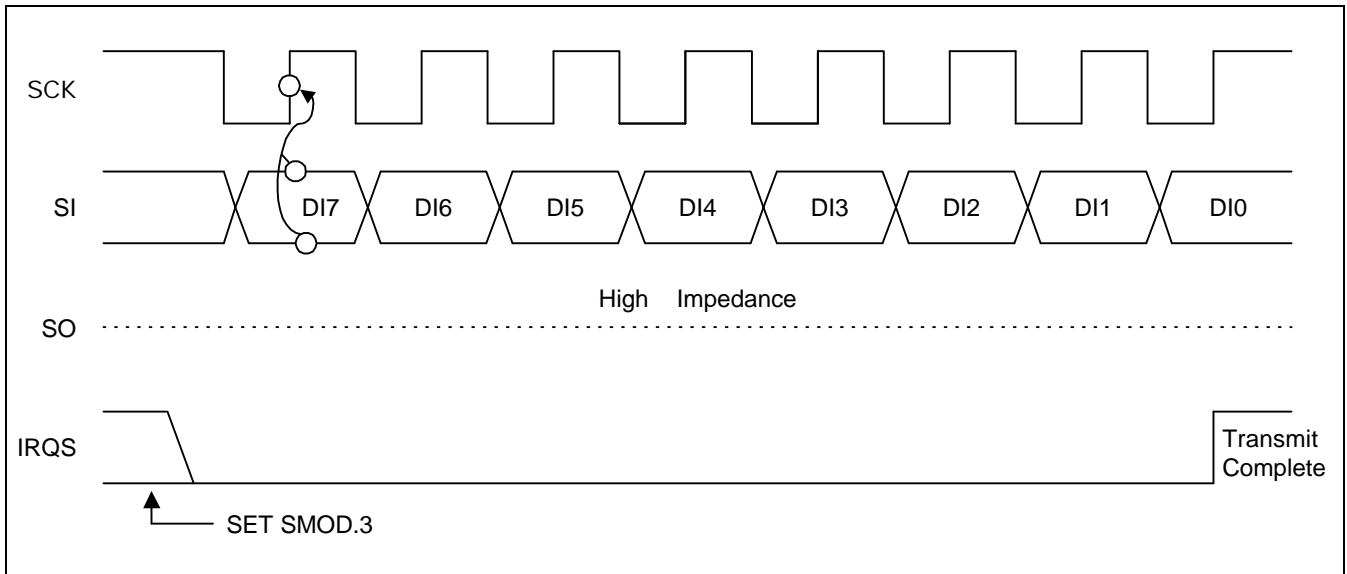


Figure 13-3. SIO Timing in Receive-Only Mode

SERIAL I/O BUFFER REGISTER (SBUF)

The serial I/O buffer register, SBUF, can be read or written using 8-bit RAM control instructions. Following a RESET, the value of SBUF is undetermined.

When the serial interface operates in transmit-and-receive mode (SMOD.1 = "1"), transmit data in the SIO buffer register are output to the SO pin (P0.2) at the rate of one bit for each falling edge of the SIO clock. Receive data are simultaneously input from the SI pin (P0.3) to SBUF at the rate of one bit for each rising edge of the SIO clock. When receive-only mode is used, incoming data are input to the SIO buffer at the rate of one bit for each rising edge of the SIO clock.

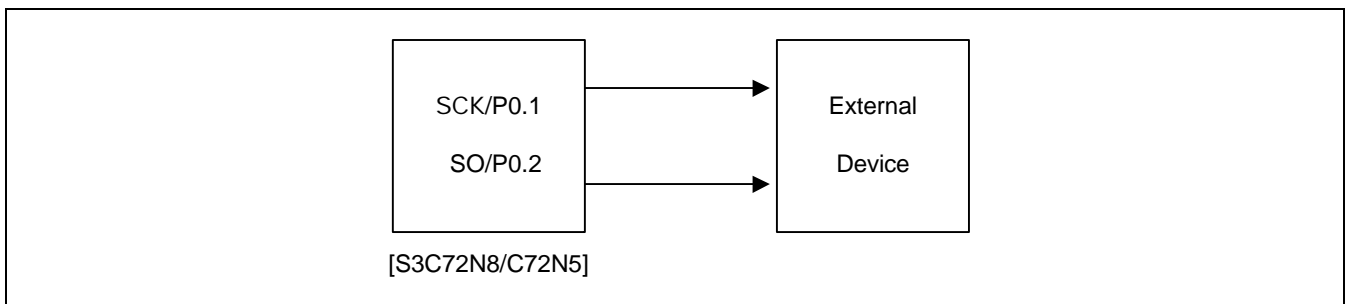
PROGRAMMING TIP — Setting Transmit/Receive Modes for Serial I/O

1. Transmit the data value 48H through the serial I/O interface using an internal clock frequency of $f_{xx}/2^4$ and in MSB-first mode:

```

BITS      EMB
SMB       15
LD        EA,#48H           ;
LD        SBUF,EA          ;
LD        EA,#0EEH
LD        SMOD,EA          ; SIO data transfer

```



2. Use CPU clock to transfer and receive serial data at high speed:

```

BITR      EMB
LD        EA,TDATA         ; TDATA address = BANK0 (20H-7FH)
LD        SBUF,EA
LD        EA,#4FH
LD        SMOD,EA         ; SIO start
BITS      IES
STEST    BTSTZ            IRQS
JR        STEST
LD        EA,SBUF
SMB       0
LD        RDATA,EA        ; RDATA address = BANK0 (20H-7FH)

```

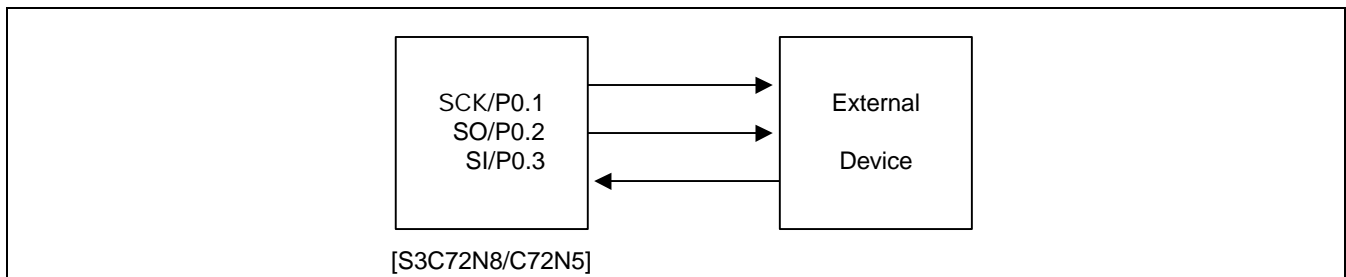
 **PROGRAMMING TIP — Setting Transmit/Receive Modes for Serial I/O (Continued)**

3. Transmit and receive Data through SIO interface using an internal clock frequency of 4.09 kHz (at 4.19 MHz) in LSB-first mode:

```

        BITR      EMB
        LD        EA,TDATA          ; TDATA address = BANK0 (20H-7FH)
        LD        SBUF,EA
        LD        EA,#8FH
        LD        SMOD,EA          ; SIO start
        EI
        BITS      IES
        •
        •
INTS    PUSH      SB                ; Store SMB, SRB
        PUSH      EA                ; Store EA
        BITR      EMB
        LD        EA,TDATA          ; EA ← Transmit data, TDATA address = BANK0
                                       (20H-7FH)
        XCH      EA,SBUF            ; Transmit data ↔ Receive data
        LD        RDATA,EA         ; RDATA address = BANK0 (20H-7FH)
        BITS      SMOD.3           ; SIO start
        POP      EA
        POP      SB
        IRET

```



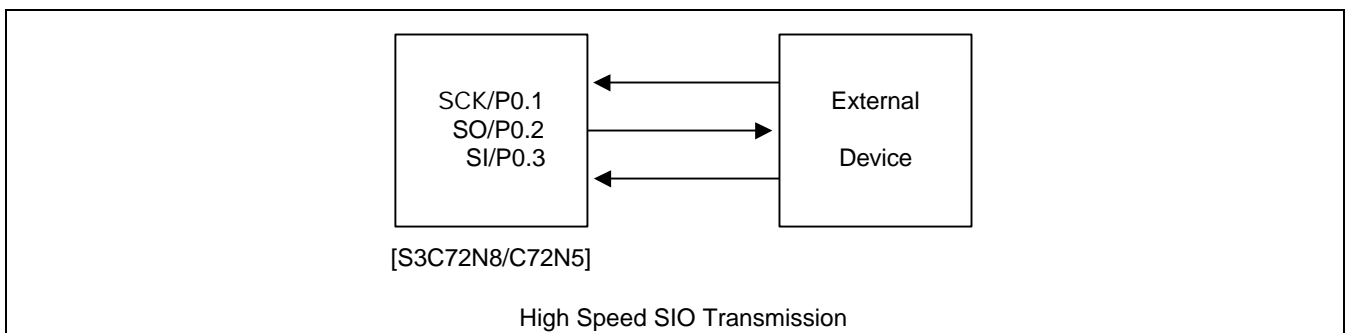
 **PROGRAMMING TIP — Setting Transmit/Receive Modes for Serial I/O (Continued)**

4. Transmit and receive Data through SIO interface using an external clock in LSB-first mode:

```

        BITR      EMB
        LD        EA,TDATA      ; TDATA address = BANK0 (20H-7FH)
        LD        SBUF,EA
        LD        EA,#0FH
        LD        SMOD,EA      ; SIO start
        EI
        BITS      IES
        •
        •
INTS   PUSH      SB            ; Store SMB, SRB
        PUSH      EA            ; Store EA
        BITR      EMB
        LD        EA,TDATA      ; EA ← Transmit data, TDATA address = BANK0
                                   (20H-7FH)
        XCH      EA,SBUF        ; Transmit data ← Receive data
        LD        RDATA,EA      ; RDATA address = BANK0 (20H-7FH)
        BITS      SMOD.3        ; SIO start
        POP      EA
        POP      SB
        IRET

```



14 ELECTRICAL DATA

OVERVIEW

In this section, information on S3C72N8/C72N5 electrical characteristics is presented as tables and graphics. The information is arranged in the following order:

Standard Electrical Characteristics

- Absolute maximum ratings
- D.C. electrical characteristics
- Main system clock oscillator characteristics
- Subsystem clock oscillator characteristics
- I/O capacitance
- A.C. electrical characteristics
- Operating voltage range

Miscellaneous Timing Waveforms

- A.C timing measurement point
- Clock timing measurement at X_{IN}
- Clock timing measurement at XT_{IN}
- TCL timing
- Input timing for RESET
- Input timing for external interrupts
- Serial data transfer timing

Stop Mode Characteristics and Timing Waveforms

- RAM data retention supply voltage in stop mode
- Stop mode release timing when initiated by RESET
- Stop mode release timing when initiated by an interrupt request

Table 14-1. Absolute Maximum Ratings

(T_A = 25 °C)

Parameter	Symbol	Conditions	Rating	Units
Supply Voltage	V _{DD}	–	– 0.3 to + 6.5	V
Input Voltage	V _I	All I/O ports	– 0.3 to V _{DD} + 0.3	
Output Voltage	V _O	–	– 0.3 to V _{DD} + 0.3	
Output Current High	I _{OH}	One I/O pin active	– 15	mA
		All I/O ports active	– 35	
Output Current Low	I _{OL}	One I/O pin active	+ 30 (Peak value)	
			+ 15 (note)	
		Total value for ports 0, 2, 3, and 5	+ 100 (Peak value)	
			+ 60 (note)	
Total value for ports 4, 6, and 7	+ 100			
	+ 60 (note)			
Operating Temperature	T _A	–	– 40 to + 85	°C
Storage Temperature	T _{stg}	–	– 65 to + 150	

NOTE: The values for Output Current Low (I_{OL}) are calculated as Peak Value × √Duty .

Table 14-2. D.C. Electrical Characteristics

(T_A = – 40 °C to + 85 °C, V_{DD} = 1.8 V to 5.5 V)

Parameter	Symbol	Conditions	Min	Typ	Max	Units
Input high voltage	V _{IH1}	All input pins except those specified below for V _{IH2} , V _{IH3}	0.7 V _{DD}	–	V _{DD}	V
	V _{IH2}	Ports 0, 1, 6, 7 and RESET	0.8 V _{DD}	–	V _{DD}	
	V _{IH3}	X _{IN} , X _{OUT} , XT _{IN} and XT _{OUT}	V _{DD} – 0.1	–	V _{DD}	
Input low voltage	V _{IL1}	Ports 2, 3, 4 and 5	–	–	0.3 V _{DD}	V
	V _{IL2}	Ports 0, 1, 6, 7 and RESET	–	–	0.2 V _{DD}	
	V _{IL3}	X _{IN} , X _{OUT} , XT _{IN} and XT _{OUT}	–	–	0.1	
Output high voltage	V _{OH1}	V _{DD} = 4.5 V to 5.5 V Ports 0, 2, 3, 4, 5, 6, 7 and BIAS I _{OH} = – 1 mA	V _{DD} – 1.0	–	–	V
	V _{OH2}	V _{DD} = 4.5 V to 5.5 V Port 8 ONLY I _{OH} = – 100 μA	V _{DD} – 2.0	–	–	

Table 14-2. D.C. Electrical Characteristics (Continued)

(T_A = -40 °C to +85 °C, V_{DD} = 1.8 V to 5.5 V)

Parameter	Symbol	Conditions	Min	Typ	Max	Units
Output low voltage	V _{OL1}	V _{DD} = 4.5 V to 5.5 V, Ports 0, 2-7 I _{OL} = 15 mA	-	0.4	2	V
	V _{OL2}	V _{DD} = 4.5 V to 5.5 V, Port 8 only I _{OL} = 100 μA	-	-	1	
Input high leakage current	I _{LIH1}	V _{IN} = V _{DD} All input pins except those specified below for I _{LIH2}	-	-	3	μA
	I _{LIH2}	V _{IN} = V _{DD} X _{IN} , X _{OUT} , XT _{IN} and XT _{OUT}	-	-	20	
Input low leakage current	I _{LIL1}	V _{IN} = 0 V All input pins except X _{IN} , X _{OUT} , XT _{IN} and XT _{OUT}	-	-	-3	
	I _{LIL2}	V _{IN} = 0 V X _{IN} , X _{OUT} , XT _{IN} and XT _{OUT}	-	-	-20	
Output high leakage current	I _{LOH1}	V _{OUT} = V _{DD} All output pins	-	-	3	μA
Output low leakage current	I _{LOL}	V _{OUT} = 0 V All output pins	-	-	-3	
Pull-up resistor	R _{L1}	Ports 0-7 V _{IN} = 0 V; V _{DD} = 5 V	25	47	100	KΩ
		V _{DD} = 3 V	50	95	200	
	R _{L2}	V _{IN} = 0 V; V _{DD} = 5 V, RESET	100	220	400	
		V _{DD} = 3 V	200	450	800	
LCD voltage dividing resistor	R _{LCD}	T _A = 25 °C	50	93	140	
COM output impedance	R _{COM}	V _{DD} = 5 V	-	3	6	
		V _{DD} = 3 V		5	15	
SEG output impedance	R _{SEG}	V _{DD} = 5 V	-	3	6	
		V _{DD} = 3 V		5	15	
COM output voltage deviation	V _{DC}	V _{DD} = 5 V (V _{LCO} - COMi) I _o = ±15μA (I = 0-3)	-	±45	±90	mV
SEG output voltage deviation	V _{DS}	V _{DD} = 5 V (V _{LCO} -SEGi) I _o = ±15μA (I = 0-31)	-	±45	±90	mV

Table 14-2. D.C. Electrical Characteristics (Concluded)

(T_A = -40 °C to +85 °C, V_{DD} = 1.8 V to 5.5 V)

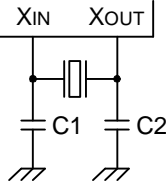
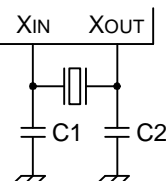
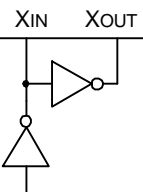
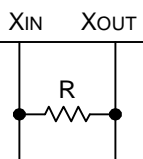
Parameter	Symbol	Conditions		Min	Typ	Max	Units
V _{LC0} Output voltage	V _{LC0}	T _A = 25 °C		0.6 V _{DD} - 0.2	0.6 V _{DD}	0.6 V _{DD} + 0.2	V
V _{LC1} Output voltage	V _{LC1}	T _A = 25 °C		0.4 V _{DD} - 0.2	0.4 V _{DD}	0.4 V _{DD} + 0.2	
V _{LC2} Output voltage	V _{LC2}	T _A = 25 °C		0.2 V _{DD} - 0.2	0.2 V _{DD}	0.2 V _{DD} + 0.2	
Supply Current (1)	I _{DD1} (2)	Main operating: V _{DD} = 5 V ± 10% CPU = fx/4 SCMOD = 0000B crystal oscillator C1 = C2 = 22pF	6.0 MHz	-	3.5 2.5	8 5.5	mA
			4.19 MHz				
	I _{DD2} (2)	Main Idle mode; V _{DD} = 5 V ± 10% CPU = fx/4 SCMOD = 0000B crystal oscillator C1 = C2 = 22pF	6.0 MHz	-	1.0 0.9	2.5 2.0	
			4.19 MHz				
	I _{DD3}	Sub operating: V _{DD} = 3 V ± 10% CPU = fxt/4 SCMOD = 1001B 32 kHz crystal oscillator	6.0 MHz	-	15	30	
			4.19 MHz				
	I _{DD4}	Sub Idle mode; V _{DD} = 3 V ± 10% CPU = fxt/4, SCMOD = 1001B 32 kHz crystal oscillator		-	6	15	
	I _{DD5}	Stop mode; V _{DD} = 5 V ± 10%, XT _{IN} = 0 V CPU = fxt/4, SCMOD = 0000B		-	2.5	5	
I _{DD6} (3)	Stop mode; V _{DD} = 5 V ± 10% CPU = fx/4, SCMOD = 0100B		-	0.5	3		

NOTES:

1. D.C. electrical values for supply current (I_{DD1} to I_{DD6}) do not include current drawn through internal pull-up resistors and through LCD voltage dividing resistors.
2. Data includes the power consumption for sub-system clock oscillation.
3. When the system clock mode register, SCMOD, is set to 0100B, the sub-system clock oscillation stops. The main-system clock oscillation stops by the STOP instruction.

Table 14-3. Main System Clock Oscillator Characteristics

(T_A = -40 °C + 85 °C, V_{DD} = 1.8 V to 5.5 V)

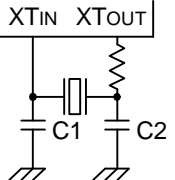
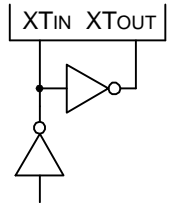
Oscillator	Clock Configuration	Parameter	Test Condition	Min	Typ	Max	Units
Ceramic Oscillator		Oscillation frequency ⁽¹⁾	–	0.4	–	6.0	MHz
		Stabilization time ⁽²⁾	Stabilization occurs when V _{DD} is equal to the minimum oscillator voltage range.	–	–	4	ms
Crystal Oscillator		Oscillation frequency ⁽¹⁾	–	0.4	–	6.0	MHz
		Stabilization time ⁽²⁾	V _{DD} = 4.5 V to 5.5 V	–	–	10	ms
			V _{DD} = 1.8 V to 4.5 V	–	–	30	
External Clock		X _{IN} input frequency ⁽¹⁾	–	0.4	–	6.0	MHz
		X _{IN} input high and low level width (t _{XH} , t _{XL})	–	83.3	–	–	ns
RC Oscillator		Frequency ⁽¹⁾	V _{DD} = 5 V R = 20 KΩ, V _{DD} = 5 V R = 38 KΩ, V _{DD} = 3 V	0.4	– 2.0 1.0	2	MHz

NOTES:

- Oscillation frequency and X_{IN} input frequency data are for oscillator characteristics only.
- Stabilization time is the interval required for oscillator stabilization after a power-on occurs, or when stop mode is terminated.

Table 14-4. Subsystem Clock Oscillator Characteristics

(T_A = -40 °C + 85 °C, V_{DD} = 1.8 V to 5.5 V)

Oscillator	Clock Configuration	Parameter	Test Condition	Min	Typ	Max	Units
Crystal Oscillator		Oscillation frequency ⁽¹⁾	–	32	32.768	35	kHz
		Stabilization time ⁽²⁾	V _{DD} = 4.5 V to 5.5 V	–	1.0	2	s
			V _{DD} = 1.8 V to 4.5 V	–	–	10	
External Clock		XT _{IN} input frequency ⁽¹⁾	–	32	–	100	kHz
		XT _{IN} input high and low level width (t _{XTL} , t _{XTH})	–	5	–	15	μs

NOTES:

- Oscillation frequency and XT_{IN} input frequency data are for oscillator characteristics only.
- Stabilization time is the interval required for oscillating stabilization after a power-on occurs.

Table 14-5. Input/Output Capacitance

(T_A = 25 °C, V_{DD} = 0 V)

Parameter	Symbol	Condition	Min	Typ	Max	Units
Input capacitance	C _{IN}	f = 1 MHz; Unmeasured pins are returned to V _{SS}	–	–	15	pF
Output capacitance	C _{OUT}		–	–	15	pF
I/O capacitance	C _{IO}		–	–	15	pF

Table 14-6. A.C. Electrical Characteristics

(T_A = -40 °C to +85 °C, V_{DD} = 1.8 V to 5.5 V)

Parameter	Symbol	Conditions	Min	Typ	Max	Units
Instruction cycle time (1)	t _{CY}	V _{DD} = 2.7 V to 5.5 V	0.67	–	64	μs
		V _{DD} = 1.8 V to 5.5 V	0.95	–	64	
		With subsystem clock (fxt)	114	122	125	
TCL0 input frequency	f _{TIO}	V _{DD} = 2.7 V to 5.5 V	0	–	1.5	MHz
		V _{DD} = 1.8 V to 5.5 V			1	MHz
TCL0 input high, low width	t _{TIH0} , t _{TILO}	V _{DD} = 2.7 V to 5.5 V	0.48	–	–	μs
		V _{DD} = 1.8 V to 5.5 V	1.8			
SCK cycle time	t _{KCY}	V _{DD} = 2.7 V to 5.5 V External SCK source	800	–	–	ns
		Internal SCK source	650			
		V _{DD} = 1.8 V to 5.5 V External SCK source	3200			
		Internal SCK source	3800			
SCK high, low width	t _{KH} , t _{KL}	V _{DD} = 1.8 V to 5.5 V External SCK source	400	–	–	ns
		Internal SCK source	t _{KCY} /2 – 50			
		V _{DD} = 1.8 V to 5.5 V External SCK source	1600			
		Internal SCK source	t _{KCY} /2 – 150			
SI setup time to SCK high	t _{SIK}	External SCK source	100	–	–	ns
		Internal SCK source	150			
SI hold time to SCK high	t _{KSI}	External SCK source	400	–	–	ns
		Internal SCK source	400			
Output delay for SCK to SO	t _{KSO}	V _{DD} = 2.7 V to 5.5 V External SCK source	–	–	300	ns
		Internal SCK source			250	
		V _{DD} = 1.8 V to 5.5 V External SCK source			1000	
		Internal SCK source			1000	
Interrupt input high, low width	t _{INTH} , t _{INTL}	INT0	(2)	–	–	μs
		INT1, INT2, INT4, KS0–KS7	10			
RESET Input Low Width	t _{RSL}	Input	10	–	–	μs

NOTES:

1. Unless otherwise specified, Instruction Cycle Time condition values assume a main system clock (fx) source.
2. Minimum value for INT0 is based on a clock of 2t_{CY} or 128/fx as assigned by the IMOD0 register setting.

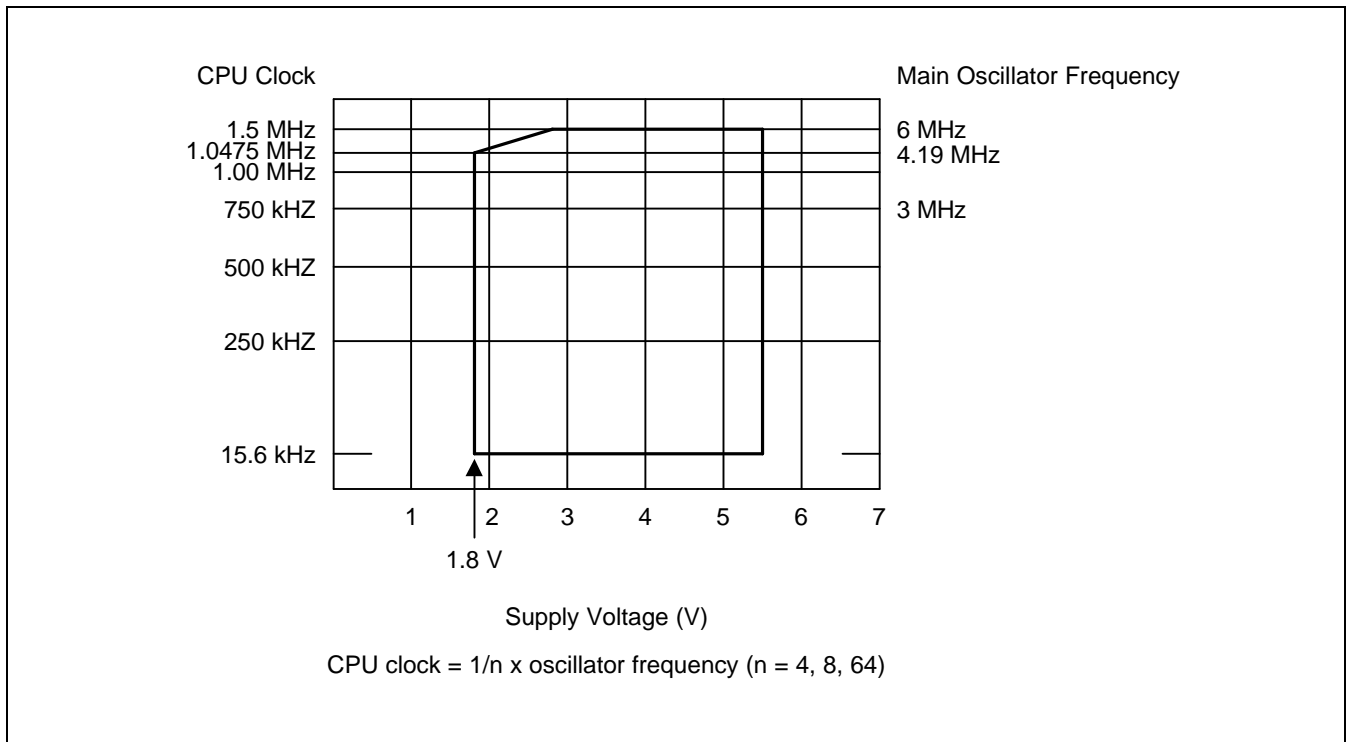


Figure 14-1. Standard Operating Voltage Range

Table 14-7. RAM Data Retention Supply Voltage in Stop Mode

(T_A = -40 °C to +85 °C)

Parameter	Symbol	Conditions	Min	Typ	Max	Unit
Data retention supply voltage	V _{DDDR}	Normal operation	1.8	–	6.5	V
Data retention supply current	I _{DDDR}	V _{DDDR} = 1.8 V	–	0.1	10	μA
Release signal set time	t _{SREL}	Normal operation	0	–	–	μs
Oscillator stabilization wait time (1)	t _{WAIT}	Released by RESET	–	2 ¹⁷ /f _x	–	ms
		Released by interrupt	–	(2)	–	

NOTES:

- During oscillator stabilization wait time, all CPU operations must be stopped to avoid instability during oscillator start-up.
- Use the basic timer mode register (BMOD) interval timer to delay execution of CPU instructions during the wait time.

TIMING WAVEFORMS

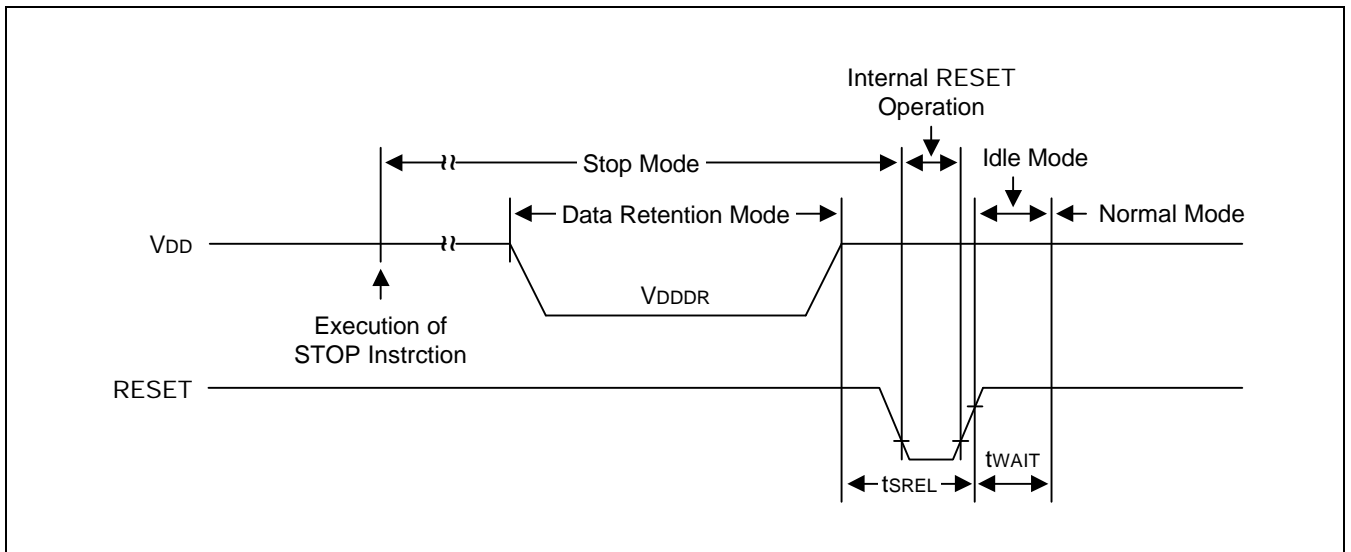


Figure 14-2. Stop Mode Release Timing When Initiated By RESET

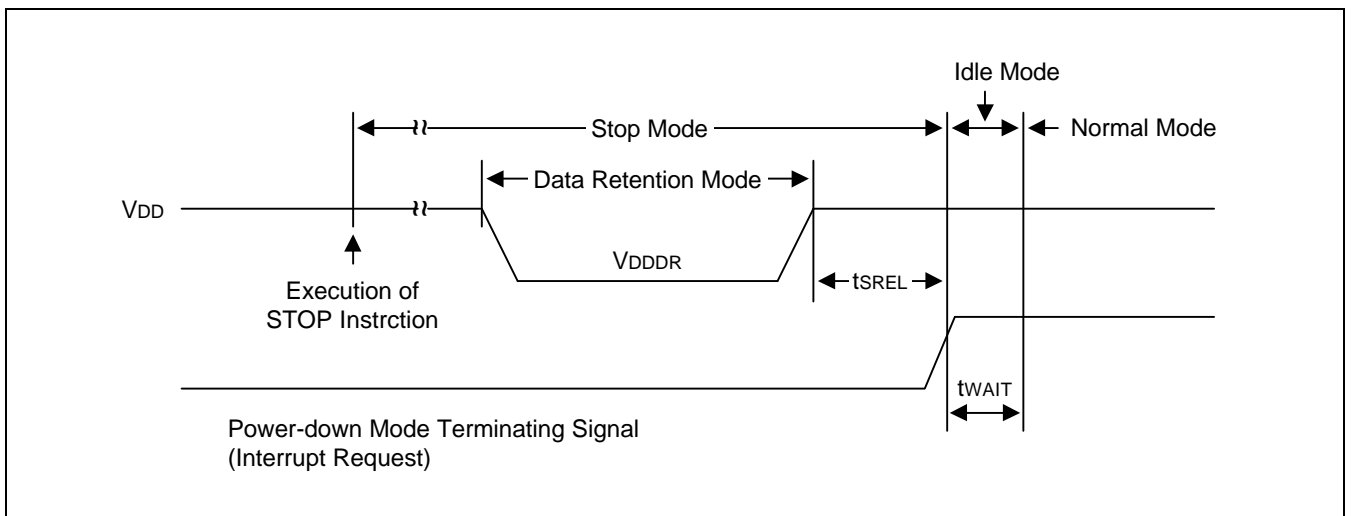


Figure 14-3. Stop Mode Release Timing When Initiated By Interrupt Request

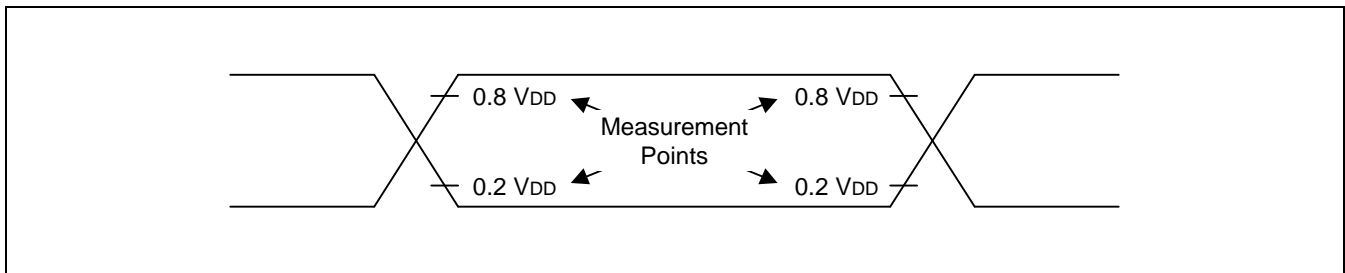


Figure 14-4. A.C. Timing Measurement Points (Except for X_{IN} and XT_{IN})

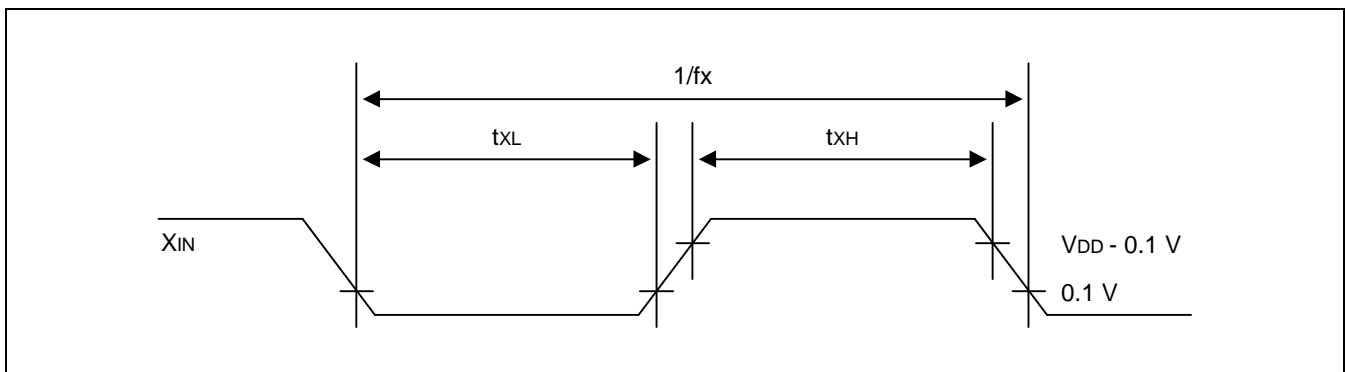


Figure 14-5. Clock Timing Measurement at X_{IN}

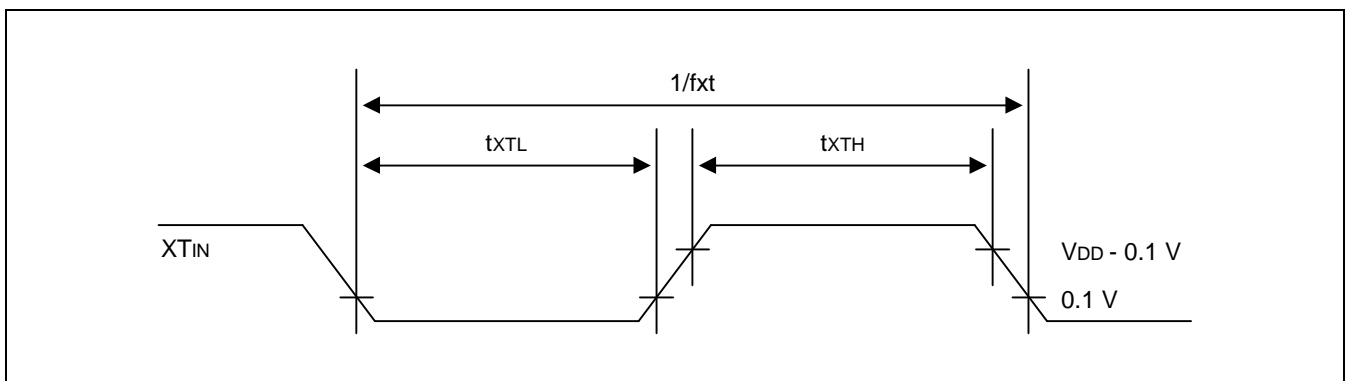


Figure 14-6. Clock Timing Measurement at XT_{IN}

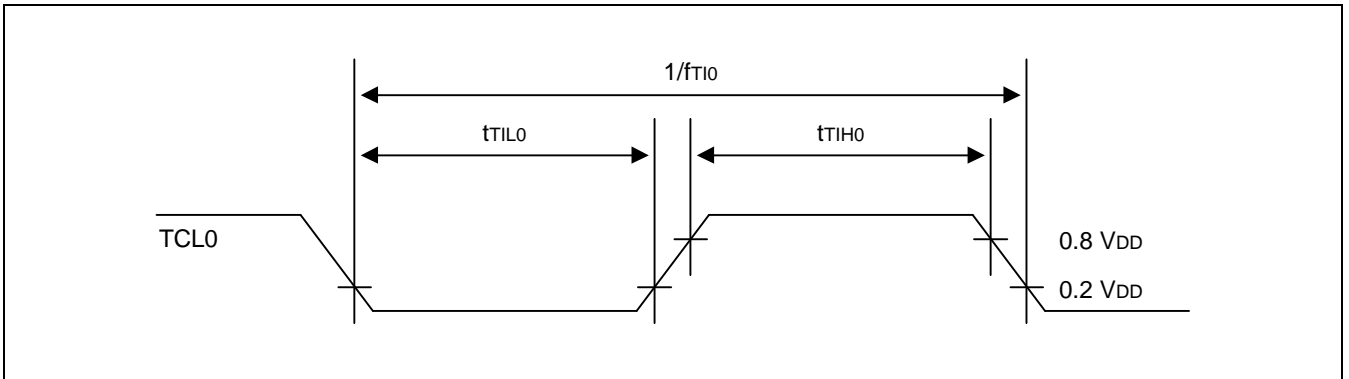


Figure 14-7. TCL0 Timing

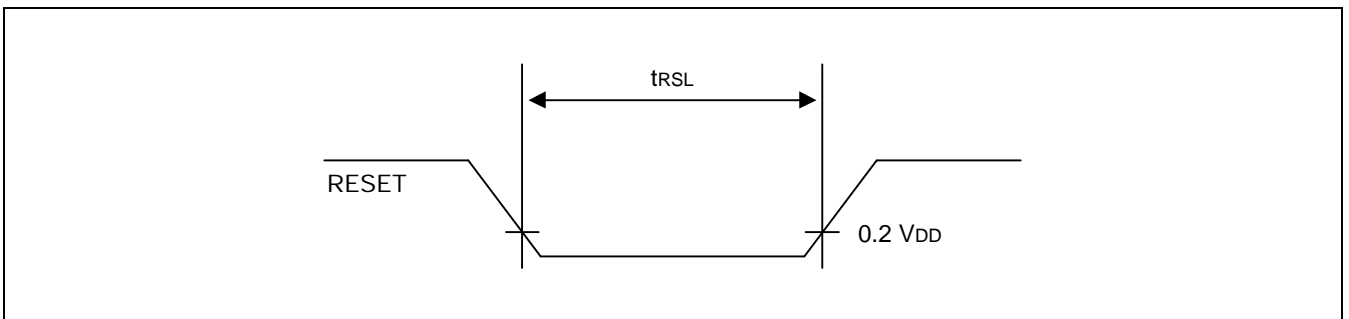


Figure 14-8. Input Timing for RESET Signal

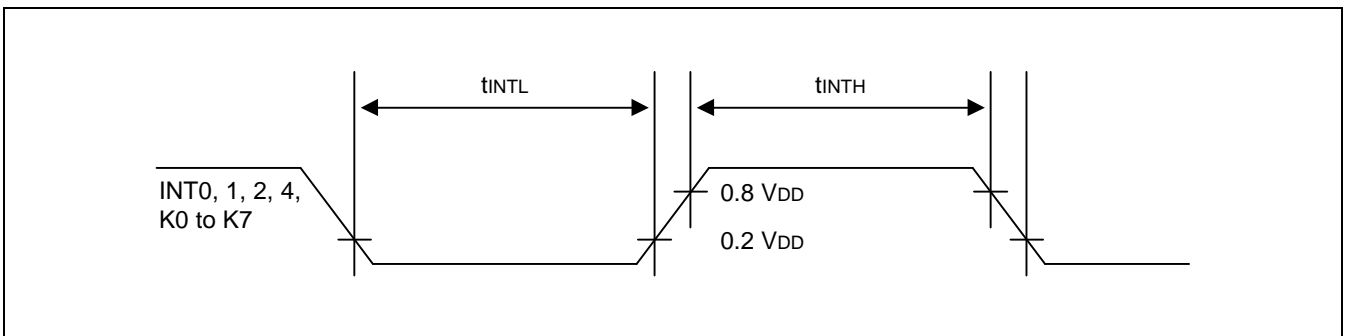


Figure 14-9. Input Timing for External Interrupts and Quasi-Interrupts

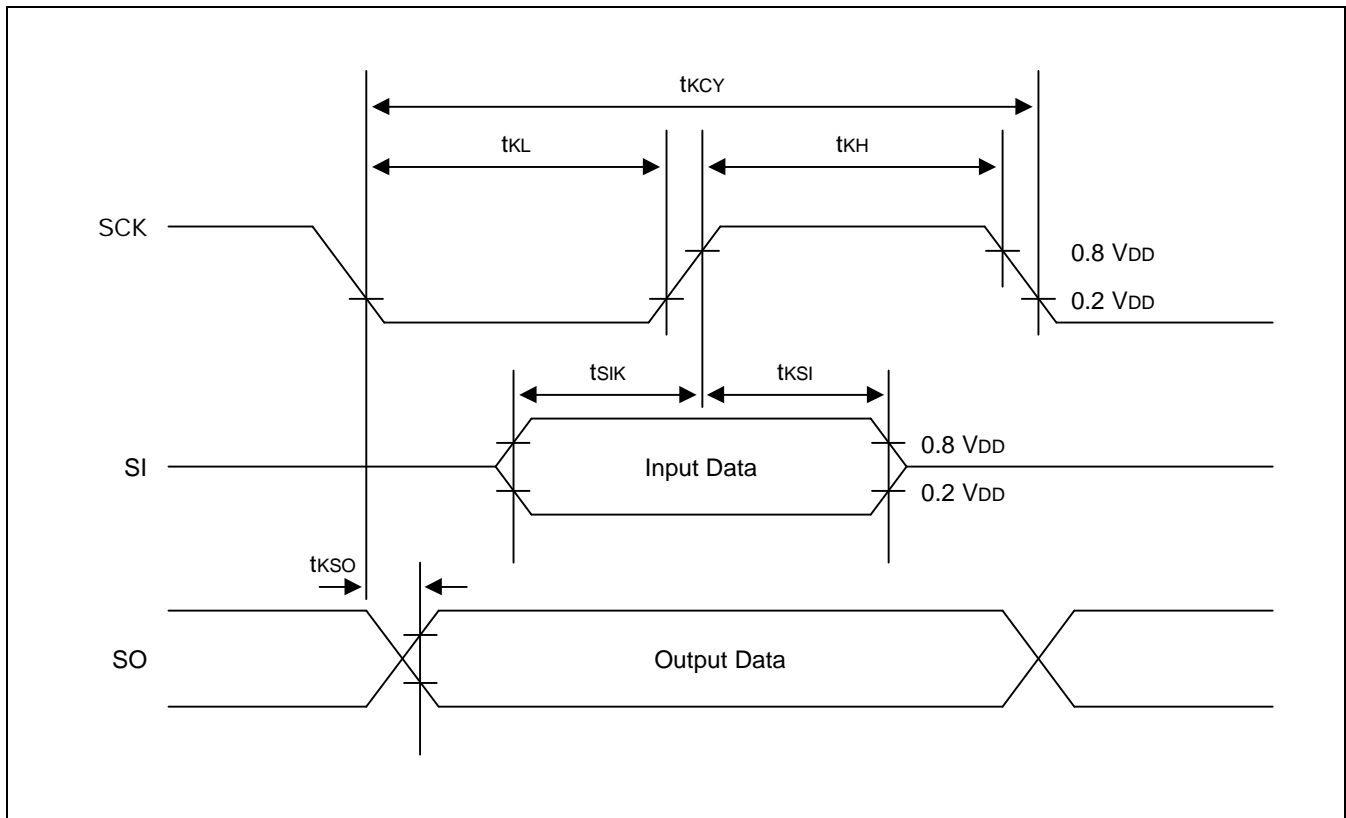


Figure 14-10. Serial Data Transfer Timing

15

MECHANICAL DATA

OVERVIEW

This section contains the following information about the device package:

- Package dimensions in millimeters
- Pad diagram
- Pad/pin coordinate data table

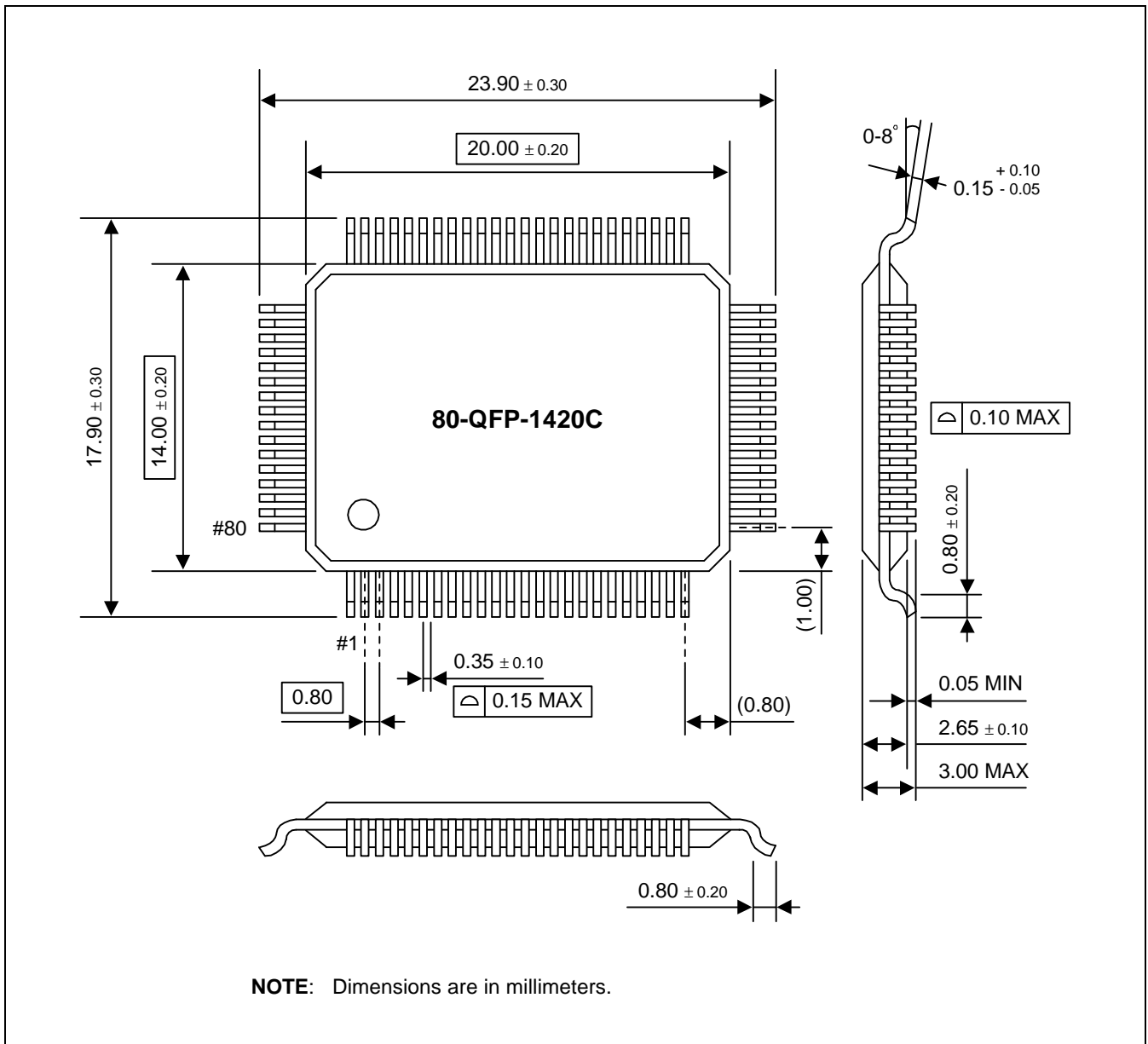


Figure 15-1. 80-QFP-1420C Package Dimensions

16

S3P72N8/P72N5 OTP

OVERVIEW

The S3P72N8/P72N5 single-chip CMOS microcontroller is the OTP (One Time Programmable) version of the S3C72N8/C72N5 microcontroller. It has an on-chip EPROM instead of masked ROM. The EPROM is accessed by a serial data format.

The S3P72N8/P72N5 is fully compatible with the S3C72N8/C72N5, both in function and in pin configuration. Because of its simple programming requirements, the S3P72N8/P72N5 is ideal for use as an evaluation chip for the S3C72N8/C72N5.

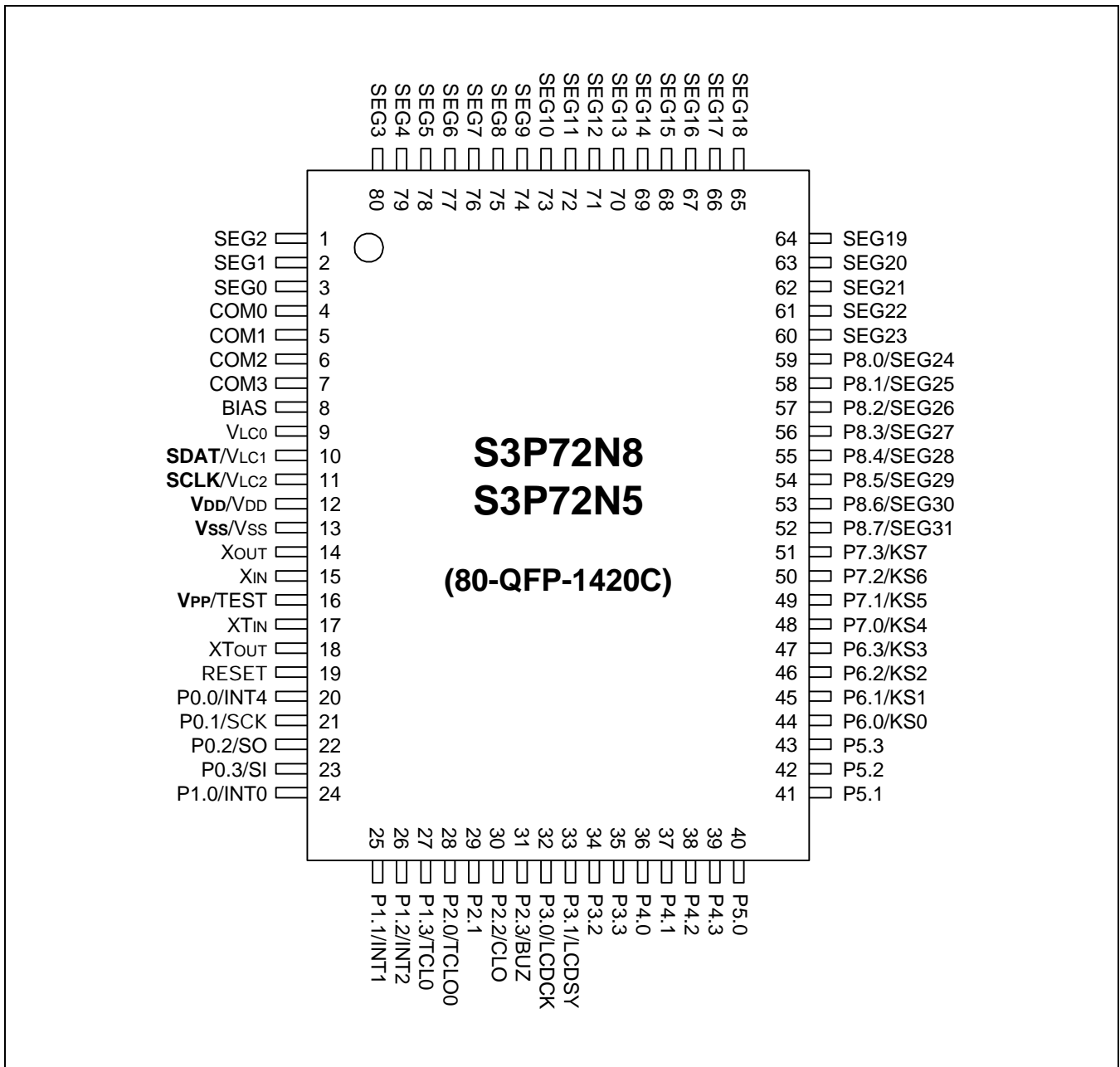


Figure 16-1. S3P72N8/P72N5 Pin Assignments (80-QFP)

Table 16-1. Pin Descriptions Used to Read/Write the EPROM

Main Chip	During Programming			
Pin Name	Pin Name	Pin No.	I/O	Function
V_{LC1}	SDAT	10	I/O	Serial data pin. Output port when reading and input port when writing can be assigned as Input/push-pull output port respectively.
V_{LC2}	SCLK	11	I/O	Serial clock pin. Input only pin.
TEST	V_{PP} (TEST)	16	I	Power supply pin for EPROM cell writing (indicates that OTP enters into the writing mode). When 12.5 V is applied, OTP is in writing mode and when 5 V is applied, OTP is in reading mode. (Option)
RESET	RESET	19	I	Chip initialization
V_{DD}/V_{SS}	V_{DD}/V_{SS}	12/13	I	Logic power supply pin. V_{DD} should be tied to +5 V during programming.

Table 16-2. Comparison of S3P72N8/P72N5 and S3C72N8/C72N5 Features

Characteristic	S3P72N8/P72N5	S3C72N8/C72N5
Program Memory	8 K/16 K-byte EPROM	8 K/16-Kbyte mask ROM
Operating Voltage (V_{DD})	1.8 V to 5.5 V	1.8 V to 5.5 V
OTP Programming Mode	$V_{DD} = 5$ V, V_{PP} (TEST) = 12.5 V	–
Pin Configuration	80 QFP	80 QFP
EPROM Programmability	User Program 1 time	Programmed at the factory

OPERATING MODE CHARACTERISTICS

When 12.5 V is supplied to the V_{PP} (TEST) pin of the S3P72N8/P72N5, the EPROM programming mode is entered. The operating mode (read, write, or read protection) is selected according to the input signals to the pins listed in Table 16-3 below.

Table 16-3. Operating Mode Selection Criteria

V_{DD}	V_{PP} (TEST)	REG/MEM	Address (A15-A0)	R/W	Mode
5 V	5 V	0	0000H	1	EPROM read
	12.5V	0	0000H	0	EPROM program
	12.5V	0	0000H	1	EPROM verify
	12.5V	1	0E3FH	0	EPROM read protection

NOTE: "0" means low level; "1" means high level.

Table 16-4. Absolute Maximum Ratings

(T_A = 25 °C)

Parameter	Symbol	Conditions	Rating	Units
Supply Voltage	V _{DD}	–	– 0.3 to + 6.5	V
Input Voltage	V _{I1}	All I/O ports	– 0.3 to V _{DD} + 0.3	
Output Voltage	V _O	–	– 0.3 to V _{DD} + 0.3	
Output Current High	I _{OH}	One I/O pin active	– 15	mA
		All I/O ports active	– 35	
Output Current Low	I _{OL}	One I/O pin active	+ 30 (Peak value)	
			+ 15 (note)	
		Total value for ports 0, 2, 3, and 5	+ 100 (Peak value)	
			+ 60 (note)	
Total value for ports 4, 6, and 7	+ 100			
	+ 60 (note)			
Operating Temperature	T _A	–	– 40 to + 85	°C
Storage Temperature	T _{stg}	–	– 65 to + 150	

NOTE: The values for Output Current Low (I_{OL}) are calculated as Peak Value × √Duty .

Table 16-5. D.C. Electrical Characteristics

(T_A = – 40 °C to + 85 °C, V_{DD} = 1.8 V to 5.5 V)

Parameter	Symbol	Conditions	Min	Typ	Max	Units
Input high voltage	V _{IH1}	All input pins except those specified below for V _{IH2} , V _{IH3}	0.7 V _{DD}	–	V _{DD}	V
	V _{IH2}	Ports 0, 1, 6, 7 and RESET	0.8 V _{DD}	–	V _{DD}	
	V _{IH3}	X _{IN} , X _{OUT} , XT _{IN} and XT _{OUT}	V _{DD} – 0.1	–	V _{DD}	
Input low voltage	V _{IL1}	Ports 2, 3, 4 and 5	–	–	0.3 V _{DD}	V
	V _{IL2}	Ports 0, 1, 6, 7 and RESET	–	–	0.2 V _{DD}	
	V _{IL3}	X _{IN} , X _{OUT} , XT _{IN} and XT _{OUT}	–	–	0.1	
Output high voltage	V _{OH1}	V _{DD} = 4.5 V to 5.5 V Ports 0, 2, 3, 4, 5, 6, 7 and BIAS I _{OH} = – 1 mA	V _{DD} – 1.0	–	–	V
	V _{OH2}	V _{DD} = 4.5 V to 5.5 V Port 8 ONLY I _{OH} = – 100 μA	V _{DD} – 2.0	–	–	

Table 16-5. D.C. Electrical Characteristics (Continued)

(T_A = -40 °C to +85 °C, V_{DD} = 1.8 V to 5.5 V)

Parameter	Symbol	Conditions	Min	Typ	Max	Units
Output low voltage	V _{OL1}	V _{DD} = 4.5 V to 5.5 V, Ports 0, 2-7 I _{OL} = 15 mA	-	0.4	2	V
	V _{OL2}	V _{DD} = 4.5 V to 5.5 V, Port 8 only I _{OL} = 100 μA	-	-	1	
Input high leakage current	I _{LH1}	V _{IN} = V _{DD} All input pins except those specified below for I _{LH2}	-	-	3	μA
	I _{LH2}	V _{IN} = V _{DD} X _{IN} , X _{OUT} , XT _{IN} and XT _{OUT}	-	-	20	
Input low leakage current	I _{LIL1}	V _{IN} = 0 V All input pins except X _{IN} , X _{OUT} , XT _{IN} and XT _{OUT}	-	-	-3	
	I _{LIL2}	V _{IN} = 0 V X _{IN} , X _{OUT} , XT _{IN} and XT _{OUT}	-	-	-20	
Output high leakage current	I _{LOH1}	V _{OUT} = V _{DD} All output pins	-	-	3	μA
Output low leakage current	I _{LOL}	V _{OUT} = 0 V All output pins	-	-	-3	
Pull-up resistor	R _{L1}	Ports 0-7 V _{IN} = 0 V; V _{DD} = 5 V	25	47	100	KΩ
		V _{DD} = 3 V	50	95	200	
	R _{L2}	V _{IN} = 0 V; V _{DD} = 5 V, RESET	100	220	400	
		V _{DD} = 3 V	200	450	800	
LCD voltage dividing resistor	R _{LCD}	T _A = 25 °C	50	93	140	
COM output impedance	R _{COM}	V _{DD} = 5 V	-	3	6	
		V _{DD} = 3 V		5	15	
SEG output impedance	R _{SEG}	V _{DD} = 5 V		3	6	
		V _{DD} = 3 V		5	15	
COM output voltage deviation	V _{DC}	V _{DD} = 5 V (V _{LC0} -COMi) I _o = ±15μA (I = 0-3)	-	±45	±90	mV
SEG output voltage deviation	V _{DS}	V _{DD} = 5 V (V _{LC0} -SEGi) I _o = ±15μA (I = 0-31)	-	±45	±90	mV

Table 16-5. D.C. Electrical Characteristics (Concluded)

(T_A = -40 °C to +85 °C, V_{DD} = 1.8 V to 5.5 V)

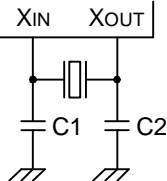
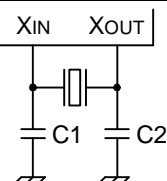
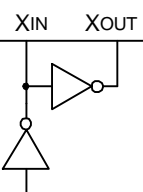
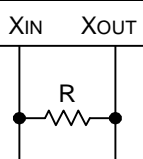
Parameter	Symbol	Conditions		Min	Typ	Max	Units
V _{LC0} Output voltage	V _{LC0}	T _A = 25 °C		0.6 V _{DD} - 0.2	0.6 V _{DD}	0.6 V _{DD} + 0.2	V
V _{LC1} Output voltage	V _{LC1}	T _A = 25 °C		0.4 V _{DD} - 0.2	0.4 V _{DD}	0.4 V _{DD} + 0.2	
V _{LC2} Output voltage	V _{LC2}	T _A = 25 °C		0.2 V _{DD} - 0.2	0.2 V _{DD}	0.2 V _{DD} + 0.2	
Supply Current (1)	I _{DD1} (2)	Main operating: V _{DD} = 5 V ± 10% CPU = fx/4 SCMOD = 0000B crystal oscillator C1 = C2 = 22pF	6.0 MHz 4.19 MHz	-	3.5 2.5	8 5.5	mA
		V _{DD} = 3 V ± 10%	6.0 MHz 4.19 MHz		1.6 1.2	4 3	
	I _{DD2} (2)	Main Idle mode; V _{DD} = 5 V ± 10% CPU = fx/4 SCMOD = 0000B crystal oscillator C1 = C2 = 22pF	6.0 MHz 4.19 MHz	-	1.0 0.9	2.5 2.0	
		V _{DD} = 3 V ± 10%	6.0 MHz 4.19 MHz		0.5 0.4	1.0 0.8	
	I _{DD3}	Sub operating: V _{DD} = 3 V ± 10% CPU = fxt/4 SCMOD = 1001B 32 kHz crystal oscillator		-	15	30	μA
	I _{DD4}	Sub Idle mode; V _{DD} = 3 V ± 10% CPU = fxt/4, SCMOD = 1001B 32 kHz crystal oscillator		-	6	15	
	I _{DD5}	Stop mode; V _{DD} = 5 V ± 10%, XT _{IN} = 0 V CPU = fxt/4, SCMOD = 0000B		-	2.5	5	
	I _{DD6} (3)	Stop mode; V _{DD} = 5 V ± 10% CPU = fx/4, SCMOD = 0100B		-	0.5	3	

NOTES:

1. D.C. electrical values for supply current (I_{DD1} to I_{DD6}) do not include current drawn through internal pull-up resistors and through LCD voltage dividing resistors.
2. Data includes the power consumption for sub-system clock oscillation.
3. When the system clock mode register, SCMOD, is set to 0100B, the sub-system clock oscillation stops. The main-system clock oscillation stops by the STOP instruction.

Table 16-6. Main System Clock Oscillator Characteristics

(T_A = -40 °C + 85 °C, V_{DD} = 1.8 V to 5.5 V)

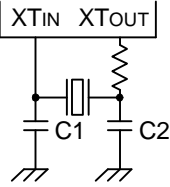
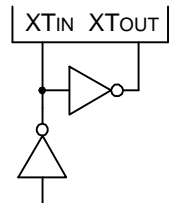
Oscillator	Clock Configuration	Parameter	Test Condition	Min	Typ	Max	Units
Ceramic Oscillator		Oscillation frequency ⁽¹⁾	–	0.4	–	6.0	MHz
		Stabilization time ⁽²⁾	Stabilization occurs when V _{DD} is equal to the minimum oscillator voltage range.	–	–	4	ms
Crystal Oscillator		Oscillation frequency ⁽¹⁾	–	0.4	–	6.0	MHz
		Stabilization time ⁽²⁾	V _{DD} = 4.5 V to 5.5 V	–	–	10	ms
			V _{DD} = 1.8 V to 4.5 V	–	–	30	
External Clock		X _{IN} input frequency ⁽¹⁾	–	0.4	–	6.0	MHz
		X _{IN} input high and low level width (t _{XH} , t _{XL})	–	83.3	–	–	ns
RC Oscillator		Frequency ⁽¹⁾	V _{DD} = 5 V R = 20 KΩ, V _{DD} = 5 V R = 38 KΩ, V _{DD} = 3 V	0.4	– 2.0 1.0	2	MHz

NOTES:

- Oscillation frequency and X_{IN} input frequency data are for oscillator characteristics only.
- Stabilization time is the interval required for oscillator stabilization after a power-on occurs, or when stop mode is terminated.

Table 16-7. Subsystem Clock Oscillator Characteristics

(T_A = -40 °C + 85 °C, V_{DD} = 1.8 V to 5.5 V)

Oscillator	Clock Configuration	Parameter	Test Condition	Min	Typ	Max	Units
Crystal Oscillator		Oscillation frequency ⁽¹⁾	–	32	32.768	35	kHz
		Stabilization time ⁽²⁾	V _{DD} = 4.5 V to 5.5 V	–	1.0	2	s
			V _{DD} = 1.8 V to 4.5 V	–	–	10	
External Clock		XT _{IN} input frequency ⁽¹⁾	–	32	–	100	kHz
		XT _{IN} input high and low level width (t _{XTL} , t _{XTH})	–	5	–	15	μs

NOTES:

- Oscillation frequency and XT_{IN} input frequency data are for oscillator characteristics only.
- Stabilization time is the interval required for oscillating stabilization after a power-on occurs.

Table 16-8. Input/Output Capacitance

(T_A = 25 °C, V_{DD} = 0 V)

Parameter	Symbol	Condition	Min	Typ	Max	Units
Input capacitance	C _{IN}	f = 1 MHz; Unmeasured pins are returned to V _{SS}	–	–	15	pF
Output capacitance	C _{OUT}		–	–	15	pF
I/O capacitance	C _{IO}		–	–	15	pF

Table 16-9. A.C. Electrical Characteristics

(T_A = -40 °C to +85 °C, V_{DD} = 1.8 V to 5.5 V)

Parameter	Symbol	Conditions	Min	Typ	Max	Units
Instruction cycle time (1)	t _{CY}	V _{DD} = 2.7 V to 5.5 V	0.67	–	64	μs
		V _{DD} = 1.8 V to 5.5 V	0.95	–	64	
		With subsystem clock (fxt)	114	122	125	
TCL0 input frequency	f _{TIO}	V _{DD} = 2.7 V to 5.5 V	0	–	1.5	MHz
		V _{DD} = 1.8 V to 5.5 V			1	MHz
TCL0 input high, low width	t _{TIH0} , t _{TIL0}	V _{DD} = 2.7 V to 5.5 V	0.48	–	–	μs
		V _{DD} = 1.8 V to 5.5 V	1.8			
SCK cycle time	t _{KCY}	V _{DD} = 2.7 V to 5.5 V External SCK source	800	–	–	ns
		Internal SCK source	650			
		V _{DD} = 1.8 V to 5.5 V External SCK source	3200			
		Internal SCK source	3800			
SCK high, low width	t _{KH} , t _{KL}	V _{DD} = 1.8 V to 5.5 V External SCK source	400	–	–	ns
		Internal SCK source	t _{KCY} /2 – 50			
		V _{DD} = 1.8 V to 5.5 V External SCK source	1600			
		Internal SCK source	t _{KCY} /2 – 150			
SI setup time to SCK high	t _{SIK}	External SCK source	100	–	–	ns
		Internal SCK source	150			
SI hold time to SCK high	t _{KSI}	External SCK source	400	–	–	ns
		Internal SCK source	400			
Output delay for SCK to SO	t _{KSO}	V _{DD} = 2.7 V to 5.5 V External SCK source	–	–	300	ns
		Internal SCK source			250	
		V _{DD} = 1.8 V to 5.5 V External SCK source			1000	
		Internal SCK source			1000	
Interrupt input high, low width	t _{INTH} , t _{INTL}	INT0	(2)	–	–	μs
		INT1, INT2, INT4, KS0-KS7	10			
RESET Input Low Width	t _{RSL}	Input	10	–	–	μs

NOTES:

- Unless otherwise specified, Instruction Cycle Time condition values assume a main system clock (fx) source.
- Minimum value for INT0 is based on a clock of 2t_{CY} or 128/fx as assigned by the IMOD0 register setting.

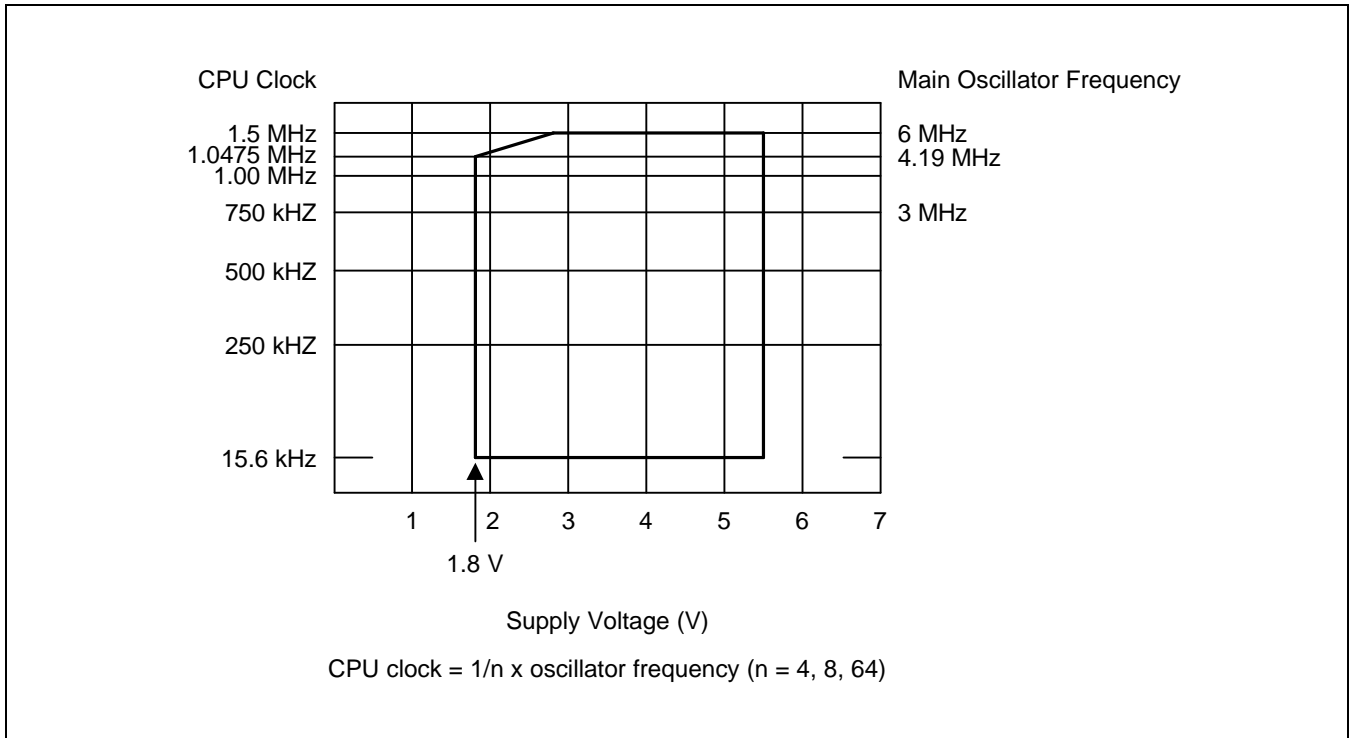


Figure 16-2. Standard Operating Voltage Range

Table 16-10. RAM Data Retention Supply Voltage in Stop Mode

(T_A = - 40 °C to + 85 °C)

Parameter	Symbol	Conditions	Min	Typ	Max	Unit
Data retention supply voltage	V _{DDDR}	Normal operation	1.8	-	6.5	V
Data retention supply current	I _{DDDR}	V _{DDDR} = 1.8 V	-	0.1	10	μs
Release signal set time	t _{SREL}	Normal operation	0	-	-	μs
Oscillator stabilization wait time (1)	t _{WAIT}	Released by RESET	-	2 ¹⁷ /fx	-	ms
		Released by interrupt	-	(2)	-	

NOTES:

1. During oscillator stabilization wait time, all CPU operations must be stopped to avoid instability during oscillator start-up.
2. Use the basic timer mode register (BMOD) interval timer to delay execution of CPU instructions during the wait time.

TIMING WAVEFORMS

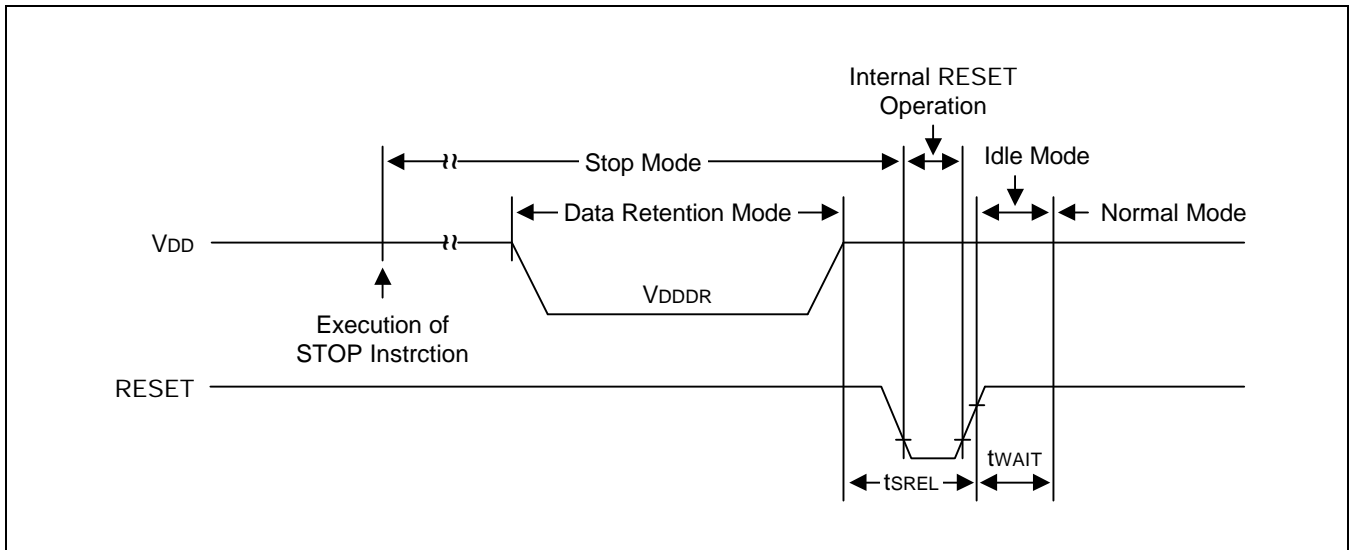


Figure 16-3. Stop Mode Release Timing When Initiated By RESET

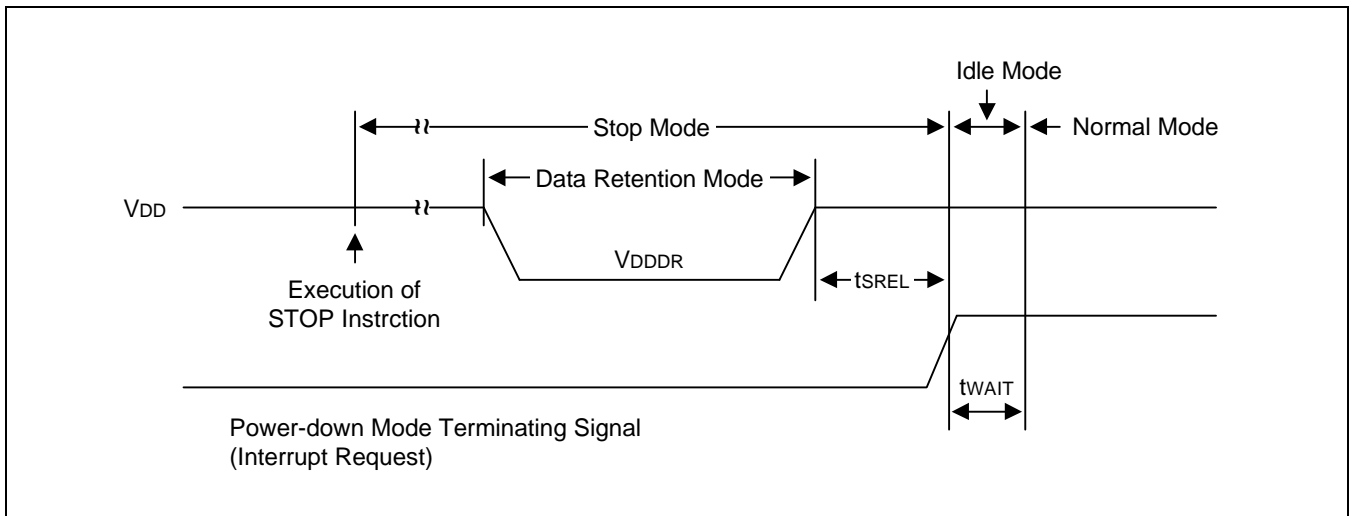


Figure 16-4. Stop Mode Release Timing When Initiated By Interrupt Request

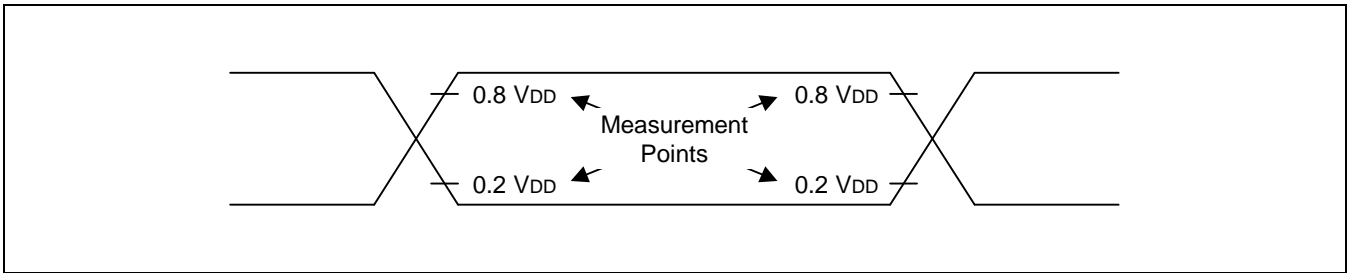


Figure 16-5. A.C. Timing Measurement Points (Except for X_{IN} and XT_{IN})

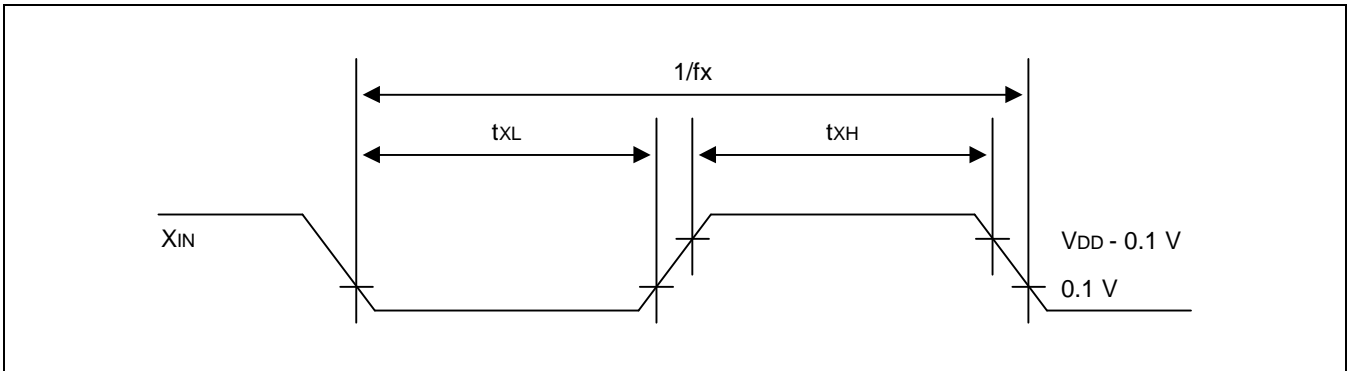


Figure 16-6. Clock Timing Measurement at X_{IN}

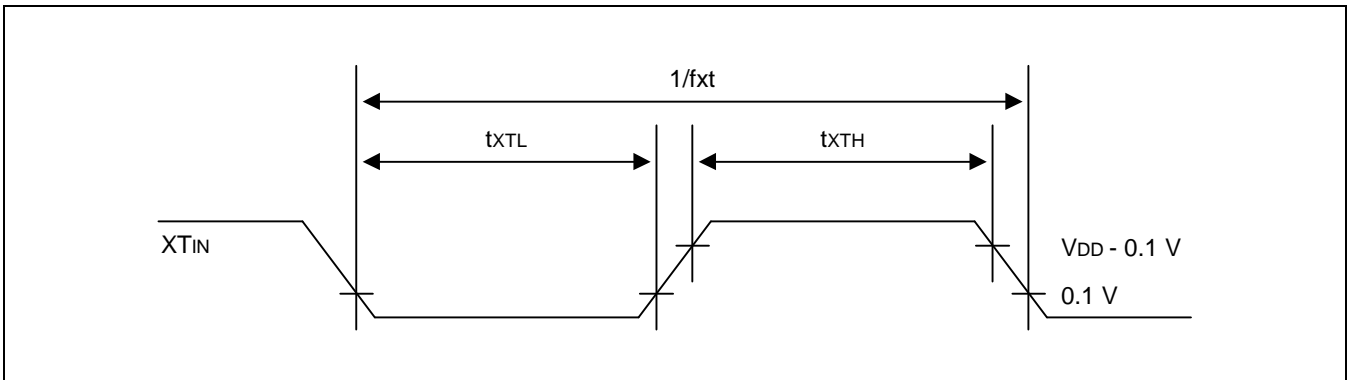


Figure 16-7. Clock Timing Measurement at XT_{IN}

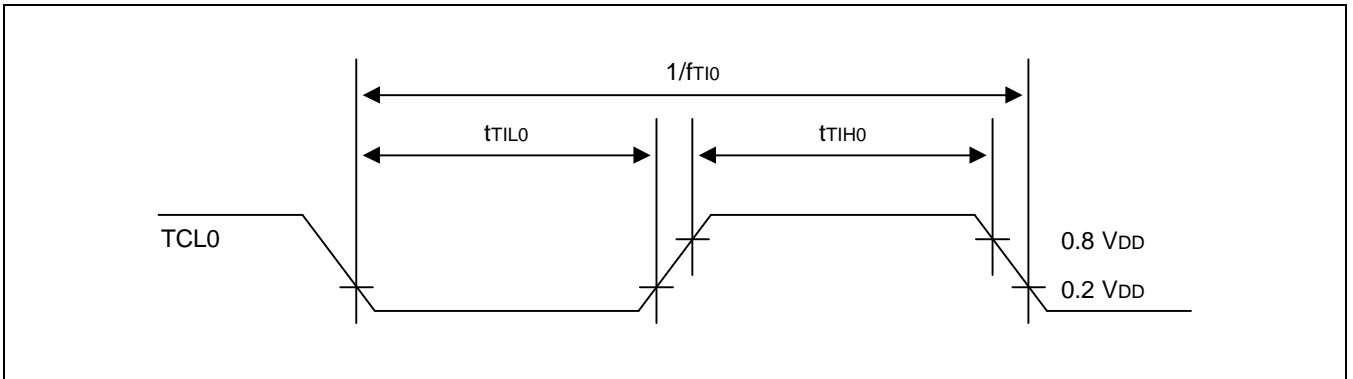


Figure 16-8. TCL0 Timing

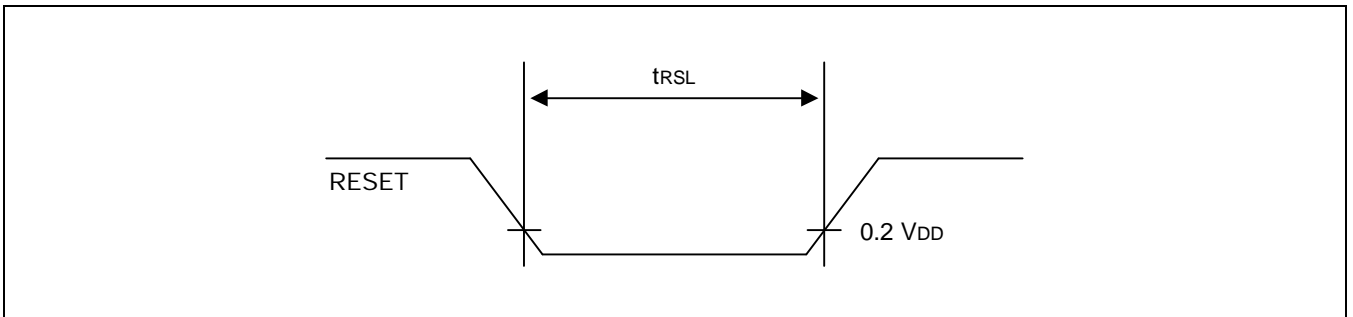


Figure 16-9. Input Timing for RESET Signal

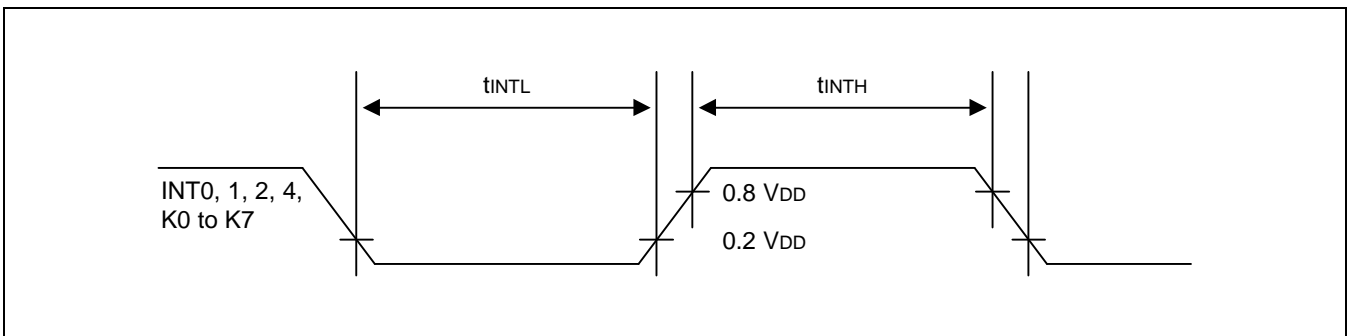


Figure 16-10. Input Timing for External Interrupts and Quasi-Interrupts

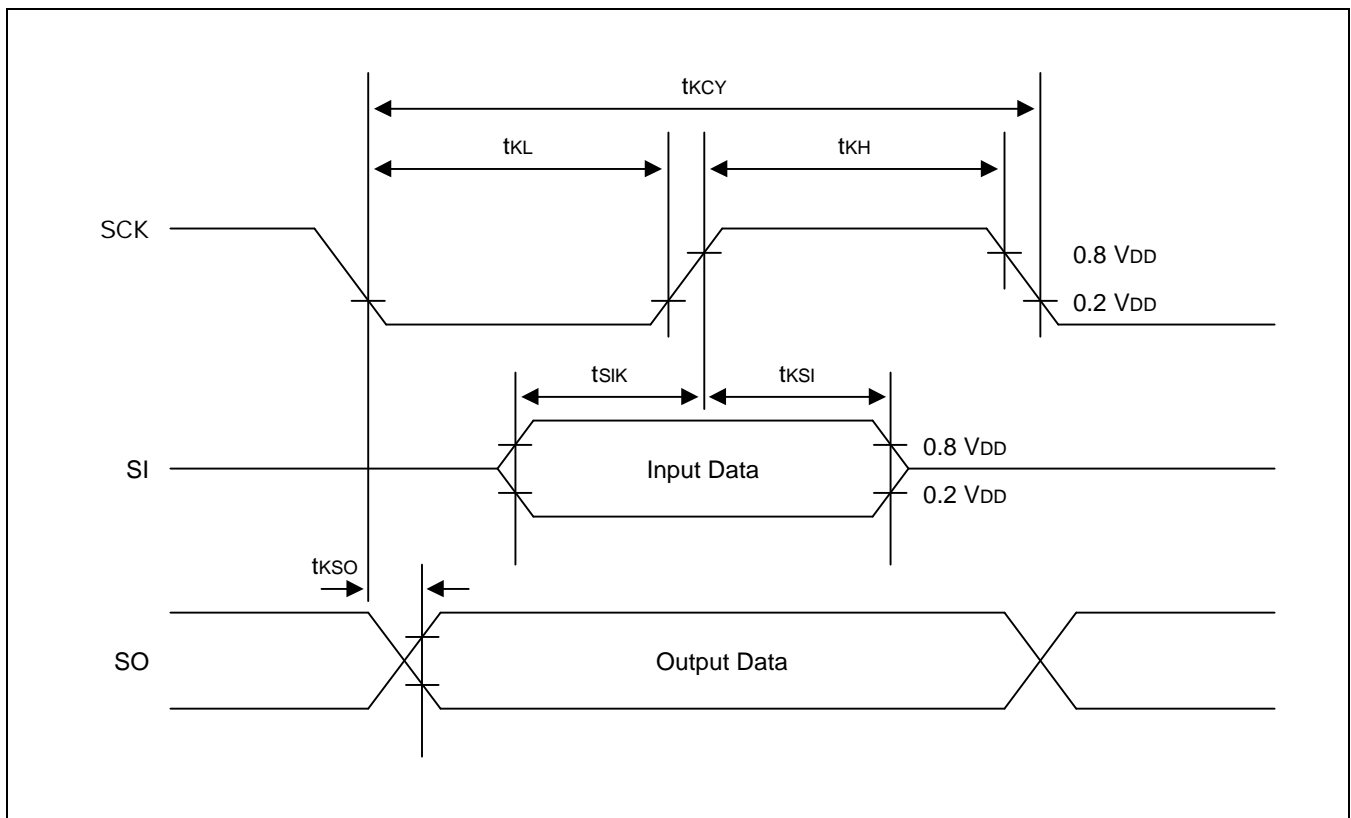


Figure 16-11. Serial Data Transfer Timing

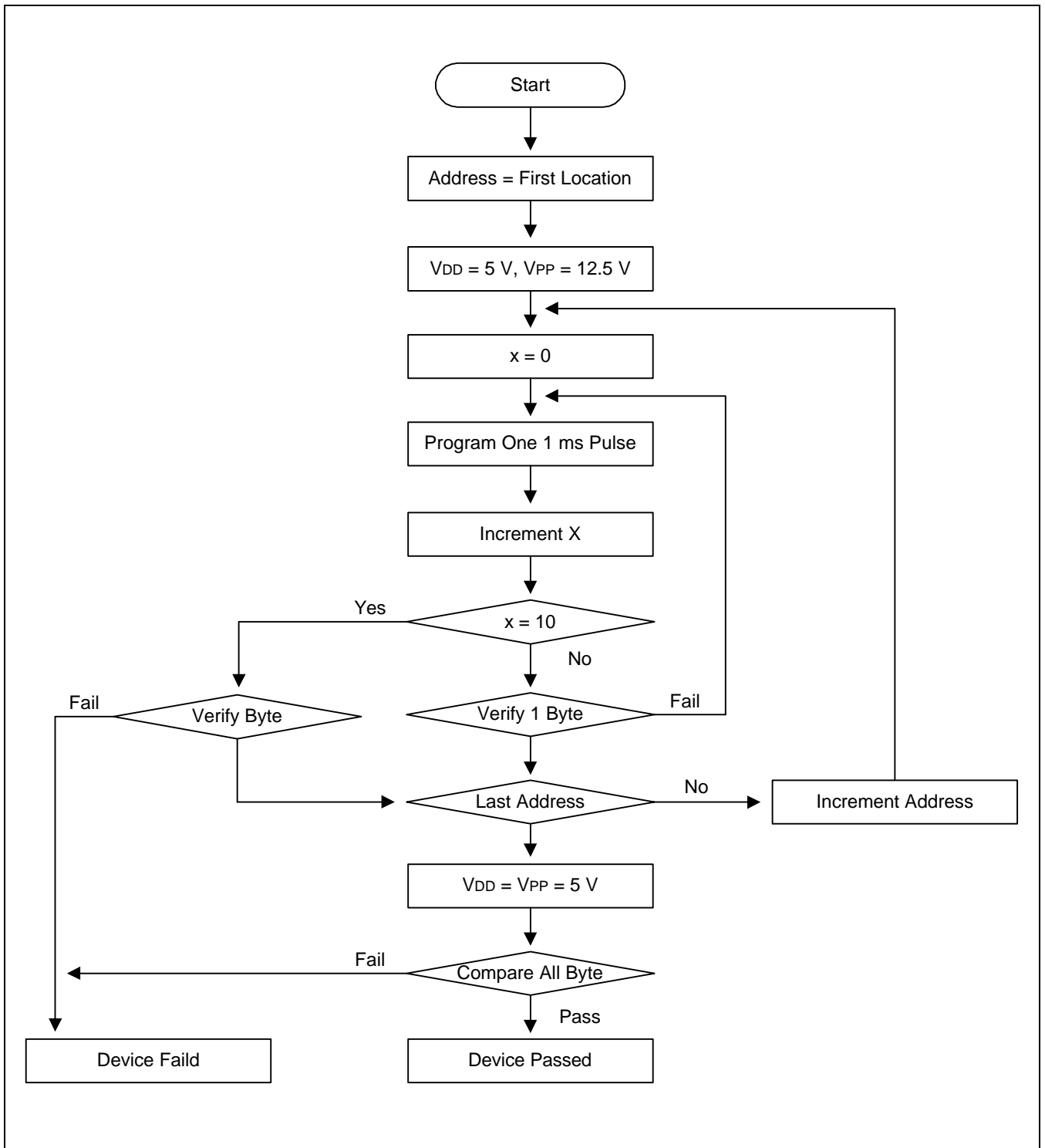


Figure 16-12. OTP Programming Algorithm

17

Development Tools

OVERVIEW

Samsung provides a powerful and easy-to-use development support system in turnkey form. The development support system is configured with a host system, debugging tools, and support software. For the host system, any standard computer that operates with MS-DOS as its operating system can be used. One type of debugging tool including hardware and software is provided: the sophisticated and powerful in-circuit emulator, SMDS2+, for S3C7, S3C9, S3C8 families of microcontrollers. The SMDS2+ is a new and improved version of SMDS2. Samsung also offers support software that includes debugger, assembler, and a program for setting options.

SHINE

Samsung Host Interface for In-Circuit Emulator, SHINE, is a multi-window based debugger for SMDS2+. SHINE provides pull-down and pop-up menus, mouse support, function/hot keys, and context-sensitive hyper-linked help. It has an advanced, multiple-windowed user interface that emphasizes ease of use. Each window can be sized, moved, scrolled, highlighted, added, or removed completely.

SAMA ASSEMBLER

The Samsung Arrangeable Microcontroller (SAM) Assembler, SAMA, is a universal assembler, and generates object code in standard hexadecimal format. Assembled program code includes the object code that is used for ROM data and required SMDS program control data. To assemble programs, SAMA requires a source file and an auxiliary definition (DEF) file with device specific information.

SASM57

The SASM57 is an relocatable assembler for Samsung's KS57-series microcontrollers. The SASM57 takes a source file containing assembly language statements and translates into a corresponding source code, object code and comments. The SASM57 supports macros and conditional assembly. It runs on the MS-DOS operating system. It produces the relocatable object code only, so the user should link object file. Object files can be linked with other object files and loaded into memory.

HEX2ROM

HEX2ROM file generates ROM code from HEX file which has been produced by assembler. ROM code must be needed to fabricate a microcontroller which has a mask ROM. When generating the ROM code (.OBJ file) by HEX2ROM, the value "FF" is filled into the unused ROM area upto the maximum ROM size of the target device automatically.

TARGET BOARDS

Target boards are available for all S3C7-series microcontrollers. All required target system cables and adapters are included with the device-specific target board.

OTPs

One time programmable microcontroller (OTP) for the S3C72N8/C72N5 microcontroller and OTP programmer (Gang) are now available.

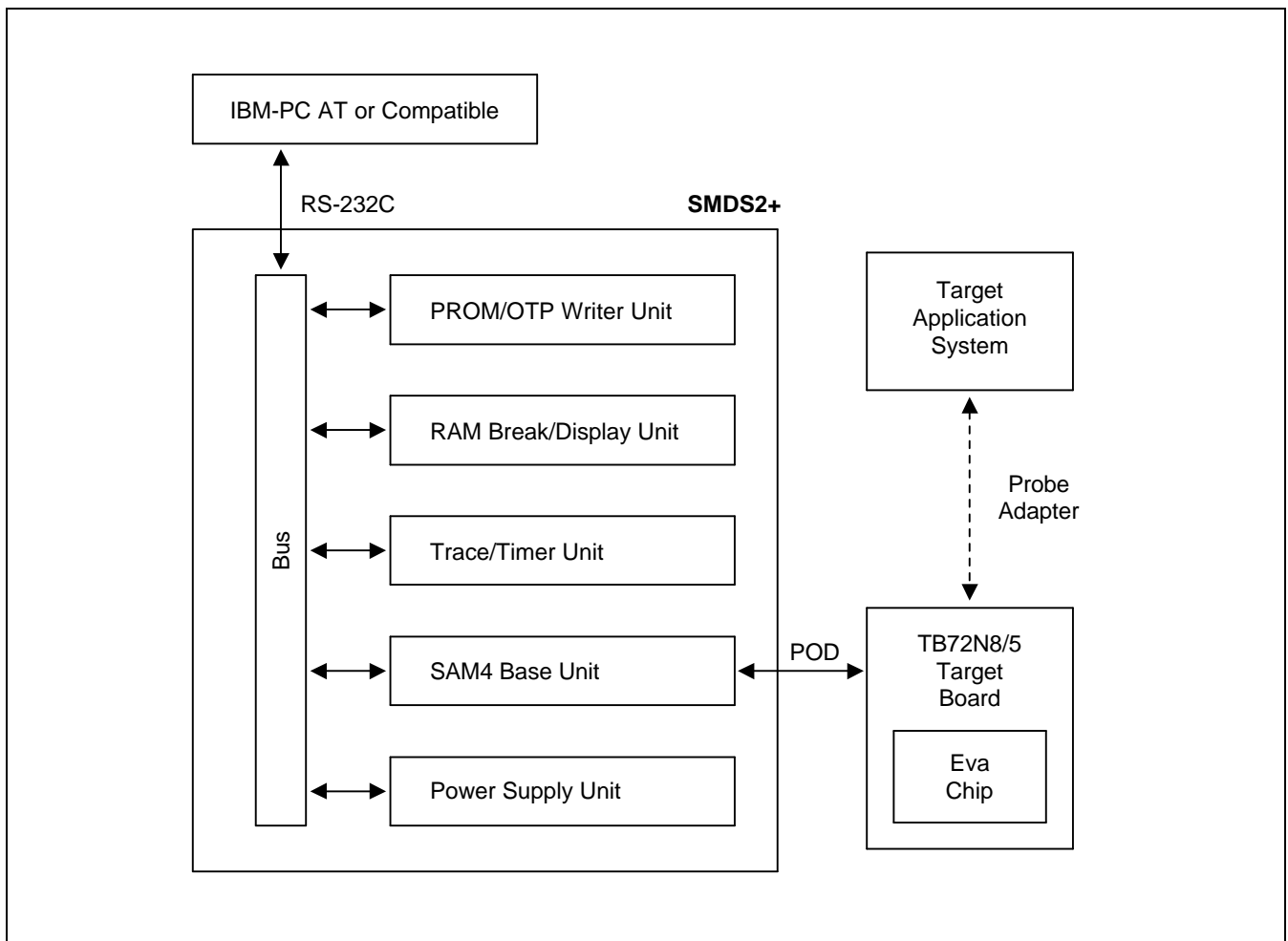


Figure 17-1. SMDS Product Configuration (SMDS2+)

TB72N8/5 TARGET BOARD

The TB72N8/5 target board is used for the S3C72N8/C72N5 microcontroller. It is supported by the SMDS2+ development system.

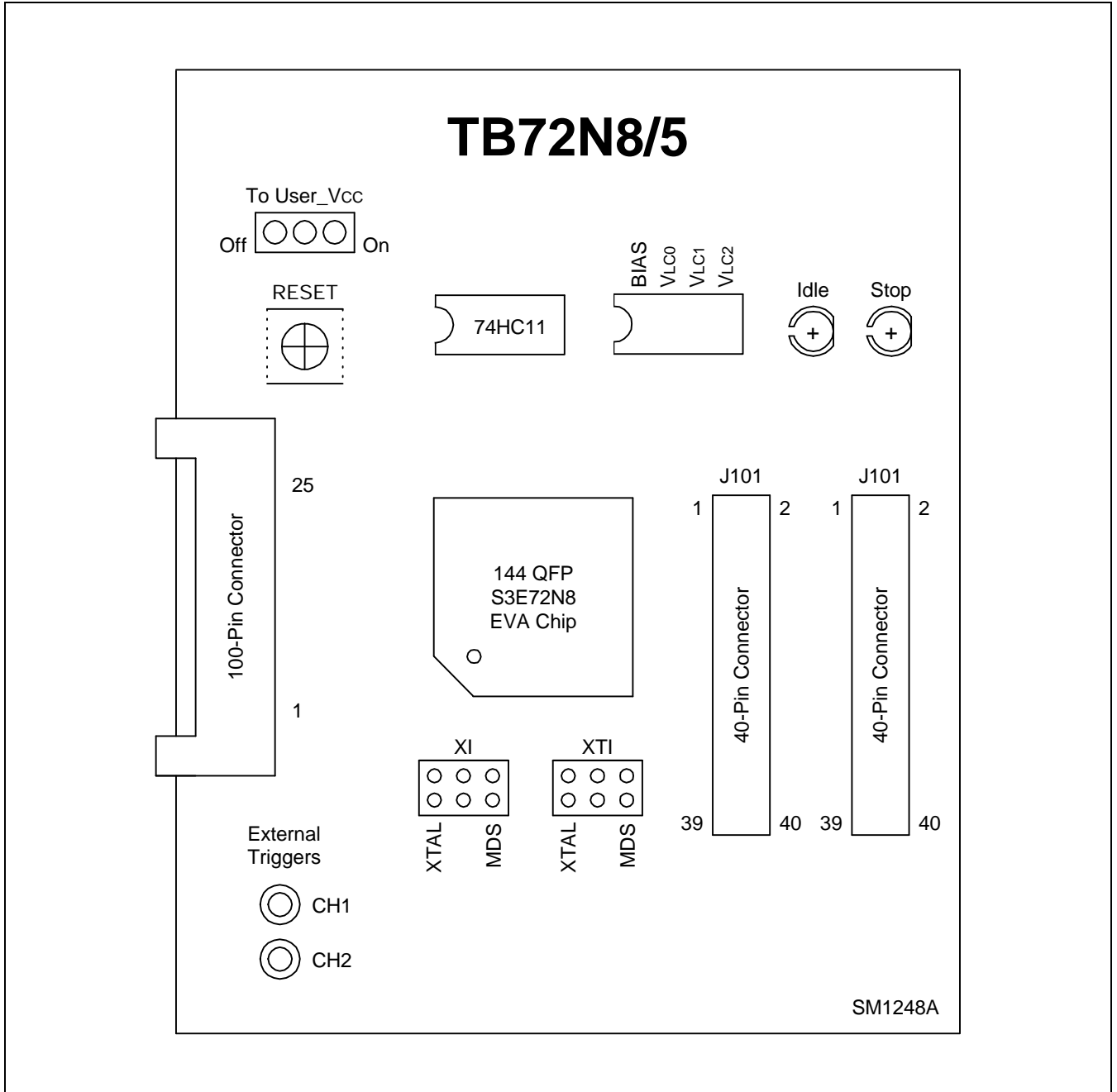


Figure 17-2. TB72N8/5 Target Board Configuration

Table 17-1. Power Selection Settings for TB72N8/5


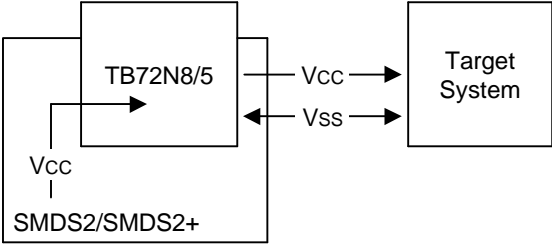

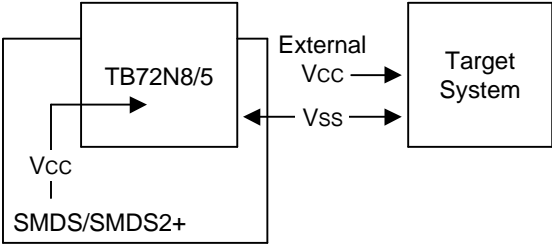
"To User_V _{CC} " Settings	Operating Mode	Comments
<p>To User_V_{CC} OFF  ON</p>		<p>The SMDS2/SMDS2+ supplies V_{CC} to the target board (evaluation chip) and the target system.</p>
<p>To User_V_{CC} OFF  ON</p>		<p>The SMDS2/SMDS2+ supplies V_{CC} only to the target board (evaluation chip). The target system must have its own power supply.</p>

Table 17-2. Main-clock Selection Settings for TB72N8/5

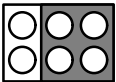
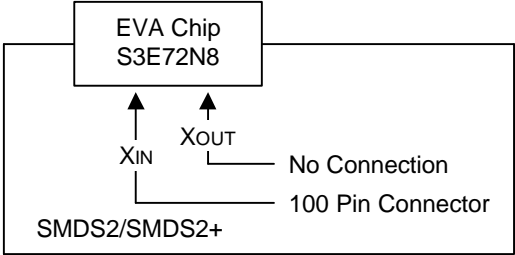
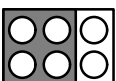
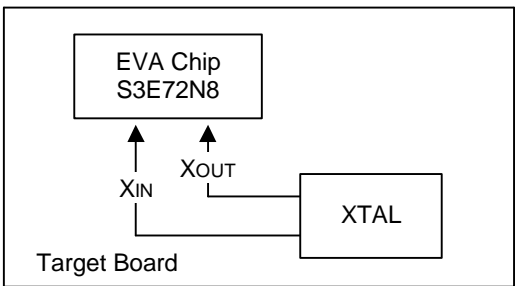
Sub Clock Setting	Operating Mode	Comments
<p>XTAL  MDS</p>		<p>Set the XI switch to "MDS" when the target board is connected to the SMDS2/SMDS2+.</p>
<p>XTAL  MDS</p>		<p>Set the XI switch to "XTAL" when the target board is used as a standalone unit, and is not connected to the SMDS2/SMDS2+.</p>

Table 17-3. Sub-clock Selection Settings for TB72N8/5

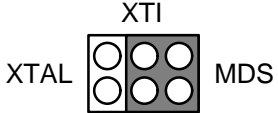
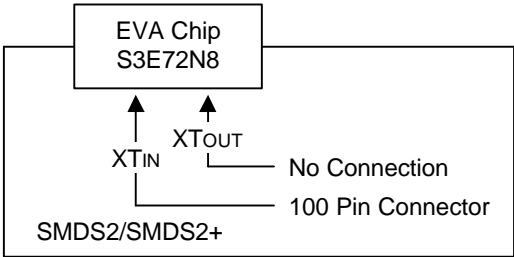
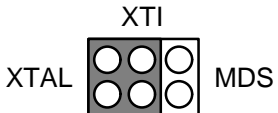
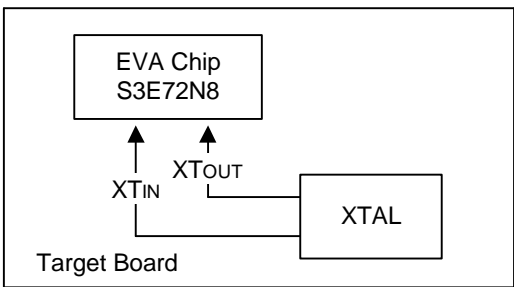
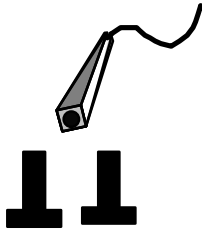
Sub Clock Setting	Operating Mode	Comments
		<p>Set the XTI switch to "MDS" when the target board is connected to the SMDS2/SMDS2+.</p>
		<p>Set the XTI switch to "XTAL" when the target board is used as a standalone unit, and is not connected to the SMDS2/SMDS2+.</p>

Table 17-4. Using Single Header Pins as the Input Path for External Trigger Sources

Target Board Part	Comments
<p>EXTERNAL TRIGGERS</p> <p>○ CH1</p> <p>○ CH2</p>	 <p>Connector from external trigger sources of the application system</p> <p>You can connect an external trigger source to one of the two external trigger channels (CH1 or CH2) for the SMDS2+ breakpoint and trace functions.</p>

IDLE LED

This LED is ON when the evaluation chip (S3E72N8) is in idle mode.

STOP LED

This LED is ON when the evaluation chip (S3E72N8) is in stop mode.

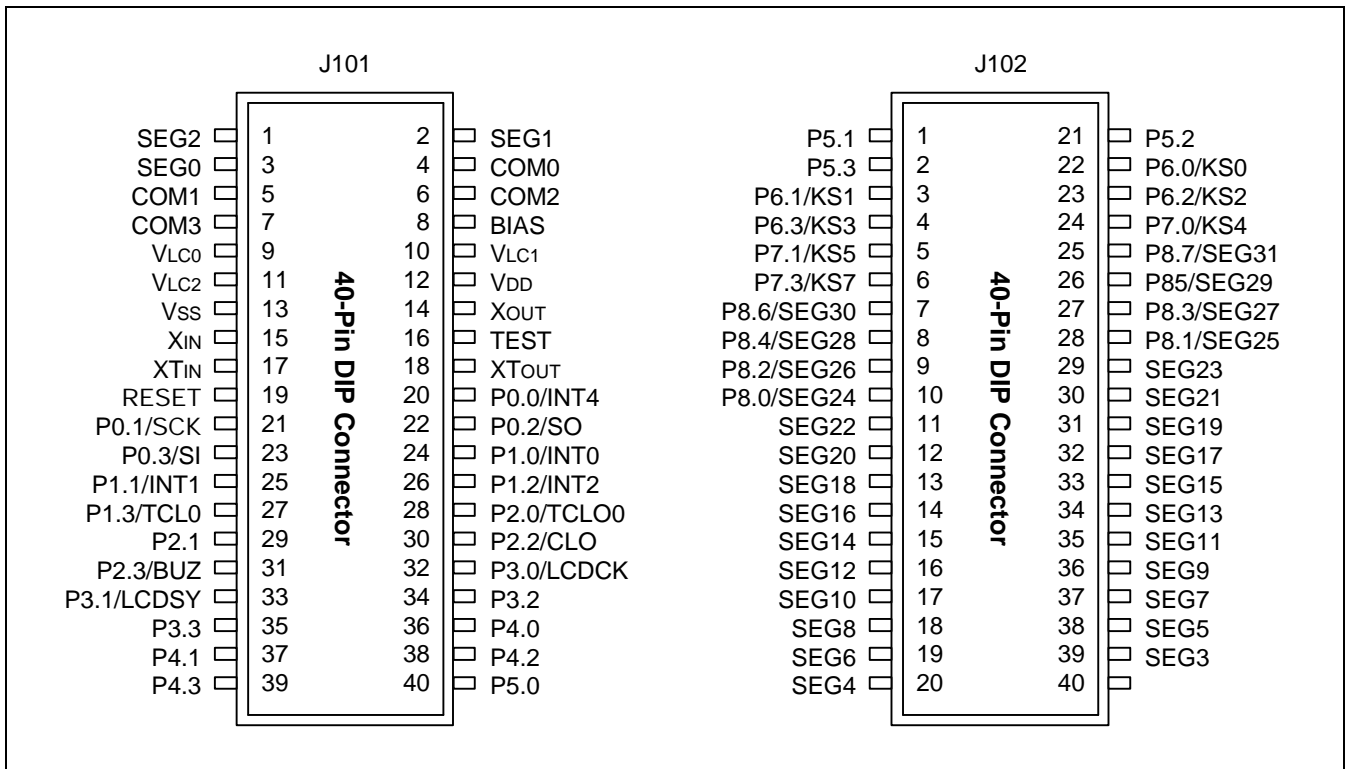


Figure 17-3. 40-Pin Connectors for TB72N8/5

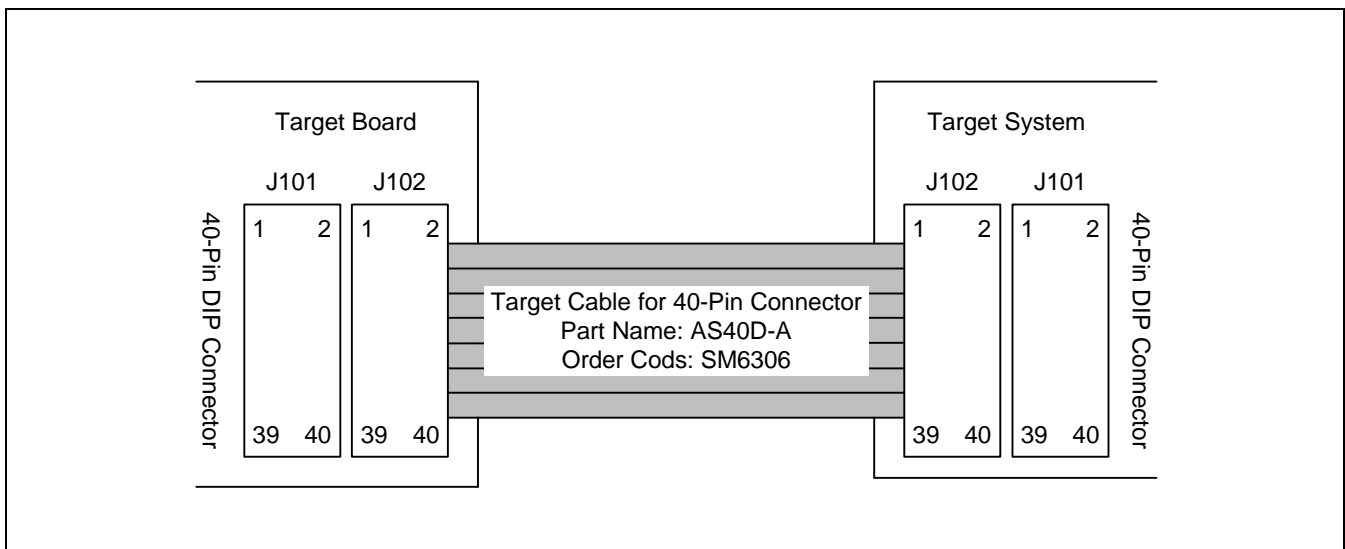


Figure 17-4. TB72N8/5 Adapter Cable for 80-QFP Package (S3C72N8/C72N5)