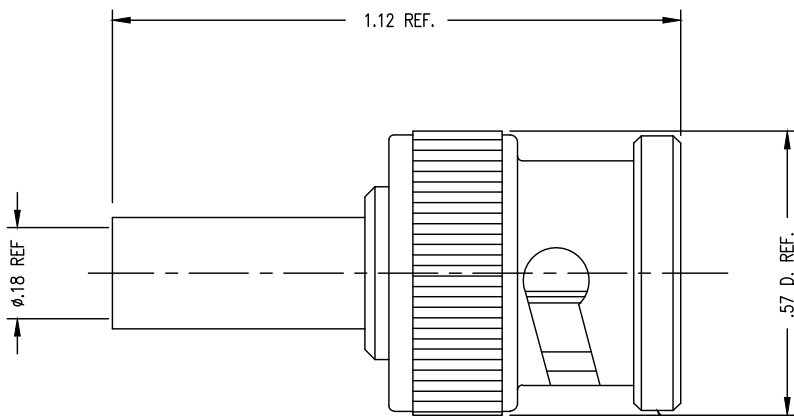



DASH NO.	M CODE	MADE FROM
----------	--------	-----------



MARK: 91836 M39012/16-0016
755-119-5 (DATE CODE)

NOTES:

1. FOR USE WITH RG-122 CABLE GROUPS.
2. FOR CABLING INSTRUCTIONS SEE CP-465.
3. FOR CRIMPING USE DIE KTH-2007.
4. INTERFACE PER MIL-STD-348, FIG. 301-1.
5. CENTER CONTACT TO BE SUPPLIED UNASSEMBLED.
6. MATERIALS:
INSULATOR: TEFLON, ASTM-D1710
GASKET: SILICONE RUBBER, A-A-59588
SPRING WASHER: BER. COP. ASTM-B-196
OUTER CONTACT: BER. COP. ASTM-B-196
CRIMP SLEEVE; COMM. BRONZE, ASTM-B16, H02
ALL OTHER METAL PARTS: BRASS, ASTM-B16
7. FINISHES:
CENTER CONTACT: GOLD PLATE PER ASTM-B488
ALL OTHER METAL PARTS: SILVER PLATE PER ASTM-B700
8. ELECTRICAL CHARACTERISTICS:
NOMINAL IMPEDANCE: 50 OHM
FREQUENCY RANGE: DC TO 4 GHz
VOLTAGE RATING: 500 VOLTS RMS

SD755-116-5	REVISIONS	
	ISSUE	CHANGES
	0	ER 39005 DCT 1/22/4
	1	CN 39116 E DCT 7/12/4
C	REVISED PER DMF304 & MARKUP ER33587 KPL 07/05/11	
CUSTOMER SALES DRAWING		
THIS DRAWING, THE DESIGNS AND IDEAS EMBODIED IN THE DEVICE TO WHICH IT RELATES, AND THE METHOD OF PRODUCING THE DEVICE, ARE THE PROPERTY OF WINCHESTER ELECTRONICS CORPORATION AND SHALL NOT BE EMPLOYED, COPIED, OR DISCLOSED TO ANYONE, IN ANY MANNER WITHOUT THE CONSENT OF WINCHESTER ELECTRONICS CORPORATION.		
SCALE 4:1		
APPROX SURFACE AREA		
SD755-116-5		
USED ON		
REF:		
PLUG, BNC		
DRAWN	DCT	DATE 1/8/4
DESIGN	DCT	DATE 10/24/3
APPR.		DATE
 by WINCHESTER ELECTRONICS CORPORATION		Winchester Electronics Corporation 62 Barnes Industrial Road North Wallingford, Connecticut 06492
M39012/16-0016		