

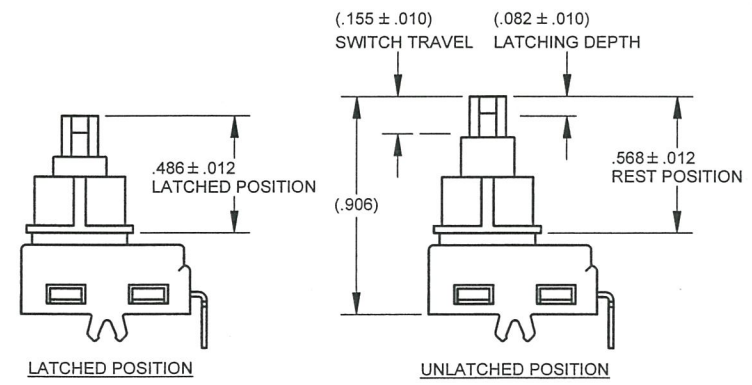
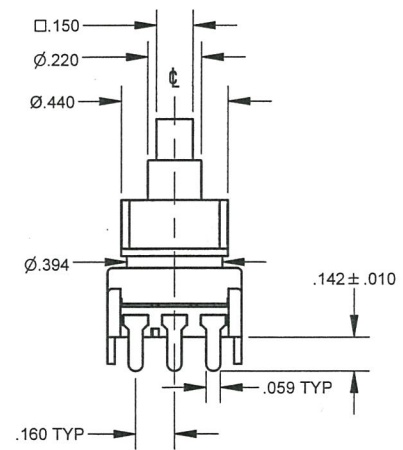
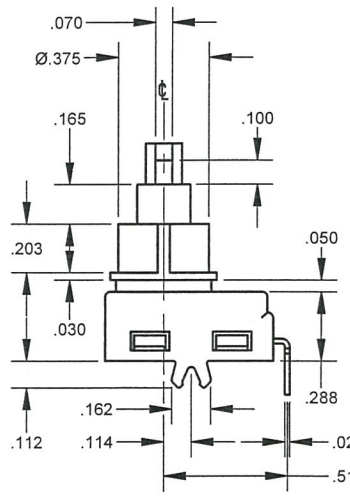
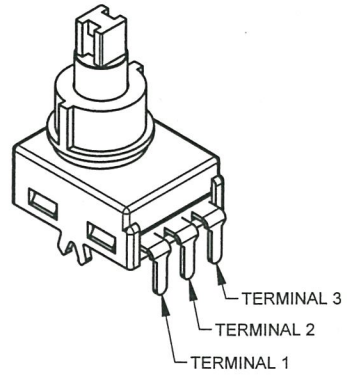
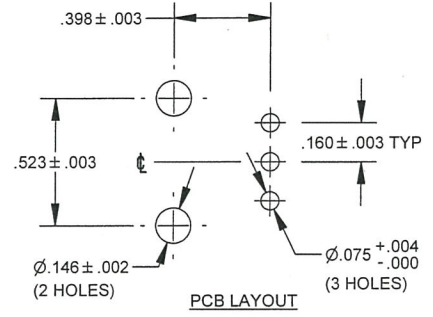
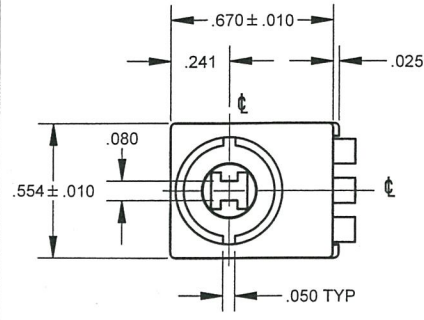
THIS INFORMATION IS CONFIDENTIAL AND PROPRIETARY TO CW INDUSTRIES INCORPORATED AND ITS AFFILIATES. IT MAY NOT BE DISCLOSED TO ANYONE, OTHER THAN CW INDUSTRIES PERSONNEL, WITHOUT WRITTEN AUTHORIZATION FROM CW INDUSTRIES INCORPORATED, SOUTHAMPTON, PENNSYLVANIA USA.

DIMENSIONS IN INCHES (MILLIMETERS)
DO NOT SCALE DRAWING

Dwg. No.
GCL-536A-0100

SPECIFICATIONS MATERIALS:

- ELECTRICAL RATING - 1A. 125V.A.C.
3A. 14-24V.D.C.
- MECHANICAL PERFORMANCE - 30,000 Cycles minimum at Rated Load.
- TERMINAL - Copper Alloy CDA 260, .100 Sn (min.) Over .000050 Ni (min.)
- OPERATING FORCE - 15 - 22 oz. Typical, 4.2 - 6.1 Newtons Typical
- VOLTAGE DROP - .030V MAX @ .7A
- WAVE SOLDER TIME & TEMPERATURE
- PREHEAT TEMPERATURE - Recommended not to exceed 130°C for 90 seconds
- SOLDERING TEMPERATURE - Not to exceed 255°C



ELECTRICAL FUNCTION	
ACTUATOR POSITION	TERMINAL CONNECTION
REST	1 & 2
LATCHED	2 & 3

1 2 3 4 5 6 7 8 9 10

B-FORMAT 2010
REVISIONS
NEW
JRB 7-26-2012

CW INDUSTRIES
Southampton, Pa. 18966

TOLERANCES UNLESS OTHERWISE SPECIFIED

2 Place Decimal ± .010	METRIC
3 Place Decimal ± .005	1 Place Dec. ± .25mm
Angles ± 1°	2 Place Dec. ± .13mm

Made for: CW IND
Drawn by: JRB 7-26-2012
Checked by: *Joseph Barber 7/26/12*
Approval: *[Signature]* 7/26/12

Title:
**S.P.D.T
PUSH BUTTON
LATCHING SWITCH**

Division:
SWITCH

Dwg. No.
GCL-536A-0100

MASTER