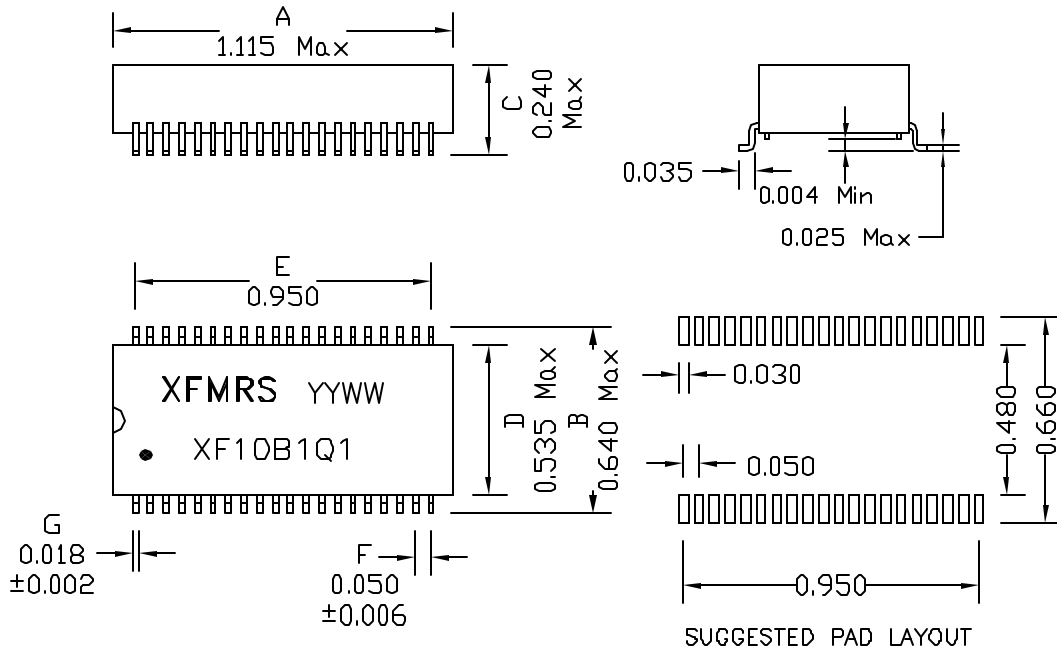
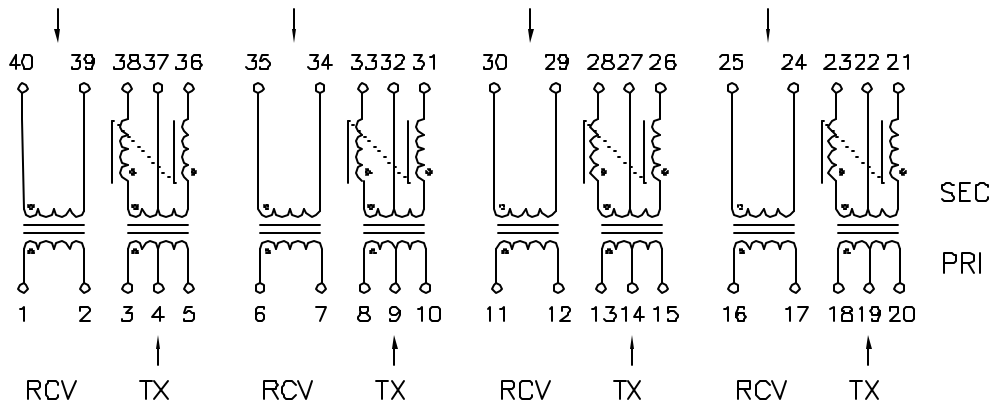


1. Mechanical Dimensions:



2. Schematic:



DOC REV: A/11

3. Electrical Specifications: @25°C

- PRI OCL: 140uH Typ (TX&RCV) @100KHz 50mV
- PRI Q: 8 Min @10KHz 50mV
- Cw/w: 12pF Max (PRI/SEC) @100KHz 50mV
- LL: 0.40uH Max @TX @100KHz 50mV, SEC Shorted
- LL: 0.40uH Max @RCV @100KHz 50mV, SEC Shorted
- PRI DC Resistance: 0.30 Ohms Max (TX & RCV)
- CMR Choke OCL: 30uH Typical @100KHz 50mV
- Turns Ratio: 1CT:1.41CT (TX)
- Turns Ratio: 1:1 (RCV)
- Pri/Sec Isolation: 1500 Vrms

Notes:

- Solderability: Leads shall meet MIL-STD-202G, Method 208H for solderability.
- Flammability: UL94V-0
- ASTM oxygen index: > 28%
- Insulation System: Class F 155°C, UL file E151556
- Operating Temperature Range: All listed parameters are to be within tolerance from -40°C to +85°C
- Storage Temperature Range: -55°C to +125°C
- Aqueous wash compatible
- SMD Lead Coplanarity: ±0.004" (0.102mm)
- Electrical and mechanical specifications 100% tested
- RoHS Compliant Component

XFMRS Inc www.XFMRS.com	Title: Quad Ports 10BASE-T Modules			
	UNLESS OTHERWISE SPECIFIED TOLERANCES:	P/N: XF10B1Q1	REV. A	
.xxx ±0.010	DWN.	Mei Chen	Jan-05-10	
Dimensions in INCH	CHK.	YK Liao	Jan-05-10	
SCALE 2:1 SHT 1 OF 1	APP.	Joe Huff	Jan-05-10	