

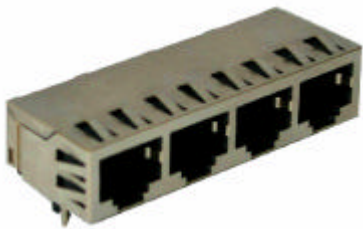
“LAN-MATE” SERIES

1X4 RJ45 CONNECTOR MODULE WITH INTEGRATED 10/100 BASE-TX MAGNETICS

P/N: LU4T041X LF

Page: 1/2

Feature



- RJ-45 needs to be matched FCC standard
- RJ-45 connector integrated with X’FMR /Impedance resistor/High voltage capacitor.
- Size same as RJ-45 connector to save PCB Board space.
- Reduced EMI radiation to Improve EMI performance.
- Design for 100 BASE transmission over UTP-5 cable.
- Comply with RoHS requirements-whole part No Cd, No Hg, No Cr6+, No PBB and PBDE and No Pb on external pins.
- Operating temperature range: 0 to +70 .
- Storage temperature range: -25 to +125 .

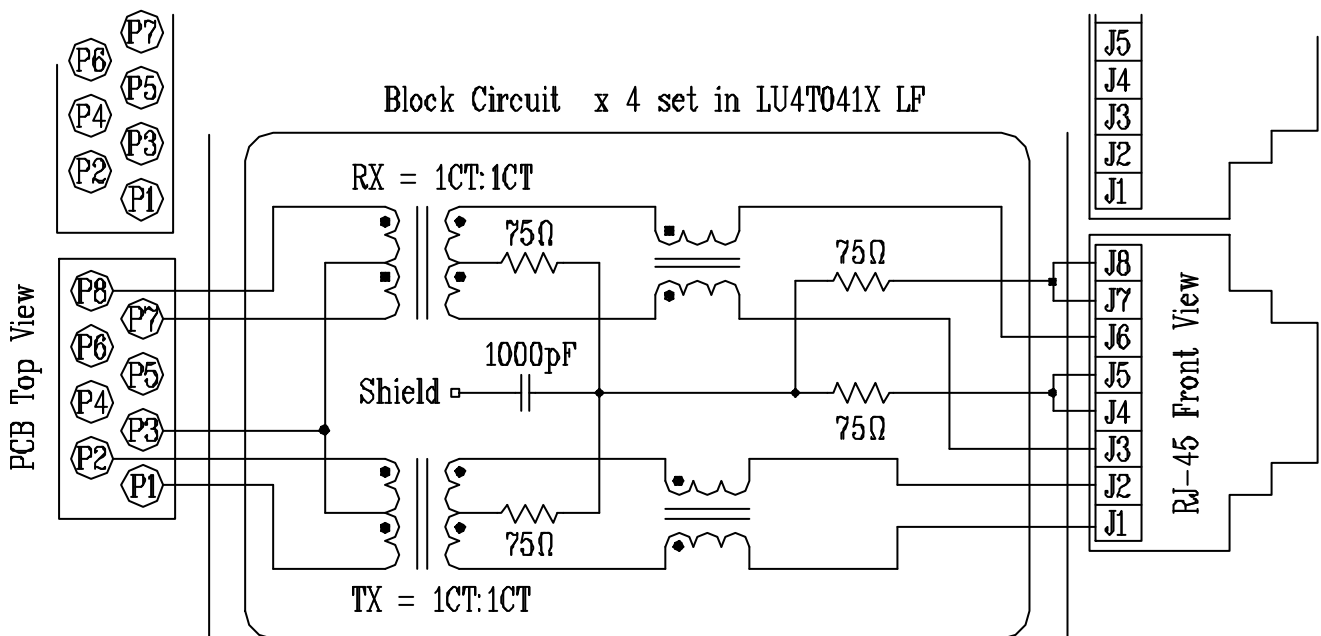
Electrical Specifications @ 25° C

| Part Number | Turns Ratio (±5%) | | OCL (uH Min) @100 KHz/0.1V with 8mA DC Bias | C _{ww} (pF Max) | L.L (uH Max) | Insertion Loss (dB Max) 0.3-100MHz | HI-POT (Vrms) |
|-------------|-------------------|---------|---|-----------------------------|-----------------|--|------------------|
| | TX | RX | | | | | |
| LU4T041XLF | 1CT:1CT | 1CT:1CT | 350 | 56 | 0.5 | -0.8 | 1500 |

Continue

| Part Number | Return Loss (dB Min) | | | | | Cross talk (dB Min) | | | CMR (dB Min) | | |
|-------------|-------------------------|-------|-------|-------|-------|------------------------|----------|-----------|-----------------|----------|-----------|
| | 30MHz | 40MHz | 50MHz | 60MHz | 80MHz | 0.3-30MHz | 30-60MHz | 60-100MHz | 1-30MHz | 30-60MHz | 60-125MHz |
| LU4T041XLF | -16 | -14 | -13.5 | -13 | -10 | -40 | -35 | -30 | -30 | -25 | -20 |

Schematic

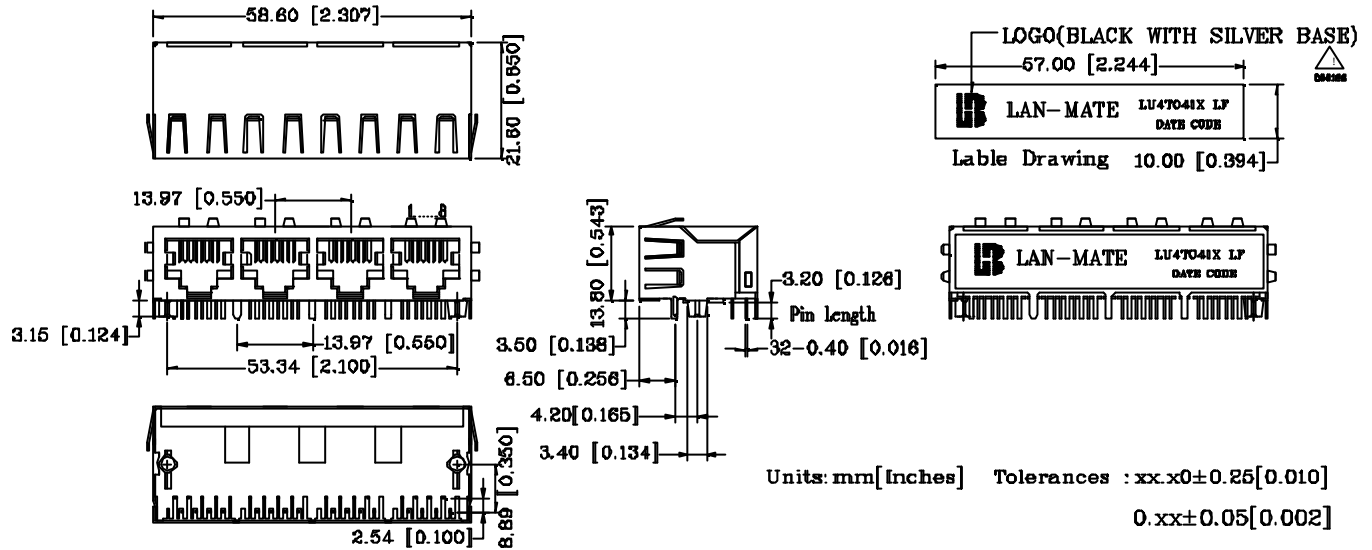


“LAN-MATE” SERIES

1X4 RJ45 CONNECTOR MODULE WITH INTEGRATED 10/100 BASE-TX MAGNETICS

P/N: LU4T041X LF

Mechanical



- 1. Plastic Material : Thermoplastic (UL 94V-0), Black Housing
- 2. Metal Shield : Brass, 20u" inches thick Nickel
- 3. Spring Wire : Phosphor bronze with selective gold plating
- 4. Solder Pin : 0.4x0.4mm, Phosphor bronze with solder Plated
- 5. Durability : 750 Mating cycles Min.

PCB Layout Mounting Hole(Top View)

