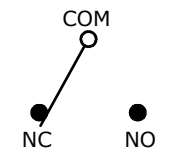
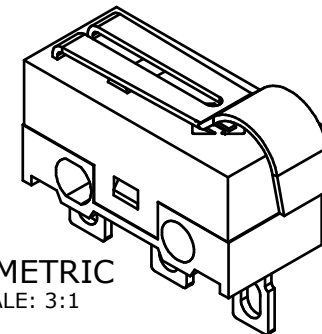
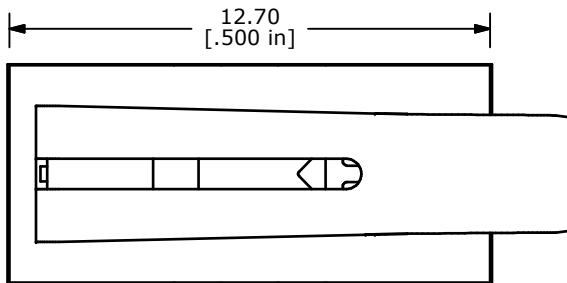


MOUNTING SPECS.

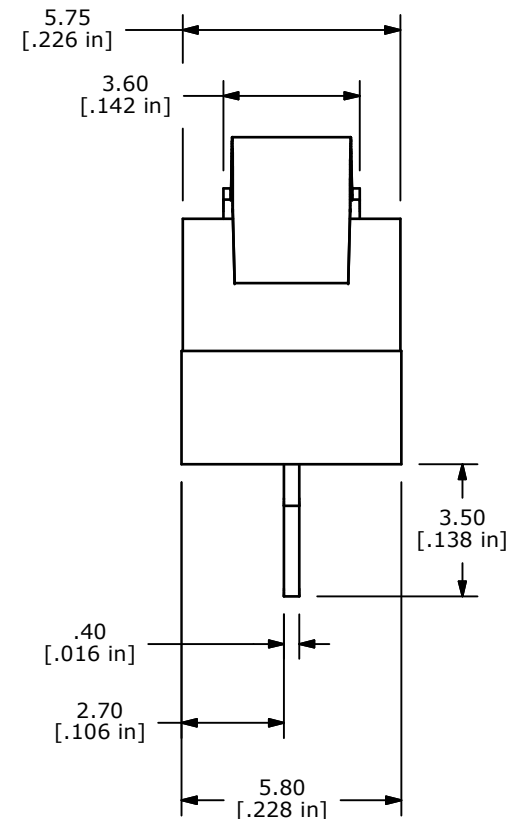
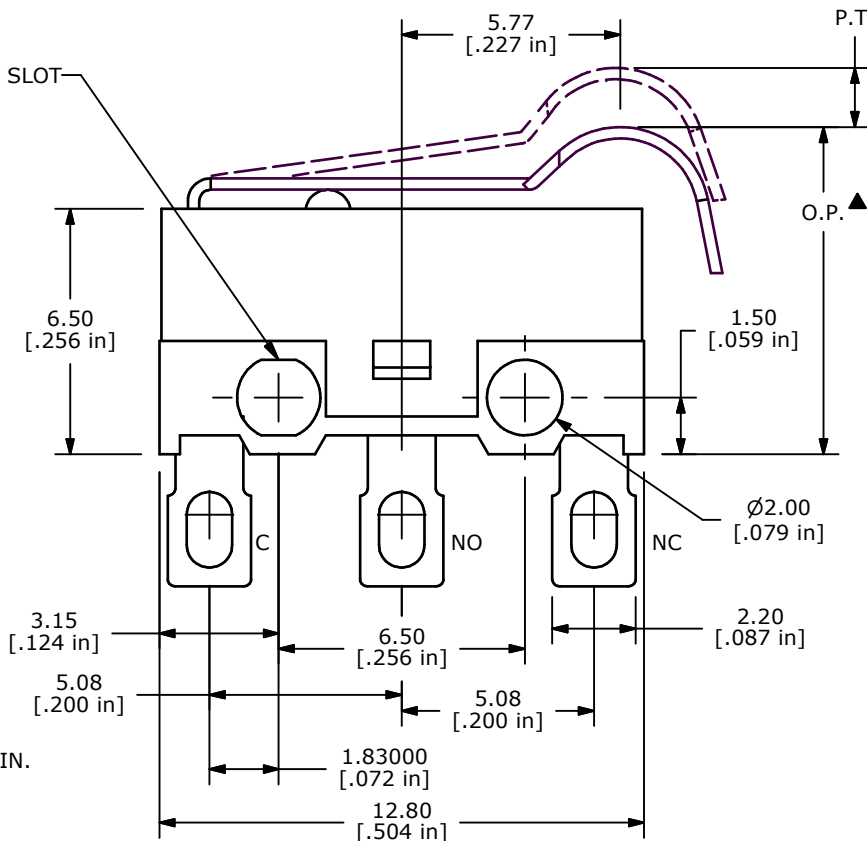


CIRCUIT: SPDT

O.P. (MM)	P.T. (MM)
9.65 ± 0.8	1.35 MAX.

O.P. = OPERATING POINT
P.T. = PRE-TRAVEL

2.20 x 2.00 SLOT



NOTES:

1. ALL DIMENSIONS IN MM [INCH]
2. GENERAL TOLERANCE: X.X=±0.4
X.XX=±0.25
- ▲ 3. RATING: 3A @ 125 VAC
1.5A @ 250 VAC UL
4. OPERATING FORCE: 50±10 GRAMS
5. OPERATING TEMP: -25°C TO 75°C
6. ELECTRICAL LIFE: 10,000 CYCLES MIN.
7. INSULATION RESISTANCE: 100 MEGA-OHMS MIN.
8. DIELECTRIC STRENGTH: 500VAC - 1 MINUTE
9. ▲ DENOTES CRITICAL PARAMETER.
10. PACKAGED IN TRAYS, 120 PIECES PER TRAY.
11. 2002/95/EC (ROHS) COMPLIANT



REV	PCR NO	DESCRIPTION	DATE	BY
C	18157	REMOVE CE APPROVED FROM NOTES	6/24/08	BLR
B	18089	NOTE 10 WAS 1000 PIECES PER BAG	5/9/08	RC

TITLE SS0750303F050S1A				
SCALE 4:1	DATE 6/24/2008	DR BLR	DWG Q971007	REV C

THE INFORMATION CONTAINED IN THIS DOCUMENT IS PROPRIETARY TO E-SWITCH AND IS NOT TO BE COPIED OR TRANSFERRED