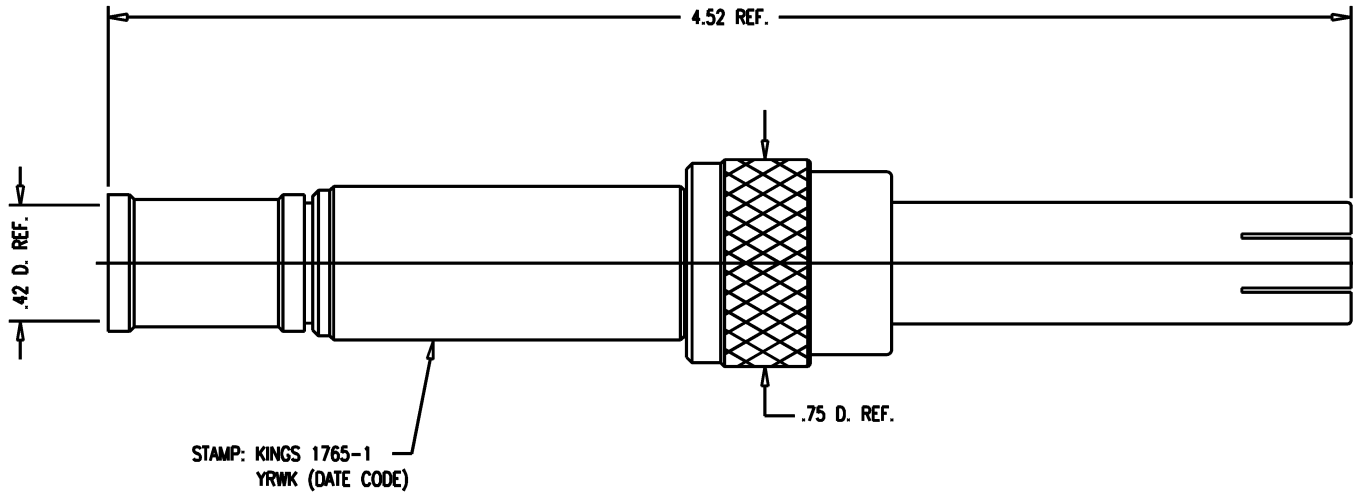


GSD

1765-1



NOTES:

1. FOR USE WITH RG-8, 8A, 11, 11A & 213/U CABLE.
2. FOR CABLING INSTRUCTIONS SEE 3-7-2.
3. FOR CABLE TRIMMING USE KTJ-124 & KTD-179.
4. FOR CRIMPING USE DIE KTH-1078.
5. MATERIALS:
 INSULATOR: HIGH DENSITY POLYETHYLENE, MIL-P-22748
 GASKETS: SIL. RUB., ZZ-R-765
 K-GRIP SLEEVE: COM. BRONZE TUBE, ALLOY 220
 CONTACT: BER. COP., ASTM-B-196
 SPRING: STAINLESS STEEL, TYPE 302
 ALL OTHER PARTS: BRASS, ASTM-B16
6. FINISHES:
 CENTER CONTACT: HARD GOLD PLATE PER MIL-G-45204
 SPRING: PASSIVATE PER QQ-P-35
 ALL OTHER METAL PARTS: KINGS TARNISH RESISTANT FINISH (TR-5)
7. ELECTRICAL CHARACTERISTICS:
 NOMINAL IMPEDANCE: NON-CONSTANT
 VOLTAGE RATING: 20 KVDC

REVISIONS

| ISSUE | CHANGES |
|-------|---------------------------------------|
| 4 | CN 34190 C REDRAWN JCA 10/30/92 |
| 5 | CN 37941 E HVN 11/24/99 |
| 6 | CN 39710 C DRK 11/22/06 |

SCALE 2:1

APPROX SURFACE AREA

USED ON

REF:

PLUG, 20 KV

| | | | |
|--------|-----|------|----------|
| DRAWN | JCA | DATE | 10/30/92 |
| DESIGN | LI | DATE | 11/02/92 |
| APPR. | | DATE | |

KINGS
ELECTRONICS CO., INC.
ROCK HILL, SOUTH CAROLINA 29730

1765-1

GSD