

# 32-bit RISC Microcontroller

CMOS

# FR Family MB91F109

## MB91F109

### ■ DESCRIPTION

The MB91F109 is a standard single-chip microcontroller constructed around the 32-bit RISC CPU (FR\* family) core with abundant I/O resources and bus control functions optimized for high-performance/high-speed CPU processing for embedded controller applications. To carry out hi-speed performance of CPU instructions, instruction/data Flash memory of 254 Kbytes and RAM of 2 Kbytes + 2 Kbytes are embedded in the MB91F109.

The MB91F109 is optimized for applications requiring high-performance CPU processing such as navigation systems, high-performance FAXs and printer controllers.

\*: FR Family stands for FUJITSU RISC controller.

### ■ FEATURES

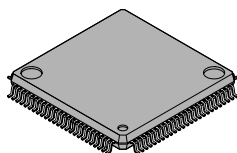
#### FR CPU

- 32-bit RISC, load/store architecture, 5-stage pipeline
- Operating clock frequency: Internal 25 MHz/external 25 MHz (PLL used at source oscillation 12.5 MHz)
- General purpose registers: 32 bits × 16
- 16-bit fixed length instructions (basic instructions), 1 instruction/1 cycle
- Memory to memory transfer, bit processing, barrel shifter processing: Optimized for embedded applications
- Function entrance/exit instructions, multiple load/store instructions of register contents, instruction systems supporting high level languages
- Register interlock functions, efficient assembly language coding
- Branch instructions with delay slots: Reduced overhead time in branch executions

(Continued)

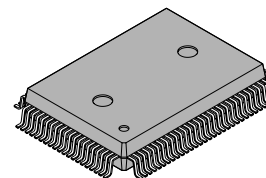
### ■ PACKAGES

100-pin Plastic LQFP



(FPT-100P-M05)

100-pin Plastic QFP



(FPT-100P-M06)

# MB91F109

(Continued)

- Internal multiplier/supported at instruction level
  - Signed 32-bit multiplication: 5 cycles
  - Signed 16-bit multiplication: 3 cycles
- Interrupt (push PC and PS): 6 cycles, 16 priority levels

## External bus interface

- Without Clock doubler: Maximum internal bus 25 MHz, maximum external bus 25 MHz operation
- 25-bit address bus (32 Mbytes memory space)
- 8/16-bit data bus
- Basic external bus cycle: 2 clock cycles
- Chip select outputs for setting down to a minimum memory block size of 64 Kbytes: 6
- Interface supported for various memory technologies
  - DRAM interface (area 4 and 5)
- Automatic wait cycle insertion: Flexible setting, from 0 to 7 for each area
- Unused data/address pins can be configured as input/output ports
- Little endian mode supported (Select 1 area from area 1 to 5)

## DRAM interface

- 2 banks independent control (area 4 and 5)
- Normal mode (double CAS DRAM)/high-speed page mode (single CAS DRAM)/Hyper DRAM
- Basic bus cycle: Normally 5 cycles, 2-cycle access possible in high-speed page mode
- Programmable waveform: Automatic 1-cycle wait insertion to RAS and CAS cycles
- DRAM refresh
  - CBR refresh (interval time configurable by 6-bit timer)
  - Self-refresh mode
- Supports 8/9/10/12-bit column address width
- 2CAS/1WE, 2WE/1CAS selective

## DMA controller (DMAC)

- 8 channels
- Transfer incident/external pins/internal resource interrupt requests
- Transfer sequence: Step transfer/block transfer/burst transfer/continuous transfer
- Transfer data length: 8 bits/16 bits/32 bits selective
- NMI/interrupt request enables temporary stop operation

## UART

- 3 independent channels
- Full-duplex double buffer
- Data length: 7 bits to 9 bits (non-parity), 6 bits to 8 bits (parity)
- Asynchronous (start-stop system), CLK-synchronized communication selective
- Multi-processor mode
- Internal 16-bit timer (U-TIMER) operating as a proprietary baud rate generator: Generates any given baud rate
- Use external clock can be used as a transfer clock
- Error detection: Parity, frame, overrun

## 10-bit A/D converter (successive approximation conversion type)

- 10-bit resolution, 4 channels
- Successive approximation type: Conversion time of 5.6  $\mu$ s at 25 MHz
- Internal sample and hold circuit
- Conversion mode: Single conversion/scanning conversion/repeated conversion/stop conversion selective
- Start: Software/external trigger/internal timer selective

(Continued)

## 16-bit reload timer

- 3 channels
- Internal clock: 2 clock cycle resolution, divide by 2/8/32 selective

## Other interval timers

- 16-bit timer: 3 channels (U-TIMER)
- PWM timer: 4 channels
- Watchdog timer: 1 channel

## Bit search module

First bit transition “1” or “0” from MSB can be detected in 1 cycle

## Interrupt controller

- External interrupt input: Non-maskable interrupt ( $\overline{\text{NMI}}$ ), normal interrupt  $\times 4$  (INT0 to INT3)
- Internal interrupt incident: UART, DMA controller (DMAC), 10-bit A/D converter, 16-bit reload-timer, PWM timer, U-TIMER and delayed interrupt module
- Priority levels of interrupts are programmable except for non-maskable interrupt (in 16 steps)

## Others

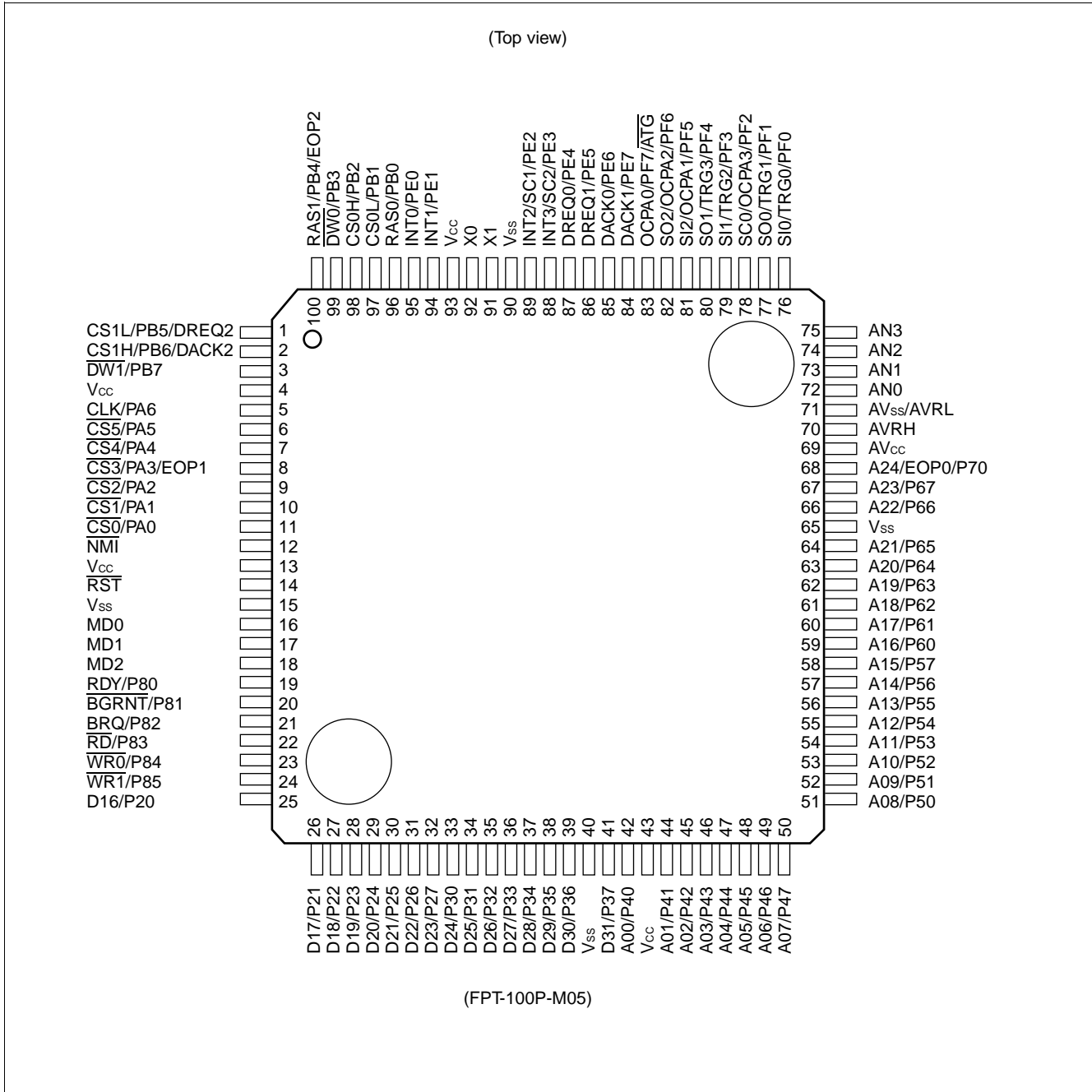
- Reset cause: Power-on reset/software reset/external reset
- Low-power consumption mode: Sleep mode/stop mode
- Clock control
  - Gear function: Operating clocks for CPU and peripherals are independently selective  
Gear clock can be selected from 1/1, 1/2, 1/4 and 1/8 (or 1/2, 1/4, 1/8 and 1/16)  
(However, operating frequency for peripherals is less than 25 MHz.)
- Packages: LQFP-100 and QFP-100
- CMOS technology (0.5  $\mu\text{m}$ )
- Power supply voltage: 3.15 V ~ 3.6 V

## ■ PRODUCT LINEUP

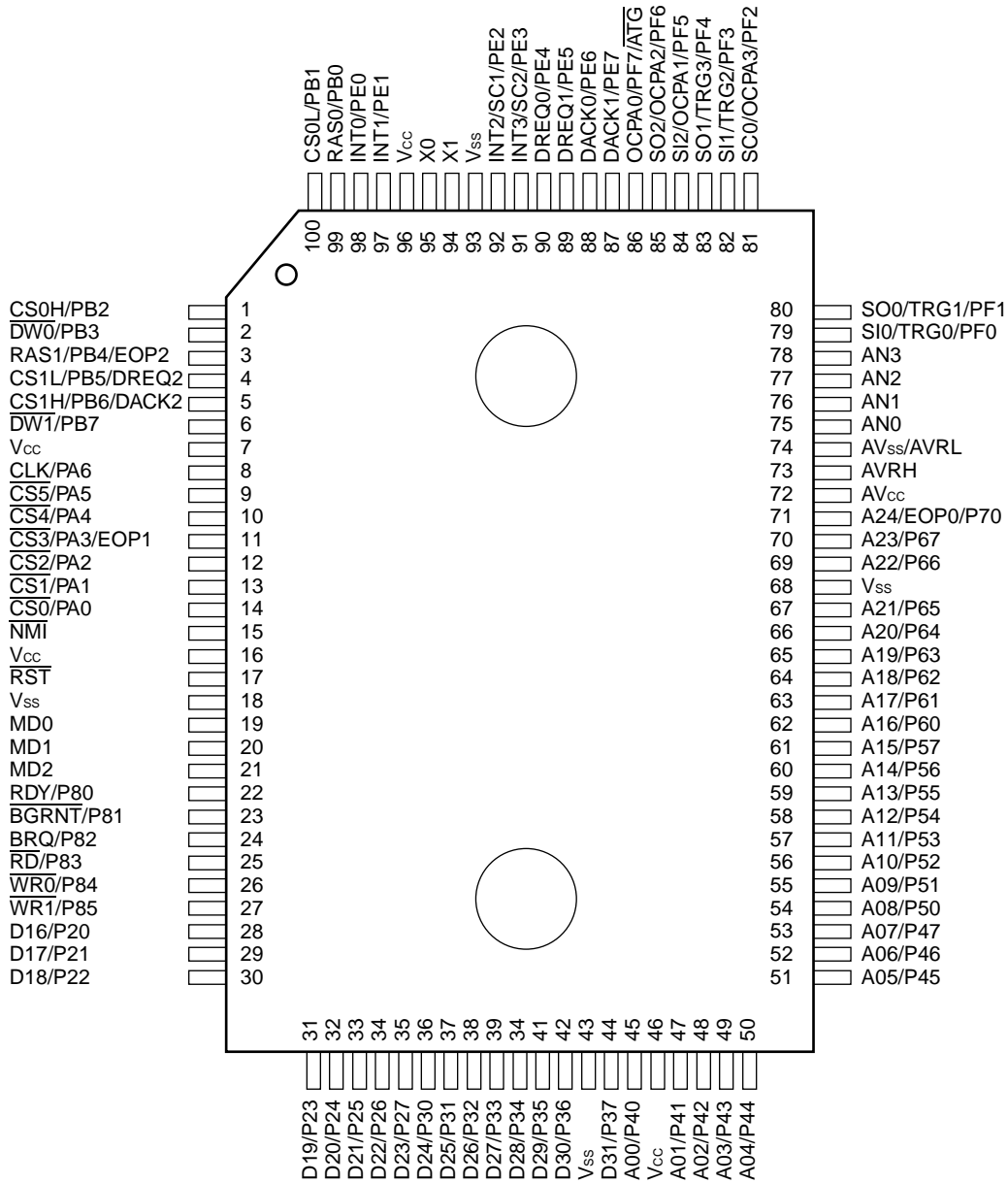
Parameter	Part number	MB91F109
Classification		Mass production products Flash (mask ROM products)
Flash size		254 Kbytes
IRAM size		—
CROM size		—
CRAM size		2 Kbytes
RAM size		2 Kbytes
I \$		—
Other		Under trial manufacture

# MB91F109

## ■ PIN ASSIGNMENT



(Top view)



(FPT-100P-M06)

# MB91F109

## ■ PIN DESCRIPTION

Pin no.		Pin name	Circuit type	Function
LQFP*1	QFP*2			
25 to 32	28 to 35	D16 to D23	C	Bit 16 to bit 23 of external data bus
		P20 to P27		Can be configured as general purpose I/O port when external data bus width is set to 8-bit or in single chip mode.
33 to 39, 41	36 to 42, 44	D24 to D30, D31	C	Bit 24 to bit 31 of external data bus
		P30 to P36, P37		Can be configured as general purpose I/O ports when not used as address bus.
42, 44 to 50, 51 to 58	45, 47 to 53, 54 to 61	A00, A01 to A07, A08 to A15	E	Bit 00 to bit 15 of external address bus
		P40, P41 to P47, P50 to P57		Can be configured as general purpose I/O ports when not used as address bus.
59 to 64, 66, 67	62 to 67, 69, 70	A16 to A21, A22, A23	E	Bit 16 to bit 23 of external address bus
		P60 to P65, P66, P67		Can be configured as general purpose I/O ports when not used as address bus.
68	71	A24	E	Bit 24 of external address bus
		EOP0		Can be configured as DMAC EOP output (ch. 0) when DMAC EOP output is enabled.
		P70		Can be configured as general purpose I/O port when A24 and EOP0 are not used.
19	22	RDY	C	External ready input Inputs "0" when bus cycle is being executed and not completed.
		P80		Can be configured as general purpose I/O port when RDY is not used.
20	23	$\overline{\text{BGRNT}}$	E	External bus release acknowledge output Outputs "L" level when external bus is released.
		P81		Can be configured as general purpose I/O port when $\overline{\text{BGRNT}}$ is not used.
21	24	BRQ	C	External bus release request input Inputs "1" when release of external bus is required.
		P82		Can be configured as general purpose I/O port when BRQ is not used.
22	25	$\overline{\text{RD}}$	E	Read strobe output pin for external bus
		P83		Can be configured as general purpose I/O port when $\overline{\text{RD}}$ is not used.

\*1: FPT-100P-M05

\*2: FPT-100P-M06

(Continued)

Pin no.		Pin name	Circuit type	Function												
LQFP*1	QFP*2															
23	26	P84	E	Can be configured as general purpose I/O port when $\overline{WR0}$ is not used.												
		$\overline{WR0}$		Write strobe output pin for external bus Relation between control signals and effective byte locations is as follows:												
24	27	$\overline{WR1}$	E	<table border="1" style="width: 100%; border-collapse: collapse;"> <thead> <tr> <th style="width: 30%;"></th> <th style="width: 20%;">16-bit bus width</th> <th style="width: 20%;">8-bit bus width</th> <th style="width: 30%;">Single chip mode</th> </tr> </thead> <tbody> <tr> <td>D31 to D24</td> <td><math>\overline{WR0}</math></td> <td><math>\overline{WR0}</math></td> <td>(I/O port enabled)</td> </tr> <tr> <td>D23 to D16</td> <td><math>\overline{WR1}</math></td> <td>(I/O port enabled)</td> <td>(I/O port enabled)</td> </tr> </tbody> </table> <p>Note : <math>\overline{WR1}</math> is Hi-Z during resetting. Attach an external pull-up resistor when using at 16-bit bus width.</p>		16-bit bus width	8-bit bus width	Single chip mode	D31 to D24	$\overline{WR0}$	$\overline{WR0}$	(I/O port enabled)	D23 to D16	$\overline{WR1}$	(I/O port enabled)	(I/O port enabled)
				16-bit bus width	8-bit bus width	Single chip mode										
D31 to D24	$\overline{WR0}$	$\overline{WR0}$	(I/O port enabled)													
D23 to D16	$\overline{WR1}$	(I/O port enabled)	(I/O port enabled)													
		P85		Can be configured as general purpose I/O port when $\overline{WR1}$ is not used.												
11	14	$\overline{CS0}$	E	Chip select 0 output ("L" active)												
		PA0		Can be configured as general purpose I/O port when $\overline{CS0}$ is not used.												
10	13	$\overline{CS1}$	E	Chip select 1 output ("L" active)												
		PA1		Can be configured as general purpose I/O port when $\overline{CS1}$ is not used.												
9	12	$\overline{CS2}$	E	Chip select 2 output ("L" active)												
		PA2		Can be configured as a port when $\overline{CS2}$ is not used.												
8	11	$\overline{CS3}$	E	Chip select 3 output ("L" active)												
		PA3		Can be configured as a port when $\overline{CS3}$ and EOP1 are not used.												
		EOP1		EOP output pin for DMAC (ch. 1) This function is available when EOP output for DMAC is enabled.												
7	10	$\overline{CS4}$	E	Chip select 4 output ("L" active)												
		PA4		Can be configured as general purpose I/O port when $\overline{CS4}$ is not used.												
6	9	$\overline{CS5}$	E	Chip select 5 output ("L" active)												
		PA5		Can be configured as general purpose I/O port when $\overline{CS5}$ is not used.												
5	8	CLK	E	System clock output Outputs clock signal of external bus operating frequency.												
		PA6		Can be configured as general purpose I/O port when CLK is not used.												

\*1: FPT-100P-M05

\*2: FPT-100P-M06

(Continued)

# MB91F109

Pin no.		Pin name	Circuit type	Function
LQFP*1	QFP*2			
96	99	RAS0	E	RAS output for DRAM bank 0
		PB0		Can be configured as general purpose I/O port when RAS0 is not used.
97	100	CS0L	E	CASL output for DRAM bank 0
		PB1		Can be configured as general purpose I/O port when CS0L is not used.
98	1	CS0H	E	CASH output for DRAM bank 0
		PB2		Can be configured as general purpose I/O port when CS0H is not used.
99	2	$\overline{DW0}$	E	$\overline{WE}$ output for DRAM bank 0 ("L" active)
		PB3		Can be configured as general purpose I/O port when $\overline{DW0}$ is not used.
100	3	RAS1	E	RAS output for DRAM bank 1
		PB4		Can be configured as general purpose I/O port when RAS1 and EOP2 are not used.
		EOP2		DMAC EOP output (ch. 2) This function is available when DMAC EOP output is enabled.
1	4	CS1L	E	CASL output for DRAM bank 1
		PB5		Can be configured as general purpose I/O port when CS1L and DREQ are not used.
		DREQ2		External transfer request input pin for DMA This pin is used for input when external trigger is selected to cause DMAC operation, and it is necessary to disable output for other functions from this pin unless such output is made intentionally.
2	5	CS1H	E	CASH output for DRAM bank 1
		PB6		Can be configured as general purpose I/O port when CS1H and DACK2 are not used.
		DACK2		External transfer request accept output pin for DMAC (ch. 2) This function is available when transfer request output for DMAC is enabled.
3	6	$\overline{DW1}$	E	$\overline{WE}$ output for DRAM bank 1 ("L" active)
		PB7		Can be configured as general purpose I/O port when $\overline{DW1}$ is not used.
16 to 18	19 to 21	MD0 to MD2	F	Mode pins 0 to 2 MCU basic operation mode is set by these pins. Directly connect these pins with $V_{CC}$ or $V_{SS}$ for use.
92	95	X0	A	Clock (oscillator) input
91	94	X1	A	Clock (oscillator) output
14	17	$\overline{RST}$	B	External reset input
12	15	$\overline{NMI}$	G	NMI (non-maskable interrupt pin) input ("L" active)

\*1: FPT-100P-M05

\*2: FPT-100P-M06

(Continued)



Pin no.		Pin name	Circuit type	Function
LQFP*1	QFP*2			
95, 94	98, 97	INT0, INT1	E	External interrupt request input pins These pins are used for input during corresponding interrupt is enabled, and it is necessary to disable output for other functions from these pins unless such output is made intentionally.
		PE0, PE1		Can be configured as general purpose I/O ports when INT0 and INT1 are not used.
89	92	INT2	E	External interrupt request input pin This pin is used for input during corresponding interrupt is enabled, and it is necessary to disable output for other functions from this pin unless such output is made intentionally.
		SC1		Clock I/O pin for UART1 Clock output is available when clock output of UART1 is enabled.
		PE2		Can be configured as general purpose I/O port when INT2 and SC1 are not used. This function is available when UART1 clock output is disabled.
88	91	INT3	E	External interrupt request input pin This pin is used for input during corresponding interrupt is enabled, and it is necessary to disable output for other functions from this pin unless such output is made intentionally.
		SC2		UART2 clock I/O pin Clock output is available when UART2 clock output is enabled.
		PE3		Can be configured as general purpose I/O port when INT3 and SC2 are not used. This function is available when UART2 clock output is disabled.
87, 86	90, 89	DREQ0, DREQ1	E	External transfer request input pins for DMA These pins are used for input when external trigger is selected to cause DMAC operation, and it is necessary to disable output for other functions from these pins unless such output is made intentionally.
		PE4, PE5		Can be configured as general purpose I/O ports when DREQ0 and DREQ1 are not used.
85	88	DACK0	E	External transfer request acknowledge output pin for DMAC (ch. 0) This function is available when transfer request output for DMAC is enabled.
		PE6		Can be configured as general purpose I/O port when DACK0 is not used. This function is available when transfer request acknowledge output for DMAC or DACK0 output is disabled.

\*1: FPT-100P-M05

\*2: FPT-100P-M06

(Continued)

# MB91F109

Pin no.		Pin name	Circuit type	Function
LQFP*1	QFP*2			
84	87	DACK1	E	External transfer request acknowledge output pin for DMAC (ch. 1) This function is available when transfer request output for DMAC is enabled.
		PE7		Can be configured as general purpose I/O port when DACK1 is not used. This function is available when transfer request output for DMAC or DACK1 output is disabled.
76	79	SI0	E	UART0 data input pin This pin is used for input during UART0 is in input operation, and it is necessary to disable output for other functions from this pin unless such output is made intentionally.
		TRG0		PWM timer external trigger input pin (ch.0) This pin is used for input during PWM timer external trigger is in input operation, and it is necessary to disable output for other functions from this pin unless such output is made intentionally.
		PF0		Can be configured as general purpose I/O port when SI0 and TRG0 are not used.
77	80	SO0	E	UART0 data output pin This function is available when UART0 data output is enabled.
		TRG1		PWM timer external trigger input pin This function is available when serial data output of PF1, UART0 are disabled.
		PF1		Can be configured as general purpose I/O port when SO0 and TRG1 are not used. This function is available when serial data output of UART0 is disabled.
78	81	SC0	E	UART0 clock I/O pin Clock output is available when UART0 clock output is enabled.
		OCPA3		PWM timer output pin This function is available when PWM timer output is enabled.
		PF2		Can be configured as general purpose I/O port when SC0 and OCPA3 are not used. This function is available when UART0 clock output is disabled.
79	82	SI1	E	UART1 data input pin This pin is used for input during UART1 is in input operation, and it is necessary to disable output for other functions from this pin unless such output is made intentionally.
		TRG2		PWM timer external trigger input pin This pin is used for input during PWM timer external trigger is in input operation, and it is necessary to disable output for other functions from this pin unless such output is made intentionally.
		PF3		Can be configured as general purpose I/O port when SI1 and TRG2 are not used.

\*1: FPT-100P-M05

\*2: FPT-100P-M06

(Continued)

Pin no.		Pin name	Circuit type	Function
LQFP*1	QFP*2			
80	83	SO1	E	UART1 data output pin This function is available when UART1 data output is enabled.
		TRG3		PWM timer external trigger input pin This function is available when PF4, UART1 data outputs are disabled.
		PF4		Can be configured as general purpose I/O port when SO1 and TRG3 are not used. This function is available when UART1 data output is disabled.
81	84	SI2	E	UART2 data input pin This pin is used for input during UART2 is in input operation, and it is necessary to disable output for other functions from this pin unless such output is made intentionally.
		OCPA1		PWM timer output pin This function is available when PWM timer output is enabled.
		PF5		Can be configured as general purpose I/O port when SI2 and OCPA2 are not used.
82	85	SO2	E	UART2 data output pin This function is available when UART2 data output is enabled.
		OCPA2		PWM timer output pin This function is available when PWM timer output is enabled.
		PF6		Can be configured as general purpose I/O port when SO2 and OCPA2 are not used. This function is available when UART2 data output is disabled.
83	86	OCPA0	E	PWM timer output pin This function is available when PWM timer output is enabled.
		PF7		Can be configured as a port when OCPA0 and $\overline{ATG}$ are not used. This function is available when PWM timer output is disabled.
		$\overline{ATG}$		External trigger input pin for A/D converter This pin is used for input when external trigger is selected to cause A/D converter operation, and it is necessary to disable output for other functions from this pin unless such output is made intentionally.
72 to 75	75 to 78	AN0 to AN3	D	Analog input pins of A/D converter
69	72	AV <sub>CC</sub>	—	Power supply pin (V <sub>CC</sub> ) for A/D converter
70	73	AVRH	—	Reference voltage input (high) for A/D converter Make sure to turn on and off this pin with potential of AVRH or more applied to V <sub>CC</sub> .
71	74	AV <sub>SS</sub> , AVRL	—	Power supply pin (V <sub>SS</sub> ) for A/D converter and reference voltage input pin (low)

\*1: FPT-100P-M05

\*2: FPT-100P-M06

(Continued)

# MB91F109

(Continued)

Pin no.		Pin name	Circuit type	Function
LQFP*1	QFP*2			
4, 13, 43, 93	7, 16, 46, 96	V <sub>CC</sub>	—	Power supply pin (V <sub>CC</sub> ) for digital circuit Always power supply pin (V <sub>CC</sub> ) must be connected to the power supply
15, 40, 65, 90	18, 43, 68, 93	V <sub>SS</sub>	—	Earth level (V <sub>SS</sub> ) for digital circuit

\*1: FPT-100P-M05

\*2: FPT-100P-M06

Note : In most of the above pins, I/O port and resource I/O are multiplexed e.g. xxx/Pxxx. In case of conflict between output of I/O port and resource I/O, priority is always given to the output of resource I/O.

## ■ DRAM CONTROL PIN

Pin name	Data bus 16-bit mode		Data bus 8-bit mode	Remarks
	2CAS/1WR mode	1CAS/2WR mode		
RAS0	Area 4 RAS	Area 4 RAS	Area 4 RAS	Correspondence of "L" "H" to lower address 1 bit (A0) in data bus 16- bit mode "L": "0" "H": "1" CASL: CAS which A0 corresponds to "0" area CASH: CAS which A0 corresponds to "1" area $\overline{WEL}$ : $\overline{WE}$ which A0 corresponds to "0" area $\overline{WEH}$ : $\overline{WE}$ which A0 corresponds to "1" area
RAS1	Area 5 RAS	Area 5 RAS	Area 5 RAS	
CS0L	Area 4 CASL	Area 4 CAS	Area 4 CAS	
CS0H	Area 4 CASH	Area 4 $\overline{WEL}$	Area 4 CAS	
CS1L	Area 5 CASL	Area 5 CAS	Area 5 CAS	
CS1H	Area 5 CASH	Area 5 $\overline{WEL}$	Area 5 CAS	
$\overline{DW0}$	Area 4 $\overline{WE}$	Area 4 $\overline{WEH}$	Area 4 $\overline{WE}$	
$\overline{DW1}$	Area 5 $\overline{WE}$	Area 5 $\overline{WEH}$	Area 5 $\overline{WE}$	

# MB91F109

## ■ I/O CIRCUIT TYPE

Type	Circuit	Remarks
A		<ul style="list-style-type: none"> <li>• Oscillation feedback resistance 1 M<math>\Omega</math> approx. With standby control</li> </ul>
B		<ul style="list-style-type: none"> <li>• CMOS level hysteresis input Without standby control With pull-up resistance</li> </ul>
C		<ul style="list-style-type: none"> <li>• CMOS level I/O With standby control</li> </ul>
D		<ul style="list-style-type: none"> <li>• Analog input</li> </ul>

(Continued)

(Continued)

Type	Circuit	Remarks
E		<ul style="list-style-type: none"> <li>• CMOS level output</li> <li>• CMOS level hysteresis input</li> <li>With standby control</li> </ul>
F		<ul style="list-style-type: none"> <li>• CMOS level input</li> <li>Without standby control</li> </ul>
G		<ul style="list-style-type: none"> <li>• CMOS level hysteresis input</li> <li>Without standby control</li> </ul>

# MB91F109

## ■ HANDLING DEVICES

### 1. Preventing Latchup

In CMOS ICs, applying voltage higher than  $V_{CC}$  or lower than  $V_{SS}$  to input/output pin or applying voltage over rating across  $V_{CC}$  and  $V_{SS}$  may cause latchup.

This phenomenon rapidly increases the power supply current, which may result in thermal breakdown of the device. Make sure to prevent the voltage from exceeding the maximum rating.

Take care that the analog power supply ( $AV_{CC}$ ,  $AVRH$ ) and the analog input do not exceed the digital power supply ( $V_{CC}$ ) when the analog power supply turned on or off.

### 2. Treatment of Unused Pins

Unused pins left open may cause malfunctions. Make sure to connect them to pull-up or pull-down resistors.

### 3. External Reset Input

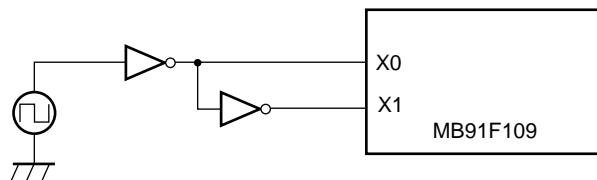
It takes at least 5 machine cycle to input "L" level to the  $\overline{RST}$  pin and to ensure inner reset operation properly.

### 4. Remarks for External Clock Operation

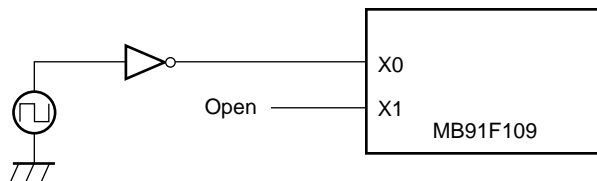
When external clock is selected, supply it to X0 pin generally, and simultaneously the opposite phase clock to X0 must be supplied to X1 pin. However, in this case the stop mode must not be used (because X1 pin stops at "H" output in stop mode).

And can be used to supply only to X0 pin with 5 V power supply at 12.5 MHz and less than.

#### • Using an external clock



Using an external clock (normal)  
Note: Can not be used stop mode (oscillation stop mode).



Using an external clock (can be used at 12.5 MHz and less than.)  
(3.3 V power supply only)



## 5. Power Supply Pins

When there are several  $V_{CC}$  and  $V_{SS}$  pins, each of them is equipotentially connected to its counterpart inside of the device, minimizing the risk of malfunctions such as latch up. To further reduce the risk of malfunctions, to prevent EMI radiation, to prevent strobe signal malfunction resulting from creeping-up of ground level and to observe the total output current standard, connect all  $V_{CC}$  and  $V_{SS}$  pins to the power supply or GND.

It is preferred to connect  $V_{CC}$  and  $V_{SS}$  of MB91F109 to power supply with minimal impedance possible.

It is also recommended to connect a ceramic capacitor as a bypass capacitor of about 0.1  $\mu\text{F}$  between  $V_{CC}$  and  $V_{SS}$  at a position as close as possible to MB91F109.

## 6. Crystal Oscillator Circuit

Noises around X0 and X1 pins may cause malfunctions of MB91F109. In designing the PC board, layout X0, X1 and crystal oscillator (or ceramic oscillator) and bypass capacitor for grounding as close as possible.

It is strongly recommended to design PC board so that X1 and X0 pins are surrounded by grounding area for stable operation.

## 7. Turning-on Sequence of A/D Converter Power Supply and Analog Input

Make sure to turn on the digital power supply ( $V_{CC}$ ) before turning on the A/D converter ( $AV_{CC}$ ,  $AV_{RH}$ ) and applying voltage to analog input (AN0 to AN3).

Make sure to turn off digital power supply after power supply to A/D converters and analog inputs have been switched off. (There are no such limitations in turning on power supplies. Analog and digital power supplies may be turned on simultaneously.) Make sure that  $AV_{RH}$  never exceeds  $AV_{CC}$  when turning on/off power supplies.

## 8. Treatment of N.C. Pins

Make sure to leave N.C. pins open.

## 9. Fluctuation of Power Supply Voltage

Warranty range for normal operation against fluctuation of power supply voltage  $V_{CC}$  is as given in rating. However, sudden fluctuation of power supply voltage within the warranty range may cause malfunctions. It is recommended to make every effort to stabilize the power supply voltage to IC. It is also recommended that by controlling power supply as a reference of stabilizing,  $V_{CC}$  ripple fluctuation (P-P value) at the commercial frequency (50 Hz to 60 Hz) should be less than 10% of the standard  $V_{CC}$  value and the transient regulation should be less than 0.1 V/ms at instantaneous deviation like turning off the power supply.

## 10. Mode Setting Pins (MD0 to MD2)

Connect mode setting pins (MD0 to MD2) directly to  $V_{CC}$  or  $V_{SS}$ .

Arrange each mode setting pin and  $V_{CC}$  or  $V_{SS}$  patterns on the printed circuit board as close as possible and make the impedance between them minimal to prevent mistaken entrance to the test mode caused by noises.

## 11. Turning on the Power Supply

When turning on the power supply, never fail to start from setting the  $\overline{RST}$  pin to "L" level. And after the power supply voltage goes to  $V_{CC}$  level, at least after ensuring the time for 5 machine cycle, then set to "H" level.

## 12. Pin Condition at Turning on the Power Supply

The pin condition at turning on the power supply is unstable. The circuit starts being initialized after turning on the power supply and then starting oscillation and then the operation of the internal regulator becomes stable. So it takes about 42 ms for the pin to be initialized from the oscillation starting at the source oscillation 12.5 MHz. Take care that the pin condition may be output condition at initial unstable condition.

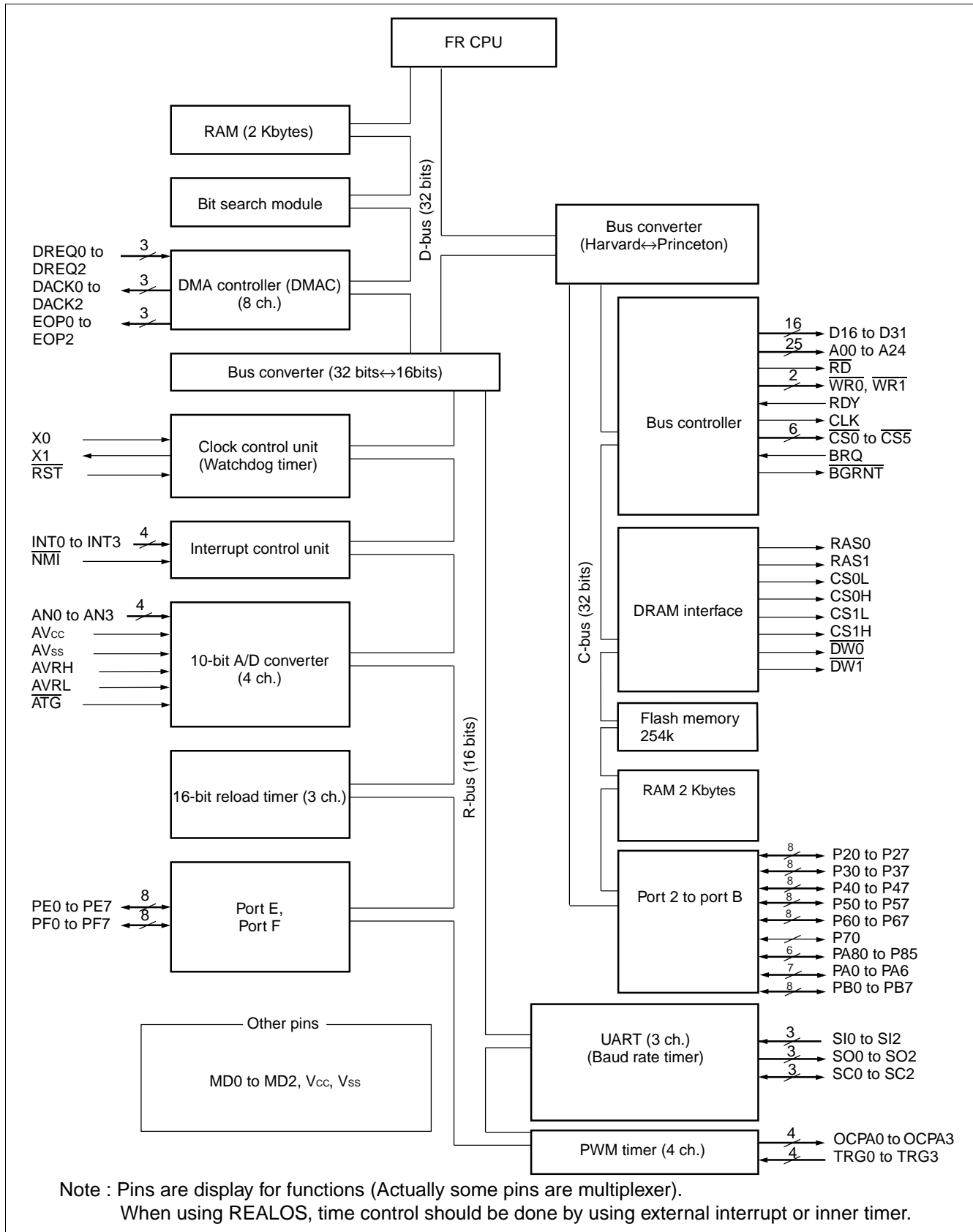
## 13. Source Oscillation Input at Turning on the Power Supply

At turning on the power supply, never fail to input the clock before cancellation of the oscillation stabilizing waiting.

## 14. Initialization

Some internal resistors initialized only via power on reset are embedded in the device. To initialize these resistors, run power on reset by returning on the power supply or to set  $\overline{RST}$  pin to "H" level.

## ■ BLOCK DIAGRAM



# MB91F109

## ■ CPU CORE

### 1. Memory Space

The FR family has a logical address space of 4 Gbytes ( $2^{32}$  bytes) and the CPU linearly accesses the memory space.

#### • Memory space

##### • Memory Space

Address	Single chip mode	Internal ROM/ external bus mode	External ROM/ external bus mode	
0000 0000H	I/O Area	I/O Area	I/O Area	} Direct addressing area*
0000 0400H	I/O Area	I/O Area	I/O Area	
0000 0800H	Access inhibited	Access inhibited	Access inhibited	} See "■ I/O MAP"
0000 1000H	RAM 2 Kbytes	RAM 2 Kbytes	RAM 2 Kbytes	
0000 1800H	Access inhibited	Access inhibited	Access inhibited	
0001 0000H	Access inhibited	External area	External area	
0008 0000H	Access inhibited	Access inhibited		
000C 0000H	RAM 2 Kbytes	RAM 2 Kbytes		
000C 0800H	FLASH ROM 254 Kbytes	FLASH ROM 254 Kbytes		
0010 0000H	Access inhibited	External area		
FFFF FFFFH				

#### \*: Direct addressing area

The following areas on the memory space are assigned to direct addressing area for I/O. In these areas, an address can be specified in a direct operand of a code.

Direct areas consists of the following areas dependent on accessible data sizes.

Byte data access: 000H to 0FFH

Half word data access: 000H to 1FFH

Word data access: 000H to 3FFH

Notes: Access to the external area can be execute in the single chip mode.  
To access to the external area, select internal ROM external bus mode via mode resistor.  
Never execute data access to the instruction ROM area.

## 2. Registers

The FR family has two types of registers; dedicated registers embedded on the CPU and general-purpose registers on memory.

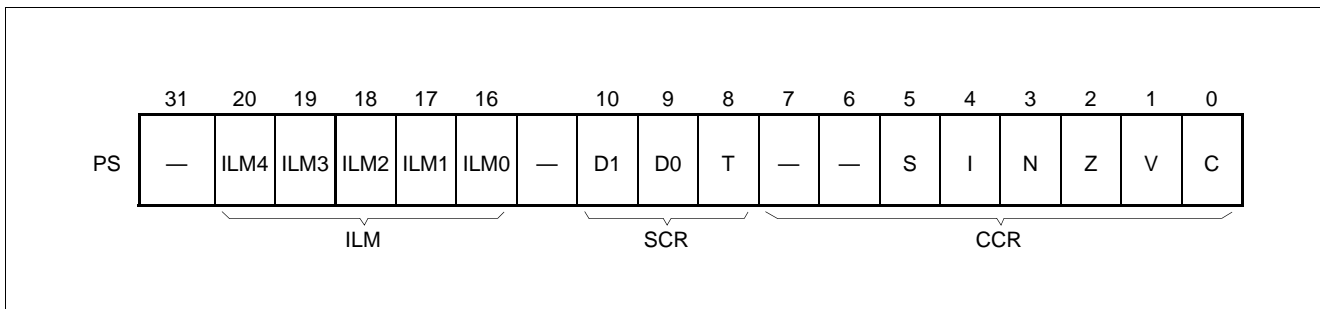
### • Dedicated registers

- Program counter (PC): 32-bit length, indicates the location of the instruction to be executed.
- Program status (PS): 32-bit length, register for storing register pointer or condition codes
- Table base register (TBR): Holds top address of vector table used in EIT (Exceptional/Interrupt/Trap) processing.
- Return pointer (RP): Holds address to resume operation after returning from a subroutine.
- System stack pointer (SSP): Indicates system stack space.
- User's stack pointer (USP): Indicates user's stack space.
- Multiplication/division result register (MDH/MDL): 32-bit length, register for multiplication/division

← 32 bits →		Initial value
PC	Program counter	XXXX XXXXH Indeterminate
PS	Program status	
TBR	Table base register	000F FC00H
RP	Return pointer	XXXX XXXXH Indeterminate
SSP	System stack pointer	0000 0000H
USP	User's stack pointer	XXXX XXXXH Indeterminate
MDH	Multiplication/division result register	XXXX XXXXH Indeterminate
MDL		XXXX XXXXH Indeterminate

### • Program status (PS)

The PS register is for holding program status and consists of a condition code register (CCR), a system condition code register (SCR) and a interrupt level mask register (ILM).



# MB91F109

- **Condition code register (CCR)**

- S-flag: Specifies a stack pointer used as R15.
- I-flag: Controls user interrupt request enable/disable.
- N-flag: Indicates sign bit when division result is assumed to be in the 2's complement format.
- Z-flag: Indicates whether or not the result of division was "0".
- V-flag: Assumes the operand used in calculation in the 2's complement format and indicates whether or not overflow has occurred.
- C-flag: Indicates if a carry or borrow from the MSB has occurred.

- **System condition code register (SCR)**

- T-flag: Specifies whether or not to enable step trace trap.

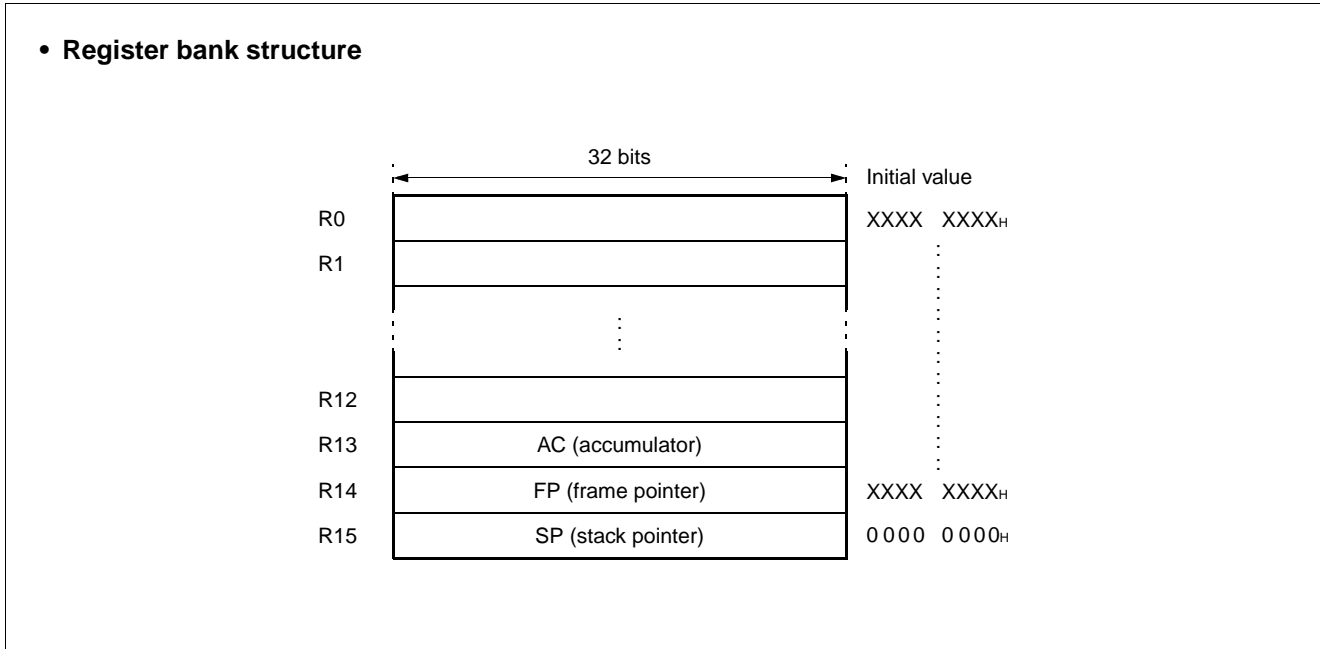
- **Interrupt level mask register (ILM)**

ILM4 to ILM0: Register for holding interrupt level mask value. The value held by this register is used as a level mask. When an interrupt request issued to the CPU is higher than the level held by ILM, the interrupt request is accepted.

ILM4	ILM3	ILM2	ILM1	ILM0	Interrupt level	High-low
0	0	0	0	0	0	High ↑ ↓ Low
		⋮			⋮	
0	1	0	0	0	15	
		⋮			⋮	
1	1	1	1	1	31	

## ■ GENERAL-PURPOSE REGISTERS

R0 to R15 are general-purpose registers embedded on the CPU. These registers functions as an accumulator and a memory access pointer (field for indicating address).



Of the above 16 registers, following registers have special functions. To support the special functions, part of the instruction set has been sophisticated to have enhanced functions.

- R13: Virtual accumulator (AC)
- R14: Frame pointer (FP)
- R15: Stack pointer (SP)

Upon reset, values in R0 to R14 are not fixed. Value in R15 is initialized to be 0000 0000<sub>H</sub> (SSP value).

# MB91F109

## ■ SETTING MODE

### 1. Pin

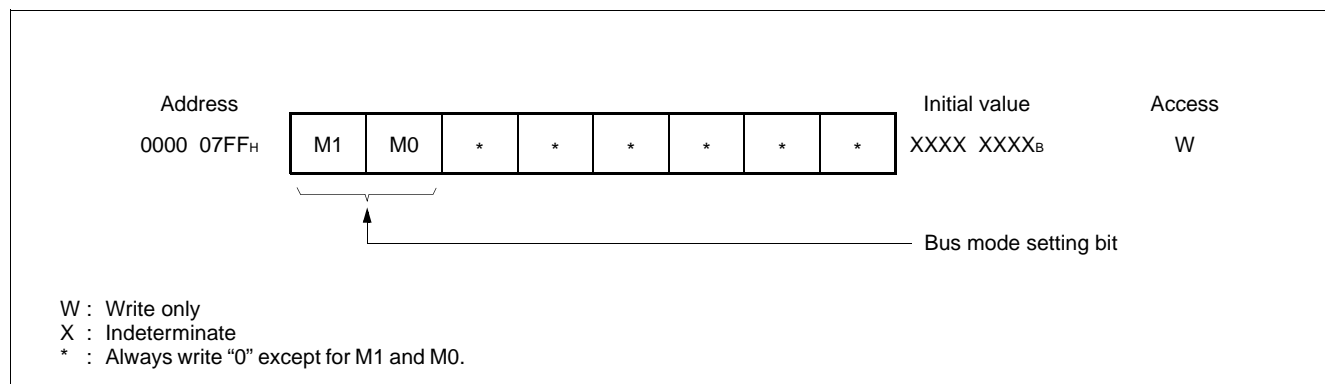
#### • Mode setting pins and modes

Mode setting pins			Mode name	Reset vector access area	External data bus width	Bus mode
MD2	MD1	MD0				
0	0	0	External vector mode 0	External	8 bits	External ROM/external bus mode
0	0	1	External vector mode 1	External	16 bits	
0	1	0	—	—	—	Inhibited
0	1	1	Internal vector mode	Internal	(Mode register)	Single-chip mode*
1	—	—	—	—	—	Not use

\*: MB91F109 support single-chip mode.

### 2. Registers

#### • Mode setting registers (MODR) and modes



#### • Bus mode setting bits and functions

M1	M0	Functions	Note
0	0	Single-chip mode	
0	1	Internal ROM/external bus mode	
1	0	External ROM/external bus mode	
1	1	—	Inhibited



## ■ I/O MAP

Address	Register name (abbreviated)	Register name	Read/write	Resources name	Initial value
000000 <sub>H</sub>	PDR3	Port 3 data register	R/W	Port 3	XXXXXXXX <sub>B</sub>
000001 <sub>H</sub>	PDR2	Port 2 data register	R/W	Port 2	XXXXXXXX <sub>B</sub>
000002 <sub>H</sub>	(Vacancy)				
000003 <sub>H</sub>					
000004 <sub>H</sub>	PDR7	Port 7 data register	R/W	Port 7	-----X <sub>B</sub>
000005 <sub>H</sub>	PDR6	Port 6 data register	R/W	Port 6	XXXXXXXX <sub>B</sub>
000006 <sub>H</sub>	PDR5	Port 5 data register	R/W	Port 5	XXXXXXXX <sub>B</sub>
000007 <sub>H</sub>	PDR4	Port 4 data register	R/W	Port 4	XXXXXXXX <sub>B</sub>
000008 <sub>H</sub>	PDRB	Port B data register	R/W	Port B	XXXXXXXX <sub>B</sub>
000009 <sub>H</sub>	PDRA	Port A data register	R/W	Port A	-XXXXXXXX <sub>B</sub>
00000A <sub>H</sub>	(Vacancy)				
00000B <sub>H</sub>	PDR8	Port 8 data register	R/W	Port 8	--XXXXXXXX <sub>B</sub>
00000C <sub>H</sub> to 000011 <sub>H</sub>	(Vacancy)				
000012 <sub>H</sub>	PDRE	Port E data register	R/W	Port E	XXXXXXXX <sub>B</sub>
000013 <sub>H</sub>	PDRF	Port F data register	R/W	Port F	XXXXXXXX <sub>B</sub>
000014 <sub>H</sub> to 00001B <sub>H</sub>	(Vacancy)				
00001C <sub>H</sub>	SSR0	Serial status register 0	R/W	UART0	00001-00 <sub>B</sub>
00001D <sub>H</sub>	SIDR0/SODR0	Serial input data register 0/serial output data register 0	R/W		XXXXXXXX <sub>B</sub>
00001E <sub>H</sub>	SCR0	Serial control register 0	R/W		00000100 <sub>B</sub>
00001F <sub>H</sub>	SMR0	Serial mode register 0	R/W		00--0-00 <sub>B</sub>
000020 <sub>H</sub>	SSR1	Serial status register 1	R/W	UART1	00001-00 <sub>B</sub>
000021 <sub>H</sub>	SIDR1/SODR1	Serial input data register 1/serial output data register 1	R/W		XXXXXXXX <sub>B</sub>
000022 <sub>H</sub>	SCR1	Serial control register 1	R/W		00000100 <sub>B</sub>
000023 <sub>H</sub>	SMR1	Serial mode register 1	R/W		00--0-00 <sub>B</sub>
000024 <sub>H</sub>	SSR2	Serial status register 2	R/W	UART2	00001-00 <sub>B</sub>
000025 <sub>H</sub>	SIDR2/SODR2	Serial input data register 2/serial output data register 2	R/W		XXXXXXXX <sub>B</sub>
000026 <sub>H</sub>	SCR2	Serial control register 2	R/W		00000100 <sub>B</sub>
000027 <sub>H</sub>	SMR2	Serial mode register 2	R/W		00--0-00 <sub>B</sub>

(Continued)

# MB91F109

Address	Register name (abbreviated)	Register name	Read/write	Resources name	Initial value
000028 <sub>H</sub>	TMRLR0	16-bit reload register 0	W	16-bit reload timer 0	XXXXXXXX <sub>B</sub>
000029 <sub>H</sub>					XXXXXXXX <sub>B</sub>
00002A <sub>H</sub>	TMR0	16-bit timer register 0	R		XXXXXXXX <sub>B</sub>
00002B <sub>H</sub>					XXXXXXXX <sub>B</sub>
00002C <sub>H</sub>	(Vacancy)				
00002D <sub>H</sub>					
00002E <sub>H</sub>	TMCSR0	16-bit reload timer control status register 0	R/W	16-bit reload timer 0	----0000 <sub>B</sub>
00002F <sub>H</sub>					00000000 <sub>B</sub>
000030 <sub>H</sub>	TMRLR1	16-bit reload register 1	W	16-bit reload timer 1	XXXXXXXX <sub>B</sub>
000031 <sub>H</sub>					XXXXXXXX <sub>B</sub>
000032 <sub>H</sub>	TMR1	16-bit timer register 1	R		XXXXXXXX <sub>B</sub>
000033 <sub>H</sub>					XXXXXXXX <sub>B</sub>
000034 <sub>H</sub>	(Vacancy)				
000035 <sub>H</sub>					
000036 <sub>H</sub>	TMCSR1	16-bit reload timer control status register 1	R/W	16-bit reload timer 1	----0000 <sub>B</sub>
000037 <sub>H</sub>					00000000 <sub>B</sub>
000038 <sub>H</sub>	ADCR	A/D converter data register	R	10-bit A/D converter	000000XX <sub>B</sub>
000039 <sub>H</sub>					XXXXXXXX <sub>B</sub>
00003A <sub>H</sub>	ADCS	A/D converter control status register	R/W		00000000 <sub>B</sub>
00003B <sub>H</sub>					00000000 <sub>B</sub>
00003C <sub>H</sub>	TMRLR2	16-bit reload register 2	W	16-bit reload timer 2	XXXXXXXX <sub>B</sub>
00003D <sub>H</sub>					XXXXXXXX <sub>B</sub>
00003E <sub>H</sub>	TMR2	16-bit timer register 2	R		XXXXXXXX <sub>B</sub>
00003F <sub>H</sub>					XXXXXXXX <sub>B</sub>
000040 <sub>H</sub>	(Vacancy)				
000041 <sub>H</sub>					
000042 <sub>H</sub>	TMCSR2	16-bit reload timer control status register 2	R/W	16-bit reload timer 2	----0000 <sub>B</sub>
000043 <sub>H</sub>					00000000 <sub>B</sub>
000044 <sub>H</sub> to 000077 <sub>H</sub>	(Vacancy)				

(Continued)

Address	Register name (abbreviated)	Register name	Read/write	Resources name	Initial value
000078 <sub>H</sub>	UTIM0/UTIMR0	U-TIMER register ch. 0 /U-TIMER reload register ch. 0	R/W	U-TIMER 0	0 0 0 0 0 0 0 0 <sub>B</sub>
000079 <sub>H</sub>					0 0 0 0 0 0 0 0 <sub>B</sub>
00007A <sub>H</sub>	(Vacancy)				
00007B <sub>H</sub>	UTIMC0	U-TIMER control register ch. 0	R/W	U-TIMER 0	0 -- 0 0 0 0 1 <sub>B</sub>
00007C <sub>H</sub>	UTIM1/UTIMR1	U-TIMER register ch. 1/reload register ch. 1	R/W	U-TIMER 1	0 0 0 0 0 0 0 0 <sub>B</sub>
00007D <sub>H</sub>					0 0 0 0 0 0 0 0 <sub>B</sub>
00007E <sub>H</sub>	(Vacancy)				
00007F <sub>H</sub>	UTIMC1	U-TIMER control register ch. 1	R/W	U-TIMER 1	0 -- 0 0 0 0 1 <sub>B</sub>
000080 <sub>H</sub>	UTIM2/UTIMR2	U-TIMER register ch. 2/U-TIMER reload register ch. 2	R/W	U-TIMER 2	0 0 0 0 0 0 0 0 <sub>B</sub>
000081 <sub>H</sub>					0 0 0 0 0 0 0 0 <sub>B</sub>
000082 <sub>H</sub>	(Vacancy)				
000083 <sub>H</sub>	UTIMC2	U-TIMER control register ch. 2	R/W	U-TIMER 2	0 -- 0 0 0 0 1 <sub>B</sub>
000084 <sub>H</sub> to 000093 <sub>H</sub>	(Vacancy)				
000094 <sub>H</sub>	EIRR	External interrupt cause register	R/W	External interrupt/ NMI	0 0 0 0 0 0 0 0 <sub>B</sub>
000095 <sub>H</sub>	ENIR	Interrupt enable register	R/W		0 0 0 0 0 0 0 0 <sub>B</sub>
000096 <sub>H</sub> to 000098 <sub>H</sub>	(Vacancy)				
000099 <sub>H</sub>	ELVR	External interrupt request level setting register	R/W	External interrupt/ NMI	0 0 0 0 0 0 0 0 <sub>B</sub>
00009A <sub>H</sub> to 0000D1 <sub>H</sub>	(Vacancy)				
0000D2 <sub>H</sub>	DDRE	Port E data direction register	W	Port E	0 0 0 0 0 0 0 0 <sub>B</sub>
0000D3 <sub>H</sub>	DDRF	Port F data direction register	W	Port F	0 0 0 0 0 0 0 0 <sub>B</sub>
0000D4 <sub>H</sub> to 0000DB <sub>H</sub>	(Vacancy)				
0000DC <sub>H</sub>	GCN1	General control register 1	R/W	PWM timer 1	0 0 1 1 0 0 1 0 <sub>B</sub>
0000DD <sub>H</sub>					0 0 0 1 0 0 0 0 <sub>B</sub>
0000DE <sub>H</sub>	(Vacancy)				
0000DF <sub>H</sub>	GCN2	General control register 2	R/W	PWM timer 2	0 0 0 0 0 0 0 0 <sub>B</sub>

*(Continued)*

# MB91F109

Address	Register name (abbreviated)	Register name	Read/write	Resources name	Initial value
0000E0 <sub>H</sub>	PTMR0	PWM timer register 0	R	PWM timer 0	1 1 1 1 1 1 1 1 <sub>B</sub>
0000E1 <sub>H</sub>					1 1 1 1 1 1 1 1 <sub>B</sub>
0000E2 <sub>H</sub>	PCSR0	PWM cycle setting register 0	W		XXXXXXXX <sub>B</sub>
0000E3 <sub>H</sub>					XXXXXXXX <sub>B</sub>
0000E4 <sub>H</sub>	PDUT0	PWM duty setting register 0	W		XXXXXXXX <sub>B</sub>
0000E5 <sub>H</sub>					XXXXXXXX <sub>B</sub>
0000E6 <sub>H</sub>	PCNH0	Control status register H 0	R/W		0 0 0 0 0 0 0 – <sub>B</sub>
0000E7 <sub>H</sub>	PCNL0	Control status register L 0	R/W		0 0 0 0 0 0 0 <sub>B</sub>
0000E8 <sub>H</sub>	PTMR1	PWM timer register 1	R	PWM timer 1	1 1 1 1 1 1 1 1 <sub>B</sub>
0000E9 <sub>H</sub>					1 1 1 1 1 1 1 1 <sub>B</sub>
0000EA <sub>H</sub>	PCSR1	PWM cycle setting register 1	W		XXXXXXXX <sub>B</sub>
0000EB <sub>H</sub>					XXXXXXXX <sub>B</sub>
0000EC <sub>H</sub>	PDUT1	PWM duty setting register 1	W		XXXXXXXX <sub>B</sub>
0000ED <sub>H</sub>					XXXXXXXX <sub>B</sub>
0000EE <sub>H</sub>	PCNH1	Control status register H 1	R/W		0 0 0 0 0 0 0 – <sub>B</sub>
0000EF <sub>H</sub>	PCNL1	Control status register L 1	R/W		0 0 0 0 0 0 0 <sub>B</sub>
0000F0 <sub>H</sub>	PTMR2	PWM timer register 2	R	PWM timer 2	1 1 1 1 1 1 1 1 <sub>B</sub>
0000F1 <sub>H</sub>					1 1 1 1 1 1 1 1 <sub>B</sub>
0000F2 <sub>H</sub>	PCSR2	PWM cycle setting register 2	W		XXXXXXXX <sub>B</sub>
0000F3 <sub>H</sub>					XXXXXXXX <sub>B</sub>
0000F4 <sub>H</sub>	PDUT2	PWM duty setting register 2	W		XXXXXXXX <sub>B</sub>
0000F5 <sub>H</sub>					XXXXXXXX <sub>B</sub>
0000F6 <sub>H</sub>	PCNH2	Control status register H 2	R/W		0 0 0 0 0 0 0 – <sub>B</sub>
0000F7 <sub>H</sub>	PCNL2	Control status register L 2	R/W		0 0 0 0 0 0 0 <sub>B</sub>
0000F8 <sub>H</sub>	PTMR3	PWM timer register 3	R	PWM timer 3	1 1 1 1 1 1 1 1 <sub>B</sub>
0000F9 <sub>H</sub>					1 1 1 1 1 1 1 1 <sub>B</sub>
0000FA <sub>H</sub>	PCSR3	PWM cycle setting register 3	W		XXXXXXXX <sub>B</sub>
0000FB <sub>H</sub>					XXXXXXXX <sub>B</sub>
0000FC <sub>H</sub>	PDUT3	PWM duty setting register 3	W		XXXXXXXX <sub>B</sub>
0000FD <sub>H</sub>					XXXXXXXX <sub>B</sub>
0000FE <sub>H</sub>	PCNH3	Control status register H 3	R/W		0 0 0 0 0 0 0 – <sub>B</sub>
0000FF <sub>H</sub>	PCNL3	Control status register L 3	R/W		0 0 0 0 0 0 0 <sub>B</sub>

(Continued)

Address	Register name (abbreviated)	Register name	Read/write	Resources name	Initial value
000100 <sub>H</sub> to 0001FF <sub>H</sub>	(Vacancy)				
000200 <sub>H</sub>	DPDP	DMAC parameter descriptor pointer	R/W	DMA controller (DMAC)	XXXXXXXX <sub>B</sub>
000201 <sub>H</sub>					XXXXXXXX <sub>B</sub>
000202 <sub>H</sub>					XXXXXXXX <sub>B</sub>
000203 <sub>H</sub>					X0000000 <sub>B</sub>
000204 <sub>H</sub>	DACSR	DMAC control status register	R/W		00000000 <sub>B</sub>
000205 <sub>H</sub>					00000000 <sub>B</sub>
000206 <sub>H</sub>					00000000 <sub>B</sub>
000207 <sub>H</sub>					00000000 <sub>B</sub>
000208 <sub>H</sub>	DATCR	DMAC pin control register	R/W		XXXXXXXX <sub>B</sub>
000209 <sub>H</sub>					XX000000 <sub>B</sub>
00020A <sub>H</sub>					XX000000 <sub>B</sub>
00020B <sub>H</sub>					XX000000 <sub>B</sub>
00020C <sub>H</sub> to 0003EF <sub>H</sub>	(Vacancy)				
0003F0 <sub>H</sub>	BSD0	Bit search module 0-detection data register	R/W	Bit search module	XXXXXXXX <sub>B</sub>
0003F1 <sub>H</sub>					XXXXXXXX <sub>B</sub>
0003F2 <sub>H</sub>					XXXXXXXX <sub>B</sub>
0003F3 <sub>H</sub>					XXXXXXXX <sub>B</sub>
0003F4 <sub>H</sub>	BSD1	Bit search module 1-detection data register	R/W		XXXXXXXX <sub>B</sub>
0003F5 <sub>H</sub>					XXXXXXXX <sub>B</sub>
0003F6 <sub>H</sub>					XXXXXXXX <sub>B</sub>
0003F7 <sub>H</sub>					XXXXXXXX <sub>B</sub>
0003F8 <sub>H</sub>	BSDC	Bit search module transition-detection data register	W		XXXXXXXX <sub>B</sub>
0003F9 <sub>H</sub>					XXXXXXXX <sub>B</sub>
0003FA <sub>H</sub>					XXXXXXXX <sub>B</sub>
0003FB <sub>H</sub>					XXXXXXXX <sub>B</sub>
0003FC <sub>H</sub>	BSRR	Bit search module detection result register	R	XXXXXXXX <sub>B</sub>	
0003FD <sub>H</sub>				XXXXXXXX <sub>B</sub>	
0003FE <sub>H</sub>				XXXXXXXX <sub>B</sub>	
0003FF <sub>H</sub>				XXXXXXXX <sub>B</sub>	

(Continued)

# MB91F109

Address	Register name (abbreviated)	Register name	Read/write	Resources name	Initial value
000400H	ICR00	Interrupt control register 0	R/W	Interrupt controller	---11111 <sub>B</sub>
000401H	ICR01	Interrupt control register 1	R/W		---11111 <sub>B</sub>
000402H	ICR02	Interrupt control register 2	R/W		---11111 <sub>B</sub>
000403H	ICR03	Interrupt control register 3	R/W		---11111 <sub>B</sub>
000404H	ICR04	Interrupt control register 4	R/W		---11111 <sub>B</sub>
000405H	ICR05	Interrupt control register 5	R/W		---11111 <sub>B</sub>
000406H	ICR06	Interrupt control register 6	R/W		---11111 <sub>B</sub>
000407H	ICR07	Interrupt control register 7	R/W		---11111 <sub>B</sub>
000408H	ICR08	Interrupt control register 8	R/W		---11111 <sub>B</sub>
000409H	ICR09	Interrupt control register 9	R/W		---11111 <sub>B</sub>
00040AH	ICR10	Interrupt control register 10	R/W		---11111 <sub>B</sub>
00040BH	ICR11	Interrupt control register 11	R/W		---11111 <sub>B</sub>
00040CH	ICR12	Interrupt control register 12	R/W		---11111 <sub>B</sub>
00040DH	ICR13	Interrupt control register 13	R/W		---11111 <sub>B</sub>
00040EH	ICR14	Interrupt control register 14	R/W		---11111 <sub>B</sub>
00040FH	ICR15	Interrupt control register 15	R/W		---11111 <sub>B</sub>
000410H	ICR16	Interrupt control register 16	R/W		---11111 <sub>B</sub>
000411H	ICR17	Interrupt control register 17	R/W		---11111 <sub>B</sub>
000412H	ICR18	Interrupt control register 18	R/W		---11111 <sub>B</sub>
000413H	ICR19	Interrupt control register 19	R/W		---11111 <sub>B</sub>
000414H	ICR20	Interrupt control register 20	R/W		---11111 <sub>B</sub>
000415H	ICR21	Interrupt control register 21	R/W		---11111 <sub>B</sub>
000416H	ICR22	Interrupt control register 22	R/W		---11111 <sub>B</sub>
000417H	ICR23	Interrupt control register 23	R/W		---11111 <sub>B</sub>
000418H	ICR24	Interrupt control register 24	R/W		---11111 <sub>B</sub>
000419H	ICR25	Interrupt control register 25	R/W		---11111 <sub>B</sub>
00041AH	ICR26	Interrupt control register 26	R/W		---11111 <sub>B</sub>
00041BH	ICR27	Interrupt control register 27	R/W		---11111 <sub>B</sub>
00041CH	ICR28	Interrupt control register 28	R/W		---11111 <sub>B</sub>
00041DH	ICR29	Interrupt control register 29	R/W		---11111 <sub>B</sub>
00041EH	ICR30	Interrupt control register 30	R/W		---11111 <sub>B</sub>
00041FH	ICR31	Interrupt control register 31	R/W		---11111 <sub>B</sub>

(Continued)

Address	Register name (abbreviated)	Register name	Read/write	Resources name	Initial value
000420 <sub>H</sub> to 00042E <sub>H</sub>	(Vacancy)				
00042F <sub>H</sub>	ICR47	Interrupt control register 47	R/W	Interrupt controller	---11111 <sub>B</sub>
000430 <sub>H</sub>	DICR	Delayed interrupt control register	R/W		-----0 <sub>B</sub>
000431 <sub>H</sub>	HRCL	Hold request cancel request level setting register	R/W		---11111 <sub>B</sub>
000432 <sub>H</sub> to 00047F <sub>H</sub>	(Vacancy)				
000480 <sub>H</sub>	RSRR/WTCR	Reset cause register/ watchdog cycle control register	R/W	Clock generator	1XXXX-00 <sub>B</sub>
000481 <sub>H</sub>	STCR	Standby control register	R/W		000111-- <sub>B</sub>
000482 <sub>H</sub>	PDRR	DMA controller request squelch register	R/W		----0000 <sub>B</sub>
000483 <sub>H</sub>	CTBR	Timebase timer clear register	W		XXXXXXXX <sub>B</sub>
000484 <sub>H</sub>	GCR	Gear control register	R/W		110011-1 <sub>B</sub>
000485 <sub>H</sub>	WPR	Watchdog reset occurrence postpone register	W		XXXXXXXX <sub>B</sub>
000486 <sub>H</sub> 000487 <sub>H</sub>	(Vacancy)				
000488 <sub>H</sub>	PCTR	PLL control register	R/W	PLL control	00--0--- <sub>B</sub>
000489 <sub>H</sub> to 0005FF <sub>H</sub>	(Vacancy)				
000600 <sub>H</sub>	DDR3	Port 3 data direction register	W	Port 3	00000000 <sub>B</sub>
000601 <sub>H</sub>	DDR2	Port 2 data direction register	W	Port 2	00000000 <sub>B</sub>
000602 <sub>H</sub> 000603 <sub>H</sub>	(Vacancy)				
000604 <sub>H</sub>	DDR7	Port 7 data direction register	W	Port 7	-----0 <sub>B</sub>
000605 <sub>H</sub>	DDR6	Port 6 data direction register	W	Port 6	00000000 <sub>B</sub>
000606 <sub>H</sub>	DDR5	Port 5 data direction register	W	Port 5	00000000 <sub>B</sub>
000607 <sub>H</sub>	DDR4	Port 4 data direction register	W	Port 4	00000000 <sub>B</sub>
000608 <sub>H</sub>	DDRB	Port B data direction register	W	Port B	00000000 <sub>B</sub>
000609 <sub>H</sub>	DDRA	Port A data direction register	W	Port A	-0000000 <sub>B</sub>
00060A <sub>H</sub>	(Vacancy)				
00060B <sub>H</sub>	DDR8	Port 8 data direction register	W	Port 8	--000000 <sub>B</sub>

(Continued)

# MB91F109

Address	Register name (abbreviated)	Register name	Read/write	Resources name	Initial value
00060C <sub>H</sub>	ASR1	Area select register 1	W	External bus interface	0 0 0 0 0 0 0 0 <sub>B</sub>
00060D <sub>H</sub>					0 0 0 0 0 0 0 1 <sub>B</sub>
00060E <sub>H</sub>	AMR1	Area mask register 1	W		0 0 0 0 0 0 0 0 <sub>B</sub>
00060F <sub>H</sub>					0 0 0 0 0 0 0 0 <sub>B</sub>
000610 <sub>H</sub>	ASR2	Area select register 2	W		0 0 0 0 0 0 0 0 <sub>B</sub>
000611 <sub>H</sub>					0 0 0 0 0 0 1 0 <sub>B</sub>
000612 <sub>H</sub>	AMR2	Area mask register 2	W		0 0 0 0 0 0 0 0 <sub>B</sub>
000613 <sub>H</sub>					0 0 0 0 0 0 0 0 <sub>B</sub>
000614 <sub>H</sub>	ASR3	Area select register 3	W		0 0 0 0 0 0 0 0 <sub>B</sub>
000615 <sub>H</sub>					0 0 0 0 0 0 1 1 <sub>B</sub>
000616 <sub>H</sub>	AMR3	Area mask register 3	W		0 0 0 0 0 0 0 0 <sub>B</sub>
000617 <sub>H</sub>					0 0 0 0 0 0 0 0 <sub>B</sub>
000618 <sub>H</sub>	ASR4	Area select register 4	W		0 0 0 0 0 0 0 0 <sub>B</sub>
000619 <sub>H</sub>					0 0 0 0 0 1 0 0 <sub>B</sub>
00061A <sub>H</sub>	AMR4	Area mask register 4	W		0 0 0 0 0 0 0 0 <sub>B</sub>
00061B <sub>H</sub>					0 0 0 0 0 0 0 0 <sub>B</sub>
00061C <sub>H</sub>	ASR5	Area select register 5	W		0 0 0 0 0 0 0 0 <sub>B</sub>
00061D <sub>H</sub>					0 0 0 0 0 1 0 1 <sub>B</sub>
00061E <sub>H</sub>	AMR5	Area mask register 5	W		0 0 0 0 0 0 0 0 <sub>B</sub>
00061F <sub>H</sub>					0 0 0 0 0 0 0 0 <sub>B</sub>
000620 <sub>H</sub>	AMD0	Area mode register 0	R/W		---00111 <sub>B</sub>
000621 <sub>H</sub>	AMD1	Area mode register 1	R/W		0--00000 <sub>B</sub>
000622 <sub>H</sub>	AMD32	Area mode register 32	R/W		00000000 <sub>B</sub>
000623 <sub>H</sub>	AMD4	Area mode register 4	R/W		0--00000 <sub>B</sub>
000624 <sub>H</sub>	AMD5	Area mode register 5	R/W		0--00000 <sub>B</sub>
000625 <sub>H</sub>	DSCR	DRAM signal control register	W		00000000 <sub>B</sub>
000626 <sub>H</sub>	RFCR	Refresh control register	R/W		--XXXXXX <sub>B</sub>
000627 <sub>H</sub>					00---000 <sub>B</sub>
000628 <sub>H</sub>	EPCR0	External pin control register 0	W		----1100 <sub>B</sub>
000629 <sub>H</sub>					-1111111 <sub>B</sub>
00062A <sub>H</sub>	EPCR1	External pin control register 1	W		-----1 <sub>B</sub>
00062B <sub>H</sub>					11111111 <sub>B</sub>
00062C <sub>H</sub>	DMCR4	DRAM control register 4	R/W	00000000 <sub>B</sub>	
00062D <sub>H</sub>				0000000- <sub>B</sub>	
00062E <sub>H</sub>	DMCR5	DRAM control register 5	R/W	00000000 <sub>B</sub>	
00062F <sub>H</sub>				0000000- <sub>B</sub>	

(Continued)



(Continued)

Address	Register name (abbreviated)	Register name	Read/write	Resources name	Initial value
000630 <sub>H</sub> to 0007BF <sub>H</sub>		(Vacancy)			
0007C0 <sub>H</sub>	FSTR	FLASH memory status register	R/W	FLASH memory	0 0 0 X X X X 0 <sub>B</sub>
0007C1 <sub>H</sub> to 0007FD <sub>H</sub>		(Vacancy)			
0007FE <sub>H</sub>	LER	Little endian register	W	External bus interface	----- 0 0 0 <sub>B</sub>
0007FF <sub>H</sub>	MODR	Mode register	W		X X X X X X X X <sub>B</sub>

### About Programming

R/W: Readable and writable

R: Read only

W: Write only

### Explanation of initial values

0: The initial value of this bit is "0".

1: The initial value of this bit is "1".

X: The initial value of this bit is undefined.

–: This bit is not used. The initial value of this bit is undefined.

### RMW system instructions (RMW: Read Modify Write)

AND	Rj, @ Ri	OR	Rj, @ Ri	EOR	Rj, @ Ri
ANDH	Rj, @ Ri	ORH	Rj, @ Ri	EORH	Rj, @ Ri
ANDB	Rj, @ Ri	ORB	Rj, @ Ri	EORB	Rj, @ Ri
BANDL	#μ4, @ Ri	BORL	#μ4, @ Ri	BEORL	#μ4, @ Ri
BANDH	#μ4, @ Ri	BORH	#μ4, @ Ri	BEORH	#μ4, @ Ri

- Notes:
- Never execute a RMW system instruction to the resistor has a write only bit.
  - The area "vacancy" on the I/O map is reserved area. Access to this area are deal with to an internal area. No access signals to the external area would be generated.

# MB91F109

## ■ INTERRUPT CAUSES, INTERRUPT VECTORS AND INTERRUPT CONTROL REGISTER ALLOCATIONS

Interrupt causes	Interrupt number		Interrupt level		TBR default address
	Decimal	Hexadecimal	Register	Offset	
Reset	0	00	—	3FC <sub>H</sub>	000FFFFC <sub>H</sub>
Reserved for system	1	01	—	3F8 <sub>H</sub>	000FFFF8 <sub>H</sub>
Reserved for system	2	02	—	3F4 <sub>H</sub>	000FFFF4 <sub>H</sub>
Reserved for system	3	03	—	3F0 <sub>H</sub>	000FFFF0 <sub>H</sub>
Reserved for system	4	04	—	3EC <sub>H</sub>	000FFFE <sub>C</sub>
Reserved for system	5	05	—	3E8 <sub>H</sub>	000FFFE8 <sub>H</sub>
Reserved for system	6	06	—	3E4 <sub>H</sub>	000FFFE4 <sub>H</sub>
Reserved for system	7	07	—	3E0 <sub>H</sub>	000FFFE0 <sub>H</sub>
Reserved for system	8	08	—	3DC <sub>H</sub>	000FFFD <sub>C</sub>
Reserved for system	9	09	—	3D8 <sub>H</sub>	000FFFD8 <sub>H</sub>
Reserved for system	10	0A	—	3D4 <sub>H</sub>	000FFFD4 <sub>H</sub>
Reserved for system	11	0B	—	3D0 <sub>H</sub>	000FFFD0 <sub>H</sub>
Reserved for system	12	0C	—	3CC <sub>H</sub>	000FFFC <sub>C</sub>
Reserved for system	13	0D	—	3C8 <sub>H</sub>	000FFFC8 <sub>H</sub>
Exception for undefined instruction	14	0E	—	3C4 <sub>H</sub>	000FFFC4 <sub>H</sub>
NMI request	15	0F	F <sub>H</sub> fixed	3C0 <sub>H</sub>	000FFFC0 <sub>H</sub>
External interrupt 0	16	10	ICR00	3BC <sub>H</sub>	000FFFB <sub>C</sub>
External interrupt 1	17	11	ICR01	3B8 <sub>H</sub>	000FFFB8 <sub>H</sub>
External interrupt 2	18	12	ICR02	3B4 <sub>H</sub>	000FFFB4 <sub>H</sub>
External interrupt 3	19	13	ICR03	3B0 <sub>H</sub>	000FFFB0 <sub>H</sub>
UART0 receive complete	20	14	ICR04	3AC <sub>H</sub>	000FFFA <sub>C</sub>
UART1 receive complete	21	15	ICR05	3A8 <sub>H</sub>	000FFFA8 <sub>H</sub>
UART2 receive complete	22	16	ICR06	3A4 <sub>H</sub>	000FFFA4 <sub>H</sub>
UART0 transmit complete	23	17	ICR07	3A0 <sub>H</sub>	000FFFA0 <sub>H</sub>
UART1 transmit complete	24	18	ICR08	39C <sub>H</sub>	000FFF9 <sub>C</sub>
UART2 transmit complete	25	19	ICR09	398 <sub>H</sub>	000FFF98 <sub>H</sub>
DMAC0 (complete, error)	26	1A	ICR10	394 <sub>H</sub>	000FFF94 <sub>H</sub>
DMAC1 (complete, error)	27	1B	ICR11	390 <sub>H</sub>	000FFF90 <sub>H</sub>
DMAC2 (complete, error)	28	1C	ICR12	38C <sub>H</sub>	000FFF8 <sub>C</sub>
DMAC3 (complete, error)	29	1D	ICR13	388 <sub>H</sub>	000FFF88 <sub>H</sub>
DMAC4 (complete, error)	30	1E	ICR14	384 <sub>H</sub>	000FFF84 <sub>H</sub>
DMAC5 (complete, error)	31	1F	ICR15	380 <sub>H</sub>	000FFF80 <sub>H</sub>

(Continued)

Interrupt causes	Interrupt number		Interrupt level		TBR default address
	Decimal	Hexadecimal	Register	Offset	
DMAC6 (complete, error)	32	20	ICR16	37C <sub>H</sub>	000FFF7C <sub>H</sub>
DMAC7 (complete, error)	33	21	ICR17	378 <sub>H</sub>	000FFF78 <sub>H</sub>
A/D converter (successive approximation conversion type)	34	22	ICR18	374 <sub>H</sub>	000FFF74 <sub>H</sub>
16-bit reload timer 0	35	23	ICR19	370 <sub>H</sub>	000FFF70 <sub>H</sub>
16-bit reload timer 1	36	24	ICR20	36C <sub>H</sub>	000FFF6C <sub>H</sub>
16-bit reload timer 2	37	25	ICR21	368 <sub>H</sub>	000FFF68 <sub>H</sub>
PWM 0	38	26	ICR22	364 <sub>H</sub>	000FFF64 <sub>H</sub>
PWM 1	39	27	ICR23	360 <sub>H</sub>	000FFF60 <sub>H</sub>
PWM 2	40	28	ICR24	35C <sub>H</sub>	000FFF5C <sub>H</sub>
PWM 3	41	29	ICR25	358 <sub>H</sub>	000FFF58 <sub>H</sub>
U-TIMER 0	42	2A	ICR26	354 <sub>H</sub>	000FFF54 <sub>H</sub>
U-TIMER 1	43	2B	ICR27	350 <sub>H</sub>	000FFF50 <sub>H</sub>
U-TIMER 2	44	2C	ICR28	34C <sub>H</sub>	000FFF4C <sub>H</sub>
FLASH memory	45	2D	ICR29	348 <sub>H</sub>	000FFF48 <sub>H</sub>
Reserved for system	46	2E	ICR30	344 <sub>H</sub>	000FFF44 <sub>H</sub>
Reserved for system	47	2F	ICR31	340 <sub>H</sub>	000FFF40 <sub>H</sub>
Reserved for system	48	30	—	33C <sub>H</sub>	000FFF3C <sub>H</sub>
Reserved for system	49	31	—	338 <sub>H</sub>	000FFF38 <sub>H</sub>
Reserved for system	50	32	—	334 <sub>H</sub>	000FFF34 <sub>H</sub>
Reserved for system	51	33	—	330 <sub>H</sub>	000FFF30 <sub>H</sub>
Reserved for system	52	34	—	32C <sub>H</sub>	000FFF2C <sub>H</sub>
Reserved for system	53	35	—	328 <sub>H</sub>	000FFF28 <sub>H</sub>
Reserved for system	54	36	—	324 <sub>H</sub>	000FFF24 <sub>H</sub>
Reserved for system	55	37	—	320 <sub>H</sub>	000FFF20 <sub>H</sub>
Reserved for system	56	38	—	31C <sub>H</sub>	000FFF1C <sub>H</sub>
Reserved for system	57	39	—	318 <sub>H</sub>	000FFF18 <sub>H</sub>
Reserved for system	58	3A	—	314 <sub>H</sub>	000FFF14 <sub>H</sub>
Reserved for system	59	3B	—	310 <sub>H</sub>	000FFF10 <sub>H</sub>
Reserved for system	60	3C	—	30C <sub>H</sub>	000FFF0C <sub>H</sub>
Reserved for system	61	3D	—	308 <sub>H</sub>	000FFF08 <sub>H</sub>
Reserved for system	62	3E	—	304 <sub>H</sub>	000FFF04 <sub>H</sub>
Delayed interrupt cause bit	63	3F	ICR47	300 <sub>H</sub>	000FFF00 <sub>H</sub>

*(Continued)*

# MB91F109

(Continued)

Interrupt causes	Interrupt number		Interrupt level		TBR default address
	Decimal	Hexadecimal	Register	Offset	
Reserved for system (used in REALOS*)	64	40	—	2FC <sub>H</sub>	000FFEFC <sub>H</sub>
Reserved for system (used in REALOS*)	65	41	—	2F8 <sub>H</sub>	000FEF8 <sub>H</sub>
Used in INT instructions	66 to 255	42 to FF	—	2F4 <sub>H</sub> to 000 <sub>H</sub>	000FEF4 <sub>H</sub> to 000FFD00 <sub>H</sub>

\*: When using in REALOS/FR, interrupt 0x40, 0x41 for system code.

## ■ PERIPHERAL RESOURCES

### 1. I/O Ports

There are 2 types of I/O port register structure; port data register (PDR0 to PDRF) and data direction register (DDR0 to DDRF), where bits PDR0 to PDRF and bits DDR0 to DDRF corresponds respectively. Each bit on the register corresponds to an external pin. In port registers input/output register of the port configures input/output function of the port, while corresponding bit (pin) configures input/output function in data direction registers. Bit "0" specifies input and "1" specifies output.

- For input (DDR = "0") setting;  
PDR reading operation: reads level of corresponding external pin.  
PDR writing operation: writes set value to PDR.
- For output (DDR = "1") setting;  
PDR reading operation: reads PDR value.  
PDR writing operation: outputs PDR value to corresponding external pin.

#### (1) Register configuration

##### • Port data register

Address	bit 7	bit 0	Initial value	
000001H	PDR2		X X X X X X X B	(R/W)
000000H	PDR3		X X X X X X X B	(R/W)
000007H	PDR4		X X X X X X X B	(R/W)
000006H	PDR5		X X X X X X X B	(R/W)
000005H	PDR6		X X X X X X X B	(R/W)
000004H	PDR7		- - - - - X B	(R/W)
00000BH	PDR8		- - X X X X X B	(R/W)
000009H	PDRA		- X X X X X X B	(R/W)
000008H	PDRB		X X X X X X X B	(R/W)
000012H	PDRE		X X X X X X X B	(R/W)
000013H	PDRF		X X X X X X X B	(R/W)

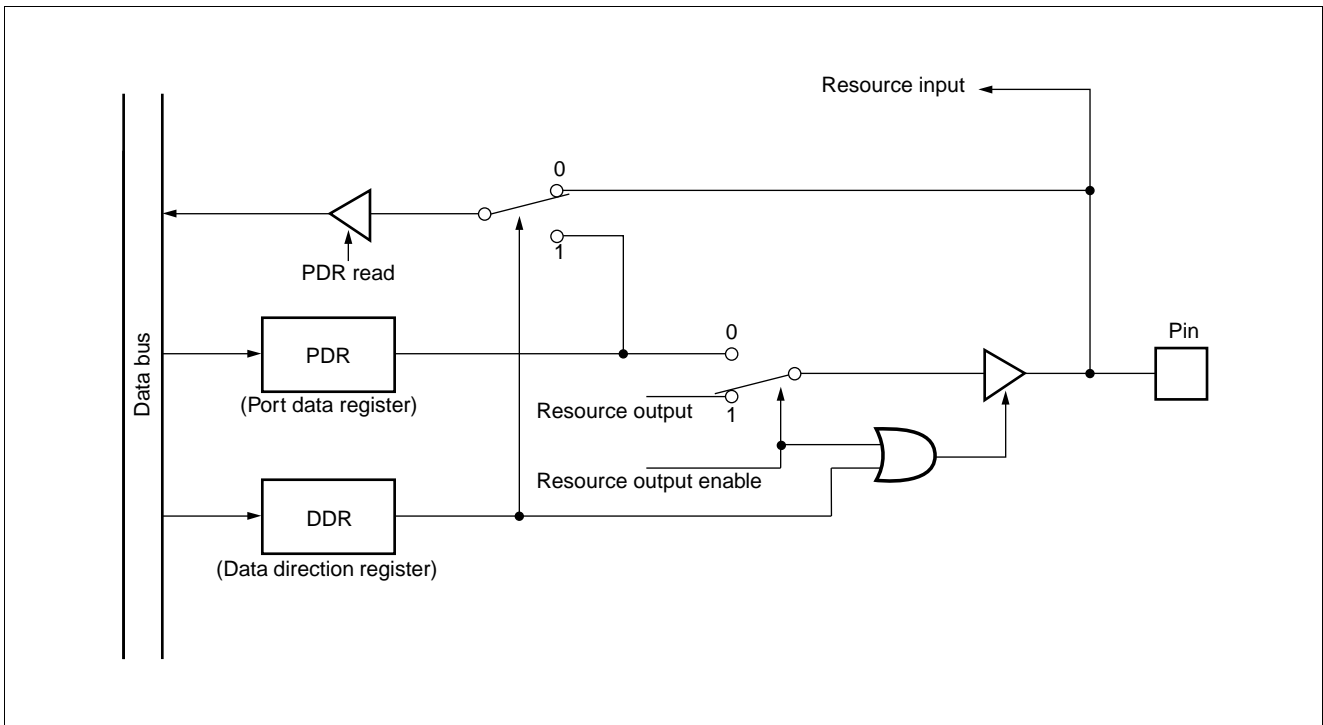
( ) : Access  
R/W : Readable and writable  
X : Indeterminate

## • Data direction register

Address	bit 7	bit 0	Initial value
000601H	DDR2		0 0 0 0 0 0 0 0 B (W)
000600H	DDR3		0 0 0 0 0 0 0 0 B (W)
000607H	DDR4		0 0 0 0 0 0 0 0 B (W)
000606H	DDR5		0 0 0 0 0 0 0 0 B (W)
000605H	DDR6		0 0 0 0 0 0 0 0 B (W)
000604H	DDR7		- - - - - 0 B (W)
00060BH	DDR8		- - 0 0 0 0 0 0 B (W)
000609H	DDRA		- 0 0 0 0 0 0 0 B (W)
000608H	DDRB		0 0 0 0 0 0 0 0 B (W)
0000D2H	DDRE		0 0 0 0 0 0 0 0 B (W)
0000D3H	DDRF		0 0 0 0 0 0 0 0 B (W)

( ) : Access  
W : Write only  
- : Unused

## (2) Block diagram



## 2. DMA Controller (DMAC)

The DMA controller is a module embedded in FR family devices, and performs DMA (direct memory access) transfer.

DMA transfer performed by the DMA controller transfers data without intervention of CPU, contributing to enhanced performance of the system.

- 8 channels
- Mode: single/block transfer, burst transfer and continuous transfer: 3 kinds of transfer
- Transfer all through the area
- Max. 65536 of transfer cycles
- Interrupt function right after the transfer
- Selectable for address transfer increase/decrease by the software
- External transfer request input pin, external transfer request accept output pin, external transfer complete output pin three pins for each

### (1) Registers configuration

#### • DMAC internal registers

##### • DMAC parameter descriptor pointer

Address	bit 31	bit 0	Initial value	
00000200H	DPDP		XXXXXXXXXB	(R/W)
			XXXXXXXXXB	
			XXXXXXXXXB	
			X0000000B	

##### • DMAC control status register

Address	bit 31	bit 0	Initial value	
00000204H	DACSR		00000000B	(R/W)
			00000000B	
			00000000B	
			00000000B	

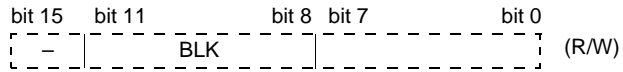
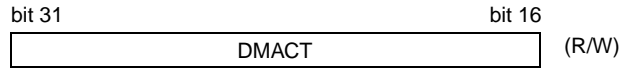
##### • DMAC pin control register

Address	bit 31	bit 0	Initial value	
00000208H	DATCR		XXXXXXXXXB	(R/W)
			XX000000B	
			XX000000B	
			XX000000B	

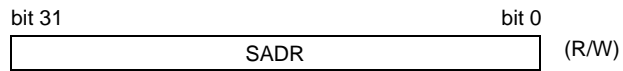
( ) : Access  
 R/W : Readable and writable  
 X : Indeterminate

- DMAC descriptor

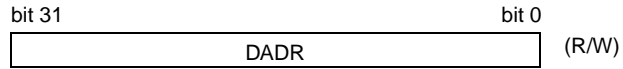
- The first word of descriptor



- The second word of descriptor



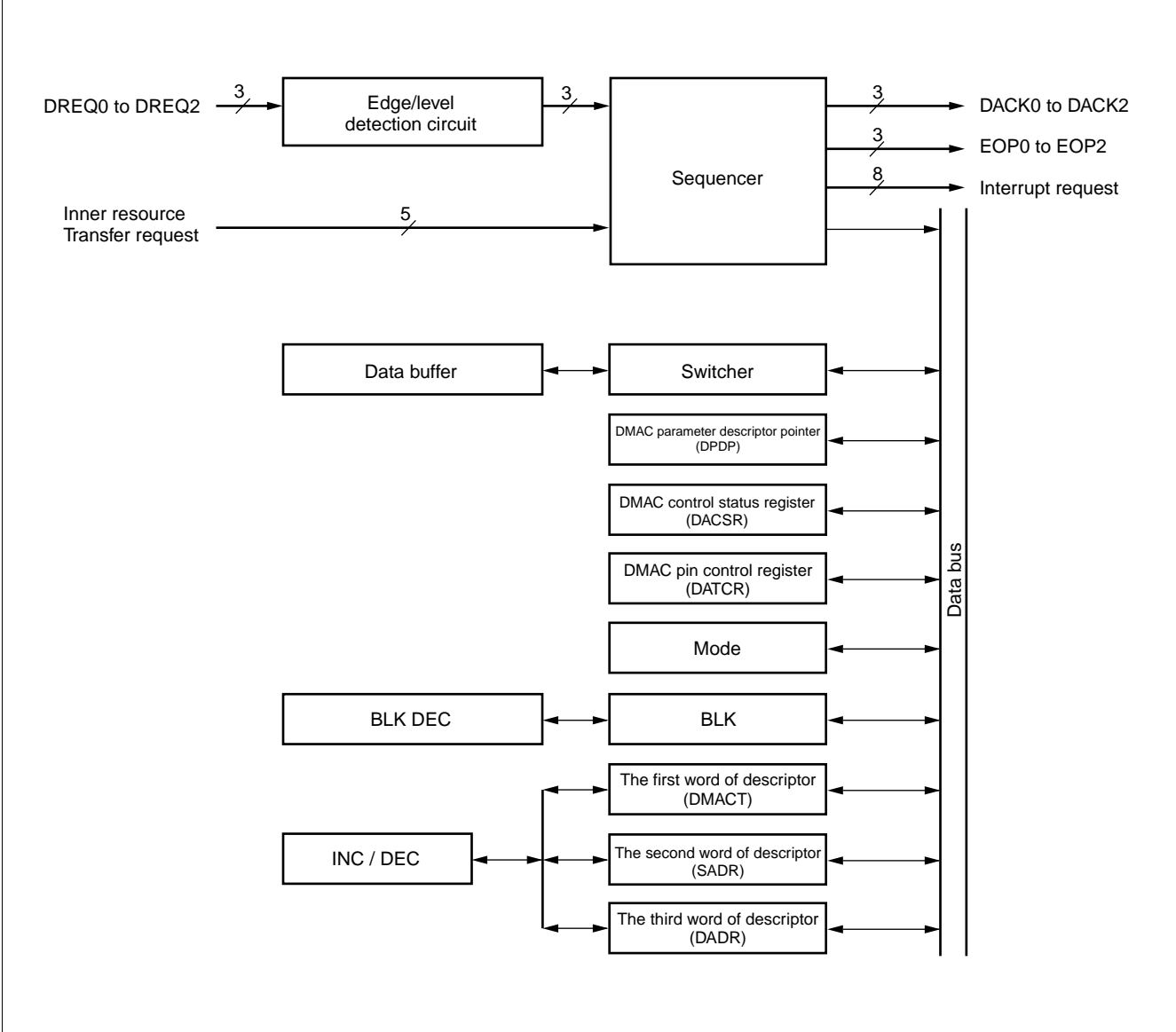
- The third word of descriptor



R/W: Readable and writable



(2) Block diagram



# MB91F109

## 3. UART

The UART is a serial I/O port for supporting asynchronous (start-stop system) communication or CLK synchronous communication, and it has the following features.

The MB91F109 consists of 3 channels of UART.

- Full double double buffer
- Both a synchronous (start-stop system) communication and CLK synchronous communication are available.
- Supporting multi-processor mode
- Perfect programmable baud rate

Any baud rate can be set by internal timer (refer to section “4. U-TIMER”).

- Any baud rate can be set by external clock.
- Error checking function (parity, framing and overrun)
- Transfer signal: NRZ code
- Enable DMA transfer/start by interrupt.

### (1) Register configuration

- Serial control register 0 to 2

Address	bit 15	bit 8	bit 7	bit 0	Initial value
SCR0 : 00001E <sub>H</sub>	<div style="border: 1px solid black; padding: 2px; display: inline-block;">SCR0 to SCR2</div> <span style="margin-left: 20px;">(SMR)</span>				0 0 0 0 1 0 0 <sub>B</sub> (R/W)
SCR1 : 000022 <sub>H</sub>					
SCR2 : 000026 <sub>H</sub>					

- Serial model register 0 to 2

Address	bit 15	bit 8	bit 7	bit 0	Initial value
SMR0 : 00001F <sub>H</sub>	<div style="border: 1px solid black; padding: 2px; display: inline-block;">(SCR)</div> <span style="margin-left: 20px;">SMR0 to SMR2</span>				0 0 - - 0 - 0 0 <sub>B</sub> (R/W)
SMR1 : 000023 <sub>H</sub>					
SMR2 : 000027 <sub>H</sub>					

- Serial status register 0 to 2

Address	bit 15	bit 8	bit 7	bit 0	Initial value
SSR0 : 00001C <sub>H</sub>	<div style="border: 1px solid black; padding: 2px; display: inline-block;">SSR0 to SSR2</div> <span style="margin-left: 20px;">(SIDR)</span>				0 0 0 0 1 - 0 0 <sub>B</sub> (R/W)
SSR1 : 000020 <sub>H</sub>					
SSR2 : 000024 <sub>H</sub>					

- Serial input data register 0 to 2

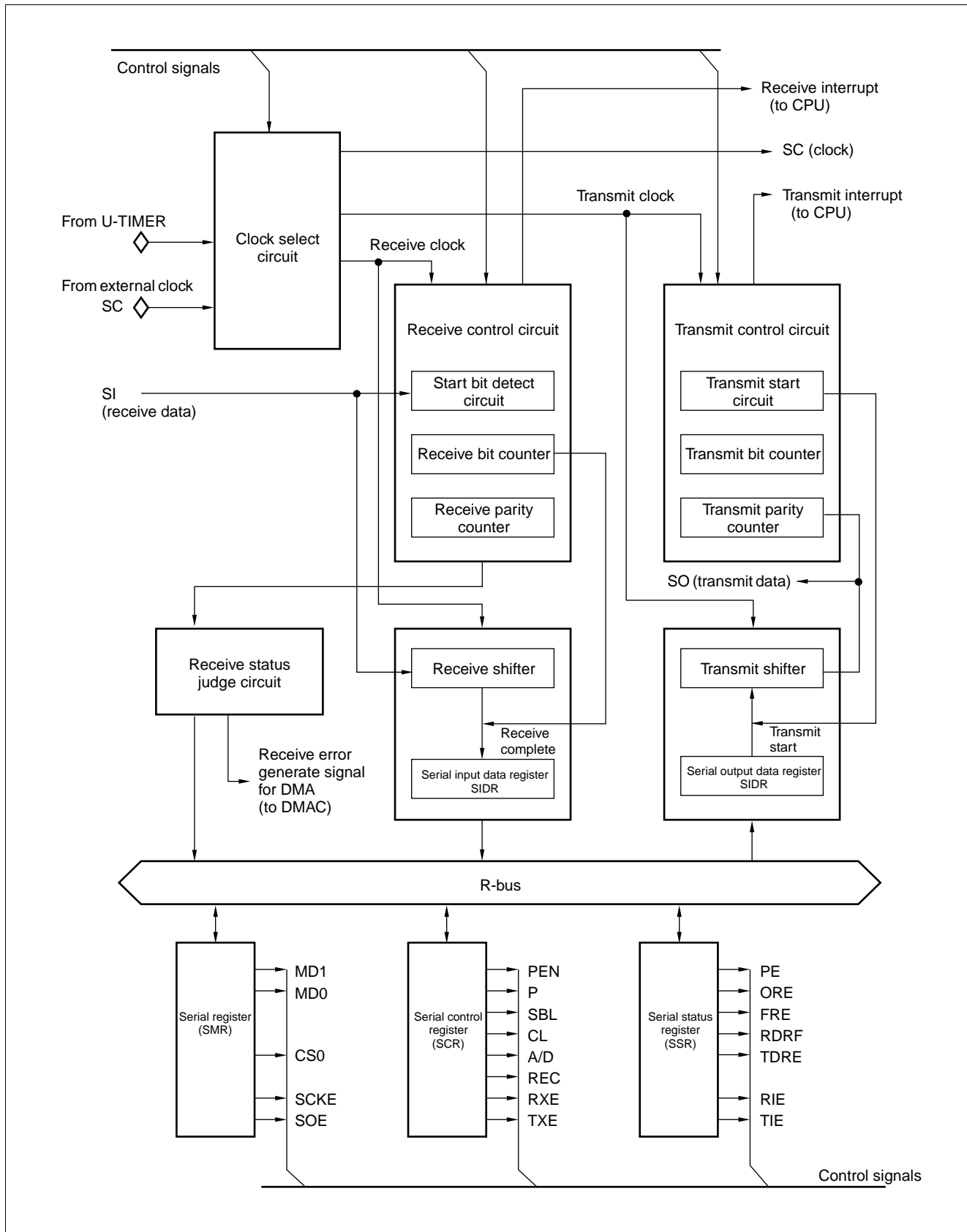
Address	bit 15	bit 8	bit 7	bit 0	Initial value
SIDR0 : 00001D <sub>H</sub>	<div style="border: 1px solid black; padding: 2px; display: inline-block;">(SSR)</div> <span style="margin-left: 20px;">SIDR0 to SIDR2</span>				X X X X X X X X <sub>B</sub> (R)
SIDR1 : 000021 <sub>H</sub>					
SIDR2 : 000025 <sub>H</sub>					

- Serial output data register 0 to 2

Address	bit 15	bit 8	bit 7	bit 0	Initial value
SODR0 : 00001D <sub>H</sub>	<div style="border: 1px solid black; padding: 2px; display: inline-block;">(SSR)</div> <span style="margin-left: 20px;">SODR0 to SODR2</span>				X X X X X X X X <sub>B</sub> (W)
SODR1 : 000021 <sub>H</sub>					
SODR2 : 000025 <sub>H</sub>					

( ) : Access  
 R/W : Readable and writable  
 - : Unused  
 X : Indeterminate

## (2) Block diagram



## 4. U-TIMER (16-bit Timer for UART Baud Rate Generation)

The U-TIMER is a 16-bit timer for generating UART baud rate. Combination of chip operating frequency and reload value of U-TIMER allows flexible setting of baud rate.

The U-TIMER operates as an interval timer by using interrupt issued on counter underflow.

The MB91F109 has 3 channel U-TIMER embedded on the chip. When used as an interval timer, two couple of U-TIMER (ch0, ch1) can be cascaded and an interval of up to  $2^{32} \times \phi$  can be counted.

### (1) Register configuration

- U-TIMER register ch.0 to ch.2

Address	bit 15	bit 0	Initial value
UTIM0 : 00000078 <sub>H</sub>	UTIM0 to UTIM2		0 0 0 0 0 0 0 0 <sub>B</sub> (R)
UTIM1 : 0000007C <sub>H</sub>			0 0 0 0 0 0 0 0 <sub>B</sub>
UTIM2 : 00000080 <sub>H</sub>			

- U-TIMER reload register ch.0 to ch.2

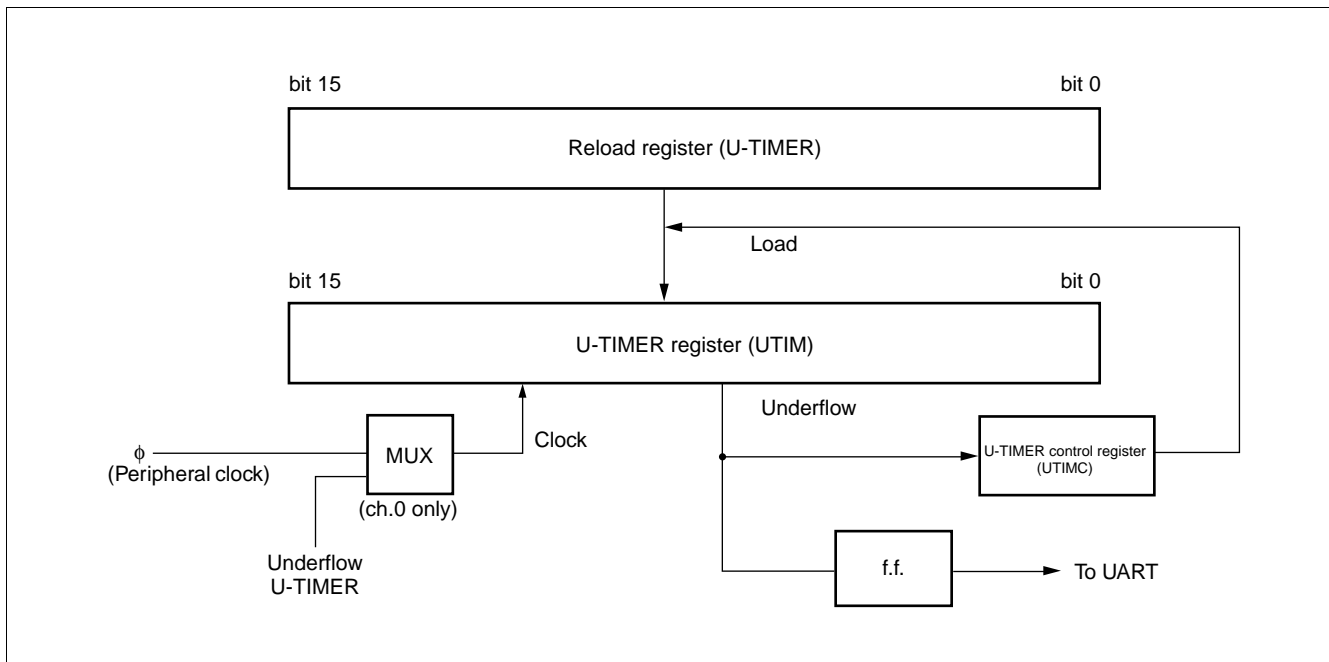
Address	bit 15	bit 0	Initial value
UTIMR0 : 00000078 <sub>H</sub>	UTIMR0 to UTIMR2		0 0 0 0 0 0 0 0 <sub>B</sub> (W)
UTIMR1 : 0000007C <sub>H</sub>			0 0 0 0 0 0 0 0 <sub>B</sub>
UTIMR2 : 00000080 <sub>H</sub>			

- U-TIMER control register ch.0 to ch.2

Address	bit 15	bit 8	bit 7	bit 0	Initial value
UTIMC0 : 0000007B <sub>H</sub>	(Vacancy)		UTIMC0 to UTIMC2		0 - - 0 0 0 0 1 <sub>B</sub> (R/W)
UTIMC1 : 0000007F <sub>H</sub>					
UTIMC2 : 00000083 <sub>H</sub>					

( ) : Access  
 R/W : Readable and writable  
 - : Unused

### (2) Block diagram



## 5. PWM Timer

The PWM timer can output high accurate PWM waves efficiently.

MB91F109 has inner 4-channel PWM timers, and has the following features.

- Each channel consists of a 16-bit down counter, a 16-bit data register with a buffer for cycle setting, a 16-bit compare register with a buffer for duty setting, and a pin controller.
- The count clock of a 16-bit down counter can be selected from the following four inner clocks.  
Inner clock  $\phi$ ,  $\phi/4$ ,  $\phi/16$ ,  $\phi/64$
- The counter value can be initialized “FFFF<sub>H</sub>” by the resetting or the counter borrow.
- PWM output (each channel)

## (1) Register configuration

- Control status register H0 to 3

Address	bit 15	bit 8	bit 7	bit 0	Initial value
PCNH0 : 0000E6 <sub>H</sub>	PCNH0 to PCNH3			(PCNL)	0 0 0 0 0 0 0 - <sub>B</sub> (R/W)
PCNH1 : 0000EE <sub>H</sub>					
PCNH2 : 0000F6 <sub>H</sub>					
PCNH3 : 0000FE <sub>H</sub>					

- Control status register L0 to 3

Address	bit 15	bit 0	Initial value
PCNL0 : 0000E7 <sub>H</sub>	(PCNH)	PCNL0 to PCNL3	0 0 0 0 0 0 0 0 <sub>B</sub> (R/W)
PCNL1 : 0000EF <sub>H</sub>			
PCNL2 : 0000F7 <sub>H</sub>			
PCNL3 : 0000FF <sub>H</sub>			

- PWM cycle setting register 0 to 3

Address	bit 15	bit 0	Initial value
PCSR0 : 0000E2 <sub>H</sub>	PCSR0 to PCSR3		X X X X X X X X <sub>B</sub> (W)
PCSR1 : 0000EA <sub>H</sub>			X X X X X X X X <sub>B</sub> (W)
PCSR2 : 0000F2 <sub>H</sub>			
PCSR3 : 0000FA <sub>H</sub>			

- PWM duty setting register 0 to 3

Address	bit 15	bit 0	Initial value
PDUT0 : 0000E4 <sub>H</sub>	PDUT0 to PDUT3		X X X X X X X X <sub>B</sub> (W)
PDUT1 : 0000EC <sub>H</sub>			X X X X X X X X <sub>B</sub> (W)
PDUT2 : 0000F4 <sub>H</sub>			
PDUT3 : 0000FC <sub>H</sub>			

- PWM timer register 0 to 3

Address	bit 15	bit 0	Initial value
PTMR0 : 0000E0 <sub>H</sub>	PTMR0 to PTMR3		1 1 1 1 1 1 1 1 <sub>B</sub> (R)
PTMR1 : 0000E8 <sub>H</sub>			1 1 1 1 1 1 1 1 <sub>B</sub> (R)
PTMR2 : 0000F0 <sub>H</sub>			
PTMR3 : 0000F8 <sub>H</sub>			

- General control register 1, 2

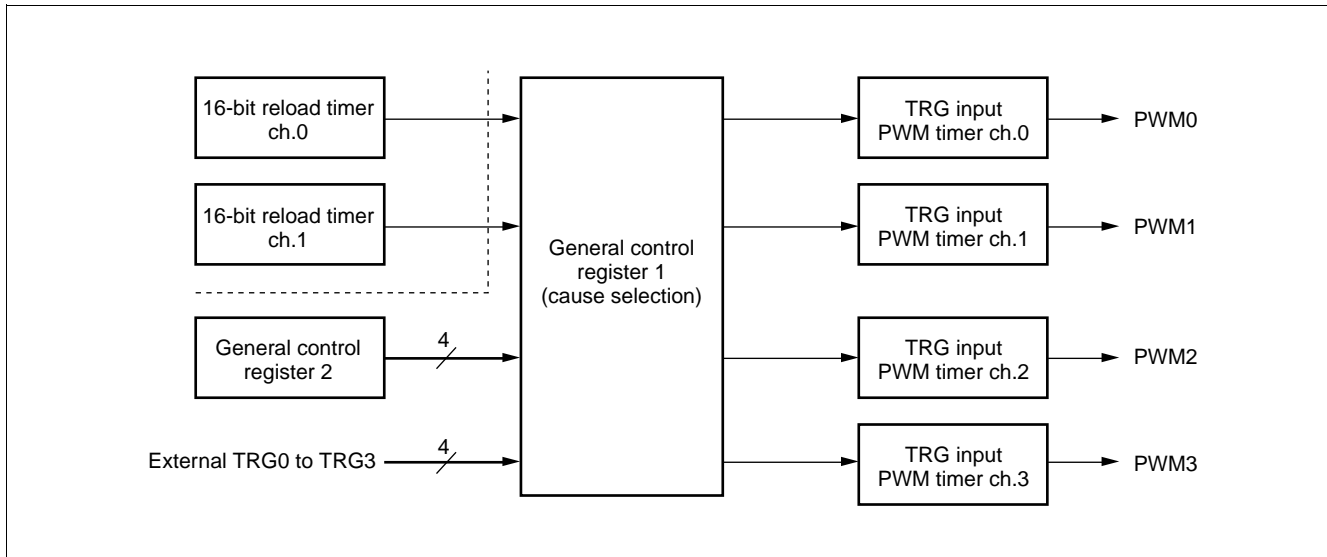
Address	bit 15	bit 0	Initial value
GCN1 : 0000DC <sub>H</sub>	GCN1		0 0 1 1 0 0 1 0 <sub>B</sub> (R/W)
			0 0 0 1 0 0 0 0 <sub>B</sub> (R/W)

Address	bit 15	bit 8	bit 7	bit 0	Initial value
GCN1 : 0000DF <sub>H</sub>	(Vacancy)	GCN2			0 0 0 0 0 0 0 0 <sub>B</sub> (R/W)

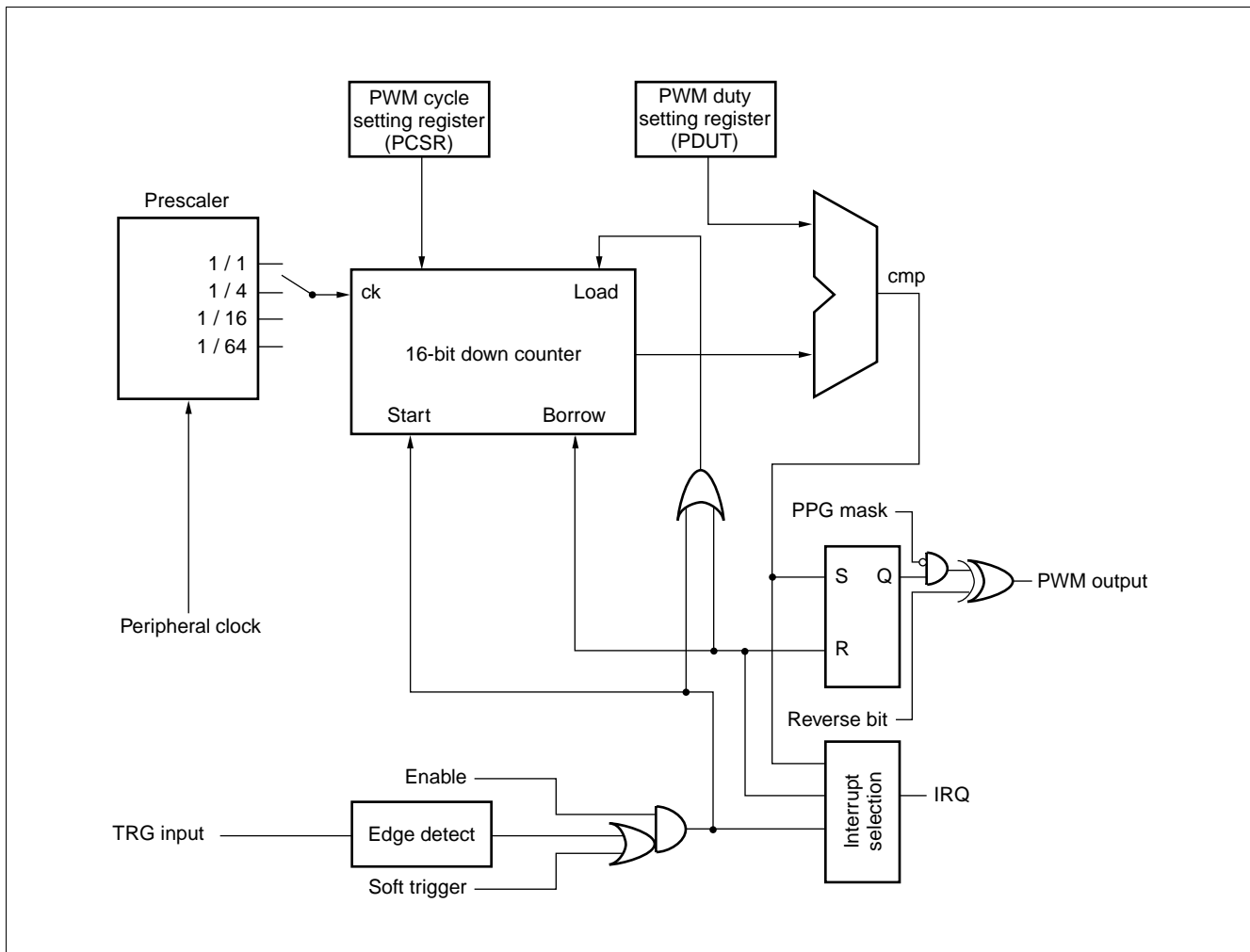
( ) : Access  
 R/W : Readable and writable  
 R : Read only  
 W : Write only  
 - : Unused  
 X : Indeterminate

## (2) Block diagram

### • Block diagram (general construction)



### • Block diagram (for one channel)



## 6. 16-bit Reload Timer

The 16-bit reload timer consists of a 16-bit down counter, a 16-bit reload timer, a prescaler for generating internal count clock and control registers.

Internal clock can be selected from 3 types of internal clocks (divided by 2/8/32 of machine clock).

The DMA transfer can be started by the interruption.

The MB91F109 consists of 3 channels of the 16-bit reload timer.

### (1) Register configuration

- 16-bit reload timer control status register 0 to 2

Address	bit 15	bit 0	Initial value
TMCSR0 : 00002EH	TMCSR0 to TMCSR2		- - - 0 0 0 0 <sub>B</sub> (R/W)
TMCSR1 : 000036H			0 0 0 0 0 0 0 0 <sub>B</sub>
TMCSR2 : 000042H			

- 16-bit timer register 0 to 2

Address	bit 15	bit 0	Initial value
TMR0 : 00002AH	TMR0 to TMR2		X X X X X X X X <sub>B</sub> (R)
TMR1 : 000032H			X X X X X X X X <sub>B</sub>
TMR2 : 00003EH			

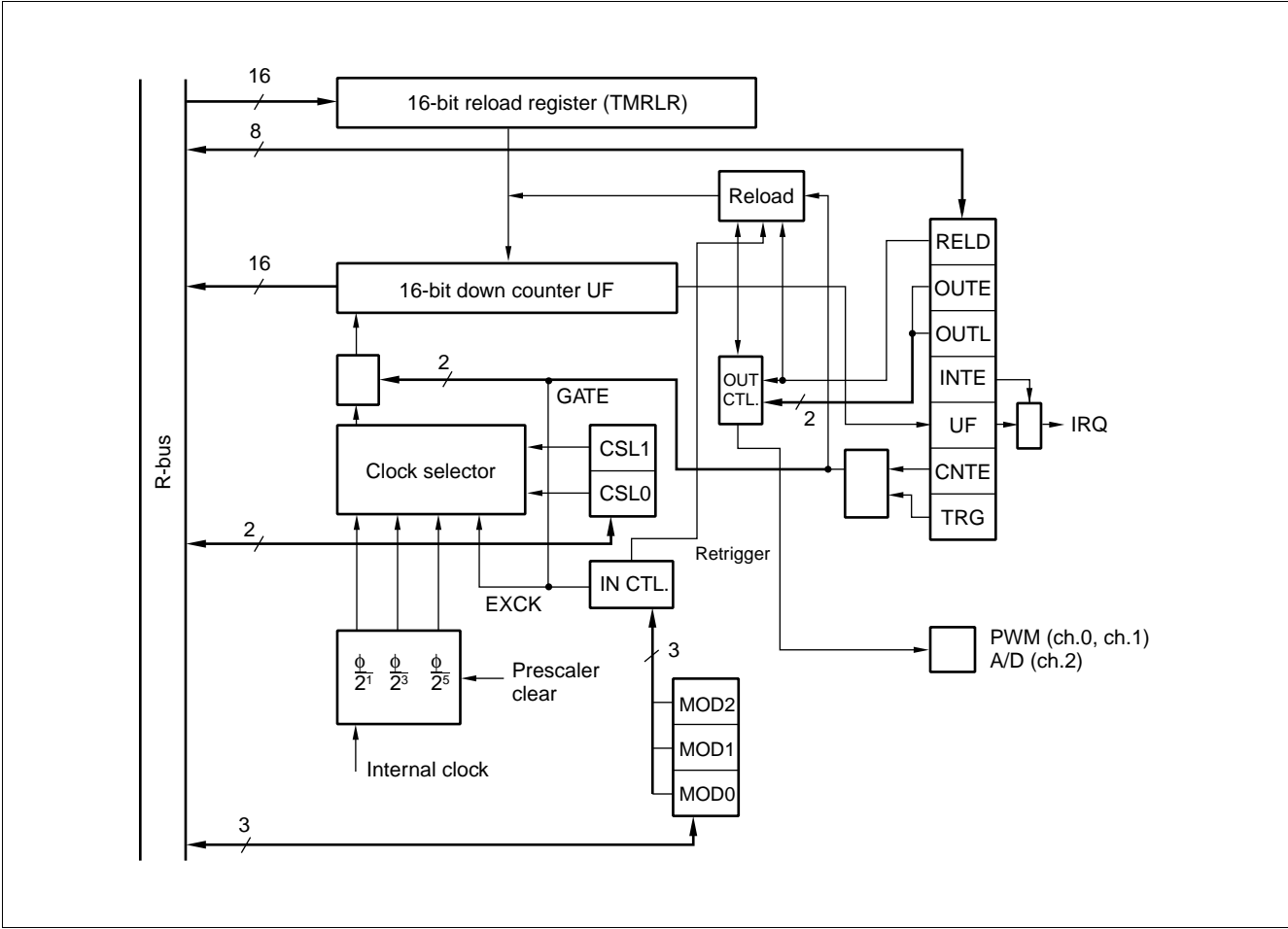
- 16-bit reload register 0 to 2

Address	bit 15	bit 0	Initial value
TMRLR0 : 000028H	TMRLR0 to TMRLR2		X X X X X X X X <sub>B</sub> (W)
TMRLR1 : 000030H			X X X X X X X X <sub>B</sub>
TMRLR2 : 00003CH			

( ) : Access  
 R/W : Readable and writable  
 R : Read Only  
 W : Write Only  
 - : Unused  
 X : Indeterminate



(2) Block diagram



## 7. Bit Search Module

The bit search module detects transitions of data (0 to 1/1 to 0) on the data written on the input registers and returns locations of the transitions.

### (1) Register configuration

- Bit search module 0, 1-detection data register**

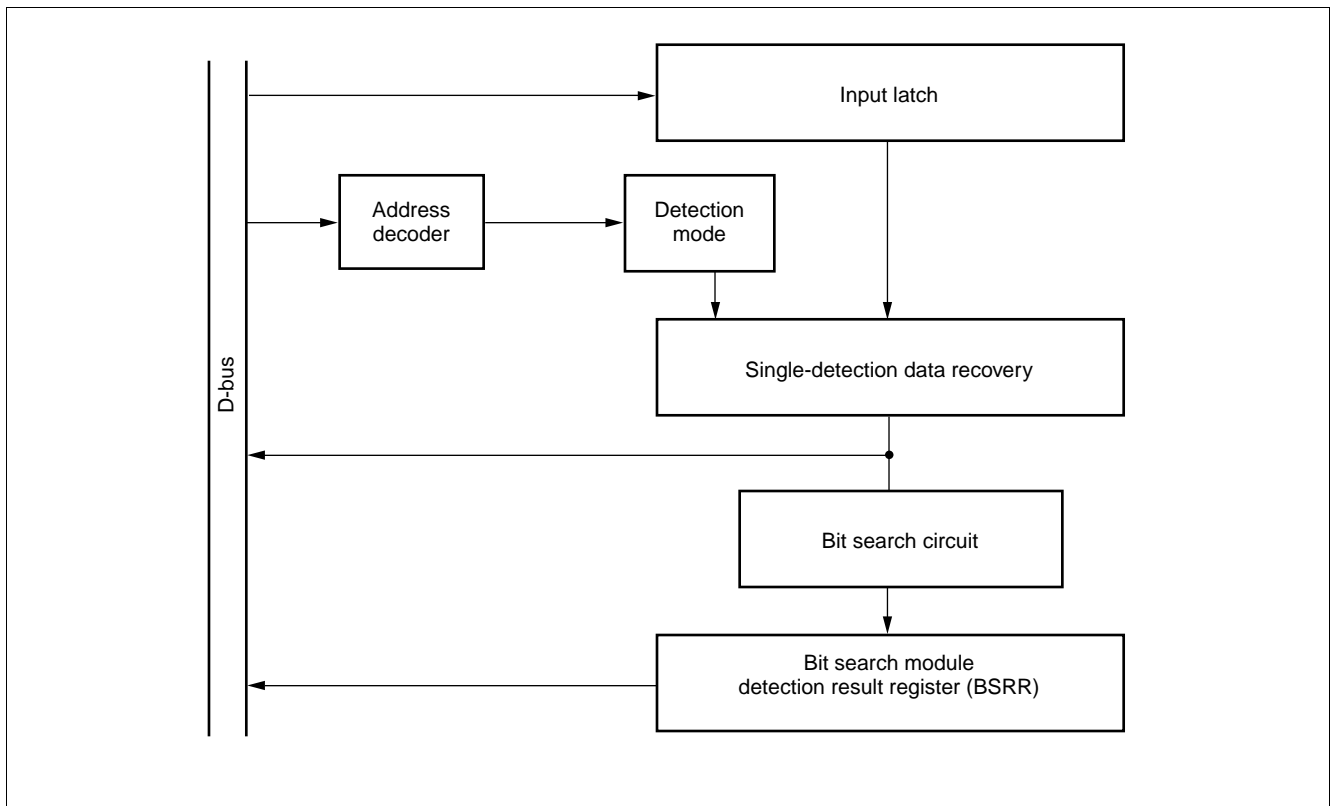
	Address	bit 31		bit 0		
BSD0 : 000003F0 <sub>H</sub>	BSD0, BSD1					Initial value X X X X X X X X <sub>B</sub> X X X X X X X X <sub>B</sub> (R/W) X X X X X X X X <sub>B</sub> X X X X X X X X <sub>B</sub>
BSD1 : 000003F4 <sub>H</sub>						
  
- Bit search module transition-detection data register**

	Address	bit 31		bit 0		
000003F8 <sub>H</sub>	BSDC					Initial value X X X X X X X X <sub>B</sub> X X X X X X X X <sub>B</sub> (W) X X X X X X X X <sub>B</sub> X X X X X X X X <sub>B</sub>
  
- Bit search module detection result register**

	Address	bit 31		bit 0		
000003FC <sub>H</sub>	BSRR					Initial value X X X X X X X X <sub>B</sub> X X X X X X X X <sub>B</sub> (R) X X X X X X X X <sub>B</sub> X X X X X X X X <sub>B</sub>

( ) : Access  
 R/W : Readable and writable  
 R : Read only  
 W : Write only  
 X : Indeterminate

### (2) Block diagram



## 8. 10-bit A/D Converter (Successive Approximation Conversion Type)

The A/D converter is the module which converts an analog input voltage to a digital value, and it has following features.

- Minimum converting time: 5.6  $\mu$ s/ch. (system clock: 25 MHz)
- Inner sample and hold circuit
- Resolution: 10 bits
- Analog input can be selected from 4 channels by program.
  - Single convert mode: 1 channel is selected and converted.
  - Scan convert mode: Converting continuous channels. Maximum 4 channels are programmable.
  - Continuous convert mode: Converting the specified channel repeatedly.
  - Stop convert mode: After converting one channel then stop and wait till next activation synchronizing at the beginning of conversion can be performed.
- DMA transfer operation is available by interruption.
- Operating factor can be selected from the software, the external trigger (falling edge), and 16-bit reload timer (rising edge).

### (1) Register configuration

- A/D converter control status register

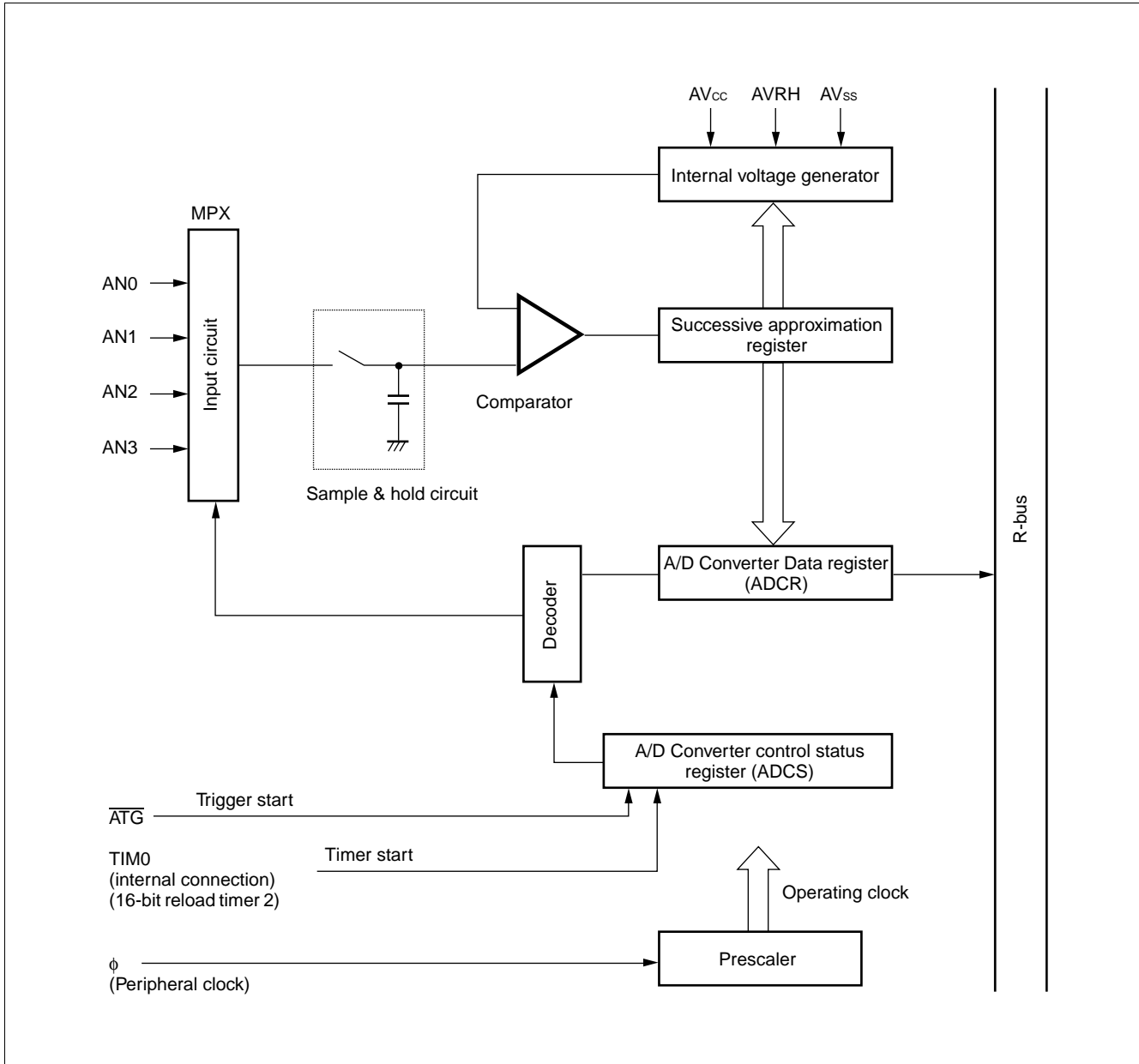
Address	bit 15	bit 0	Initial value
0000003A <sub>H</sub>	ADCS		0 0 0 0 0 0 0 0 <sub>B</sub> (R/W) 0 0 0 0 0 0 0 0 <sub>B</sub>

- A/D converter data register

Address	bit 15	bit 0	Initial value
00000038 <sub>H</sub>	ADCR		0 0 0 0 0 X X <sub>B</sub> (R) X X X X X X X X <sub>B</sub>

( ) : Access  
 R/W : Readable and writable  
 R : Read only  
 X : Indeterminate

## (2) Block diagram



## 9. Interrupt Controller

The interrupt controller processes interrupt acknowledgments and arbitration between interrupts.

- Hardware Configuration
  - Interrupt controller is configured by ICR resistor, interrupt priority decision circuit, interrupt level, vector generation and HLDREQ cancel request, and has the following functions.
- Main Functions
  - NMI request/Interrupt request detection
  - Priority (judgement) decision (via level and vector)
  - Transfer of judged interrupt level to CPU
  - Transfer of judged interrupt vector to CPU
  - Return instruction from the stop mode via NMI/interrupt
  - Generation of HOLD request cancel request to the bus timer

## (1) Register configuration

- Interrupt control register 0 to 31, 47

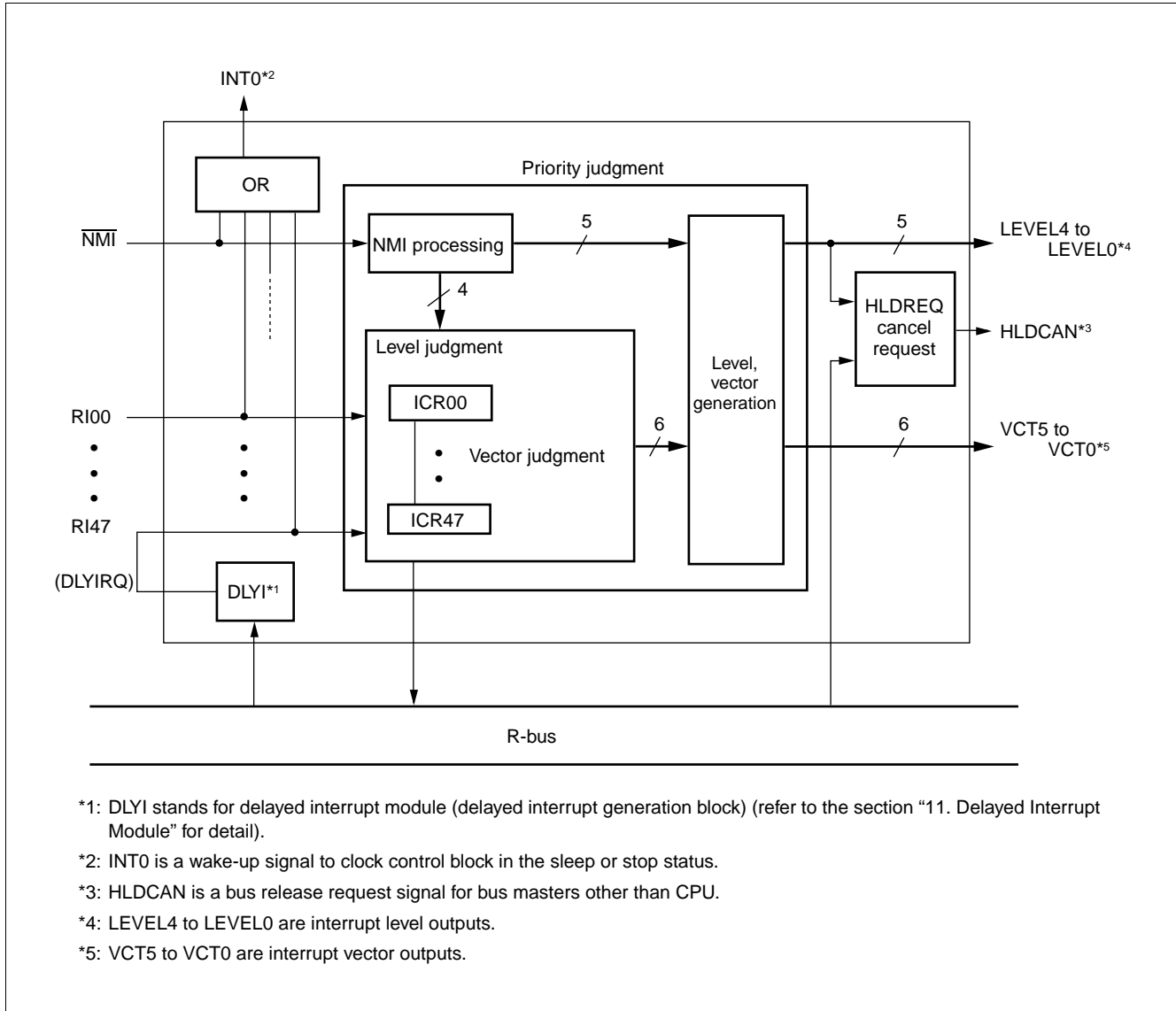
Address	bit 7	bit 0	Initial value	Address	bit 7	bit 0	Initial value
00000400 <sub>H</sub>	ICR00		--- 11111 <sub>B</sub> (R/W)	00000411 <sub>H</sub>	ICR17		--- 11111 <sub>B</sub> (R/W)
00000401 <sub>H</sub>	ICR01		--- 11111 <sub>B</sub> (R/W)	00000412 <sub>H</sub>	ICR18		--- 11111 <sub>B</sub> (R/W)
00000402 <sub>H</sub>	ICR02		--- 11111 <sub>B</sub> (R/W)	00000413 <sub>H</sub>	ICR19		--- 11111 <sub>B</sub> (R/W)
00000403 <sub>H</sub>	ICR03		--- 11111 <sub>B</sub> (R/W)	00000414 <sub>H</sub>	ICR20		--- 11111 <sub>B</sub> (R/W)
00000404 <sub>H</sub>	ICR04		--- 11111 <sub>B</sub> (R/W)	00000415 <sub>H</sub>	ICR21		--- 11111 <sub>B</sub> (R/W)
00000405 <sub>H</sub>	ICR05		--- 11111 <sub>B</sub> (R/W)	00000416 <sub>H</sub>	ICR22		--- 11111 <sub>B</sub> (R/W)
00000406 <sub>H</sub>	ICR06		--- 11111 <sub>B</sub> (R/W)	00000417 <sub>H</sub>	ICR23		--- 11111 <sub>B</sub> (R/W)
00000407 <sub>H</sub>	ICR07		--- 11111 <sub>B</sub> (R/W)	00000418 <sub>H</sub>	ICR24		--- 11111 <sub>B</sub> (R/W)
00000408 <sub>H</sub>	ICR08		--- 11111 <sub>B</sub> (R/W)	00000419 <sub>H</sub>	ICR25		--- 11111 <sub>B</sub> (R/W)
00000409 <sub>H</sub>	ICR09		--- 11111 <sub>B</sub> (R/W)	0000041A <sub>H</sub>	ICR26		--- 11111 <sub>B</sub> (R/W)
0000040A <sub>H</sub>	ICR10		--- 11111 <sub>B</sub> (R/W)	0000041B <sub>H</sub>	ICR27		--- 11111 <sub>B</sub> (R/W)
0000040B <sub>H</sub>	ICR11		--- 11111 <sub>B</sub> (R/W)	0000041C <sub>H</sub>	ICR28		--- 11111 <sub>B</sub> (R/W)
0000040C <sub>H</sub>	ICR12		--- 11111 <sub>B</sub> (R/W)	0000041D <sub>H</sub>	ICR29		--- 11111 <sub>B</sub> (R/W)
0000040D <sub>H</sub>	ICR13		--- 11111 <sub>B</sub> (R/W)	0000041E <sub>H</sub>	ICR30		--- 11111 <sub>B</sub> (R/W)
0000040E <sub>H</sub>	ICR14		--- 11111 <sub>B</sub> (R/W)	0000041F <sub>H</sub>	ICR31		--- 11111 <sub>B</sub> (R/W)
0000040F <sub>H</sub>	ICR15		--- 11111 <sub>B</sub> (R/W)	0000042F <sub>H</sub>	ICR47		--- 11111 <sub>B</sub> (R/W)
00000410 <sub>H</sub>	ICR16		--- 11111 <sub>B</sub> (R/W)				

- Hold request cancel request level setting register

Address	bit 7	bit 0	Initial value
00000431 <sub>H</sub>	HRCL		--- 11111 <sub>B</sub> (R/W)

( ) : Access  
 R/W : Readable and writable  
 - : Unused

## (2) Block diagram



## 10. External Interrupt/NMI Control Block

The external interrupt/NMI control block controls external interrupt request signals input to  $\overline{\text{NMI}}$  pin and INT0 to INT3 pins.

Detecting levels can be selected from "H", "L", rising edge and falling edge (not for  $\overline{\text{NMI}}$  pin).

### (1) Register configuration

- Interrupt enable register

Address	bit 15	bit 7	bit 0	Initial value
00000095 <sub>H</sub>	(EIRR)		ENIR	0 0 0 0 0 0 0 <sub>B</sub> (R/W)

- External interrupt cause register

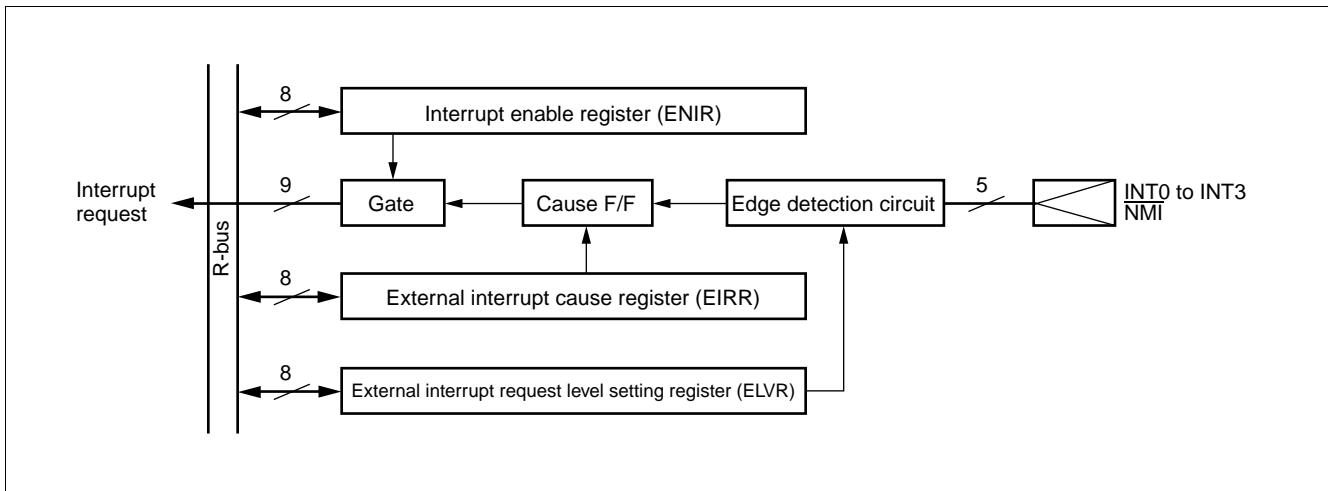
Address	bit 15	bit 8	bit 0	Initial value
00000094 <sub>H</sub>	EIRR		(ENIR)	0 0 0 0 0 0 0 <sub>B</sub> (R/W)

- External interrupt request level setting register

Address	bit 15	bit 0	Initial value
00000099 <sub>H</sub>	ELVR		0 0 0 0 0 0 0 <sub>B</sub> (R/W)

( ) : Access  
R/W : Readable and writable

### (2) Block diagram





11. Delayed Interrupt Module

Delayed interrupt module is a module which generates a interrupt for changing a task. By using this delayed interrupt module, an interrupt request to CPU can be generated/cancelled by the software.

Refer to the section "9. Interrupt Controller" for delayed interrupt module block diagram.

• Register configuration

• Delayed interrupt control register

Address	bit 7	bit 0	Initial value
00000430H	DICR		- - - - - 0 <sub>B</sub> (R/W)

- ( ) : Access
- R/W : Readable and writable
- : Unused

## 12. Clock Generation (Low-power consumption mechanism)

The clock control block is a module which undertakes the following functions.

- CPU clock generation (including gear function)
- Peripheral clock generation (including gear function)
- Reset generation and cause hold
- Standby function
- DMA request prohibit
- PLL (multiplier circuit) embedded

### (1) Register configuration

- Reset cause register/watchdog cycle control register

Address	bit 15	bit 10	bit 9	bit 8	bit 0	Initial value
00000480 <sub>H</sub>	RSRR		WTCR		(STCR)	1 X X X X - 0 0 <sub>B</sub> (R/W)

- Standby control register

Address	bit 15	bit 7	bit 0	Initial value
00000481 <sub>H</sub>	(RSRR/WTCR)		STCR	0 0 0 1 1 1 - - <sub>B</sub> (R/W)

- DMA controller request squelch register

Address	bit 15	bit 8	bit 0	Initial value
00000482 <sub>H</sub>	PDRR		(CTBR)	- - - - 0 0 0 0 <sub>B</sub> (R/W)

- Timebase timer clear register

Address	bit 15	bit 7	bit 0	Initial value
00000483 <sub>H</sub>	(PDRR)		CTBR	X X X X X X X X <sub>B</sub> (W)

- Gear control register

Address	bit 15	bit 8	bit 0	Initial value
00000484 <sub>H</sub>	GCR		(WPR)	1 1 0 0 1 1 - 1 <sub>B</sub> (R/W)

- Watchdog reset occurrence postpone register

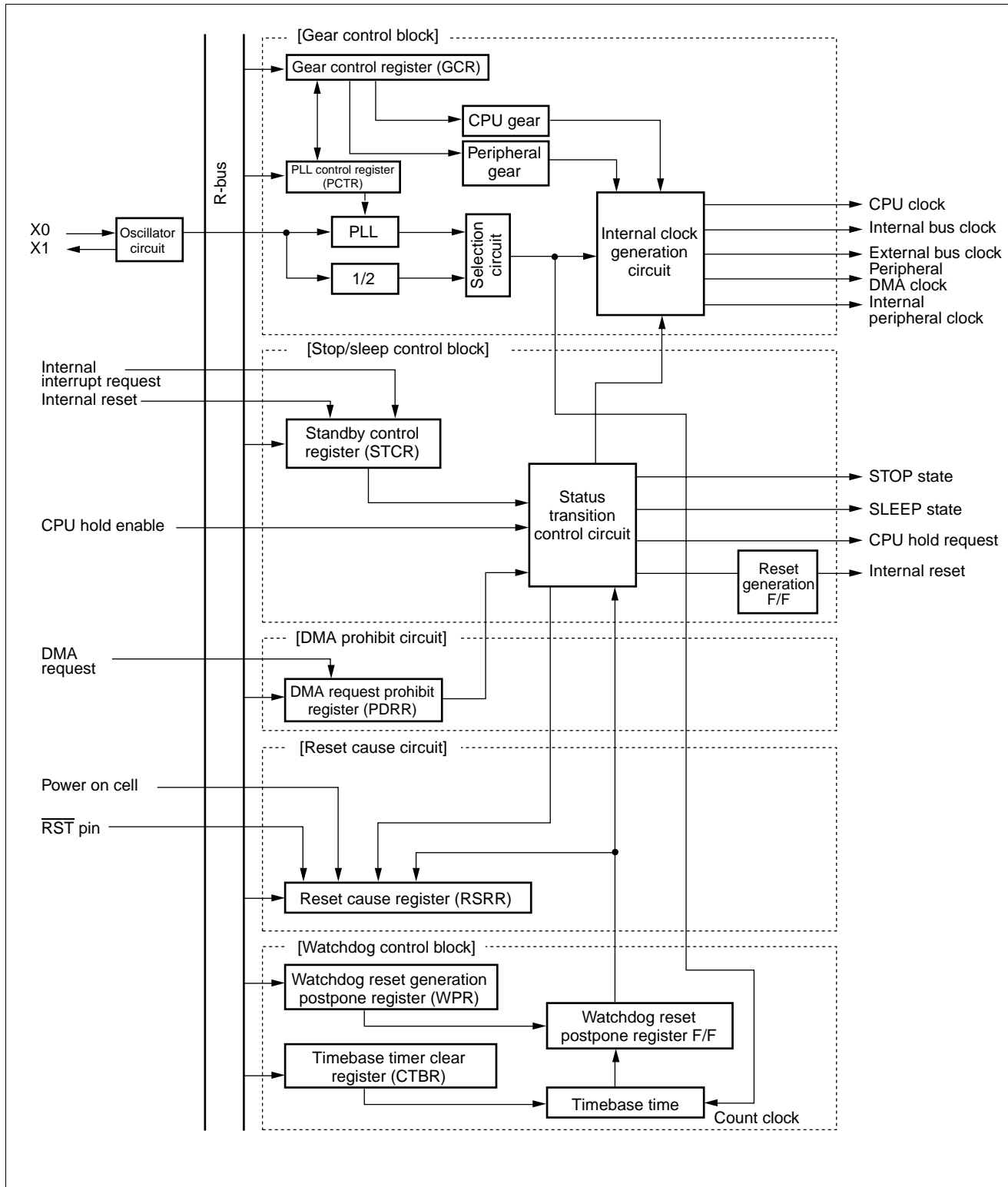
Address	bit 15	bit 7	bit 0	Initial value
00000485 <sub>H</sub>	(GCR)		WPR	X X X X X X X X <sub>B</sub> (W)

- PLL control register

Address	bit 15	bit 8	bit 0	Initial value
00000488 <sub>H</sub>	PCTR		(Vacancy)	0 0 - - 0 - - - <sub>B</sub> (R/W)

( ) : Access  
 R/W : Readable and writable  
 R : Read Only  
 W : Write Only  
 - : Unused  
 X : Indeterminate

## (2) Block diagram



## 13. External Bus Interface

The external bus interface controls the interface between the device and the external memory and also the external I/O, and has the following features.

- 25-bit (32 Mbytes) address output
- 6 independent banks owing to the chip select function.
  - Can be set to anywhere on the logical address space for minimum unit 64 Kbytes.
  - Total 32 Mbytes × 6 area setting is available by the address pin and the chip select pin.
- 8/16-bit bus width setting are available for every chip select area.
- Programmable automatic memory wait (max. for 7 cycles) can be inserted.
- DRAM interface support
  - Three kinds of DRAM interface: Double CAS DRAM (normally DRAM I/F)
  - Single CAS DRAM
  - Hyper DRAM
  - 2 banks independent control (RAS, CAS, etc. control signals)
  - DRAM select is available from 2CAS/1WE and 1CAS/2WE.
  - Hi-speed page mode supported
  - CBR/self refresh supported
  - Programmable wave form
- Unused address/data pin can be used for I/O port.
- Little endian mode supported
- Without Clock doubler: Internal bus 25 MHz, external bus 25 MHz (at source oscillation 12.5 MHz)

## (1) Register configuration

- Area select register 1 to 5

Address	bit 15	bit 0	Initial value
0000060C <sub>H</sub>	ASR1		0 0 0 0 0 0 0 0 <sub>B</sub> 0 0 0 0 0 0 0 1 <sub>B</sub>
00000610 <sub>H</sub>	ASR2		0 0 0 0 0 0 0 0 <sub>B</sub> 0 0 0 0 0 0 1 0 <sub>B</sub>
00000614 <sub>H</sub>	ASR3		0 0 0 0 0 0 0 0 <sub>B</sub> 0 0 0 0 0 0 1 1 <sub>B</sub> (W)
00000618 <sub>H</sub>	ASR4		0 0 0 0 0 0 0 0 <sub>B</sub> 0 0 0 0 0 1 0 0 <sub>B</sub>
0000061C <sub>H</sub>	ASR5		0 0 0 0 0 0 0 0 <sub>B</sub> 0 0 0 0 0 1 0 1 <sub>B</sub>

- Area mask register 1 to 5

Address	bit 15	bit 0	Initial value
AMR1 : 0000060E <sub>H</sub> AMR2 : 00000612 <sub>H</sub> AMR3 : 00000616 <sub>H</sub> AMR4 : 0000061A <sub>H</sub> AMR5 : 0000061E <sub>H</sub>	AMR1 to AMR5		0 0 0 0 0 0 0 0 <sub>B</sub> (W) 0 0 0 0 0 0 0 0 <sub>B</sub>

- Area mode register 0, 1, 32, 4, 5

Address	bit 15	bit 8	bit 7	bit 0	Initial value
AMD0 : 00000620 <sub>H</sub> AMD1 : 00000621 <sub>H</sub>	AMD0		AMD1		- - - 0 0 1 1 1 <sub>B</sub> (R/W) 0 - - 0 0 0 0 <sub>B</sub>
AMD32 : 00000622 <sub>H</sub> AMD4 : 00000623 <sub>H</sub>	AMD32		AMD4		0 0 0 0 0 0 0 0 <sub>B</sub> 0 - - 0 0 0 0 <sub>B</sub> (R/W)
AMD5 : 00000624 <sub>H</sub>	AMD5		(DSCR)		0 - - 0 0 0 0 <sub>B</sub> (R/W)

- DRAM single control register

Address	bit 15	bit 8	bit 7	bit 0	Initial value
00000625 <sub>H</sub>	(AMD5)		DSCR		0 0 0 0 0 0 0 0 <sub>B</sub> (W)

- Refresh control register

Address	bit 15	bit 0	Initial value
00000626 <sub>H</sub>	RFCR		- - X X X X X <sub>B</sub> (R/W) 0 0 - - - 0 0 <sub>B</sub>

- External pin control register 0, 1

Address	bit 15	bit 0	Initial value
EPCR0: 00000628 <sub>H</sub>	EPCR0		- - - - 1 1 0 0 <sub>B</sub> (W) - 1 1 1 1 1 1 1 <sub>B</sub>
EPCR1: 0000062A <sub>H</sub>	EPCR1		- - - - - 1 <sub>B</sub> (W) 1 1 1 1 1 1 1 1 <sub>B</sub>

- DRAM control register 4, 5

Address	bit 15	bit 0	Initial value
DMCR4: 0000062C <sub>H</sub> DMCR5: 0000062E <sub>H</sub>	DMCR4, DMCR5		0 0 0 0 0 0 0 0 <sub>B</sub> (R/W) 0 0 0 0 0 0 0 - <sub>B</sub>

- Litter endian register

Address	bit 15	bit 8	bit 7	bit 0	Initial value
000007FE <sub>H</sub>	LER		(MODR)		- - - - - 0 0 0 <sub>B</sub> (W)

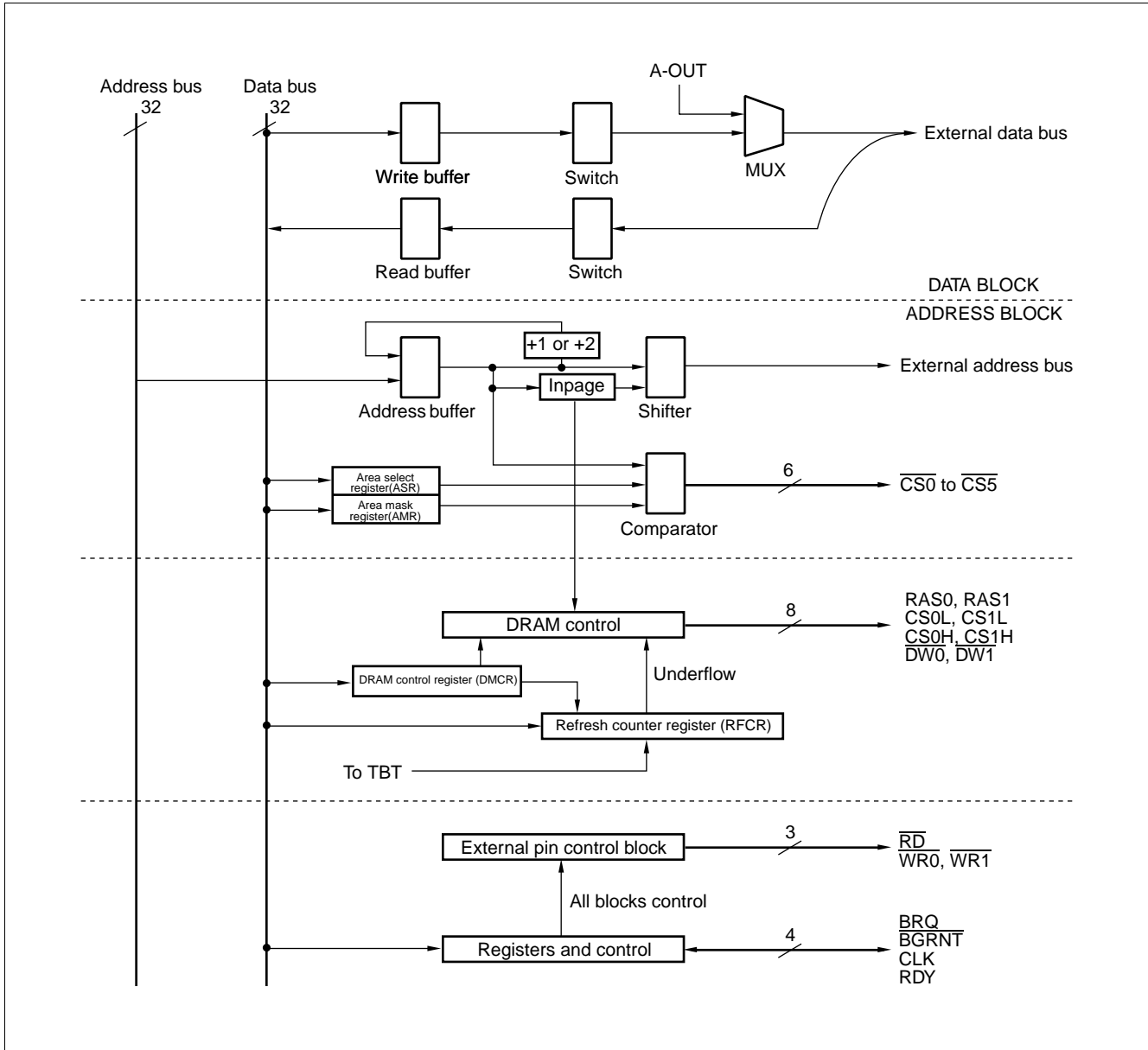
- Mode register

Address	bit 15	bit 8	bit 7	bit 0	Initial value
000007FF <sub>H</sub>	(LER)		MODR		X X X X X X X X <sub>B</sub> (W)

( ) : Access  
 R/W : Readable and writable  
 W : Write only  
 - : Unused  
 X : Indeterminate

# MB91F109

## (2) Block diagram



## ■ ELECTRICAL CHARACTERISTICS

### 1. Absolute Maximum Ratings

( $V_{SS} = AV_{SS} = 0.0\text{ V}$ )

Parameter	Symbol	Value		Unit	Remarks
		Min.	Max.		
Power supply voltage	$V_{CC}$	$V_{SS} - 0.3$	$V_{SS} + 4.0$	V	*1
Analog supply voltage	$AV_{CC}$	$V_{SS} - 0.3$	$V_{SS} + 4.0$	V	*2
Analog reference voltage	$AV_{RH}$	$V_{SS} - 0.3$	$V_{SS} + 4.0$	V	*2
Analog pin input voltage	$V_{IA}$	$V_{SS} - 0.3$	$AV_{CC} + 0.3$	V	
Input voltage	$V_I$	$V_{SS} - 0.3$	$V_{CC} + 0.3$	V	
Output voltage	$V_O$	$V_{SS} - 0.3$	$V_{CC} + 0.3$	V	
“L” level maximum output current	$I_{OL}$	—	10	mA	*3
“L” level average output current	$I_{OLAV}$	—	8	mA	*4
“L” level maximum total output current	$\Sigma I_{OL}$	—	100	mA	
“L” level average total output current	$\Sigma I_{OLAV}$	—	50	mA	*5
“H” level maximum output current	$I_{OH}$	—	-10	mA	*3
“H” level average output current	$I_{OHAV}$	—	-4	mA	*4
“H” level maximum total output current	$\Sigma I_{OH}$	—	-50	mA	
“H” level average total output current	$\Sigma I_{OHAV}$	—	-20	mA	*5
Power consumption	$P_D$	—	500	mW	
Operating temperature	$T_A$	0	+70	°C	
Storage temperature	$T_{stg}$	-55	+150	°C	

\*1:  $V_{CC}$  must not be less than  $V_{SS} - 0.3\text{ V}$ .

\*2: Make sure that the voltage does not exceed  $V_{CC} + 0.3\text{ V}$ , such as when turning on the device.

\*3: Maximum output current is a peak current value measured at a corresponding pin.

\*4: Average output current is an average current for a 100 ms period at a corresponding pin.

\*5: Average total output current is an average current for a 100 ms period for all corresponding pins.

**WARNING:** Semiconductor devices can be permanently damaged by application of stress (voltage, current, temperature, etc.) in excess of absolute maximum ratings. Do not exceed these ratings.

# MB91F109

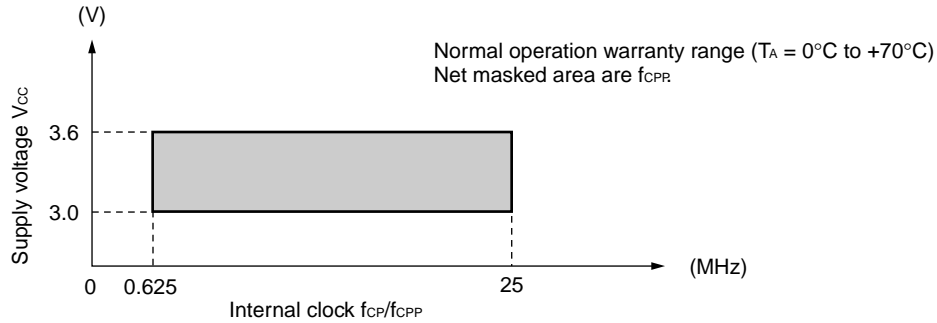
## 2. Recommended Operating Conditions

( $V_{SS} = AV_{SS} = 0.0\text{ V}$ )

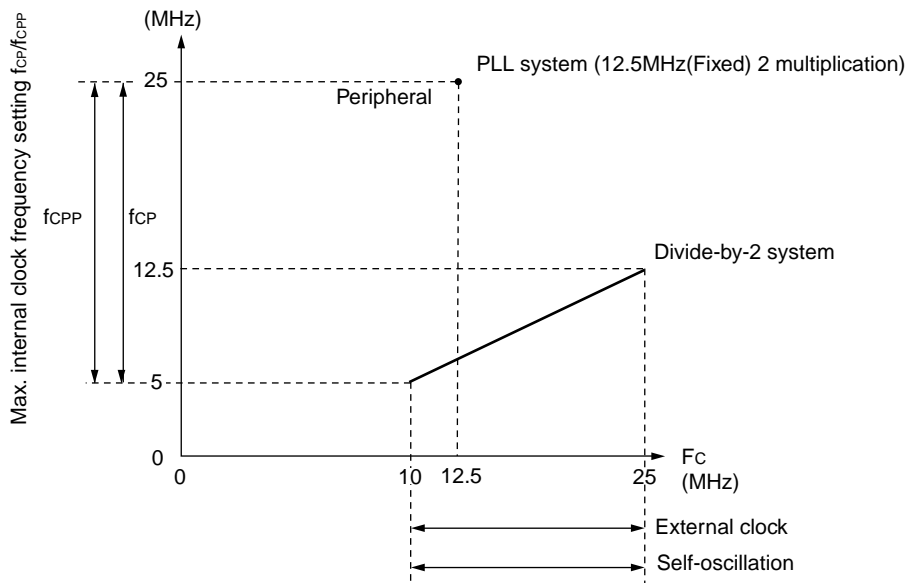
Parameter	Symbol	Value		Unit	Remarks
		Min.	Max.		
Power supply voltage	$V_{CC}$	3.15	3.6	V	Normal operation
	$V_{CC}$	3.15	3.6	V	Retaining the RAM state in stop mode
Analog supply voltage	$AV_{CC}$	$V_{SS} - 0.3$	$V_{SS} + 3.6$	V	
Analog reference voltage	$AV_{RH}$	$AV_{SS}$	$AV_{CC}$	V	
Operating temperature	$T_A$	0	+70	°C	



• Normal operation warranty rage



• External/Internal clock setting rage



- Notes:
- When using PLL, the external clock must be used need 12.5 MHz.
  - PLL oscillation stabilizing period  $> 100 \mu\text{s}$
  - The setting of internal clock must be within above ranges.

**WARNING:** The recommended operating conditions are required in order to ensure the normal operation of the semiconductor device. All of the device's electrical characteristics are warranted when the device is operated within these ranges.

Always use semiconductor devices within their recommended operating condition ranges. Operation outside these ranges may adversely affect reliability and could result in device failure.

No warranty is made with respect to uses, operating conditions, or combinations not represented on the data sheet. Users considering application outside the listed conditions are advised to contact their FUJITSU representatives beforehand.

# MB91F109

## 3. DC Characteristics

( $V_{CC} = 3.15 \text{ V to } 3.6 \text{ V}$ ,  $V_{SS} = AV_{SS} = 0.0 \text{ V}$ ,  $T_A = 0^\circ\text{C to } +70^\circ\text{C}$ )

Parameter	Symbol	Pin name	Condition	Value			Unit	Remarks
				Min.	Typ.	Max.		
“H” level input voltage	$V_{IH}$	Input pin except for hysteresis input	—	$0.65 \times V_{CC}$	—	$V_{CC} + 0.3$	V	
	$V_{IHS}$	$\overline{NMI}$ , $\overline{RST}$ , P40 to P47, P50 to P57, P60 to P67, P70, P81, P83 to P85, PA0 to PA6, PB0 to PB7, PE0 to PE7, PF0 to PF7	—	$0.8 \times V_{CC}$	—	$V_{CC} + 0.3$	V	Hysteresis input
“L” level input voltage	$V_{IL}$	Input other than following symbols	—	$V_{SS} - 0.3$	—	$0.25 \times V_{CC}$	V	
	$V_{ILS}$	$\overline{NMI}$ , $\overline{RST}$ , P40 to P47, P50 to P57, P60 to P67, P70, P81, P83 to P85, PA0 to PA6, PB0 to PB7, PE0 to PE7, PF0 to PF7	—	$V_{SS} - 0.3$	—	$0.2 \times V_{CC}$	V	Hysteresis input
“H” level output voltage	$V_{OH}$	P20 to P27 P30 to P37 P40 to P47 P50 to P57	$V_{CC} = 3.15 \text{ V}$ $I_{OH} = -4.0 \text{ mA}$	$V_{CC} - 0.5$	—	—	V	
“L” level output voltage	$V_{OL}$	P60 to P67 P70 P80 to P85	$V_{CC} = 3.15 \text{ V}$ $I_{OL} = 4.0 \text{ mA}$	—	—	0.4	V	
Input leakage current (Hi-Z output leakage current)	$I_{LI}$	PA0 to PA6 PB0 to PB7 PE0 to PE7 PF0 to PF7	$V_{CC} = 3.6 \text{ V}$ $0.45 \text{ V} < V_I < V_{CC}$	-5	—	+5	$\mu\text{A}$	
Pull-up resistance	$R_{PULL}$	$\overline{RST}$	$V_{CC} = 3.6 \text{ V}$ $V_I = 0.45 \text{ V}$	25	50	100	$\text{k}\Omega$	
Power supply current	$I_{CC}$	$V_{CC}$	$F_C = 12.5 \text{ MHz}$ $V_{CC} = 3.3 \text{ V}$	—	75	100	$\text{mA}$	(2 multiplication) Operation at 25 MHz
	$I_{CCS}$	$V_{CC}$	$F_C = 12.5 \text{ MHz}$ $V_{CC} = 3.3 \text{ V}$	—	35	50	$\text{mA}$	Sleep mode
	$I_{CCH}$	$V_{CC}$	$T_A = +25^\circ\text{C}$ $V_{CC} = 3.3 \text{ V}$	—	1.4	150	$\mu\text{A}$	Stop mode
Input capacitance	$C_{IN}$	Except for $V_{CC}$ , $AV_{CC}$ , $AV_{SS}$ , $V_{SS}$	—	—	10	—	$\text{pF}$	

## 4. FLASH Memory Programming/Erasing Characteristics

( $V_{CC} = 3.15\text{ V to }3.6\text{ V}$ ,  $V_{SS} = AV_{SS} = 0.0\text{ V}$ ,  $T_A = 0^\circ\text{C to }+70^\circ\text{C}$ )

Parameter	Condition	Value			Unit	Remarks
		Min.	Typ.	Max.		
Sector erasing time	$T_A = +25^\circ\text{C}$ $V_{CC} = 3.3\text{ V}$	—	1.5	13.5	s	Except for the write time before internal erase operation
Chip erasing time		—	—	27.0	s	Except for the write time before internal erase operation
Byte programming time		—	16	—	$\mu\text{s}$	Except for the over head time of the system
Chip programming time		—	2.1	—	s	Except for the over head time of the system
Erase/Program cycle	—	100	—	—	cycle	

Note: The internal automatic algorithm continues operations for up to 48 ms, for each 1-byte writing operation.

# MB91F109

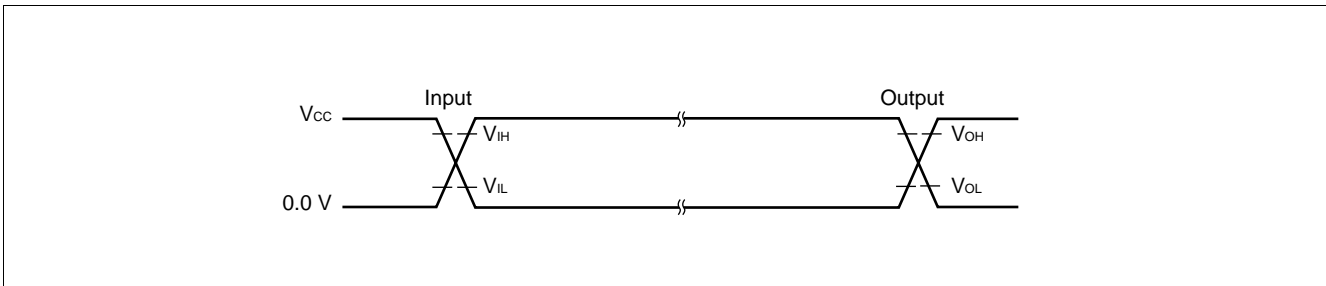
## 5. AC Characteristics

### (1) Measurement Conditions

( $V_{CC} = 3.15\text{ V to }3.6\text{ V}$ )

Parameter	Symbol	Value			Unit	Remarks
		Min.	Typ.	Max.		
"H" level input voltage	$V_{IH}$	—	$1/2^* \times V_{CC}$	—	V	
"L" level input voltage	$V_{IL}$	—	$1/2^* \times V_{CC}$	—	V	
"H" level output voltage	$V_{OH}$	—	$1/2^* \times V_{CC}$	—	V	
"L" level output voltage	$V_{OL}$	—	$1/2^* \times V_{CC}$	—	V	

\*: Input rise/fall time is 10 ns. and less.

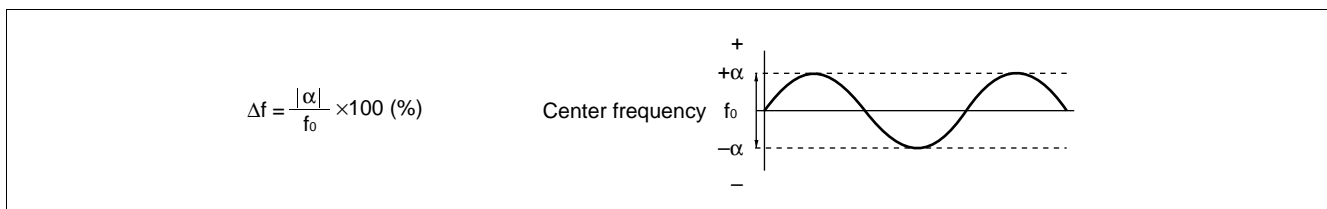


## (2) Clock Timing Rating

(V<sub>CC</sub> = 3.15 V to 3.6 V, V<sub>SS</sub> = AV<sub>SS</sub> = 0.0 V, T<sub>A</sub> = 0°C to +70°C)

Parameter	Symbol	Pin name	Condition	Value		Unit	Remarks
				Min.	Max.		
Clock frequency	F <sub>C</sub>	X0, X1	Self-oscillation at 12.5 MHz Internal operation at 25 MHz (Via PLL, double)	12.5	12.5	MHz	
	F <sub>C</sub>	X0, X1	Self-oscillation (divide-by-2 input)	10	25	MHz	
	F <sub>C</sub>	X0, X1	External clock (divide-by-2 input)	10	25	MHz	
Clock cycle time	t <sub>c</sub>	X0, X1	Self-oscillation at 12.5 MHz Internal operation at 25 MHz (Via PLL, double)	—	80	ns	
	t <sub>c</sub>	X0, X1	—	40	100	ns	
Frequency shift ratio (when locked)	Δf	—	Self-oscillation at 12.5 MHz Internal operation at 25 MHz (Via PLL, double)	—	5	%	*1
Input clock pulse width	P <sub>WH</sub> , P <sub>WL</sub>	X0, X1	12.5 MHz to 25.0 MHz	18.5	—	ns	Input clock pulse to X0 and X1
	P <sub>WH</sub>	X0	12.5 MHz and less	25	—	ns	Input clock pulse to X0 only
Input clock rising/falling time	t <sub>CR</sub> , t <sub>CF</sub>	X0, X1	—	—	8	ns	(t <sub>CR</sub> + t <sub>CF</sub> )
Internal operating clock frequency	f <sub>CP</sub>	—	CPU system	0.625*2	25	MHz	
	f <sub>CPP</sub>	—	Peripheral system	0.625*2	25	MHz	
Internal operating clock cycle time	t <sub>CP</sub>	—	CPU system	40	1600*2	ns	
	t <sub>CPP</sub>	—	Peripheral system	40	1600*2	ns	

\*1: Frequency shift ratio stands for deviation ratio of the operating clock from the center frequency in the clock multiplication system.

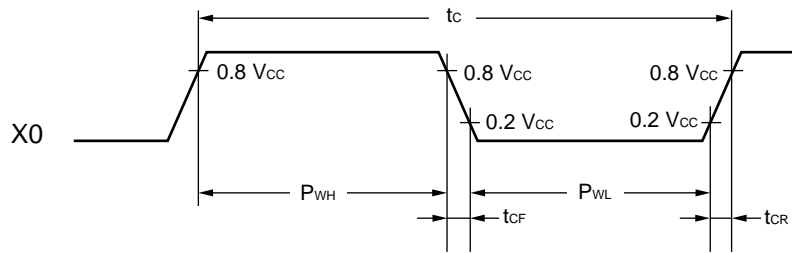


\*2: These values are for a minimum clock of 10 MHz input to X0, a divide-by-2 system of the source oscillation and a 1/8 gear.

- Load conditions



- Clock timing rating measurement conditions



## (3) Clock Output Timing

( $V_{CC} = 3.15\text{ V to }3.6\text{ V}$ ,  $V_{SS} = AV_{SS} = 0.0\text{ V}$ ,  $T_A = 0^\circ\text{C to }+70^\circ\text{C}$ )

Parameter	Symbol	Pin name	Condition	Value		Unit	Remarks
				Min.	Max.		
Cycle time	$t_{CYC}$	CLK	—	$t_{CP}^{*1}$	—	ns	*2
CLK $\uparrow \rightarrow$ CLK $\downarrow$	$t_{CHCL}$	CLK	—	$1/2 \times t_{CYC} - 5$	$1/2 \times t_{CYC} + 5$	ns	*3
CLK $\downarrow \rightarrow$ CLK $\uparrow$	$t_{CLCH}$	CLK		$1/2 \times t_{CYC} - 5$	$1/2 \times t_{CYC} + 5$	ns	*4

\*1: For information on  $t_{CP}$  (internal operating clock cycle time), see “(2) Clock Timing Rating.”

\*2:  $t_{CYC}$  is a frequency for 1 clock cycle including a gear cycle.

\*3: Rating at a gear cycle of  $\times 1$ .

When a gear cycle of 1/2, 1/4, 1/8 is selected, substitute “n” in the following equations with 1/2, 1/4, 1/8, respectively.

$$\text{Min. : } (1 - n/2) \times t_{CYC} - 10$$

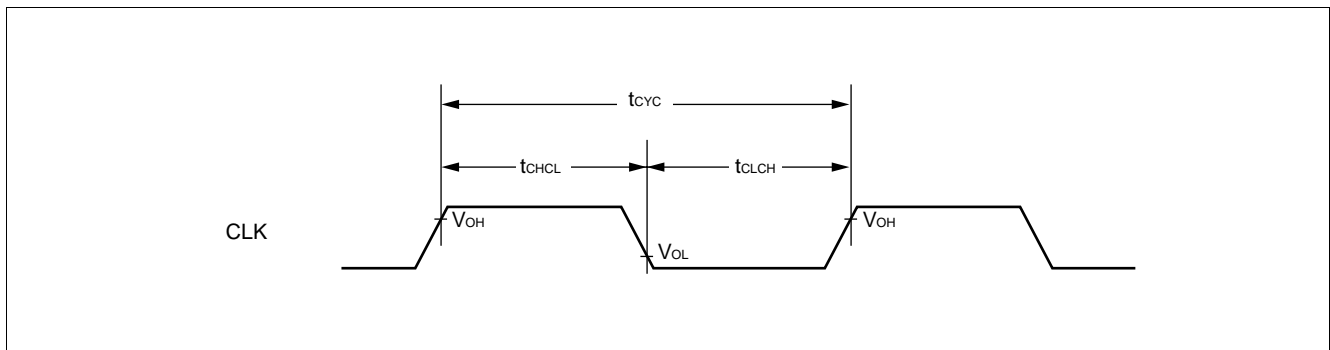
$$\text{Max. : } (1 - n/2) \times t_{CYC} + 10$$

\*4: Rating at a gear cycle of  $\times 1$ .

When a gear cycle of 1/2, 1/4, 1/8 is selected, substitute “n” in the following equations with 1/2, 1/4, 1/8, respectively.

$$\text{Min. : } n/2 \times t_{CYC} - 10$$

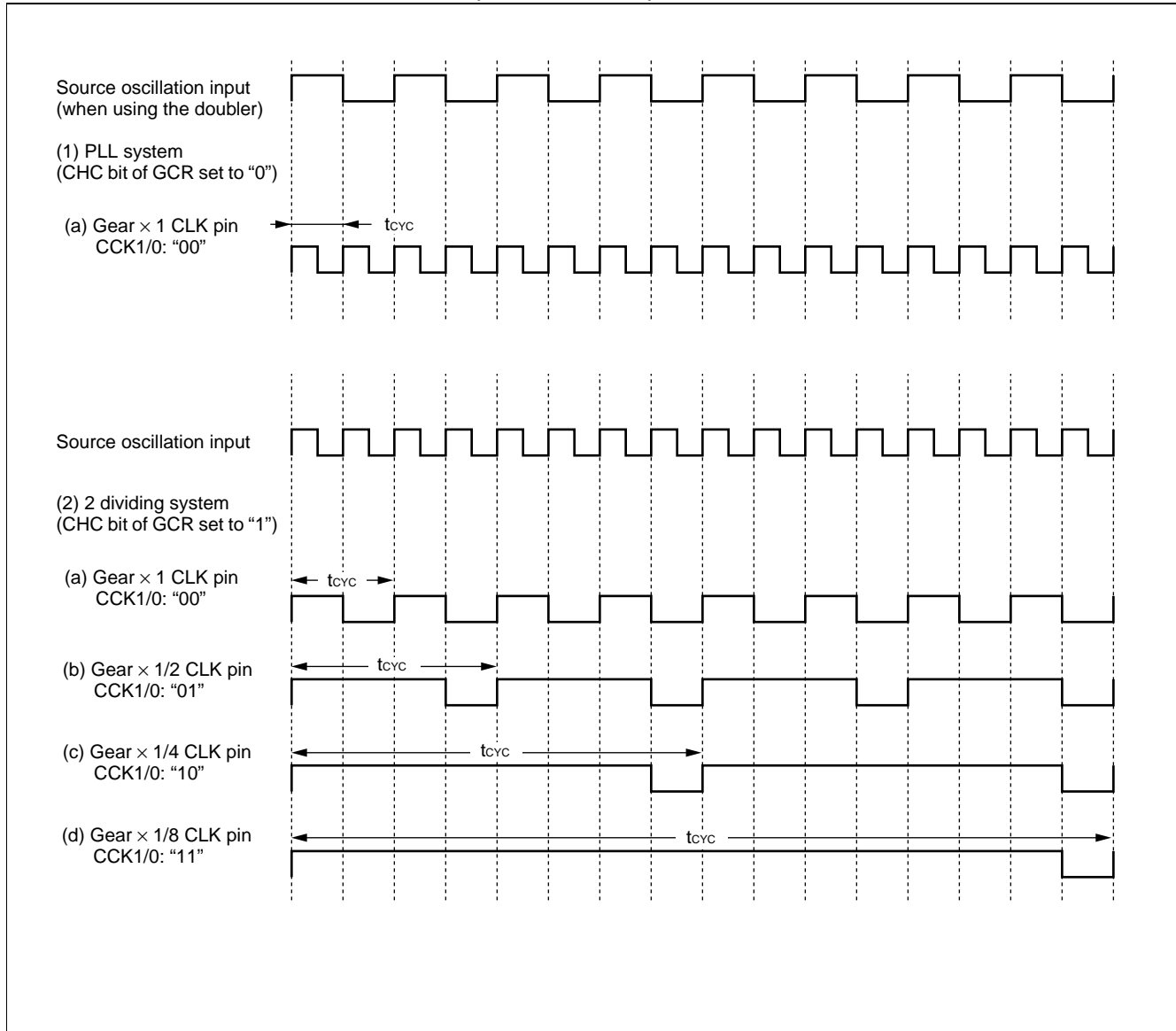
$$\text{Max. : } n/2 \times t_{CYC} + 10$$



# MB91F109

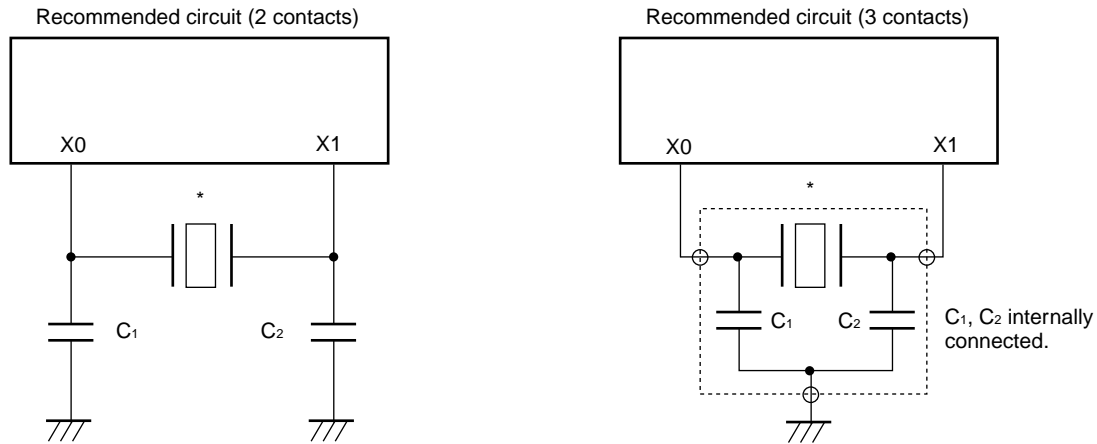
The relation between source oscillation input and CLK pin for configured by CHC/CCK1/CCK0 settings of GCR (gear control register) is as follows:

However, in this chart source oscillation input means X0 input clock.





## • Ceramic oscillator applications



\*: Murata Mfg. Co., Ltd.

## • Discreet type

Oscillation frequency [MHz]	Model	Load capacitance $C_1 = C_2$ [pF]	Power supply voltage $V_{cc}$ [V]
5.00 to 6.30	CSA□□□MG	30	3.15 to 3.6
	CST□□□MGW	(30)	
	CSA□□□MG093	30	3.15 to 3.6
	CST□□□MGW093	(30)	
6.31 to 10.0	CSA□□□MTZ	30	3.15 to 3.6
	CST□□□MTW	(30)	
	CSA□□□MTZ093	30	3.15 to 3.6
	CST□□□MTW093	(30)	
10.1 to 13.0	CSA□□□MTZ	30	3.15 to 3.6
	CST□□□MTW	(30)	
	CSA□□□MTZ093	30	3.15 to 3.6
	CST□□□MTW093	(30)	
13.01 to 15.00	CSA□□□MXZ040	15	3.2 to 3.6
	CST□□□MXW0C3	(15)	

( ):  $C_1$  and  $C_2$  internally connected 3 contacts type.

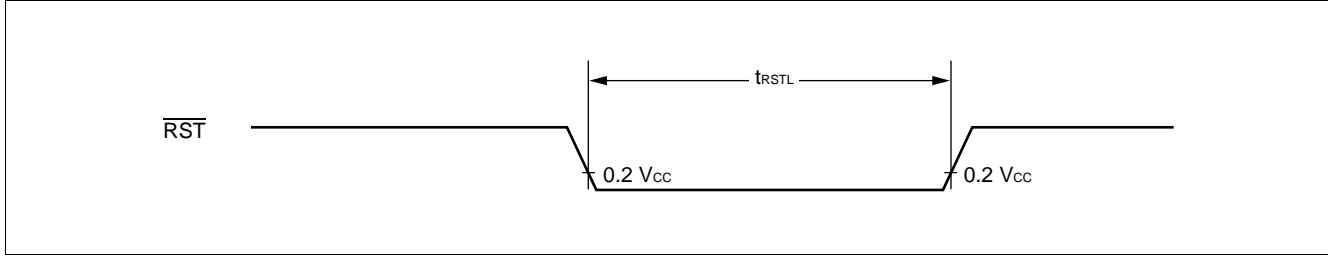
# MB91F109

## (4) Reset Input Ratings

( $V_{CC} = 3.15\text{ V to }3.6\text{ V}$ ,  $V_{SS} = AV_{SS} = 0.0\text{ V}$ ,  $T_A = 0^\circ\text{C to }+70^\circ\text{C}$ )

Parameter	Symbol	Pin name	Condition	Value		Unit	Remarks
				Min.	Max.		
Reset input time	$t_{RSTL}$	$\overline{RST}$	—	$t_{CP}^* \times 5$	—	ns	

\*: For information on  $t_{CP}$  (internal operating clock cycle time), see “(2) Clock Timing Rating.”

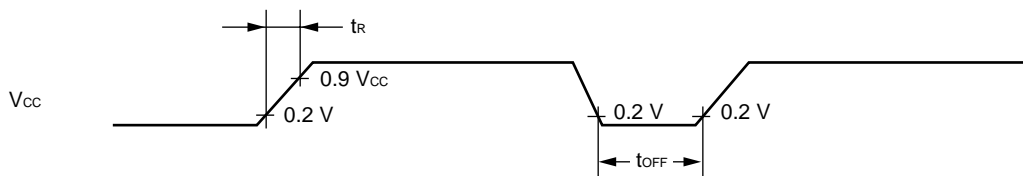


## (5) Power on Supply Specifications (Power-on Reset)

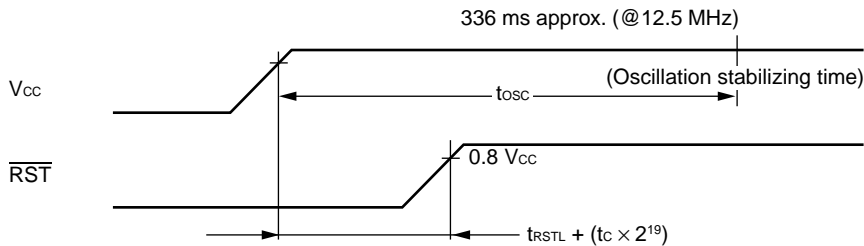
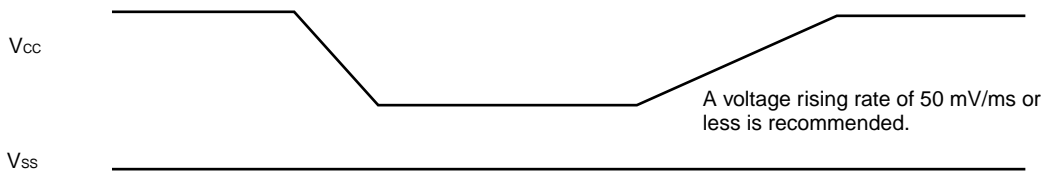
( $A_{V_{CC}} = V_{CC} = 3.15 \text{ V to } 3.6 \text{ V}$ ,  $V_{SS} = A_{V_{SS}} = 0.0 \text{ V}$ ,  $T_A = 0^\circ\text{C to } +70^\circ\text{C}$ )

Parameter	Symbol	Pin name	Condition	Value		Unit	Remarks
				Min.	Max.		
Power supply rising time	$t_R$	$V_{CC}$	$V_{CC} = 3.3 \text{ V}$	—	18	ms	$V_{CC} < 0.2 \text{ V}$ before the power supply rising
Power supply shut off time	$t_{OFF}$	$V_{CC}$	—	1	—	ms	Repeated operations
Oscillation stabilizing time	$t_{OSC}$	—		$2 \times t_c^* \times 2^{20} + 100 \mu\text{s}$	—	ns	

\*: For information on  $t_c$  (clock cycle time), see “(2) Clock Timing Rating.”



Note: Sudden change in supply voltage during operation may initiate a power-on sequence. To change supply voltage during operation, it is recommended to smoothly raise the voltage to avoid rapid fluctuations in the supply voltage.



$t_{RSTL}$ : Reset input time

- Notes:
- Set  $\overline{RST}$  pin to “L” level when turning on the device, at least the described above duration after the supply voltage reaches  $V_{CC}$  is necessary before turning the  $\overline{RST}$  to “H” level.
  - Some internal resistors which are initialized only via power on reset are embedded in the device. To initialize these resistors, run power on reset by returning on the power supply.

# MB91F109

## (6) Normal Bus Access Read/write Operation

( $A_{VCC} = V_{CC} = 3.15 \text{ V to } 3.6 \text{ V}$ ,  $V_{SS} = AV_{SS} = 0.0 \text{ V}$ ,  $T_A = 0^\circ\text{C to } +70^\circ\text{C}$ )

Parameter	Symbol	Pin name	Condition	Value		Unit	Remarks
				Min.	Max.		
$\overline{CS0}$ to $\overline{CS5}$ delay time	$t_{CHCSL}$	CLK, $\overline{CS0}$ to $\overline{CS5}$	—	—	15	ns	
	$t_{CHCSH}$	CLK, $\overline{CS0}$ to $\overline{CS5}$		—	15	ns	
Address delay time	$t_{CHAV}$	CLK, A24 to A00		—	15	ns	
Data delay time	$t_{CHDV}$	CLK, D31 to D16		—	15	ns	
$\overline{RD}$ delay time	$t_{CLRL}$	CLK, $\overline{RD}$		—	15	ns	
	$t_{CLRH}$	CLK, $\overline{RD}$		—	15	ns	
$\overline{WR0}$ , $\overline{WR1}$ delay time	$t_{CLWL}$	CLK, $\overline{WR0}$ , $\overline{WR1}$		—	15	ns	
	$t_{CLWH}$	CLK, $\overline{WR0}$ , $\overline{WR1}$		—	15	ns	
Valid address → valid data input time	$t_{AVDV}$	A24 to A00, D31 to D16		—	$\frac{3}{2} \times t_{CYC}^{*1}$ – 25	ns	*2 *3
$\overline{RD} \downarrow \rightarrow$ valid data input time	$t_{RLDV}$	$\overline{RD}$ , D31 to D16		—	$t_{CYC}^{*1} - 10$	ns	*2
Data set up → $\overline{RD} \uparrow$ time	$t_{DSRH}$	$\overline{RD}$ , D31 to D16		10	—	ns	
$\overline{RD} \uparrow \rightarrow$ data hold time	$t_{RHDX}$	$\overline{RD}$ , D31 to D16		10	—	ns	

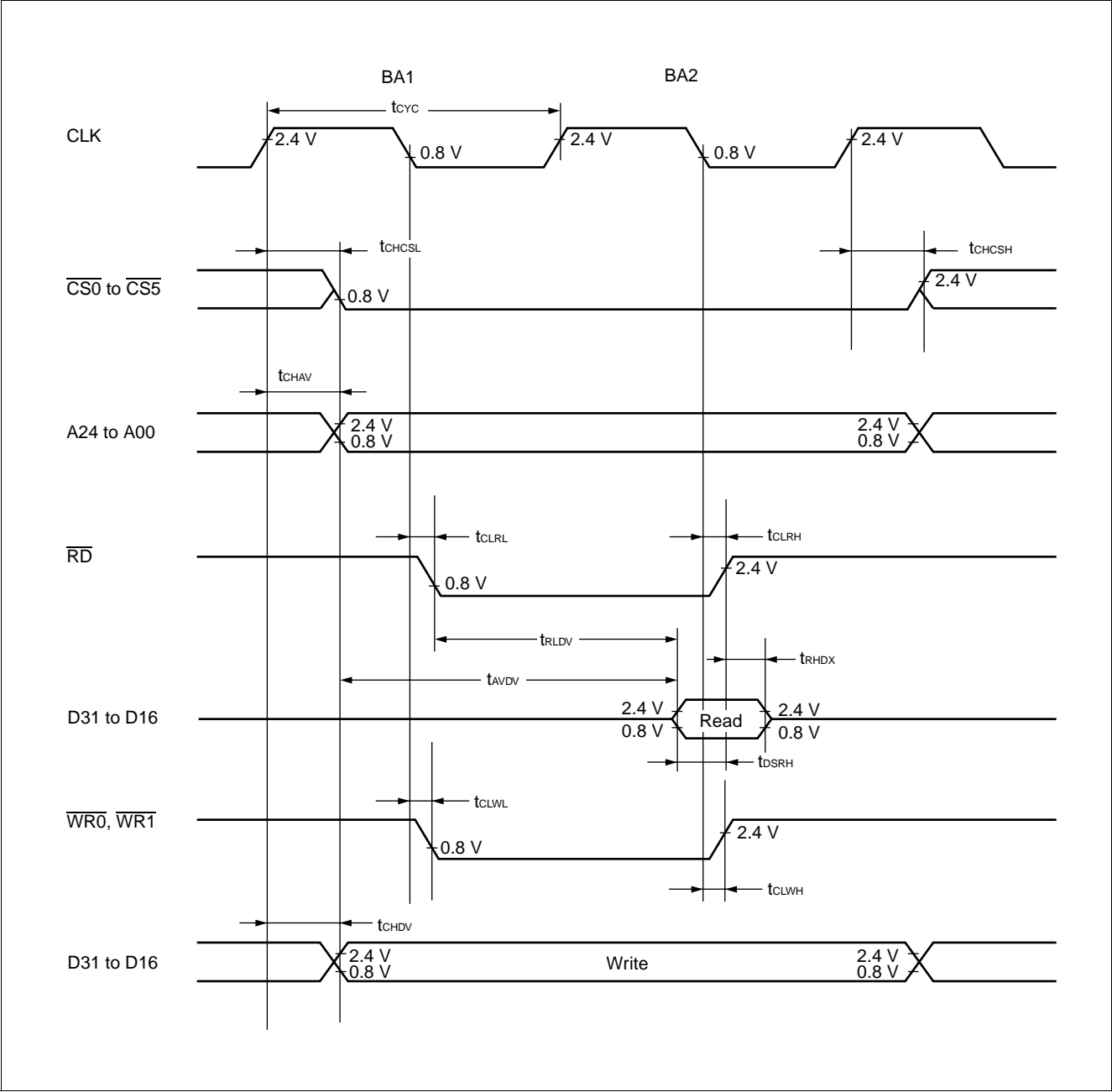
\*1: For information on  $t_{CYC}$  (a cycle time of peripheral system clock), see “(3) Clock Output Timing.”

\*2: When bus timing is delayed by automatic wait insertion or RDY input, add ( $t_{CYC} \times$  extended cycle number for delay) to this rating.

\*3: Rating at a gear cycle of  $\times 1$ .

When a gear cycle of 1/2, 1/4, 1/8 is selected, substitute “n” in the following equation with 1/2, 1/4, 1/8, respectively.

$$\text{Equation: } (2 - n/2) \times t_{CYC} - 25$$

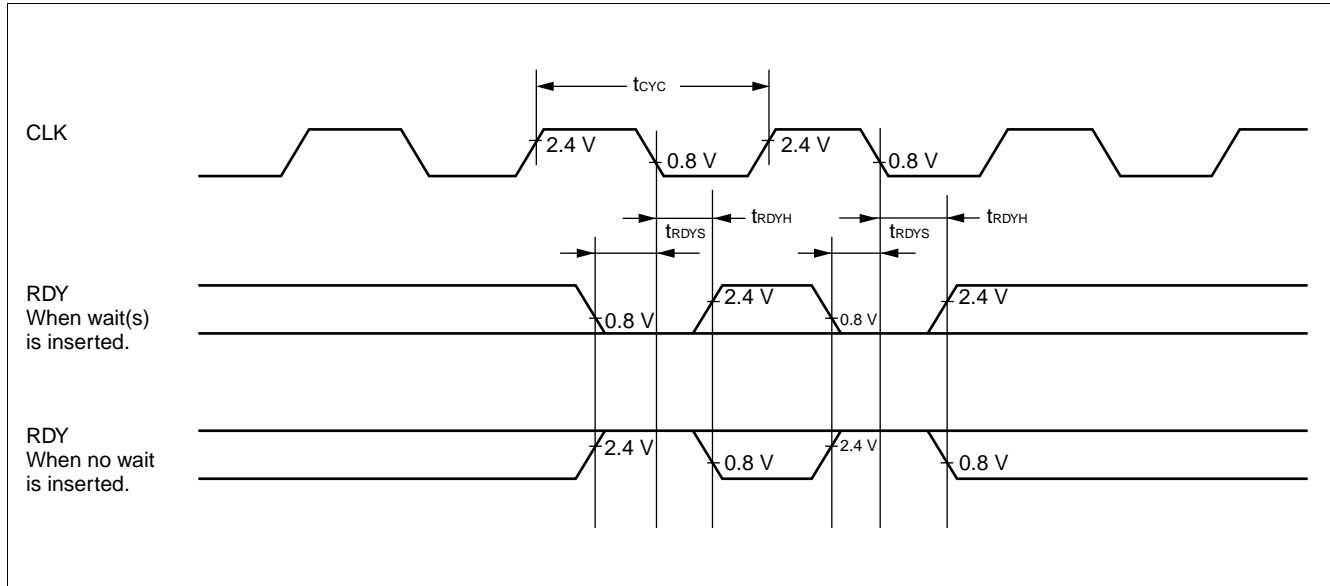


# MB91F109

## (7) Ready Input Timing

( $V_{CC} = 3.15\text{ V to }3.6\text{ V}$ ,  $V_{SS} = AV_{SS} = 0.0\text{ V}$ ,  $T_A = 0^\circ\text{C to }+70^\circ\text{C}$ )

Parameter	Symbol	Pin name	Condition	Value		Unit	Remarks
				Min.	Max.		
RDY set up time → CLK ↓	$t_{RDYS}$	RDY, CLK	—	15	—	ns	
CLK ↓ → RDY hold time	$t_{RDYH}$	CLK, RDY		0	—	ns	



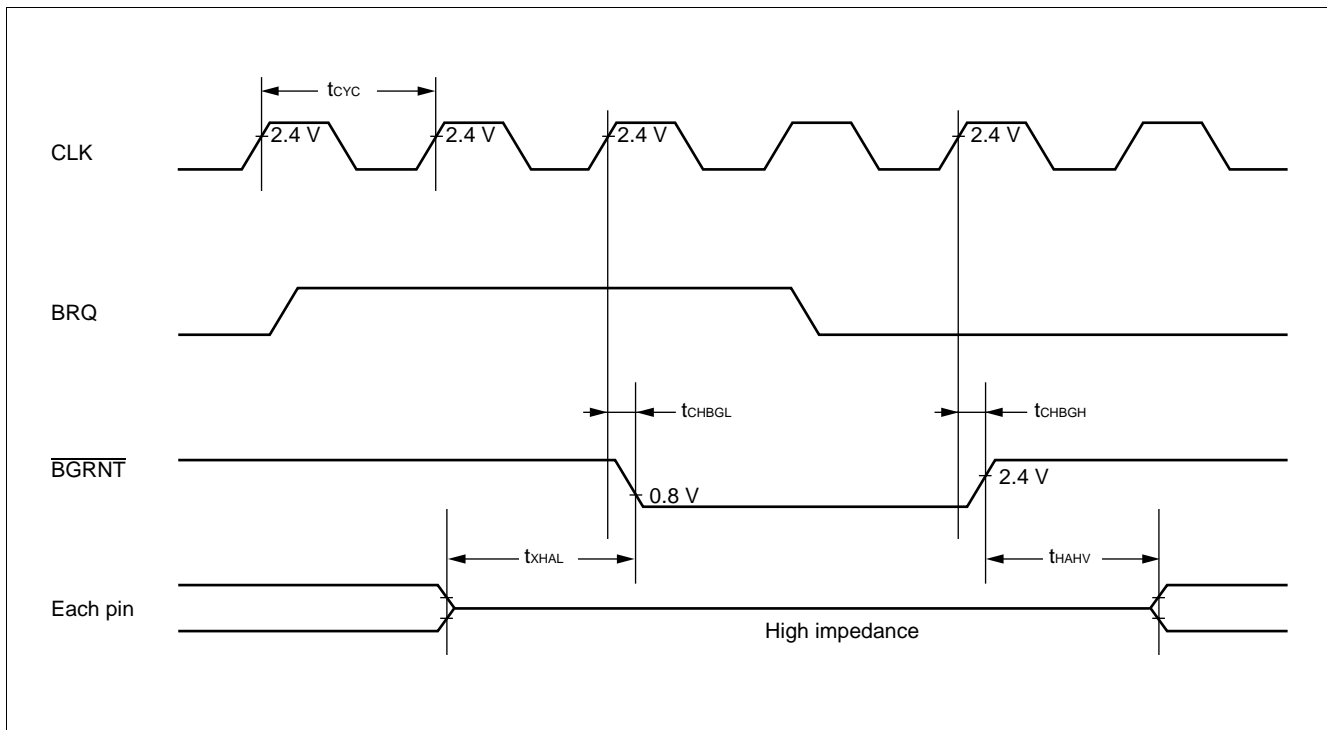
## (8) Hold Timing

( $V_{CC} = 3.15\text{ V to }3.6\text{ V}$ ,  $V_{SS} = AV_{SS} = 0.0\text{ V}$ ,  $T_A = 0^\circ\text{C to }+70^\circ\text{C}$ )

Parameter	Symbol	Pin name	Condition	Value		Unit	Remarks
				Min.	Max.		
$\overline{\text{BGRNT}}$ delay time	$t_{\text{CHBGL}}$	CLK, $\overline{\text{BGRNT}}$	—	—	6	ns	
	$t_{\text{CHBGH}}$	CLK, $\overline{\text{BGRNT}}$		—	6	ns	
Pin floating $\rightarrow \overline{\text{BGRNT}}$ $\downarrow$ time	$t_{\text{XHAL}}$	$\overline{\text{BGRNT}}$		$t_{\text{CYC}}^* - 10$	$t_{\text{CYC}}^* + 10$	ns	
$\overline{\text{BGRNT}}$ $\uparrow \rightarrow$ pin valid time	$t_{\text{HAHV}}$	$\overline{\text{BGRNT}}$		$t_{\text{CYC}}^* - 10$	$t_{\text{CYC}}^* + 10$	ns	

\*: For information on  $t_{\text{CYC}}$  (a cycle time of peripheral system clock), see “(3) Clock Output Timing.”

Note: There is a delay time of more than 1 cycle from BRQ input to  $\overline{\text{BGRNT}}$  change.



# MB91F109

## (9) Normal DRAM Mode Read/Write Cycle

(V<sub>CC</sub> = 3.15 V to 3.6 V, V<sub>SS</sub> = AV<sub>SS</sub> = 0.0 V, T<sub>A</sub> = 0°C to +70°C)

Parameter	Symbol	Pin name	Condition	Value		Unit	Remarks
				Min.	Max.		
RAS delay time	t <sub>CLRAH</sub>	CLK, RAS	—	—	15	ns	
	t <sub>CHRAL</sub>	CLK, RAS		—	15	ns	
CAS delay time	t <sub>CLCASL</sub>	CLK, CS0H, CS1H, CS0L, CS1L		—	15	ns	
	t <sub>CLCASH</sub>	CLK, CS0H, CS1H, CS0L, CS1L		—	15	ns	
ROW address delay time	t <sub>CHRAV</sub>	CLK, A24 to A00		—	15	ns	
COLUMN address delay time	t <sub>CHCAV</sub>	CLK, A24 to A00		—	15	ns	
$\overline{DW}$ delay time	t <sub>CHDWL</sub>	CLK, $\overline{DW}^{*2}$		—	15	ns	
	t <sub>CHDWH</sub>	CLK, $\overline{DW}^{*2}$		—	15	ns	
Output data delay time	t <sub>CHDV1</sub>	CLK, D31 to D16		—	15	ns	
RAS ↓ → valid data input time	t <sub>RLDV</sub>	RAS, D31 to D16		—	$\frac{5}{2} \times t_{CYC}^{*1} - 16$	ns	*3 *4
CAS ↓ → valid data input time	t <sub>CLDV</sub>	CS0H, CS1H, CS0L, CS1L, D31 to D16		—	$t_{CYC}^{*1} - 17$	ns	*3
CAS ↑ → data hold time	t <sub>CADH</sub>	CS0H, CS1H, CS0L, CS1L, D31 to D16		—	10	ns	

\*1: For information on t<sub>CYC</sub> (a cycle time of peripheral system clock), see "(3) Clock Output Timing."

\*2:  $\overline{DW}$  expresses that  $\overline{DW0}$ ,  $\overline{DW1}$  and CS0H, CS1H are used for  $\overline{WE}$ .

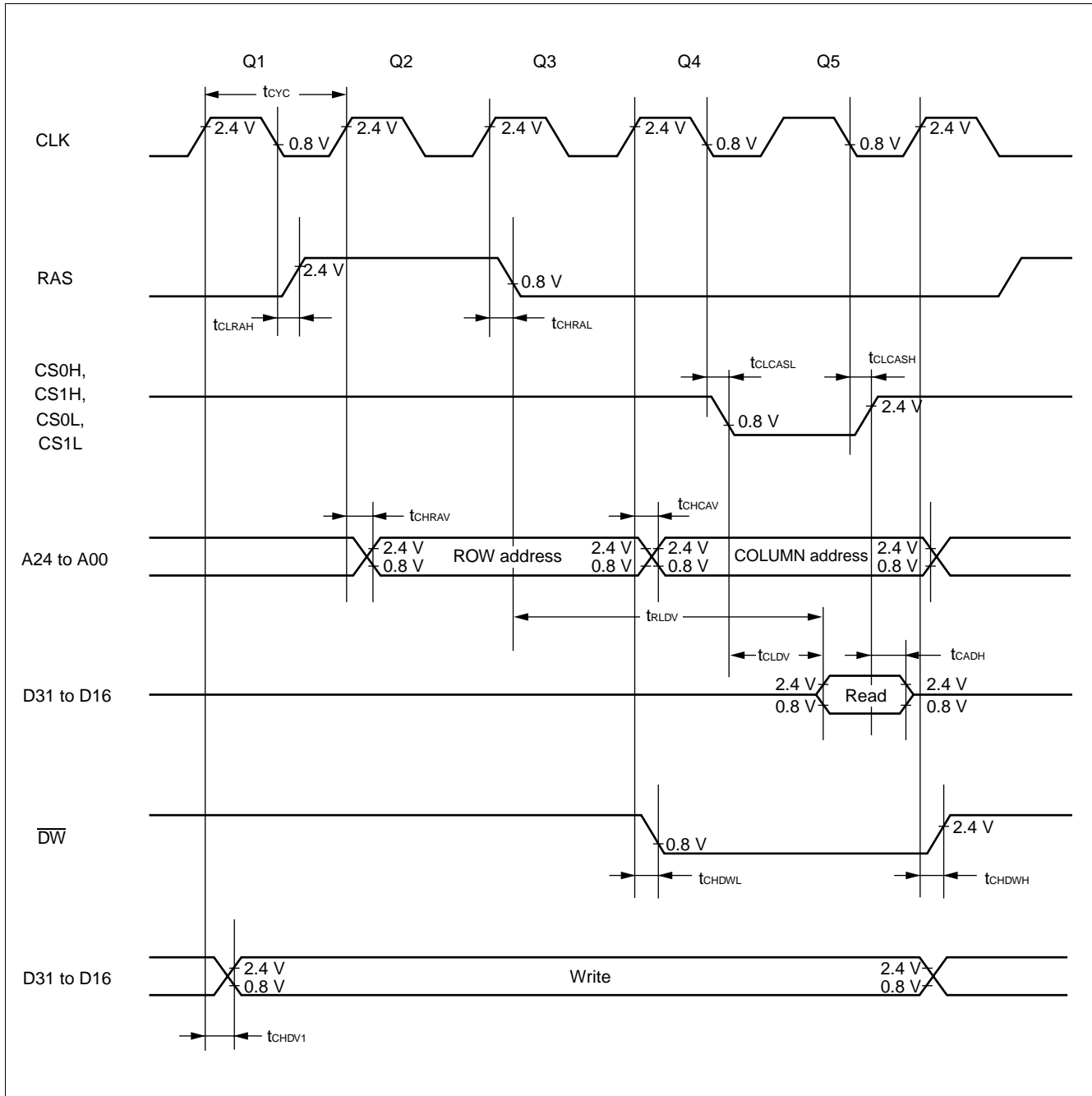
\*3: When Q1 cycle or Q4 cycle is extended for 1 cycle, add t<sub>CYC</sub> time to this rating.

\*4: Rating at a gear cycle of × 1.

When a gear cycle of 1/2, 1/4, 1/8 is selected, substitute "n" in the following equation with 1/2, 1/4, 1/8, respectively.

$$\text{Equation: } (3 - n/2) \times t_{CYC} - 16$$





# MB91F109

## (10) Normal DRAM Mode Fast Page Read/Write Cycle

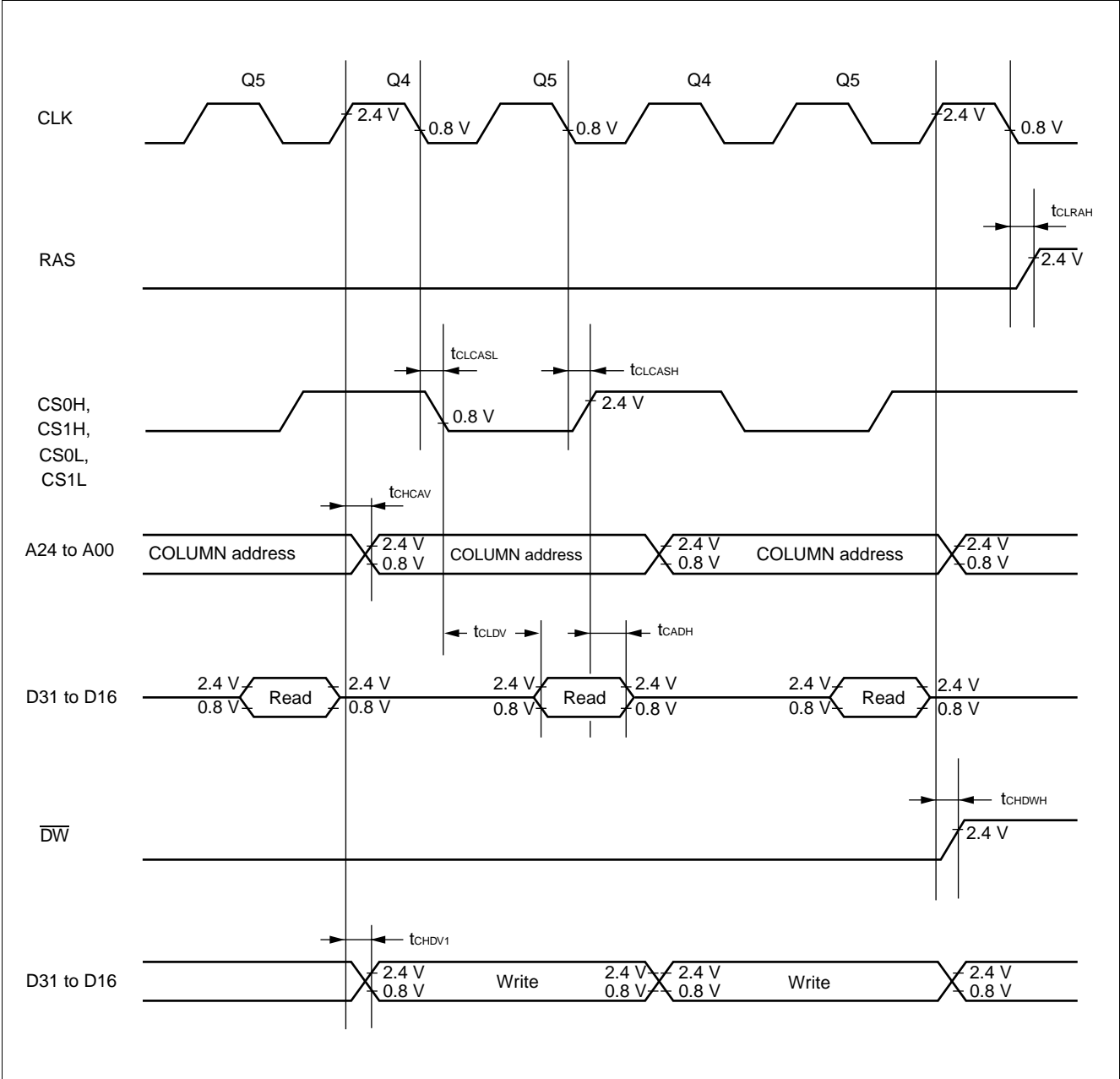
( $V_{CC} = 3.15 \text{ V to } 3.6 \text{ V}$ ,  $V_{SS} = AV_{SS} = 0.0 \text{ V}$ ,  $T_A = 0^\circ\text{C to } +70^\circ\text{C}$ )

Parameter	Symbol	Pin name	Condition	Value		Unit	Remarks
				Min.	Max.		
RAS delay time	t <sub>CLRAH</sub>	CLK, RAS	—	—	15	ns	
CAS delay time	t <sub>CLCASL</sub>	CLK, CS0H, CS1H, CS0L, CS1L		—	15	ns	
	t <sub>CLCASH</sub>	CLK, CS0H, CS1H, CS0L, CS1L		—	15	ns	
COLUMN address delay time	t <sub>CHCAV</sub>	CLK, A24 to A00		—	15	ns	
$\overline{DW}$ delay time	t <sub>CHDWH</sub>	CLK, $\overline{DW}$ *2		—	15	ns	
Output data delay time	t <sub>CHDV1</sub>	CLK, D31 to D16		—	15	ns	
CAS ↓→ valid data input time	t <sub>CLDV</sub>	CS0H, CS1H, CS0L, CS1L, D31 to D16		—	t <sub>cyc</sub> *1 – 17	ns	*3
CAS ↑→ data hold time	t <sub>CADH</sub>	CS0H, CS1H, CS0L, CS1L, D31 to D16	10	—	ns		

\*1: For information on t<sub>cyc</sub> (a cycle time of peripheral system clock), see “(3) Clock Output Timing.”

\*2:  $\overline{DW}$  expresses that  $\overline{DW0}$ ,  $\overline{DW1}$  and CS0H, CS1H are used for  $\overline{WE}$ .

\*3: When Q4 cycle is extended for 1 cycle, add t<sub>cyc</sub> time to this rating.



# MB91F109

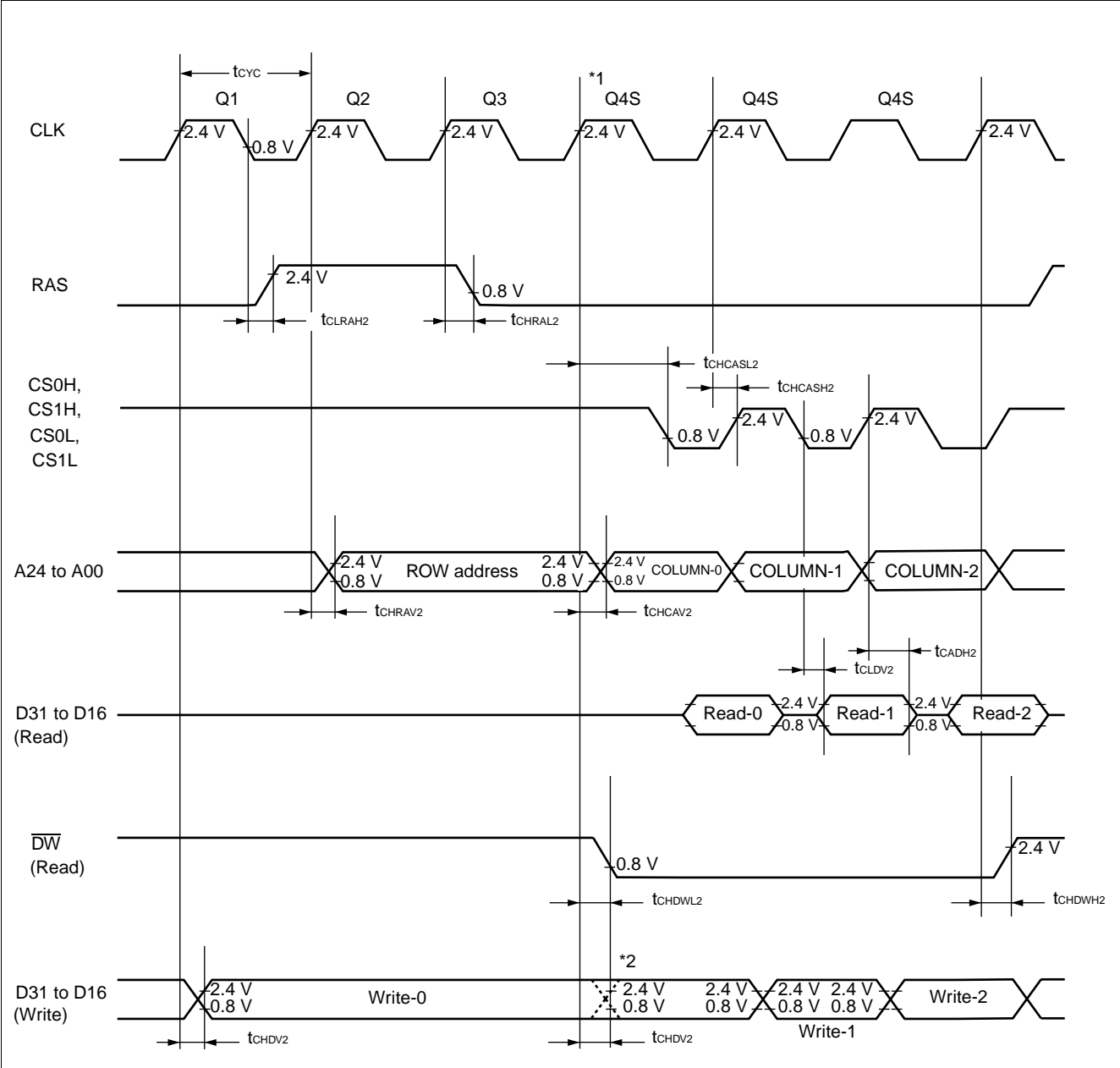
## (11) Single DRAM Timing

( $V_{CC} = 3.15 \text{ V to } 3.6 \text{ V}$ ,  $V_{SS} = AV_{SS} = 0.0 \text{ V}$ ,  $T_A = 0^\circ\text{C to } +70^\circ\text{C}$ )

Parameter	Symbol	Pin name	Condition	Value		Unit	Remarks
				Min.	Max.		
RAS delay time	t <sub>CLRAH2</sub>	CLK, RAS	—	—	15	ns	
	t <sub>CHRAL2</sub>	CLK, RAS			15	ns	
CAS delay time	t <sub>CHCASL2</sub>	CLK, CS0H, CS1H, CS0L, CS1L		—	$n/2 \times t_{CYC}^{*1}$	ns	
	t <sub>CHCASH2</sub>	CLK, CS0H, CS1H, CS0L, CS1L		—	15	ns	
ROW address delay time	t <sub>CHRAV2</sub>	CLK, A24 to A00		—	15	ns	
COLUMN address delay time	t <sub>CHCAV2</sub>	CLK, A24 to A00		—	15	ns	
$\overline{DW}$ delay time	t <sub>CHDWL2</sub>	CLK, $\overline{DW}^{*2}$		—	15	ns	
	t <sub>CHDWH2</sub>	CLK, $\overline{DW}^{*2}$		—	15	ns	
Output data delay time	t <sub>CHDV2</sub>	CLK, D31 to D16		—	15	ns	
CAS ↓→ Valid data input time	t <sub>CLDV2</sub>	CS0H, CS1H, CS0L, CS1L, D31 to D16		—	$(1 - n/2) \times t_{CYC}^{*1} - 17$	ns	
CAS ↑→ data hold time	t <sub>CADH2</sub>	CS0H, CS1H, CS0L, CS1L, D31 to D16		10	—	ns	

\*1: For information on  $t_{CYC}$  (a cycle time of peripheral system clock), see “(3) Clock Output Timing.”

\*2:  $\overline{DW}$  expresses that  $\overline{DW0}$ ,  $\overline{DW1}$  and CS0H, CS1H are used for  $\overline{WE}$ .



\*1: Q4S indicates Q4SR (Read) of Single DRAM cycle or Q4SW (Write) cycle.  
 \*2: - - - indicates the timing when the bus cycle begins from the high speed page mode.

# MB91F109

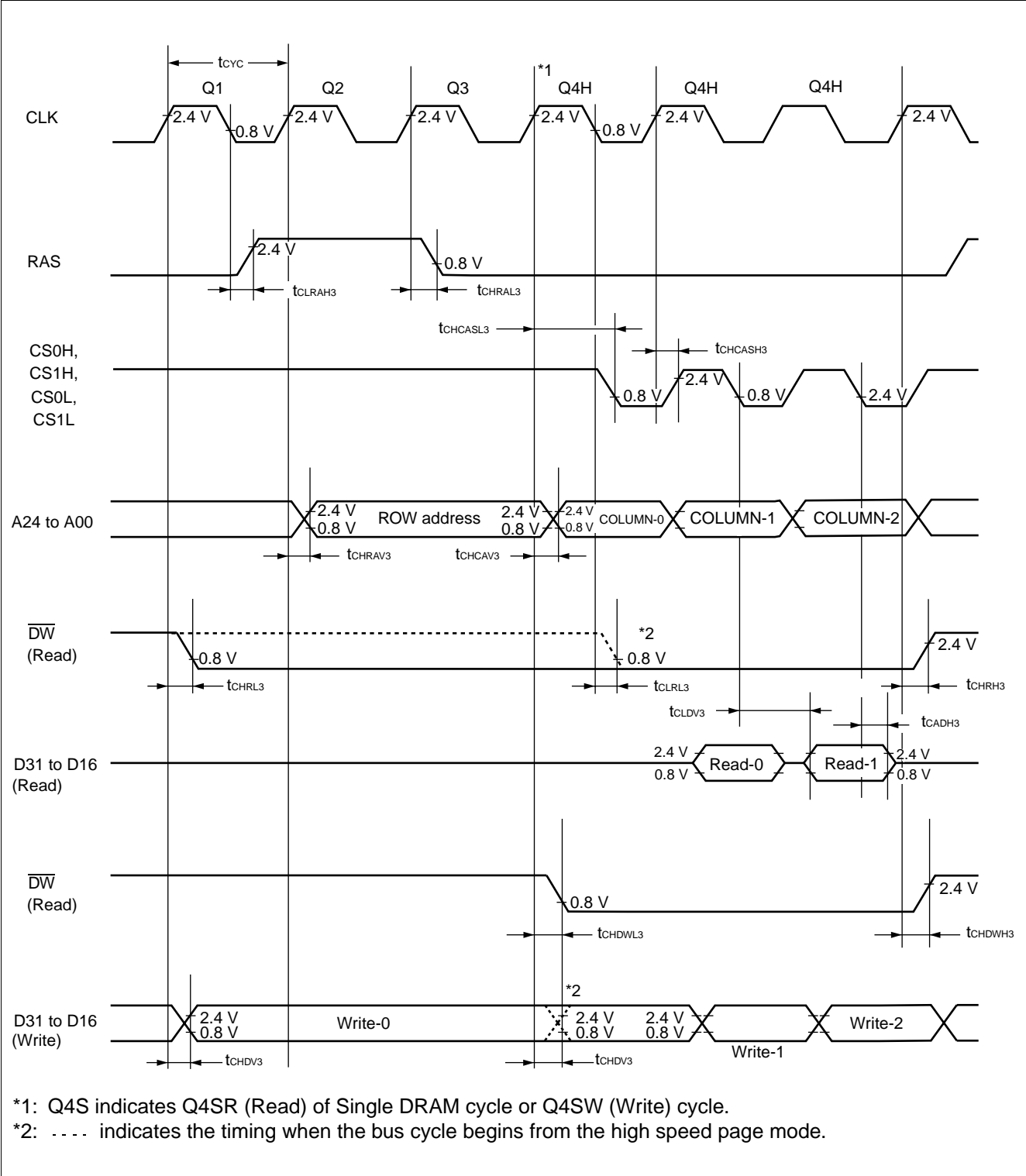
## (12) Hyper DRAM Timing

( $V_{CC} = 3.15 \text{ V to } 3.6 \text{ V}$ ,  $V_{SS} = AV_{SS} = 0.0 \text{ V}$ ,  $T_A = 0^\circ\text{C to } +70^\circ\text{C}$ )

Parameter	Symbol	Pin name	Condition	Value		Unit	Remarks
				Min.	Max.		
RAS delay time	t <sub>CLRAH3</sub>	CLK, RAS	—	—	15	ns	
	t <sub>CHRAL3</sub>	CLK, RAS		—	15	ns	
CAS delay time	t <sub>CHCASL3</sub>	CLK, CS0H, CS1H, CS0L, CS1L		—	$n/2 \times t_{CYC}^{*1}$	ns	
	t <sub>CHCASH3</sub>	CLK, CS0H, CS1H, CS0L, CS1L		—	15	ns	
ROW address delay time	t <sub>CHRAV3</sub>	CLK, A24 to A00		—	15	ns	
COLUMN address delay time	t <sub>CHCAV3</sub>	CLK, A24 to A00		—	15	ns	
$\overline{\text{RD}}$ delay time	t <sub>CHRL3</sub>	CLK, $\overline{\text{RD}}$		—	15	ns	
	t <sub>CHRH3</sub>	CLK, $\overline{\text{RD}}$		—	15	ns	
	t <sub>CLRL3</sub>	CLK, $\overline{\text{RD}}$		—	15	ns	
$\overline{\text{DW}}$ delay time	t <sub>CHDWL3</sub>	CLK, $\overline{\text{DW}}^{*2}$		—	15	ns	
	t <sub>CHDWH3</sub>	CLK, $\overline{\text{DW}}^{*2}$		—	15	ns	
Output data delay time	t <sub>CHDV3</sub>	CLK, D31 to D16		—	15	ns	
CAS $\downarrow \rightarrow$ valid data input time	t <sub>CLDV3</sub>	CS0H, CS1H, CS0L, CS1L, D31 to D16		—	$t_{CYC} - 17$	ns	
CAS $\downarrow \rightarrow$ data hold time	t <sub>CADH3</sub>	CS0H, CS1H, CS0L, CS1L, D31 to D16		10	—	ns	

\*1: For information on  $t_{CYC}$  (a cycle time of peripheral system clock), see “(3) Clock Output Timing.”

\*2:  $\overline{\text{DW}}$  expresses that  $\overline{\text{DW0}}$ ,  $\overline{\text{DW1}}$  and CS0H, CS1H are used for  $\overline{\text{WE}}$ .

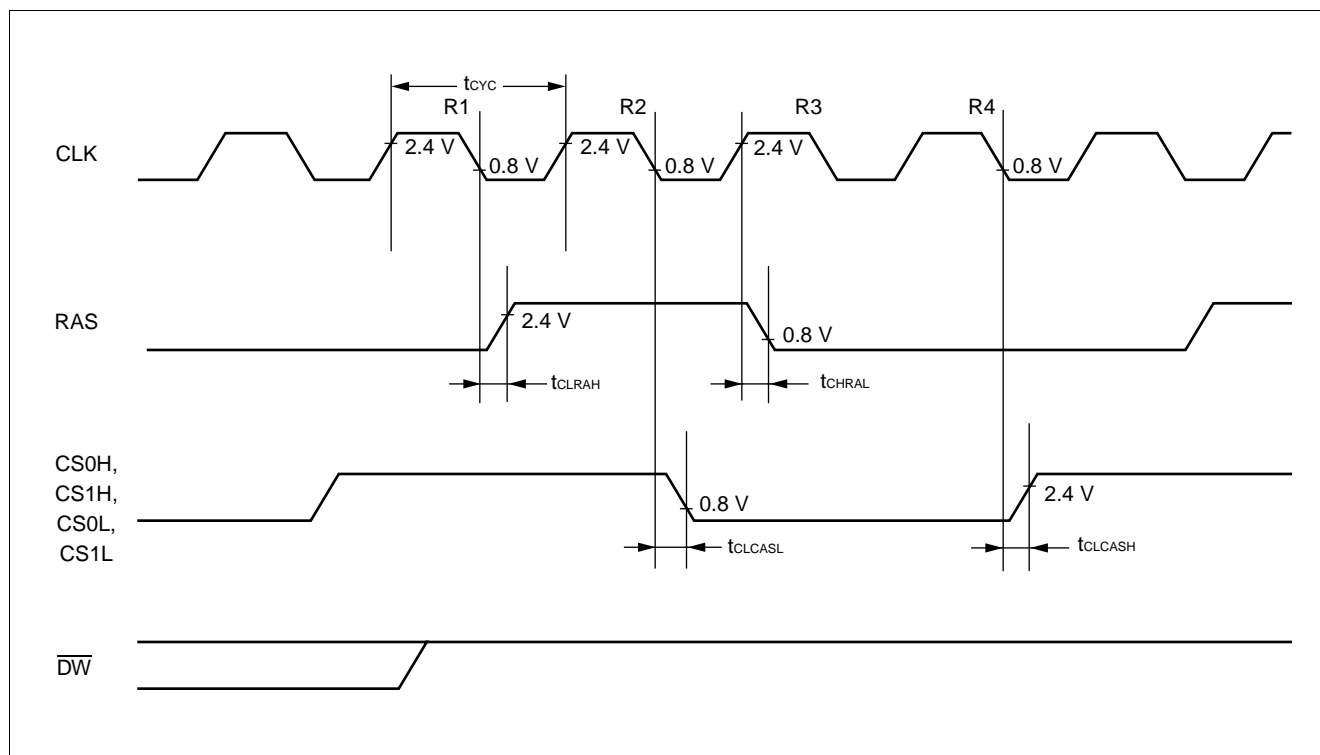


# MB91F109

## (13) CBR Refresh

( $V_{CC} = 3.15\text{ V to }3.6\text{ V}$ ,  $V_{SS} = AV_{SS} = 0.0\text{ V}$ ,  $T_A = 0^\circ\text{C to }+70^\circ\text{C}$ )

Parameter	Symbol	Pin name	Condition	Value		Unit	Remarks
				Min.	Max.		
RAS delay time	$t_{CLRAH}$	CLK, RAS	—	—	15	ns	
	$t_{CHRAL}$	CLK, RAS		—	15	ns	
CAS delay time	$t_{CLCASL}$	CLK, CS0H, CS1H, CS0L, CS1L	—	—	15	ns	
	$t_{CLCASH}$	CLK, CS0H, CS1H, CS0L, CS1L		—	15	ns	

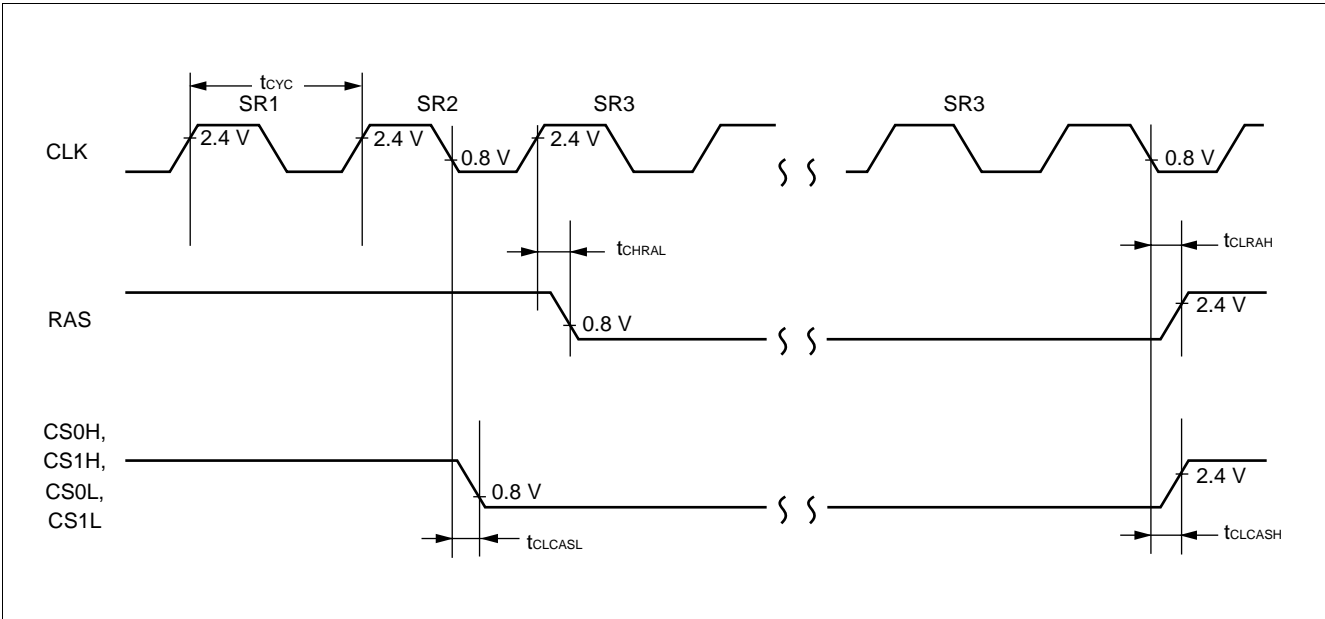




**(14) Self Refresh**

(V<sub>CC</sub> = 3.15 V to 3.6 V, V<sub>SS</sub> = AV<sub>SS</sub> = 0.0 V, T<sub>A</sub> = 0°C to +70°C)

Parameter	Symbol	Pin name	Condition	Value		Unit	Remarks
				Min.	Max.		
RAS delay time	t <sub>CLRAH</sub>	CLK, RAS	—	—	15	ns	
	t <sub>CHRAL</sub>	CLK, RAS		—	15	ns	
CAS delay time	t <sub>CLCASL</sub>	CLK, CS0H, CS1H, CS0L, CS1L	—	—	15	ns	
	t <sub>CLCASH</sub>	CLK, CS0H, CS1H, CS0L, CS1L		—	15	ns	



# MB91F109

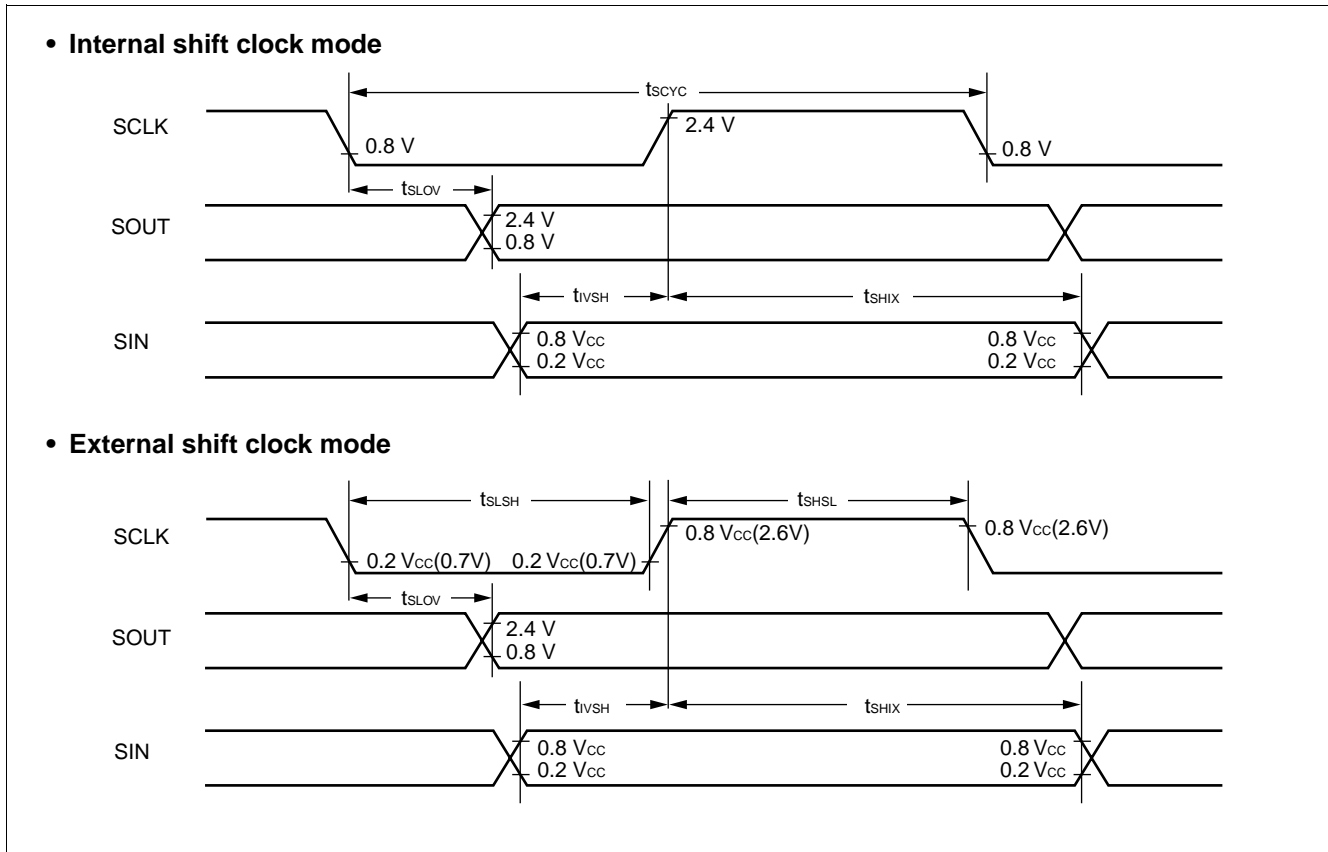
## (15) UART Timing

( $V_{CC} = 3.15V$  to  $3.6V$ ,  $V_{SS} = AV_{SS} = 0.0V$ ,  $T_A = 0^{\circ}C$  to  $+70^{\circ}C$ )

Parameter	Symbol	Pin name	Condition	Value		Unit	Remarks
				Min.	Max.		
Serial clock cycle time	$t_{SCYC}$	—	Internal shift clock mode	$8 \times t_{CYCP}^*$	—	ns	
SCLK $\downarrow \rightarrow$ SOUT delay time	$t_{SLOV}$	—		-80	80	ns	
Valid SIN $\rightarrow$ SCLK $\uparrow$	$t_{VSH}$	—		100	—	ns	
SCLK $\uparrow \rightarrow$ valid SIN hold time	$t_{SHIX}$	—		60	—	ns	
Serial clock "H" pulse width	$t_{SHSL}$	—	External shift clock mode	$4 \times t_{CYCP}^*$	—	ns	
Serial clock "L" pulse width	$t_{SLSH}$	—		$4 \times t_{CYCP}^*$	—	ns	
SCLK $\downarrow \rightarrow$ SOUT delay time	$t_{SLOV}$	—		—	150	ns	
Valid SIN $\rightarrow$ SCLK $\uparrow$	$t_{VSH}$	—		60	—	ns	
SCLK $\uparrow \rightarrow$ valid SIN hold time	$t_{SHIX}$	—	60	—	ns		

\*: For information on  $t_{CYCP}$  (a cycle time of peripheral system clock), see "(2) Clock Timing Rating."

Notes: This rating is for AC characteristics in CLK synchronous mode.

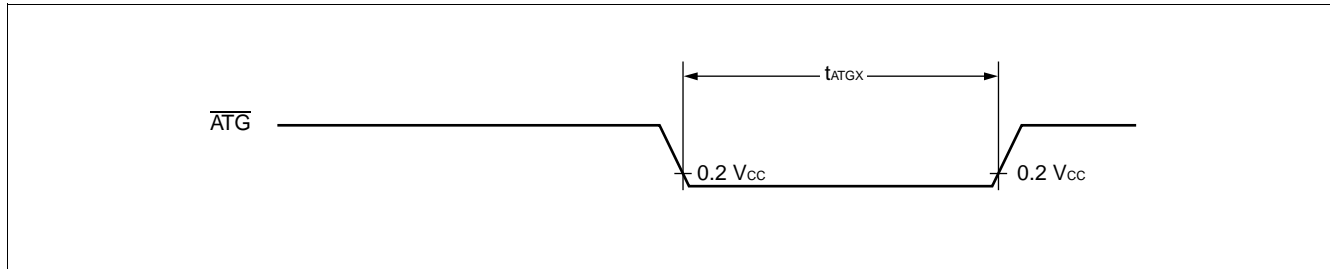


## (16) Trigger System Input Timing

( $V_{CC} = 3.15\text{ V to }3.6\text{ V}$ ,  $V_{SS} = AV_{SS} = 0.0\text{ V}$ ,  $T_A = 0^\circ\text{C to }+70^\circ\text{C}$ )

Parameter	Symbol	Pin name	Condition	Value		Unit	Remarks
				Min.	Max.		
A/D start trigger input time	$t_{ATGX}$	$\overline{ATG}$	—	$5 \times t_{CYCP}^*$	—	ns	

\*: For information on  $t_{CYCP}$  (a cycle time of peripheral system clock), see “(2) Clock Timing Rating.”



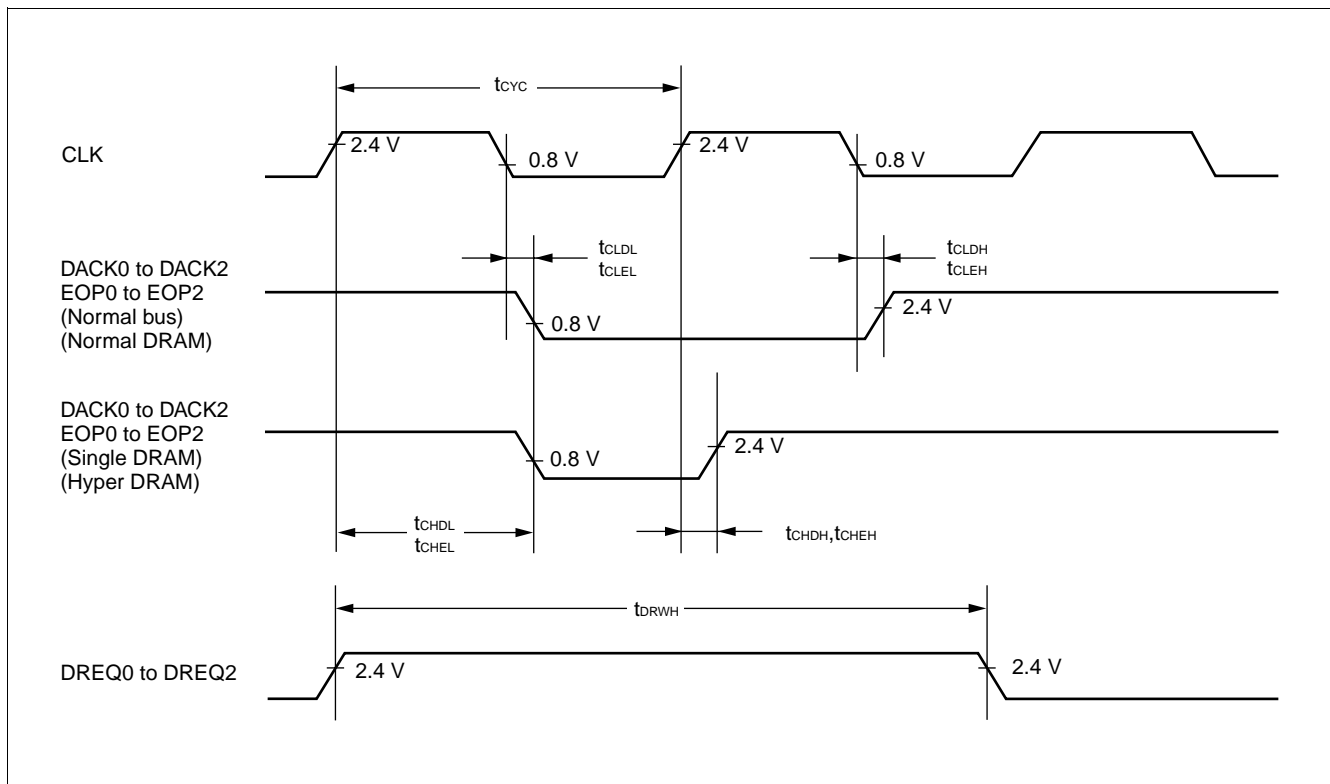
# MB91F109

## (17) DMA Controller Timing

( $V_{CC} = 3.15 \text{ V to } 3.6 \text{ V}$ ,  $V_{SS} = AV_{SS} = 0.0 \text{ V}$ ,  $T_A = 0^\circ\text{C to } +70^\circ\text{C}$ )

Parameter	Symbol	Pin name	Condition	Value		Unit	Remarks
				Min.	Max.		
DREQ input pulse width	$t_{DRWH}$	DREQ0 to DREQ2	—	$2 \times t_{CYC}^*$	—	ns	
DACK delay time (Normal bus) (Normal DRAM)	$t_{CLDL}$	CLK, DACK0 to DACK2		—	6	ns	
	$t_{CLDH}$	CLK, DACK0 to DACK2		—	6	ns	
EOP delay time (Normal bus) (Normal DRAM)	$t_{CLEL}$	CLK, EOP0 to EOP2		—	6	ns	
	$t_{CLEH}$	CLK, EOP0 to EOP2		—	6	ns	
DACK delay time (Single DRAM) (Hyper DRAM)	$t_{CHDL}$	CLK, DACK0 to DACK2		—	$n/2 \times t_{CYC}^*$	ns	
	$t_{CHDH}$	CLK, DACK0 to DACK2		—	6	ns	
EOP delay time (Single DRAM) (Hyper DRAM)	$t_{CHEL}$	CLK, EOP0 to EOP2		—	$n/2 \times t_{CYC}^*$	ns	
	$t_{CHEH}$	CLK, EOP0 to EOP2		—	6	ns	

\*: For information on  $t_{CYC}$  (a cycle time of peripheral system clock), see “(3) Clock Output Timing.”



## 6. A/D Converter Block Electrical Characteristics

( $V_{CC} = AV_{CC} = 3.15\text{ V to }3.6\text{ V}$ ,  $V_{SS} = AV_{SS} = 0.0\text{ V}$ ,  $AVRH = 3.15\text{ V to }3.6\text{ V}$ ,  $T_A = 0^\circ\text{C to }+70^\circ\text{C}$ )

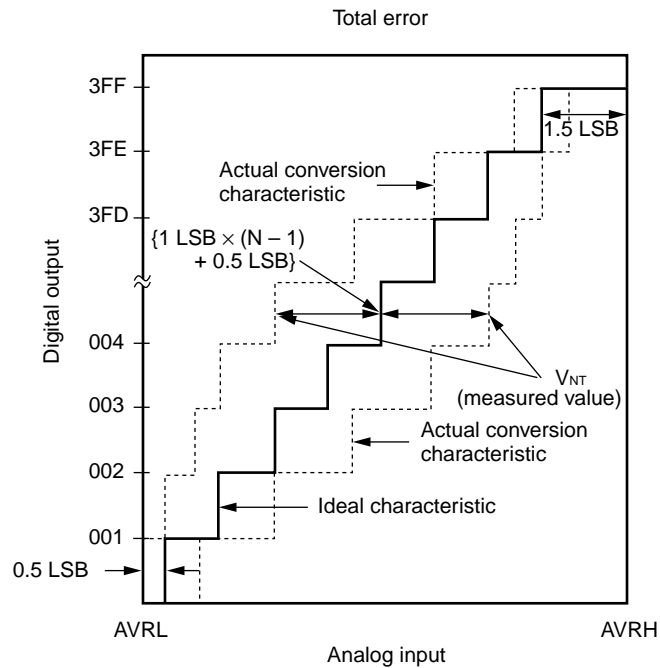
Parameter	Symbol	Pin name	Value			Unit
			Min.	Typ.	Max.	
Resolution	—	—	—	10	10	bit
Total error	—	—	—	—	$\pm 3.0$	LSB
Linearity error	—	—	—	—	$\pm 2.5$	LSB
Differentiation linearity error	—	—	—	—	$\pm 1.9$	LSB
Zero transition voltage	$V_{OT}$	AN0 to AN3	-1.5LSB	+0.5LSB	+2.5LSB	mV
Full-scale transition voltage	$V_{FST}$	AN0 to AN3	$AVRH - 4.5LSB$	$AVRH - 1.5LSB$	$AVRH + 0.5LSB$	mV
Conversion time	—	—	5.19 *1	—	—	$\mu\text{s}$
Analog port input current	$I_{AIN}$	AN0 to AN3	—	0.1	10	$\mu\text{A}$
Analog input voltage	$V_{AIN}$	AN0 to AN3	$AV_{SS}$	—	$AVRH$	V
Reference voltage	—	$AVRH$	$AV_{SS}$	—	$AV_{CC}$	V
Power supply current	$I_A$	$AV_{CC}$	—	4	—	mA
	$I_{AH}$	$AV_{CC}$	—	—	5 *2	$\mu\text{A}$
Reference voltage supply current	$I_R$	$AVRH$	—	110	—	$\mu\text{A}$
	$I_{RH}$	$AVRH$	—	—	5 *2	$\mu\text{A}$
Conversion variance between channels	—	AN0 to AN3	—	—	4	LSB

\*1:  $V_{CC} = AV_{CC} = 3.15\text{ V to }3.6\text{ V}$ , machine clock 25 MHz

\*2: Current value for A/D converters not in operation, CPU stop mode ( $V_{CC} = AV_{CC} = AVRH = 3.6\text{ V}$ )

## 7. A/D Converter Glossary

- Resolution  
The smallest change in analog voltage detected by A/D converter.
- Linearity error  
A deviation of actual conversion characteristic from a line connecting the zero-traction point (between “00 0000 0000” ↔ “00 0000 0001”) to the full-scale transition point (between “11 1111 1110” ↔ “11 1111 1111”).
- Differential linearity error  
A deviation of a step voltage for changing the LSB of output code from ideal input voltage.
- Total error  
A difference between actual value and theoretical value. The overall error includes zero-transition error, full-scale transition error and linearity error.



$$\text{Total error of digital output } N = \frac{V_{NT} - \{1 \text{ LSB} \times (N - 1) + 0.5 \text{ LSB}\}}{1 \text{ LSB}} \text{ [LSB]}$$

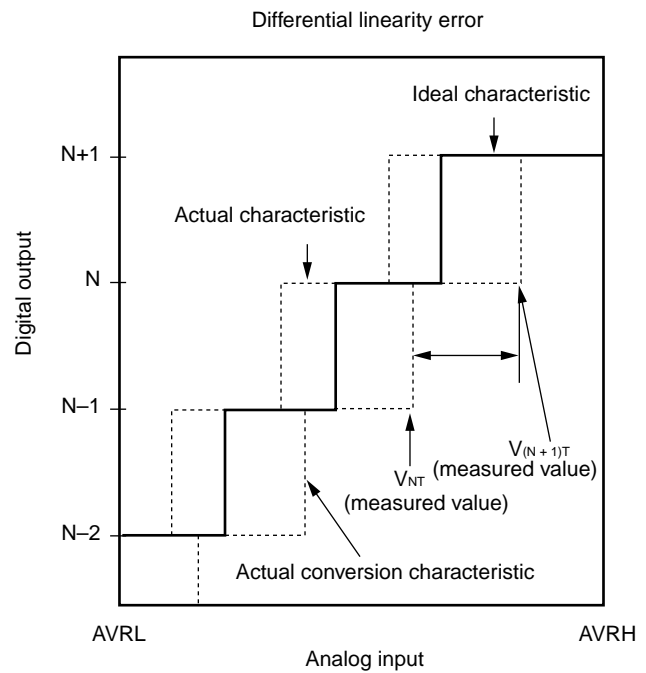
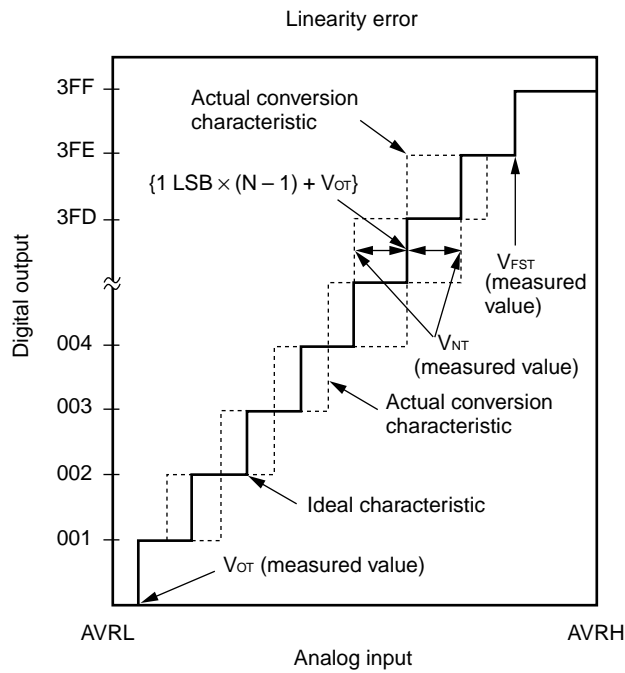
$$V_{OT} \text{ (ideal value)} = AVRL + 0.5 \text{ LSB [V]}$$

$$V_{FST} \text{ (ideal value)} = AVRH - 1.5 \text{ LSB [V]}$$

$V_{NT}$ : A voltage for causing transition of digital output from (N - 1) to N

(Continued)

(Continued)



$$\text{Linearity error of digital output } N = \frac{V_{NT} - \{1 \text{ LSB} \times (N - 1) + V_{OT}\}}{1 \text{ LSB}} \text{ [LSB]}$$

$$\text{Differential linearity error of digital output } N = \frac{V_{(N+1)T} - V_{NT}}{1 \text{ LSB}} - 1 \text{ [LSB]}$$

$$1 \text{ LSB} = \frac{V_{FST} - V_{OT}}{1022} \text{ [V]}$$

$$1 \text{ LSB (ideal value)} = \frac{AVRH - AVRL}{1022} \text{ [V]}$$

$V_{OT}$ : A voltage for causing transition of digital output from (000)<sub>H</sub> to (001)<sub>H</sub>

$V_{FST}$ : A voltage for causing transition of digital output from (3FE)<sub>H</sub> to (3FF)<sub>H</sub>

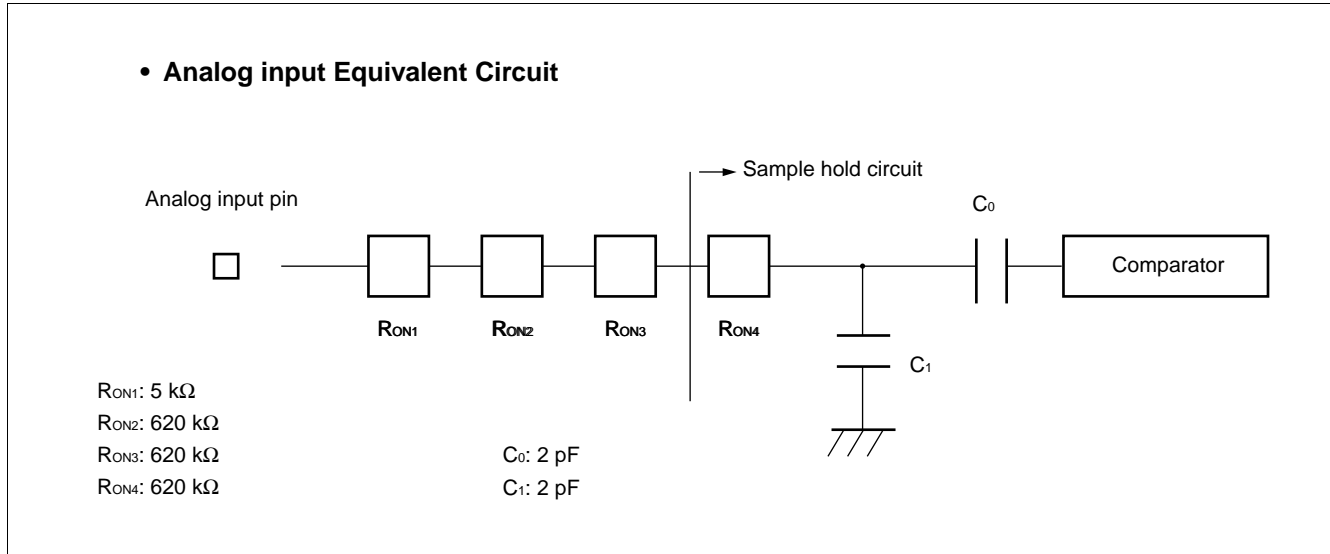
$V_{NT}$ : A voltage for causing transition of digital output from (N - 1)<sub>H</sub> to N

## 8. Notes on Using A/D Converter

Output impedance of external circuit of analog input under following conditions;

Output impedance of external circuit  $< 7 \text{ k}\Omega$ .

If output impedance of external circuit is too high, analog voltage sampling time may be too short for accurate sampling (sampling time is  $5.6 \mu\text{s}$  for a machine clock of 25 MHz).



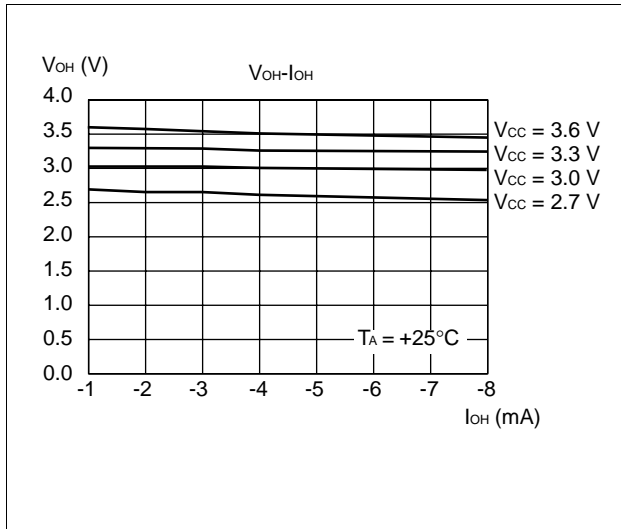
• **Error**

As the absolute value of  $|AVRH - AVRL|$  decreases, relative error increases.

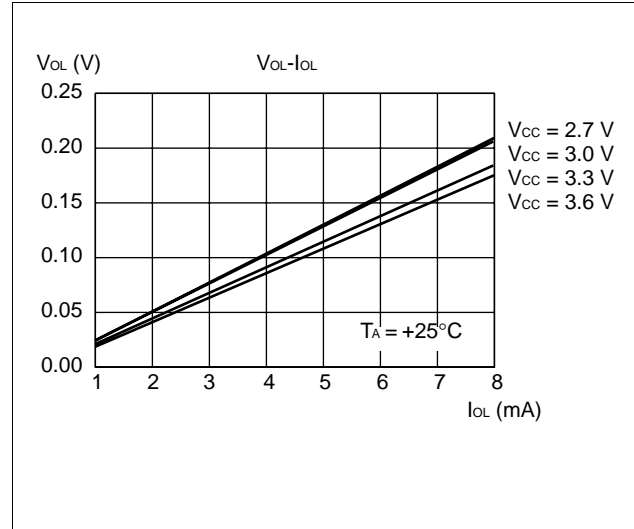


## EXAMPLE CHARACTERISTICS

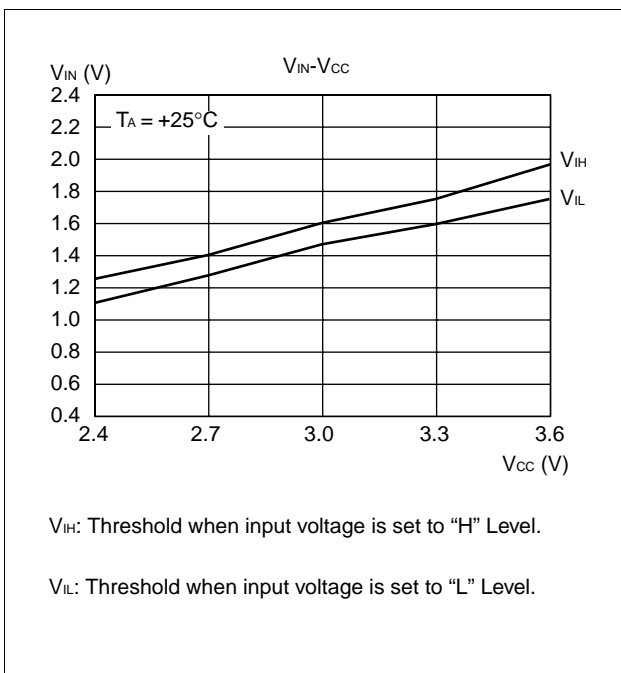
### (1) "H" Level Output Voltage



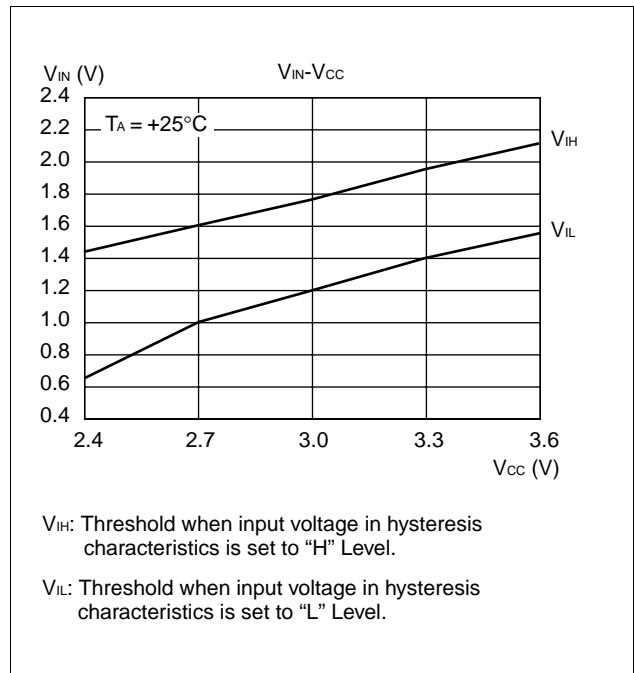
### (2) "L" Level Output Voltage



### (3) "H" Level Input Voltage/"L" Level Input Voltage (CMOS Input)

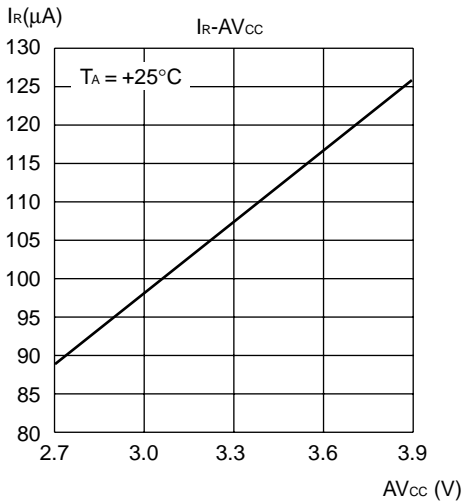
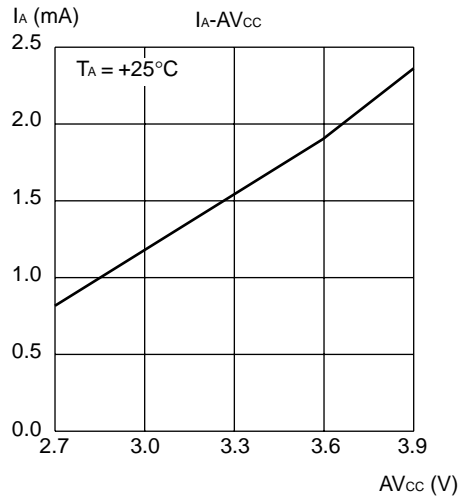
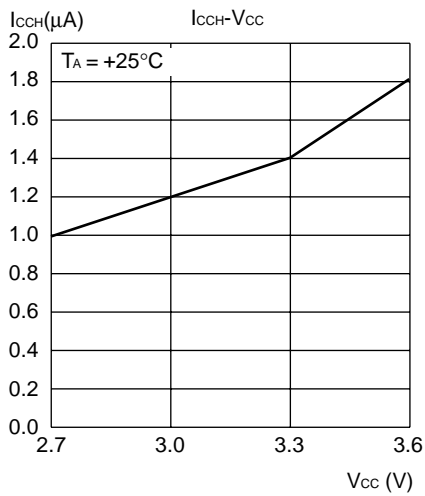
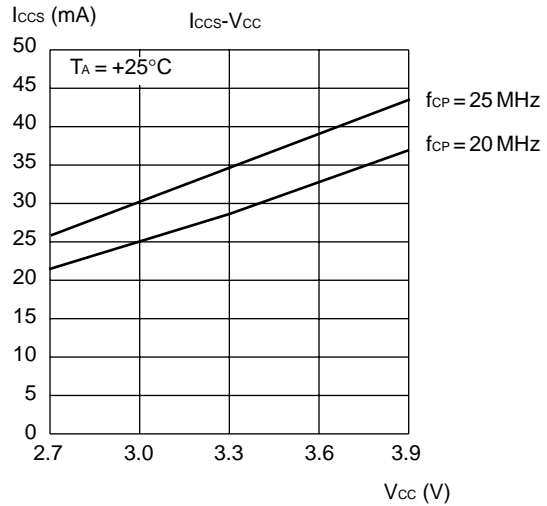
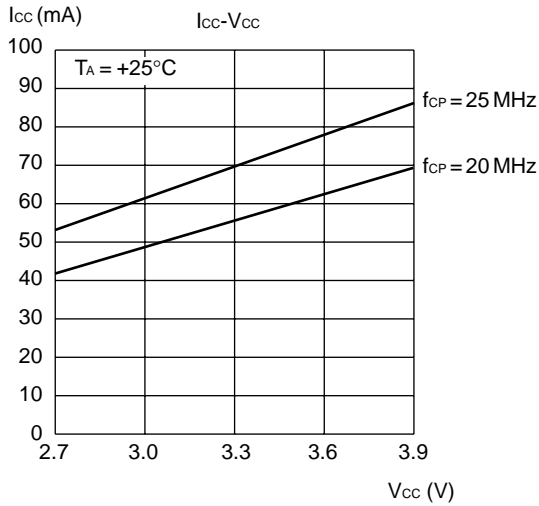


### (4) "H" Level Input Voltage/"L" Level Input Voltage (Hysteresis Input)

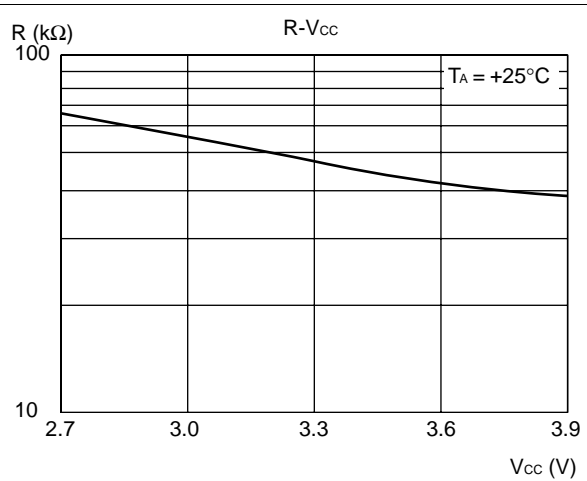


# MB91F109

## (5) Power Supply Current ( $f_{CP}$ = Internal clock frequency)



## (6) Pull-up Resistance



## ■ INSTRUCTIONS (165 INSTRUCTIONS)

### 1. How to Read Instruction Set Summary

Mnemonic	Type	OP	CYC	NZVC	Operation	Remarks
ADD Rj, Ri	A	A6	1	CCCC	$Ri + Rj \rightarrow Ri$	
* ADD #s5, Ri	C	A4	1	CCCC	$Ri + s5 \rightarrow Ri$	
,	,	,	,	,	,	
,	,	,	,	,	,	
↓	↓	↓	↓	↓	↓	
(1)	(2)	(3)	(4)	(5)	(6)	(7)

(1) Names of instructions

Instructions marked with \* are not included in CPU specifications. These are extended instruction codes added/extended at assembly language levels.

(2) Addressing modes specified as operands are listed in symbols.

Refer to "2. Addressing mode symbols" for further information.

(3) Instruction types

(4) Hexa-decimal expressions of instructions

(5) The number of machine cycles needed for execution

a: Memory access cycle and it has possibility of delay by Ready function.

b: Memory access cycle and it has possibility of delay by Ready function.

If an object register in a LD operation is referenced by an immediately following instruction, the interlock function is activated and number of cycles needed for execution increases.

c: If an immediately following instruction operates to an object of R15, SSP or USP in read/write mode or if the instruction belongs to instruction format A group, the interlock function is activated and number of cycles needed for execution increases by 1 to make the total number of 2 cycles needed.

d: If an immediately following instruction refers to MDH/MDL, the interlock function is activated and number of cycles needed for execution increases by 1 to make the total number of 2 cycles needed.

For a, b, c and d, minimum execution cycle is 1.

(6) Change in flag sign

- Flag change

C : Change

– : No change

0 : Clear

1 : Set

- Flag meanings

N : Negative flag

Z : Zero flag

V : Over flag

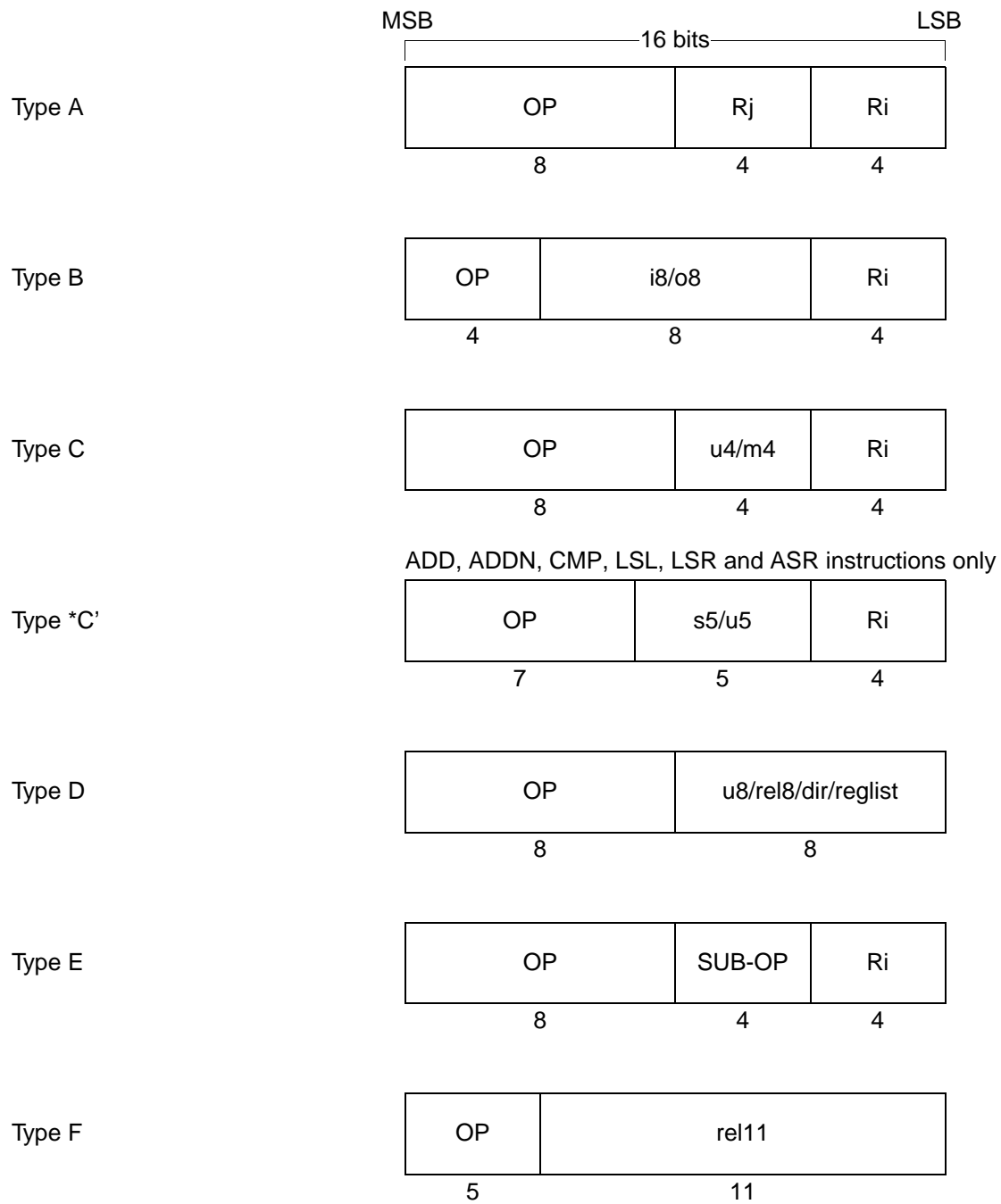
C : Carry flag

(7) Operation carried out by instruction

## 2. Addressing Mode Symbols

Ri	: Register direct (R0 to R15, AC, FP, SP)
Rj	: Register direct (R0 to R15, AC, FP, SP)
R13	: Register direct (R13, AC)
Ps	: Register direct (Program status register)
Rs	: Register direct (TBR, RP, SSP, USP, MDH, MDL)
CRi	: Register direct (CR0 to CR15)
CRj	: Register direct (CR0 to CR15)
#i8	: Unsigned 8-bit immediate (–128 to 255) Note: –128 to –1 are interpreted as 128 to 255
#i20	: Unsigned 20-bit immediate (–0X80000 to 0XFFFFFF) Note: –0X7FFFF to –1 are interpreted as 0X7FFFF to 0XFFFFFF
#i32	: Unsigned 32-bit immediate (–0X80000000 to 0xFFFFFFFF) Note: –0X80000000 to –1 are interpreted as 0X80000000 to 0xFFFFFFFF
#s5	: Signed 5-bit immediate (–16 to 15)
#s10	: Signed 10-bit immediate (–512 to 508, multiple of 4 only)
#u4	: Unsigned 4-bit immediate (0 to 15)
#u5	: Unsigned 5-bit immediate (0 to 31)
#u8	: Unsigned 8-bit immediate (0 to 255)
#u10	: Unsigned 10-bit immediate (0 to 1020, multiple of 4 only)
@dir8	: Unsigned 8-bit direct address (0 to 0XFF)
@dir9	: Unsigned 9-bit direct address (0 to 0X1FE, multiple of 2 only)
@dir10	: Unsigned 10-bit direct address (0 to 0X3FC, multiple of 4 only)
label9	: Signed 9-bit branch address (–0X100 to 0XFC, multiple of 2 only)
label12	: Signed 12-bit branch address (–0X800 to 0X7FC, multiple of 2 only)
label20	: Signed 20-bit branch address (–0X80000 to 0X7FFFF)
label32	: Signed 32-bit branch address (–0X80000000 to 0X7FFFFFFF)
@Ri	: Register indirect (R0 to R15, AC, FP, SP)
@Rj	: Register indirect (R0 to R15, AC, FP, SP)
@(R13, Rj)	: Register relative indirect (Rj: R0 to R15, AC, FP, SP)
@(R14, disp10)	: Register relative indirect (disp10: –0X200 to 0X1FC, multiple of 4 only)
@(R14, disp9)	: Register relative indirect (disp9: –0X100 to 0XFE, multiple of 2 only)
@(R14, disp8)	: Register relative indirect (disp8: –0X80 to 0X7F)
@(R15, udisp6)	: Register relative (udisp6: 0 to 60, multiple of 4 only)
@Ri+	: Register indirect with post-increment (R0 to R15, AC, FP, SP)
@R13+	: Register indirect with post-increment (R13, AC)
@SP+	: Stack pop
@–SP	: Stack push
(reglist)	: Register list

## 3. Instruction Types



## 4. Detailed Description of Instructions

### • Add/subtract operation instructions (10 instructions)

Mnemonic	Type	OP	Cycle	N Z V C	Operation	Remarks
ADD Rj, Ri	A	A6	1	C C C C	$Ri + Rj \rightarrow Ri$	MSB is interpreted as a sign in assembly language
* ADD #s5, Ri	C'	A4	1	C C C C	$Ri + s5 \rightarrow Ri$	
ADD #i4, Ri	C	A4	1	C C C C	$Ri + \text{extu}(i4) \rightarrow Ri$	Zero-extension
ADD2 #i4, Ri	C	A5	1	C C C C	$Ri + \text{extu}(i4) \rightarrow Ri$	Sign-extension
ADDC Rj, Ri	A	A7	1	C C C C	$Ri + Rj + c \rightarrow Ri$	Add operation with sign
ADDN Rj, Ri	A	A2	1	- - - -	$Ri + Rj \rightarrow Ri$	MSB is interpreted as a sign in assembly language
* ADDN #s5, Ri	C'	A0	1	- - - -	$Ri + s5 \rightarrow Ri$	
ADDN #i4, Ri	C	A0	1	- - - -	$Ri + \text{extu}(i4) \rightarrow Ri$	Zero-extension
ADDN2 #i4, Ri	C	A1	1	- - - -	$Ri + \text{extu}(i4) \rightarrow Ri$	Sign-extension
SUB Rj, Ri	A	AC	1	C C C C	$Ri - Rj \rightarrow Ri$	
SUBC Rj, Ri	A	AD	1	C C C C	$Ri - Rj - c \rightarrow Ri$	Subtract operation with carry
SUBN Rj, Ri	A	AE	1	- - - -	$Ri - Rj \rightarrow Ri$	

### • Compare operation instructions (3 instructions)

Mnemonic	Type	OP	Cycle	N Z V C	Operation	Remarks
CMP Rj, Ri	A	AA	1	C C C C	$Ri - Rj$	MSB is interpreted as a sign in assembly language
* CMP #s5, Ri	C'	A8	1	C C C C	$Ri - s5$	
CMP #i4, Ri	C	A8	1	C C C C	$Ri + \text{extu}(i4)$	Zero-extension
CMP2 #i4, Ri	C	A9	1	C C C C	$Ri + \text{extu}(i4)$	Sign-extension

### • Logical operation instructions (12 instructions)

Mnemonic	Type	OP	Cycle	N Z V C	Operation	Remarks
AND Rj, Ri	A	82	1	C C - -	$Ri \& = Rj$	Word
AND Rj, @Ri	A	84	1 + 2a	C C - -	$(Ri) \& = Rj$	Word
ANDH Rj, @Ri	A	85	1 + 2a	C C - -	$(Ri) \& = Rj$	Half word
ANDB Rj, @Ri	A	86	1 + 2a	C C - -	$(Ri) \& = Rj$	Byte
OR Rj, Ri	A	92	1	C C - -	$Ri   = Rj$	Word
OR Rj, @Ri	A	94	1 + 2a	C C - -	$(Ri)   = Rj$	Word
ORH Rj, @Ri	A	95	1 + 2a	C C - -	$(Ri)   = Rj$	Half word
ORB Rj, @Ri	A	96	1 + 2a	C C - -	$(Ri)   = Rj$	Byte
EOR Rj, Ri	A	9A	1	C C - -	$Ri \wedge = Rj$	Word
EOR Rj, @Ri	A	9C	1 + 2a	C C - -	$(Ri) \wedge = Rj$	Word
EORH Rj, @Ri	A	9D	1 + 2a	C C - -	$(Ri) \wedge = Rj$	Half word
EORB Rj, @Ri	A	9E	1 + 2a	C C - -	$(Ri) \wedge = Rj$	Byte

## • Bit manipulation arithmetic instructions (8 instructions)

Mnemonic	Type	OP	Cycle	N Z V C	Operation	Remarks
BANDL #u4, @Ri (u4: 0 to 0FH)	C	80	1 + 2a	--- --	(Ri) & = (F0H + u4)	Manipulate lower 4 bits
BANDH #u4, @Ri (u4: 0 to 0FH)	C	81	1 + 2a	--- --	(Ri) & = ((u4<<4) + 0FH)	Manipulate upper 4 bits
* BAND #u8, @Ri	*1		-	----	(Ri) & = u8	
BORL #u4, @Ri (u4: 0 to 0FH)	C	90	1 + 2a	--- --	(Ri)   = u4	Manipulate lower 4 bits
BORH #u4, @Ri (u4: 0 to 0FH)	C	91	1 + 2a	--- --	(Ri)   = (u4<<4)	Manipulate upper 4 bits
* BOR #u8, @Ri	*2		-	----	(Ri)   = u8	
BEORL #u4, @Ri (u4: 0 to 0FH)	C	98	1 + 2a	--- --	(Ri) ^ = u4	Manipulate lower 4 bits
BEORH #u4, @Ri (u4: 0 to 0FH)	C	99	1 + 2a	--- --	(Ri) ^ = (u4<<4)	Manipulate upper 4 bits
* BEOR #u8, @Ri	*3		-	----	(Ri) ^ = u8	
BTSTL #u4, @Ri (u4: 0 to 0FH)	C	88	2 + a	0 C --	(Ri) & u4	Test lower 4 bits
BTSTH #u4, @Ri (u4: 0 to 0FH)	C	89	2 + a	C C --	(Ri) & (u4<<4)	Test upper 4 bits

\*1: Assembler generates BANDL if result of logical operation “u8&0x0F” leaves an active (set) bit and generates BANDH if “u8&0xF0” leaves an active bit. Depending on the value in the “u8” format, both BANDL and BANDH may be generated.

\*2: Assembler generates BORL if result of logical operation “u8&0x0F” leaves an active (set) bit and generates BORH if “u8&0xF0” leaves an active bit.

\*3: Assembler generates BEORL if result of logical operation “u8&0x0F” leaves an active (set) bit and generates BEORH if “u8&0xF0” leaves an active bit.

## • Add/subtract operation instructions (10 instructions)

Mnemonic	Type	OP	Cycle	N Z V C	Operation	Remarks
MUL Rj, Ri	A	AF	5	C C C -	Rj × Ri → MDH, MDL	32-bit × 32-bit = 64-bit
MULU Rj, Ri	A	AB	5	C C C -	Rj × Ri → MDH, MDL	Unsigned
MULH Rj, Ri	A	BF	3	C C --	Rj × Ri → MDL	16-bit × 16-bit = 32-bit
MULUH Rj, Ri	A	BB	3	C C --	Rj × Ri → MDL	Unsigned
DIVOS Ri	E	97 - 4	1	----		Step calculation
DIVOU Ri	E	97 - 5	1	----		32-bit/32-bit = 32-bit
DIV1 Ri	E	97 - 6	d	- C - C		
DIV2 Ri	E	97 - 7	1	- C - C		
DIV3 Ri	E	9F - 6	1	----		
DIV4S Ri	E	9F - 7	1	----		
* DIV Ri	*1		-	- C - C	MDL/Ri → MDL, MDL%Ri → MDH	
* DIVU Ri	*2		-	- C - C	MDL/Ri → MDL, MDL%Ri → MDH	Unsigned

\*1: DIVOS, DIV1 × 32, DIV2, DIV3 and DIV4S are generated. A total instruction code length of 72 bytes.

\*2: DIVOU and DIV1 × 32 are generated. A total instruction code length of 66 bytes.

# MB91F109

## • Shift arithmetic instructions (9 instructions)

Mnemonic	Type	OP	Cycle	N Z V C	Operation	Remarks
LSL Rj, Ri	A	B6	1	C C - C	$Ri \ll Rj \rightarrow Ri$	Logical shift
* LSL #u5, Ri	C'	B4	1	C C - C	$Ri \ll u5 \rightarrow Ri$	
LSL #u4, Ri	C	B4	1	C C - C	$Ri \ll u4 \rightarrow Ri$	
LSL2 #u4, Ri	C	B5	1	C C - C	$Ri \ll (u4 + 16) \rightarrow Ri$	
LSR Rj, Ri	A	B2	1	C C - C	$Ri \gg Rj \rightarrow Ri$	Logical shift
* LSR #u5, Ri	C'	B0	1	C C - C	$Ri \gg u5 \rightarrow Ri$	
LSR #u4, Ri	C	B0	1	C C - C	$Ri \gg u4 \rightarrow Ri$	
LSR2 #u4, Ri	C	B1	1	C C - C	$Ri \gg (u4 + 16) \rightarrow Ri$	
ASR Rj, Ri	A	BA	1	C C - C	$Ri \gg Rj \rightarrow Ri$	Logical shift
* ASR #u5, Ri	C'	B8	1	C C - C	$Ri \gg u5 \rightarrow Ri$	
ASR #u4, Ri	C	B8	1	C C - C	$Ri \gg u4 \rightarrow Ri$	
ASR2 #u4, Ri	C	B9	1	C C - C	$Ri \gg (u4 + 16) \rightarrow Ri$	

## • Immediate value data transfer instruction (immediate value set/16-bit/32-bit immediate value transfer instruction) (3 instructions)

Mnemonic	Type	OP	Cycle	N Z V C	Operation	Remarks
LDI: 32 #i32, Ri	E	9F - 8	3	- - - -	$i32 \rightarrow Ri$	Upper 12 bits are zero-extended
LDI: 20 #i20, Ri	C	9B	2	- - - -	$i20 \rightarrow Ri$	
LDI: 8 #i8, Ri	B	C0	1	- - - -	$i8 \rightarrow Ri$	
* LDI # {i8   i20   i32}, Ri					$\{i8   i20   i32\} \rightarrow Ri$	Upper 24 bits are zero-extended

\*1: If an immediate value is given in absolute, assembler automatically makes i8, i20 or i32 selection.  
If an immediate value contains relative value or external reference, assembler selects i32.

## • Memory load instructions (13 instructions)

Mnemonic	Type	OP	Cycle	N Z V C	Operation	Remarks
LD @Rj, Ri	A	04	b	- - - -	$(Rj) \rightarrow Ri$	Rs: Special-purpose register
LD @(R13, Rj), Ri	A	00	b	- - - -	$(R13 + Rj) \rightarrow Ri$	
LD @(R14, disp10), Ri	B	20	b	- - - -	$(R14 + disp10) \rightarrow Ri$	
LD @(R15, udisp6), Ri	C	03	b	- - - -	$(R15 + udisp6) \rightarrow Ri$	
LD @R15 +, Ri	E	07 - 0	b	- - - -	$(R15) \rightarrow Ri, R15 + = 4$	
LD @R15 +, Rs	E	07 - 8	b	- - - -	$(R15) \rightarrow Rs, R15 + = 4$	
LD @R15 +, PS	E	07 - 9	1 + a + b	C C C C	$(R15) \rightarrow PS, R15 + = 4$	
LDUH @Rj, Ri	A	05	b	- - - -	$(Rj) \rightarrow Ri$	Zero-extension
LDUH @(R13, Rj), Ri	A	01	b	- - - -	$(R13 + Rj) \rightarrow Ri$	Zero-extension
LDUH @(R14, disp9), Ri	B	40	b	- - - -	$(R14 + disp9) \rightarrow Ri$	Zero-extension
LDUB @Rj, Ri	A	06	b	- - - -	$(Rj) \rightarrow Ri$	Zero-extension
LDUB @(R13, Rj), Ri	A	02	b	- - - -	$(R13 + Rj) \rightarrow Ri$	Zero-extension
LDUB @(R14, disp8), Ri	B	60	b	- - - -	$(R14 + disp8) \rightarrow Ri$	Zero-extension

Note :The relations between o8 field of TYPE-B and u4 field of TYPE-C in the instruction format and assembler description from disp8 to disp10 are as follows:  
 disp8  $\rightarrow$  o8 = disp8:Each disp is a code extension.  
 disp9  $\rightarrow$  o8 = disp9>>1:Each disp is a code extension.  
 disp10  $\rightarrow$  o8 = disp10>>2:Each disp is a code extension.  
 udisp6  $\rightarrow$  u4 = udisp6>>2:udisp4 is a 0 extension.



• Memory store instructions (13 instructions)

Mnemonic		Type	OP	Cycle	N Z V C	Operation	Remarks
ST	Ri, @Rj	A	14	a	----	Ri → (Rj)	Word
ST	Ri, @(R13, Rj)	A	10	a	----	Ri → (R13 + Rj)	Word
ST	Ri, @(R14, disp10)	B	30	a	----	Ri → (R14 + disp10)	Word
ST	Ri, @(R15, udisp6)	C	13	a	----	Ri → (R15 + usidp6)	
ST	Ri, @-R15	E	17-0	a	----	R15 -- = 4, Ri → (R15)	Rs: Special-purpose register
ST	Rs, @-R15	E	17-8	a	----	R15 -- = 4, Rs → (R15)	
ST	PS, @-R15	E	17-9	a	----	R15 -- = 4, PS → (R15)	
STH	Ri, @Rj	A	15	a	----	Ri → (Rj)	Half word
STH	Ri, @(R13, Rj)	A	11	a	----	Ri → (R13 + Rj)	Half word
STH	Ri, @(R14, disp9)	B	50	a	----	Ri → (R14 + disp9)	Half word
STB	Ri, @Rj	A	16	a	----	Ri → (Rj)	Byte
STB	Ri, @(R13, Rj)	A	12	a	----	Ri → (R13 + Rj)	Byte
STB	Ri, @(R14, disp8)	B	70	a	----	Ri → (R14 + disp8)	Byte

Note :The relations between o8 field of TYPE-B and u4 field of TYPE-C in the instruction format and assembler description from disp8 to disp10 are as follows:

disp8 → o8 = disp8:Each disp is a code extension.

disp9 → o8 = disp9>>1:Each disp is a code extension.

disp10 → o8 = disp10>>2:Each disp is a code extension.

udisp6 → u4 = udisp6>>2:udisp4 is a 0 extension.

• Transfer instructions between registers/special-purpose registers transfer instructions (5 instructions)

Mnemonic		Type	OP	Cycle	N Z V C	Operation	Remarks
MOV	Rj, Ri	A	8B	1	----	Rj → Ri	Transfer between general-purpose registers
MOV	Rs, Ri	A	B7	1	----	Rs → Ri	Rs: Special-purpose register
MOV	Ri, Rs	A	B3	1	----	Ri → Rs	Rs: Special-purpose register
MOV	PS, Ri	E	17-1	1	----	PS → Ri	
MOV	Ri, PS	E	07-1	c	CCCC	Ri → PS	

# MB91F109

• Non-delay normal branch instructions (23 instructions)

Mnemonic	Type	OP	Cycle	N Z V C	Operation	Remarks
JMP @Ri	E	97 - 0	2	- - - -	Ri → PC	
CALL label12	F	D0	2	- - - -	PC + 2 → RP, PC + 2 + rel11 × 2 → PC	
CALL @Ri	E	97 - 1	2	- - - -	PC + 2 → RP, Ri → PC	
RET	E	97 - 2	2	- - - -	RP → PC	Return
INT #u8	D	1F	3+3a	- - - -	SSP - = 4, PS → (SSP), SSP - = 4, PC + 2 → (SSP), 0 → I flag, 0 → S flag, (TBR + 3FC - u8 × 4) → PC	
INTE	E	9F - 3	3 + 3a	- - - -	SSP - = 4, PS → (SSP), SSP - = 4, PC + 2 → (SSP), 0 → S flag, (TBR + 3D8 - u8 × 4) → PC	For emulator
RETI	E	97 - 3	2 + 2a	C C C C	(R15) → PC, R15 - = 4, (R15) → PS, R15 - = 4	
BNO label9	D	E1	1	- - - -	Non-branch	
BRA label9	D	E0	2	- - - -	PC + 2 + rel8 × 2 → PC	
BEQ label9	D	E2	2/1	- - - -	PCif Z = = 1	
BNE label9	D	E3	2/1	- - - -	PCif Z = = 0	
BC label9	D	E4	2/1	- - - -	PCif C = = 1	
BNC label9	D	E5	2/1	- - - -	PCif C = = 0	
BN label9	D	E6	2/1	- - - -	PCif N = = 1	
BP label9	D	E7	2/1	- - - -	PCif N = = 0	
BV label9	D	E8	2/1	- - - -	PCif V = = 1	
BNV label9	D	E9	2/1	- - - -	PCif V = = 0	
BLT label9	D	EA	2/1	- - - -	PCif V xor N = = 1	
BGE label9	D	EB	2/1	- - - -	PCif V xor N = = 0	
BLE label9	D	EC	2/1	- - - -	PCif (V xor N) or Z = = 1	
BGT label9	D	ED	2/1	- - - -	PCif (V xor N) or Z = = 0	
BLS label9	D	EE	2/1	- - - -	PCif C or Z = = 1	
BHI label9	D	EF	2/1	- - - -	PCif C or Z = = 0	

- Notes:
- "2/1" in cycle sections indicates that 2 cycles are needed for branch and 1 cycle needed for non-branch.
  - The relations between rel8 field of TYPE-D and rel11 field of TYPE-F in the instruction format and assembler discription label9 and label12 are as follows.  
 $label9 \rightarrow rel8 = (label9 - PC - 2)/2$   
 $label12 \rightarrow rel11 = (label12 - PC - 2)/2$
  - RETI must be operated while S flag = 0.

• Branch instructions with delays (20 instructions)

Mnemonic	Type	OP	Cycle	N	Z	V	C	Operation	Remarks
JMP:D @Ri	E	9F - 0	1	-	-	-	-	Ri → PC	
CALL:D label12	F	D8	1	-	-	-	-	PC + 4 → RP, PC + 2 + rel11 × 2 → PC	
CALL:D @Ri	E	9F - 1	1	-	-	-	-	PC + 4 → RP, Ri → PC	
RET:D	E	9F - 2	1	-	-	-	-	RP → PC	Return
BNO:D label9	D	F1	1	-	-	-	-	Non-branch	
BRA:D label9	D	F0	1	-	-	-	-	PC + 2 + rel8 × 2 → PC	
BEQ:D label9	D	F2	1	-	-	-	-	PCif Z == 1	
BNE:D label9	D	F3	1	-	-	-	-	PCif Z == 0	
BC:D label9	D	F4	1	-	-	-	-	PCif C == 1	
BNC:D label9	D	F5	1	-	-	-	-	PCif C == 0	
BN:D label9	D	F6	1	-	-	-	-	PCif N == 1	
BP:D label9	D	F7	1	-	-	-	-	PCif N == 0	
BV:D label9	D	F8	1	-	-	-	-	PCif V == 1	
BNV:D label9	D	F9	1	-	-	-	-	PCif V == 0	
BLT:D label9	D	FA	1	-	-	-	-	PCif V xor N == 1	
BGE:D label9	D	FB	1	-	-	-	-	PCif V xor N == 0	
BLE:D label9	D	FC	1	-	-	-	-	PCif (V xor N) or Z == 1	
BGT:D label9	D	FD	1	-	-	-	-	PCif (V xor N) or Z == 0	
BLS:D label9	D	FE	1	-	-	-	-	PCif C or Z == 1	
BHI:D label9	D	FF	1	-	-	-	-	PCif C or Z == 0	

Notes: • The relations between rel8 field of TYPE-D and rel11 field of TYPE-F in the instruction format and assembler discription label9 and label12 are as follows.

$$\text{label9} \rightarrow \text{rel8} = (\text{label9} - \text{PC} - 2)/2$$

$$\text{label12} \rightarrow \text{rel11} = (\text{label12} - \text{PC} - 2)/2$$

- Delayed branch operation always executes next instruction (delay slot) before making a branch.
- Instructions allowed to be stored in the delay slot must meet one of the following conditions. If the other instruction is stored, this device may operate other operation than defined.
  - The instruction described “1” in the other cycle column than branch instruction.
  - The instruction described “a”, “b”, “c” or “d” in the cycle column.

# MB91F109

## • Direct addressing instructions

Mnemonic	Type	OP	Cycle	N Z V C	Operation	Remarks
DMOV @dir10, R13	D	08	b	----	(dir10) → R13	Word
DMOV R13, @dir10	D	18	a	----	R13 → (dir10)	Word
DMOV @dir10, @R13+	D	0C	2a	----	(dir10) → (R13), R13 += 4	Word
DMOV @R13+, @dir10	D	1C	2a	----	(R13) → (dir10), R13 += 4	Word
DMOV @dir10, @-R15	D	0B	2a	----	R15 -= 4, (dir10) → (R15)	Word
DMOV @R15+, @dir10	D	1B	2a	----	(R15) → (dir10), R15 += 4	Word
DMOVH @dir9, R13	D	09	b	----	(dir9) → R13	Half word
DMOVH R13, @dir9	D	19	a	----	R13 → (dir9)	Half word
DMOVH @dir9, @R13+	D	0D	2a	----	(dir9) → (R13), R13 += 2	Half word
DMOVH @R13+, @dir9	D	1D	2a	----	(R13) → (dir9), R13 += 2	Half word
DMOVB @dir8, R13	D	0A	b	----	(dir8) → R13	Byte
DMOVB R13, @dir8	D	1A	a	----	R13 → (dir8)	Byte
DMOVB @dir8, @R13+	D	0E	2a	----	(dir8) → (R13), R13 ++	Byte
DMOVB @R13+, @dir8	D	1E	2a	----	(R13) → (dir8), R13 ++	Byte

Note :The relations between the dir field of TYPE-D in the instruction format and the assembler description from disp8 to disp10 are as follows:  
 disp8 → dir + disp8:Each disp is a code extension  
 disp9 → dir = disp9>>1:Each disp is a code extension  
 disp10 → dir = disp10>>2:Each disp is a code extension

## • Resource instructions (2 instructions)

Mnemonic	Type	OP	Cycle	N Z V C	Operation	Remarks
LDRES @Ri+, #u4	C	BC	a	----	(Ri) → u4 resource Ri += 4	u4: Channel number
STRES #u4, @Ri+	C	BD	a	----	u4 resource → (Ri) Ri += 4	u4: Channel number

## • Co-processor instructions (4 instructions)

Mnemonic	Type	OP	Cycle	N Z V C	Operation	Remarks
COPOP #u4, #CC, CRj, CRi	E	9F - C	2 + a	----	Calculation	
COPLD #u4, #CC, Rj, CRi	E	9F - D	1 + 2a	----	Rj → CRi	
COPST #u4, #CC, CRj, Ri	E	9F - E	1 + 2a	----	CRj → Ri	
COPSV #u4, #CC, CRj, Ri	E	9F - F	1 + 2a	----	CRj → Ri	No error traps

• Other instructions (16 instructions)

Mnemonic	Type	OP	Cycle	N Z V C	Operation	Remarks	
NOP	E	9F – A	1	– – – –	No changes		
ANDCCR #u8	D	83	c	C C C C	CCR and u8 → CCR		
ORCCR #u8	D	93	c	C C C C	CCR or u8 → CCR		
STILM #u8	D	87	1	– – – –	i8 → ILM	Set ILM immediate value	
ADDSP #s10	*1	D	A3	1	– – – –	R15 += s10	ADD SP instruction
EXTSB Ri	E	97 – 8	1	– – – –	Sign extension 8 → 32 bits		
EXTUB Ri	E	97 – 9	1	– – – –	Zero extension 8 → 32 bits		
EXTSH Ri	E	97 – A	1	– – – –	Sign extension 16 → 32 bits		
EXTUH Ri	E	97 – B	1	– – – –	Zero extension 16 → 32 bits		
LDM0 (reglist)	D	8C	*4	– – – –	(R15) → reglist, R15 increment	Load-multi R0 to R7	
LDM1 (reglist)	D	8D	*4	– – – –	(R15) → reglist, R15 increment	Load-multi R8 to R15	
* LDM (reglist)	*3		–	– – – –	(R15 + +) → reglist,	Load-multi R0 to R15	
STM0 (reglist)	D	8E	*6	– – – –	R15 decrement, reglist → (R15)	Store-multi R0 to R7	
STM1 (reglist)	D	8F	*6	– – – –	R15 decrement, reglist → (R15)	Store-multi R8 to R15	
* STM2 (reglist)	*5		–	– – – –	reglist → (R15 + +)	Store-multi R0 to R15	
ENTER #u10	*2	D	0F	1+a	– – – –	R14 → (R15 – 4), R15 – 4 → R14, R15 – u10 → R15	Entrance processing of function
LEAVE	E	9F – 9	b	– – – –	R14 + 4 → R15, (R15 – 4) → R14	Exit processing of function	
XCHB @Rj, Ri	A	8A	2a	– – – –	Ri → TEMP, (Rj) → Ri, TEMP → (Rj)	For SEMAFO management Byte data	

- \*1: In the ADDSP instruction, the reference between u8 of TYPE-D in the instruction format and assembler description s10 is as follows.  
s10 → s8 = s10>>2
- \*2: In the ENTER instruction, the reference between i8 of TYPE-C in the instruction format and assembler description u10 is as follows.  
u10 → u8 = u10>>2
- \*3: If either of R0 to R7 is specified in reglist, assembler generates LDM0. If either of R8 to R15 is specified, assembler generates LDM1. Both LDM0 and LDM1 may be generated.
- \*4: The number of cycles needed for execution of LDM0 (reglist) and LDM1 (reglist) is given by the following calculation;  $a \times (n - 1) + b + 1$  when “n” is number of registers specified.
- \*5: If either of R0 to R7 is specified in reglist, assembler generates STM0. If either of R8 to R15 is specified, assembler generates STM1. Both STM0 and STM1 may be generated.
- \*6: The number of cycles needed for execution of STM0 (reglist) and STM1 (reglist) is given by the following calculation;  $a \times n + 1$  when “n” is number of registers specified.

# MB91F109

## • 20-bit normal branch macro instructions

Mnemonic	Operation	Remarks
* CALL20 label20, Ri	Next instruction address → RP, label20 → PC	Ri: Temporary register *1
* BRA20 label20, Ri	label20 → PC	Ri: Temporary register *2
* BEQ20 label20, Ri	if (Z == 1) then label20 → PC	Ri: Temporary register *3
* BNE20 label20, Ri	ifs/Z == 0	Ri: Temporary register *3
* BC20 label20, Ri	ifs/C == 1	Ri: Temporary register *3
* BNC20 label20, Ri	ifs/C == 0	Ri: Temporary register *3
* BN20 label20, Ri	ifs/N == 1	Ri: Temporary register *3
* BP20 label20, Ri	ifs/N == 0	Ri: Temporary register *3
* BV20 label20, Ri	ifs/V == 1	Ri: Temporary register *3
* BNV20 label20, Ri	ifs/V == 0	Ri: Temporary register *3
* BLT20 label20, Ri	ifs/V xor N == 1	Ri: Temporary register *3
* BGE20 label20, Ri	ifs/V xor N == 0	Ri: Temporary register *3
* BLE20 label20, Ri	ifs/(V xor N) or Z == 1	Ri: Temporary register *3
* BGT20 label20, Ri	ifs/(V xor N) or Z == 0	Ri: Temporary register *3
* BLS20 label20, Ri	ifs/C or Z == 1	Ri: Temporary register *3
* BHI20 label20, Ri	ifs/C or Z == 0	Ri: Temporary register *3

### \*1: CALL20

- (1) If label20 – PC – 2 is between –0x800 and +0x7fe, instruction is generated as follows;

```
CALL label12
```

- (2) If label20 – PC – 2 is outside of the range given in (1) or includes external reference symbol, instruction is generated as follows;

```
LDI:20 #label20, Ri
CALL @Ri
```

### \*2: BRA20

- (1) If label20 – PC – 2 is between –0x100 and +0xfe, instruction is generated as follows;

```
BRA label9
```

- (2) If label20 – PC – 2 is outside of the range given in (1) or includes external reference symbol, instruction is generated as follows;

```
LDI:20 #label20, Ri
JMP @Ri
```

### \*3: Bcc20 (BEQ20 to BHI20)

- (1) If label20 – PC – 2 is between –0x100 and +0xfe, instruction is generated as follows;

```
Bcc label9
```

- (2) If label20 – PC – 2 is outside of the range given in (1) or includes external reference symbol, instruction is generated as follows;

```
Bxcc false xcc is a revolt condition of cc
LDI:20 #label20, Ri
JMP @Ri
```

false:

• 20-bit delayed branch macro instructions

Mnemonic	Operation	Remarks
* CALL20:D label20, Ri	Next instruction address + 2 → RP, label20 → PC	Ri: Temporary register *1
* BRA20:D label20, Ri	label20 → PC	Ri: Temporary register *2
* BEQ20:D label20, Ri	if (Z == 1) then label20 → PC	Ri: Temporary register *3
* BNE20:D label20, Ri	ifs/Z == 0	Ri: Temporary register *3
* BC20:D label20, Ri	ifs/C == 1	Ri: Temporary register *3
* BNC20:D label20, Ri	ifs/C == 0	Ri: Temporary register *3
* BN20:D label20, Ri	ifs/N == 1	Ri: Temporary register *3
* BP20:D label20, Ri	ifs/N == 0	Ri: Temporary register *3
* BV20:D label20, Ri	ifs/V == 1	Ri: Temporary register *3
* BNV20:D label20, Ri	ifs/V == 0	Ri: Temporary register *3
* BLT20:D label20, Ri	ifs/V xor N == 1	Ri: Temporary register *3
* BGE20:D label20, Ri	ifs/V xor N == 0	Ri: Temporary register *3
* BLE20:D label20, Ri	ifs/(V xor N) or Z == 1	Ri: Temporary register *3
* BGT20:D label20, Ri	ifs/(V xor N) or Z == 0	Ri: Temporary register *3
* BLS20:D label20, Ri	ifs/C or Z == 1	Ri: Temporary register *3
* BHI20:D label20, Ri	ifs/C or Z == 0	Ri: Temporary register *3

\*1: CALL20:D

- (1) If label20 – PC – 2 is between –0x800 and +0x7fe, instruction is generated as follows;

CALL:D label12

- (2) If label20 – PC – 2 is outside of the range given in (1) or includes external reference symbol, instruction is generated as follows;

LDI:20 #label20, Ri

CALL:D @Ri

\*2: BRA20:D

- (1) If label20 – PC – 2 is between –0x100 and +0xfe, instruction is generated as follows;

BRA:D label9

- (2) If label20 – PC – 2 is outside of the range given in (1) or includes external reference symbol, instruction is generated as follows;

LDI:20 #label20, Ri

JMP:D @Ri

\*3: Bcc20:D (BEQ20:D to BHI20:D)

- (1) If label20 – PC – 2 is between –0x100 and +0xfe, instruction is generated as follows;

Bcc:D label9

- (2) If label20 – PC – 2 is outside of the range given in (1) or includes external reference symbol, instruction is generated as follows;

Bxcc false            xcc is a revolt condition of cc

LDI:20 #label20, Ri

JMP:D @Ri

false:

# MB91F109

## • 32-bit normal macro branch instructions

Mnemonic	Operation	Remarks
* CALL32 label32, Ri	Next instruction address → RP, label32 → PC	Ri: Temporary register *1
* BRA32 label32, Ri	label32 → PC	Ri: Temporary register *2
* BEQ32 label32, Ri	if (Z == 1) then label32 → PC	Ri: Temporary register *3
* BNE32 label32, Ri	ifs/Z == 0	Ri: Temporary register *3
* BC32 label32, Ri	ifs/C == 1	Ri: Temporary register *3
* BNC32 label32, Ri	ifs/C == 0	Ri: Temporary register *3
* BN32 label32, Ri	ifs/N == 1	Ri: Temporary register *3
* BP32 label32, Ri	ifs/N == 0	Ri: Temporary register *3
* BV32 label32, Ri	ifs/V == 1	Ri: Temporary register *3
* BNV32 label32, Ri	ifs/V == 0	Ri: Temporary register *3
* BLT32 label32, Ri	ifs/V xor N == 1	Ri: Temporary register *3
* BGE32 label32, Ri	ifs/V xor N == 0	Ri: Temporary register *3
* BLE32 label32, Ri	ifs/(V xor N) or Z == 1	Ri: Temporary register *3
* BGT32 label32, Ri	ifs/(V xor N) or Z == 0	Ri: Temporary register *3
* BLS32 label32, Ri	ifs/C or Z == 1	Ri: Temporary register *3
* BHI32 label32, Ri	ifs/C or Z == 0	Ri: Temporary register *3

### \*1: CALL32

- (1) If label32 – PC – 2 is between –0x800 and +0x7fe, instruction is generated as follows;

```
CALL label12
```

- (2) If label32 – PC – 2 is outside of the range given in (1) or includes external reference symbol, instruction is generated as follows;

```
LDI:32 #label32, Ri
CALL @Ri
```

### \*2: BRA32

- (1) If label32 – PC – 2 is between –0x100 and +0xfe, instruction is generated as follows;

```
BRA label9
```

- (2) If label32 – PC – 2 is outside of the range given in (1) or includes external reference symbol, instruction is generated as follows;

```
LDI:32 #label32, Ri
JMP @Ri
```

### \*3: Bcc32 (BEQ32 to BHI32)

- (1) If label32 – PC – 2 is between –0x100 and +0xfe, instruction is generated as follows;

```
Bcc label9
```

- (2) If label32 – PC – 2 is outside of the range given in (1) or includes external reference symbol, instruction is generated as follows;

```
Bxcc false xcc is a revolt condition of cc
LDI:32 #label32, Ri
JMP @Ri
```

false:



• 32-bit delayed macro branch instructions

Mnemonic	Operation	Remarks
* CALL32:D label32, Ri	Next instruction address + 2 → RP, label32 → PC	Ri: Temporary register *1
* BRA32:D label32, Ri	label32 → PC	Ri: Temporary register *2
* BEQ32:D label32, Ri	if (Z == 1) then label32 → PC	Ri: Temporary register *3
* BNE32:D label32, Ri	ifs/Z == 0	Ri: Temporary register *3
* BC32:D label32, Ri	ifs/C == 1	Ri: Temporary register *3
* BNC32:D label32, Ri	ifs/C == 0	Ri: Temporary register *3
* BN32:D label32, Ri	ifs/N == 1	Ri: Temporary register *3
* BP32:D label32, Ri	ifs/N == 0	Ri: Temporary register *3
* BV32:D label32, Ri	ifs/V == 1	Ri: Temporary register *3
* BNV32:D label32, Ri	ifs/V == 0	Ri: Temporary register *3
* BLT32:D label32, Ri	ifs/V xor N == 1	Ri: Temporary register *3
* BGE32:D label32, Ri	ifs/V xor N == 0	Ri: Temporary register *3
* BLE32:D label32, Ri	ifs/(V xor N) or Z == 1	Ri: Temporary register *3
* BGT32:D label32, Ri	ifs/(V xor N) or Z == 0	Ri: Temporary register *3
* BLS32:D label32, Ri	ifs/C or Z == 1	Ri: Temporary register *3
* BHI32:D label32, Ri	ifs/C or Z == 0	Ri: Temporary register *3

\*1: CALL32:D

- (1) If label32 – PC – 2 is between –0x800 and +0x7fe, instruction is generated as follows;

CALL:D label12

- (2) If label32 – PC – 2 is outside of the range given in (1) or includes external reference symbol, instruction is generated as follows;

LDI:32 #label32, Ri

CALL:D @Ri

\*2: BRA32:D

- (1) If label32 – PC – 2 is between –0x100 and +0xfe, instruction is generated as follows;

BRA:D label9

- (2) If label32 – PC – 2 is outside of the range given in (1) or includes external reference symbol, instruction is generated as follows;

LDI:32 #label32, Ri

JMP:D @Ri

\*3: Bcc32:D (BEQ32:D to BHI32:D)

- (1) If label32 – PC – 2 is between –0x100 and +0xfe, instruction is generated as follows;

Bcc:D label9

- (2) If label32 – PC – 2 is outside of the range given in (1) or includes external reference symbol, instruction is generated as follows;

Bxcc false            xcc is a revolt condition of cc

LDI:32 #label32, Ri

JMP:D @Ri

false:

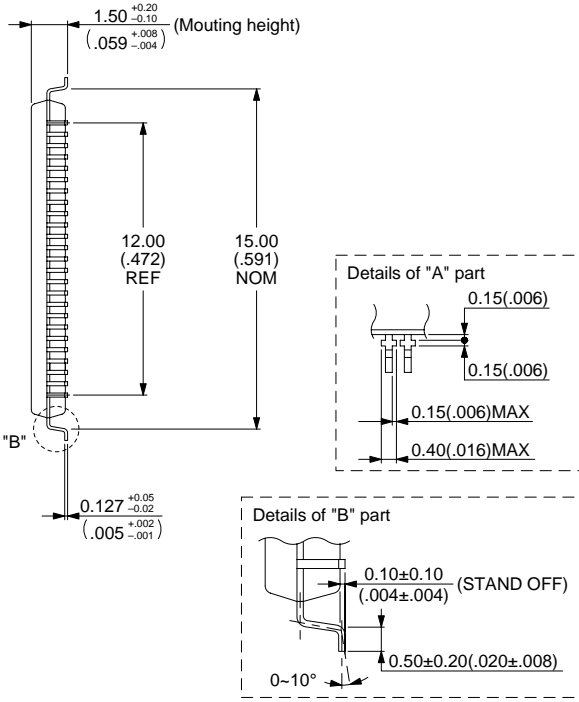
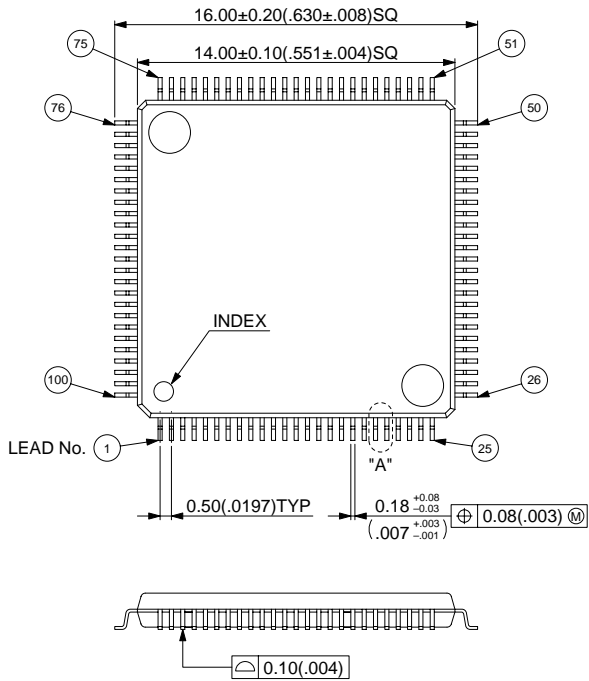
# MB91F109

## ■ ORDERING INFORMATION

Part number	Package	Remarks
MB91F109PFV-XXX	100-pin Plastic LQFP (FPT-100P-M05)	
MB91F109PF-XXX	100-pin Plastic QFP (FPT-100P-M06)	

## PACKAGE DIMENSIONS

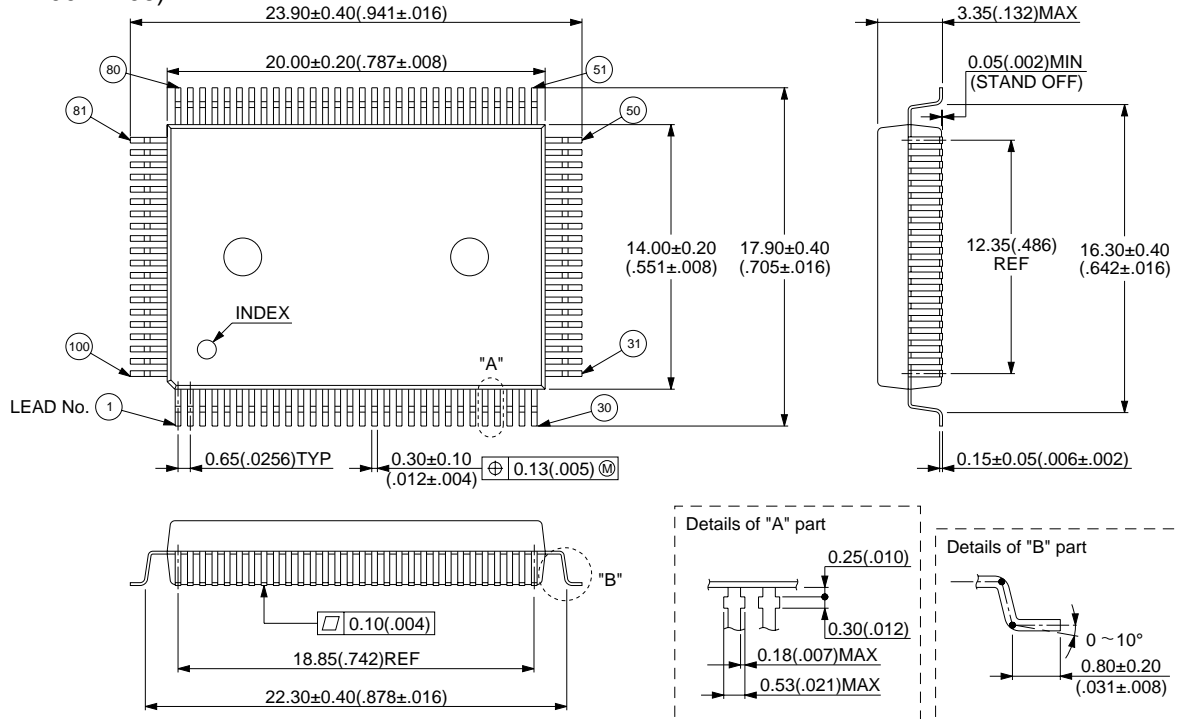
100-pin Plastic LQFP  
(FPT-100P-M05)



Dimensions in mm (inches)

# MB91F109

## 100-pin Plastic QFP (FPT-100P-M06)



© 1994 FUJITSU LIMITED F100008-3C-2

Dimensions in mm (inches)

## FUJITSU LIMITED

*For further information please contact:*

### **Japan**

FUJITSU LIMITED  
Corporate Global Business Support Division  
Electronic Devices  
Shinjuku Dai-Ichi Seimei Bldg. 7-1,  
Nishishinjuku 2-chome, Shinjuku-ku,  
Tokyo 163-0721, Japan  
Tel: +81-3-5322-3347  
Fax: +81-3-5322-3386

<http://www.fujitsu.co.jp/>

### **North and South America**

FUJITSU MICROELECTRONICS, INC.  
3545 North First Street,  
San Jose, CA 95134-1804, U.S.A.  
Tel: +1-408-922-9000  
Fax: +1-408-922-9179

Customer Response Center  
*Mon. - Fri.: 7 am - 5 pm (PST)*  
Tel: +1-800-866-8608  
Fax: +1-408-922-9179

<http://www.fujitsumicro.com/>

### **Europe**

FUJITSU MICROELECTRONICS EUROPE GmbH  
Am Siebenstein 6-10,  
D-63303 Dreieich-Buchsschlag,  
Germany  
Tel: +49-6103-690-0  
Fax: +49-6103-690-122

<http://www.fujitsu-fme.com/>

### **Asia Pacific**

FUJITSU MICROELECTRONICS ASIA PTE. LTD.  
#05-08, 151 Lorong Chuan,  
New Tech Park,  
Singapore 556741  
Tel: +65-281-0770  
Fax: +65-281-0220

<http://www.fmap.com.sg/>

### **Korea**

FUJITSU MICROELECTRONICS KOREA LTD.  
1702 KOSMO TOWER, 1002 Daechi-Dong,  
Kangnam-Gu, Seoul 135-280  
Korea  
Tel: +82-2-3484-7100  
Fax: +82-2-3484-7111

F0009

© FUJITSU LIMITED Printed in Japan

All Rights Reserved.

The contents of this document are subject to change without notice. Customers are advised to consult with FUJITSU sales representatives before ordering.

The information and circuit diagrams in this document are presented as examples of semiconductor device applications, and are not intended to be incorporated in devices for actual use. Also, FUJITSU is unable to assume responsibility for infringement of any patent rights or other rights of third parties arising from the use of this information or circuit diagrams.

The contents of this document may not be reproduced or copied without the permission of FUJITSU LIMITED.

FUJITSU semiconductor devices are intended for use in standard applications (computers, office automation and other office equipments, industrial, communications, and measurement equipments, personal or household devices, etc.).

#### **CAUTION:**

Customers considering the use of our products in special applications where failure or abnormal operation may directly affect human lives or cause physical injury or property damage, or where extremely high levels of reliability are demanded (such as aerospace systems, atomic energy controls, sea floor repeaters, vehicle operating controls, medical devices for life support, etc.) are requested to consult with FUJITSU sales representatives before such use. The company will not be responsible for damages arising from such use without prior approval.

Any semiconductor devices have inherently a certain rate of failure. You must protect against injury, damage or loss from such failures by incorporating safety design measures into your facility and equipment such as redundancy, fire protection, and prevention of over-current levels and other abnormal operating conditions.

If any products described in this document represent goods or technologies subject to certain restrictions on export under the Foreign Exchange and Foreign Trade Control Law of Japan, the prior authorization by Japanese government should be required for export of those products from Japan.