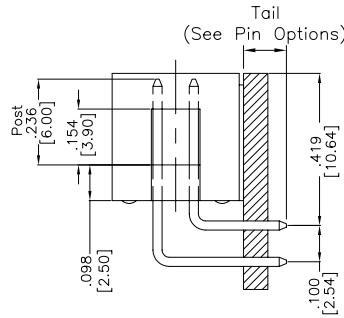
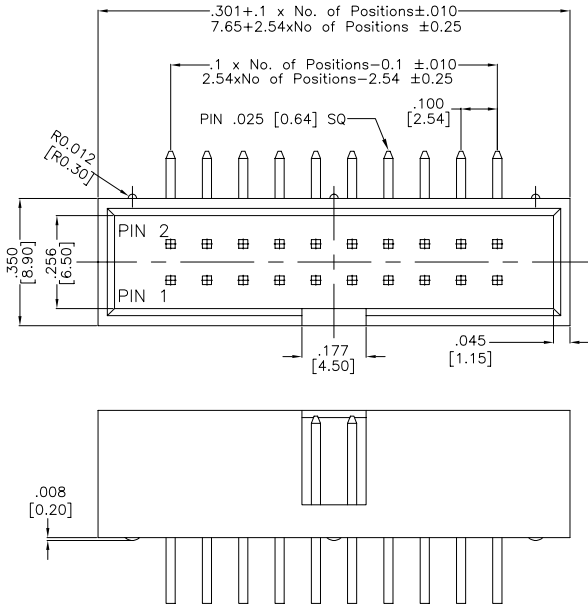
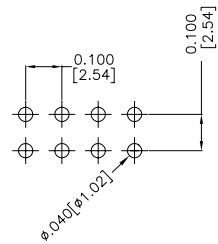


# Major League Electronics .100" cl Shrouded Board Stacker Terminal Strips



Recommended P.C.Board Hole Layout



Tails may be clipped to achieve desired pin length

## Ordering Information

SHTSHR-1  - D -  - A -  -  -  -  - LF

Pins Per Row  
03 - 32

Double

Pin Options	
Tail Length	
2.54 (.100)	02
3.00 (.118)	04

Post Option

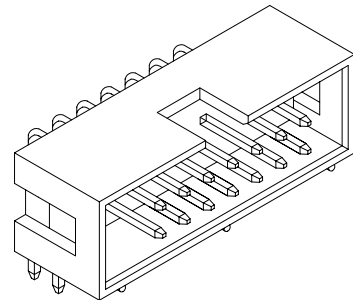
Plating Options	
- 10µ Gold on Contact area/Flash on Tail	G
- 10µ Gold on Contact Area/Matte Tin on Tail	GT
- Matte Tin all Over	T
- Gold Flash Over Entire Pin	F

Lead Free

Polarized Position  
001 - 064  
Leave blank if not needed

Lock Tight "LT" (Optional)  
LT = With  
Leave blank if not needed

Two tails per strip are crimped in opposing directions on or near the centerline. Must have a minimum dimension of .050". Recommended hole size of .040".



Mates with:  
IDS-1

Insulator	Polyester UL 94V-0 Nylon 6-T	Current Rating	3 Amps
Contact	Copper Alloy	Dielectric Withstanding	600V AC
Insulation resistance	1000 MOHMS min.	Operating Temperature	-40°C to +105°C
Contact Resistance	20 mOHMS max.		

Products cut to specific sizes are uncancellable/nonreturnable

Parts are subject to change without notice

UNLESS OTHERWISE SPECIFIED  
DIMENSIONS IN INCHES (MM)

TOLERANCES ARE:  
ONE PLACE DECIMALS ±0.38  
TWO PLACE DECIMALS ±0.25  
THREE PLACE DECIMALS ±0.13

ANGLES  
NO DECIMALS ±5°  
ONE PLACE DECIMALS ±2°  
TWO PLACE DECIMALS ±1°  
THREE PLACE DECIMALS ±0.5°

SHTSHR-1 SERIES

.100" cl Shrouded Board Stacker Terminal Strips  
Right Angle

19 APR 07

Scale  
NTS



4235 Earnings Way, New Albany, Indiana, 47150, USA  
1-800-782-3486 (USA/Canada/Mexico)

Tel: 812-944-7244

Fax: 812-944-7268

E-mail: mle@mlelectronics.com

Web: www.mlelectronics.com

Edition  
1

Sheet  
1/1