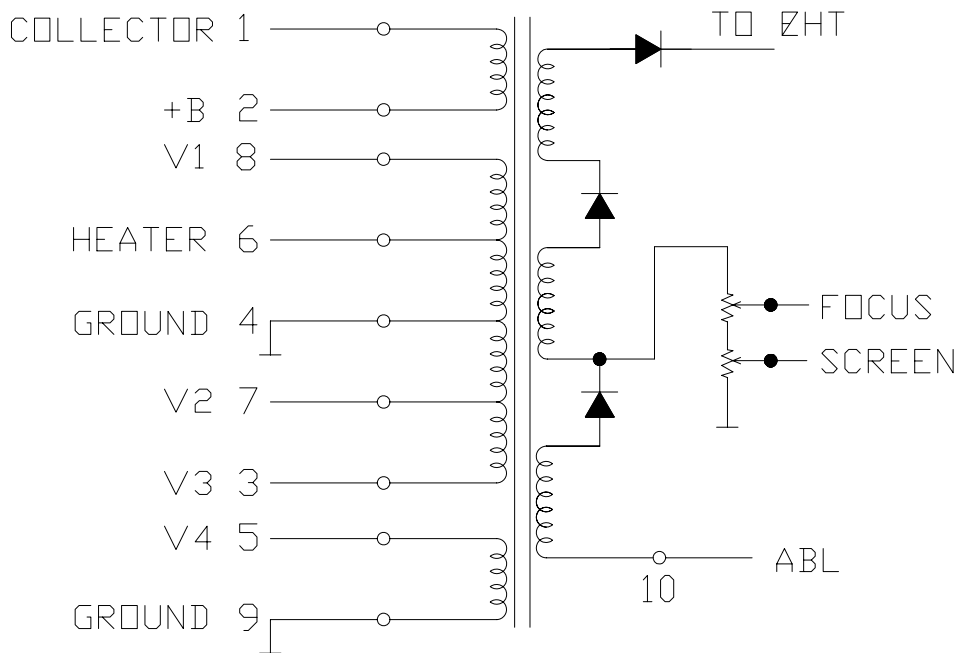
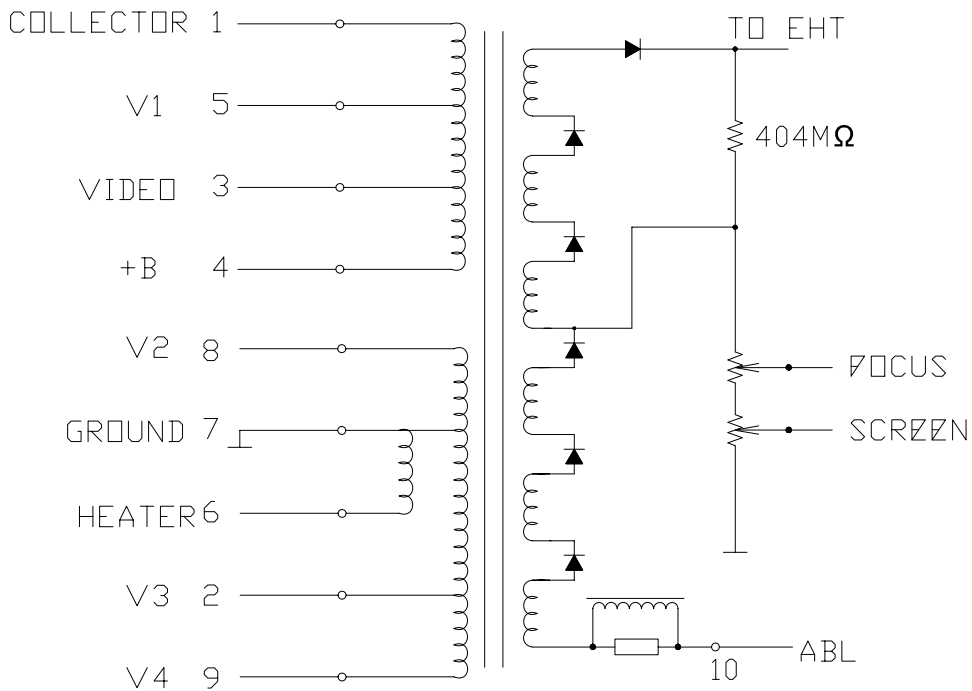


FSV20B001



HV	26KV
FV	4.6-9KV
SV	73-995V

FUH29A001 (S)



HV	28.2KV
FV	4 -7.9KV
SV	100-700V