

NEW



0.4mm Pitch, Stacking Type
Board-to-Board(FPC) Connector

AA07 Series

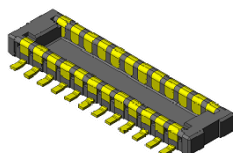
CONNECTOR

MB-0215-2

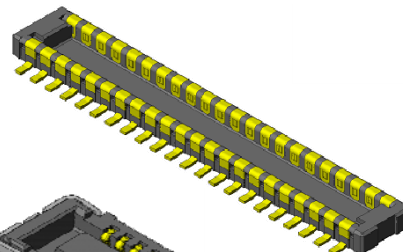
September 2010

RoHS Compliant

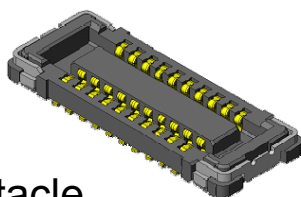
Plug



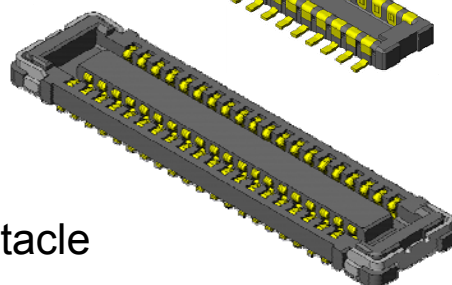
Plug



Receptacle



Receptacle



The AA07 Series is a board-to-board(FPC) connector with 0.4mm pitch spacing that is ideal for high-density mounting in slim information communication devices like mobile phones, LCDs, notebook PCs, and PDAs.

To satisfy different product function requirements, a low pin count type and a high pin count type (AA07A/AA07B) are available with the same mounting pattern.

Features

- 0.4mm pitch, 2 rows, 0.7mm stacking height.
- Contact structure ensures high wear-resistance and high contact reliability.
- Secure hold-downs prevent insulator breakage and peeling from FPC.
- 2-point contact design to resist twisting stress.
- Pb-free. Ni barrier on contact prevents solder wicking.
- High removal force AA07A for (low pin count: 10-30 pos.)
- Low insertion force AA07B for (high pin count 40-70 pos.)
- * Mounting pattern for AA07A and AA07B is the same.

General Specifications

- (AA07A) No. of Contacts:
(10)(16)(20) 26, 30 pos.
- (AA07B) No. of Contacts:
40, 50, 60, 70 pos.

Note: () are planned to be developed

- Pitch: 0.4mm, 2 rows
- Operating Temperature:
-40 Deg. C to +85 Deg. C
- Contact Resistance: 70mΩ max (initial)
- Life Time: 50 mating cycles

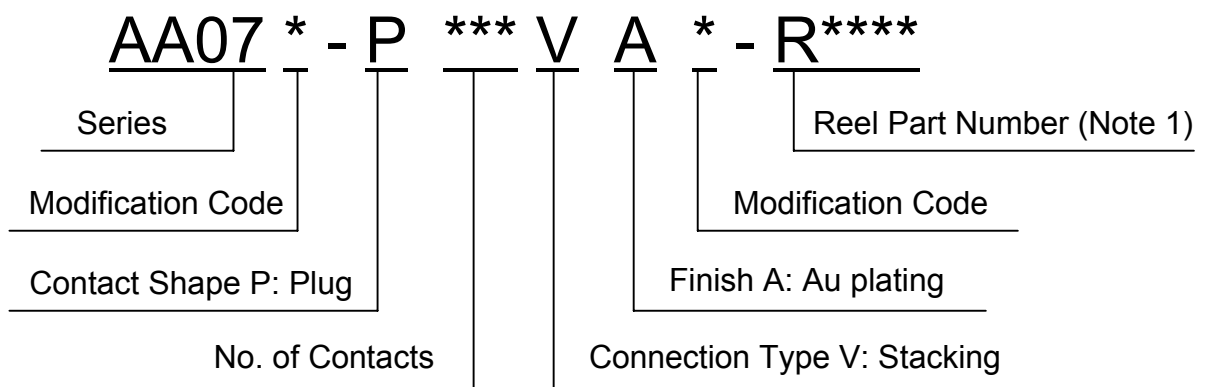
- Rated Current: DC 0.2A each per terminal
- Rated Voltage: AC, DC 50V
- Insulation Resistance: 100MΩ min. (initial)
- Dielectric Withstanding Voltage:
AC250Vr.m.s per minute

- (AA07A) total insertion force:
1.50N x n max. (n: No. of pos.)
- (AA07A) total removal force:
0.15N x n min. (n: No. of pos.)
- (AA07B) total insertion force:
1.00N x n max. (n: No. of pos.)
- (AA07B) total removal force:
0.10N x n min. (n: No. of pos.)

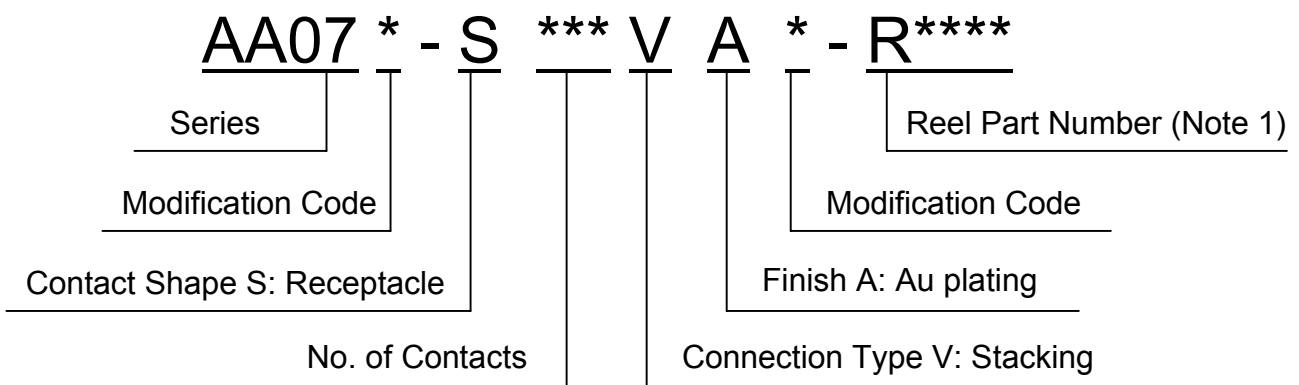
Materials and Finishes

Component	Material / Finish
Contact	Cu alloy / Au plating (0.1 μm min.)
Insulator	Heat-resistant plastic
Hold-Down	Plug: Cu alloy / Au plating (0.1 μm min.) Receptacle: Cu alloy / Sn plating

Ordering Information (Plug)



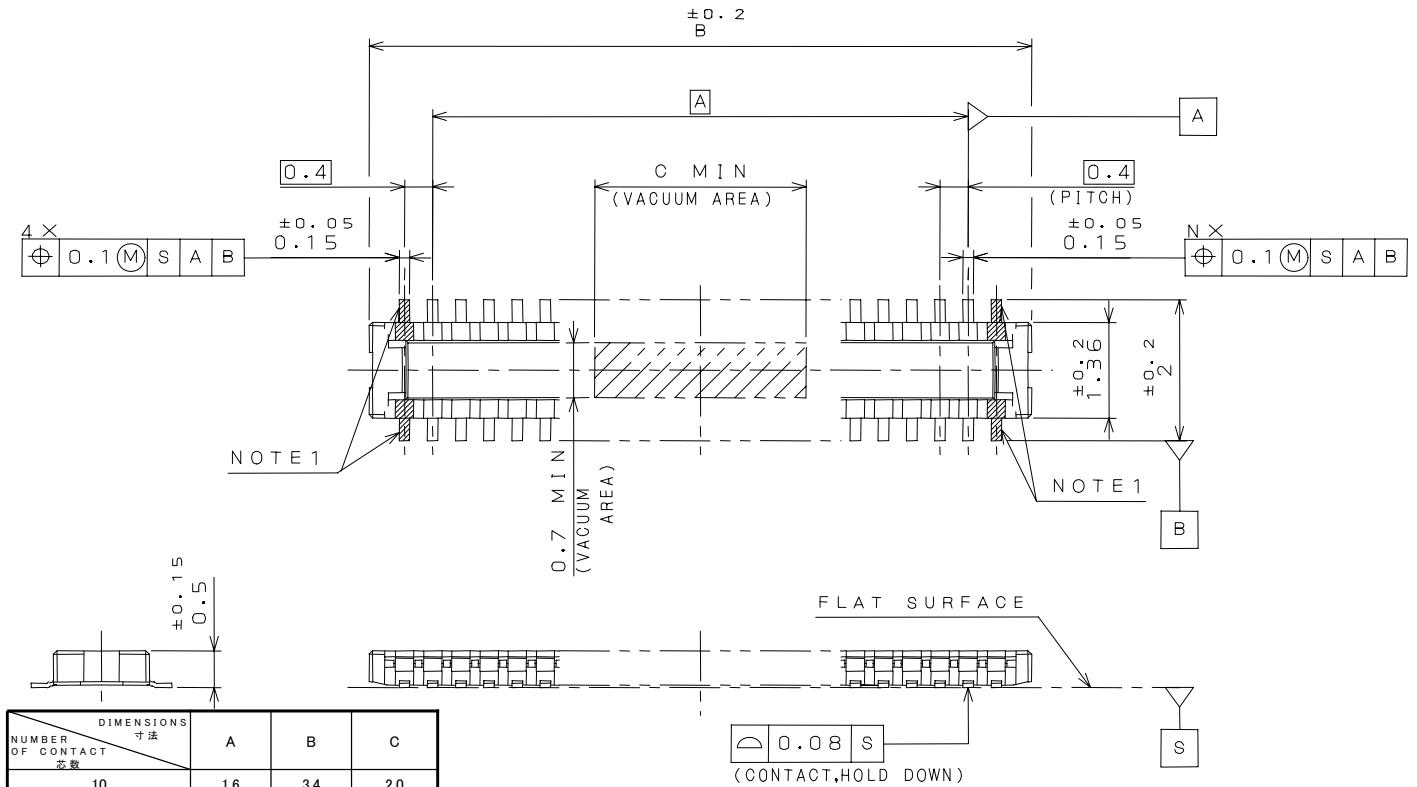
Ordering Information (Receptacle)



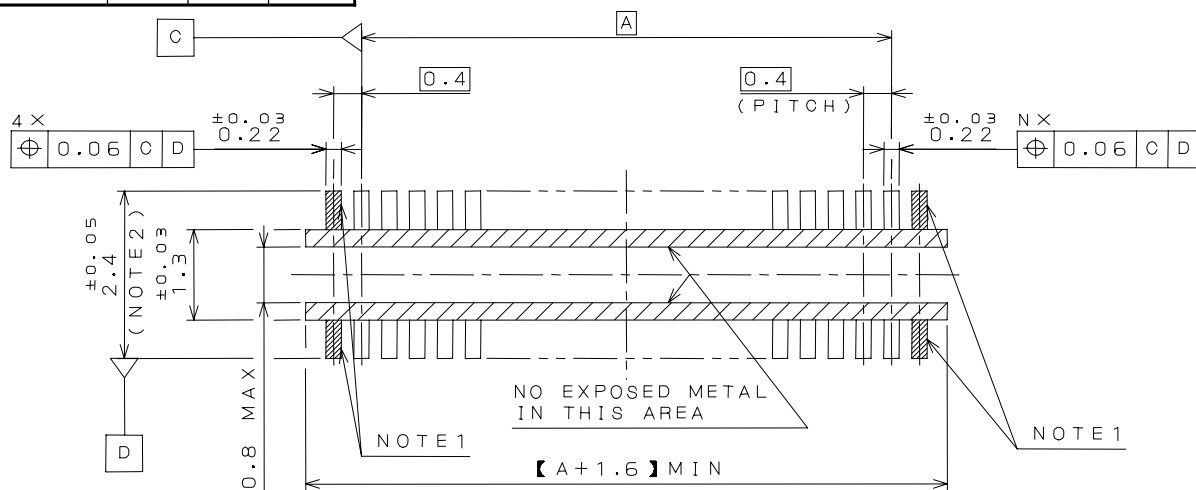
Note1) An embossed tape reel contains 6,000 pieces.
Please contact us for details on embossed tape specifications.

Part Number	AA07-P***VA1
SJ Drawing	SJ109205

AA07A Plug



NUMBER OF CONTACT 芯数	DIMENSIONS 寸法		
	A	B	C
10	1.6	3.4	2.0
16	2.8	4.6	2.0
20	3.6	5.4	2.0
26	4.8	6.6	5.0
30	5.6	7.4	5.0
42	8.0	9.8	5.0



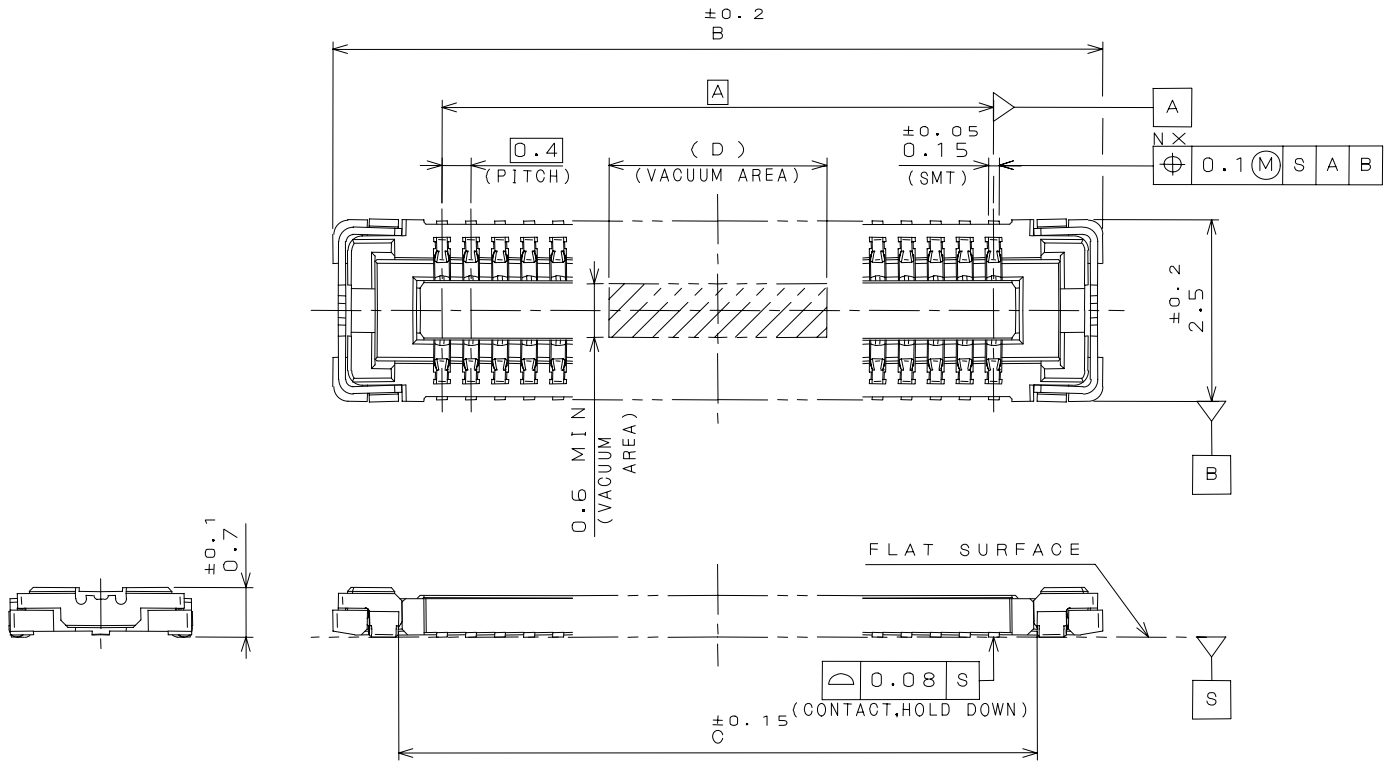
APPLICABLE P.C.B. DIMENSION (REF.)
適合基板寸法 (参考)

Note1) Four corners are hold-downs. (Can not be used for electrical connection.)
ex. Connector with 20(N) pos. will have same amount of SMT terminals as 24(N+4) pos.

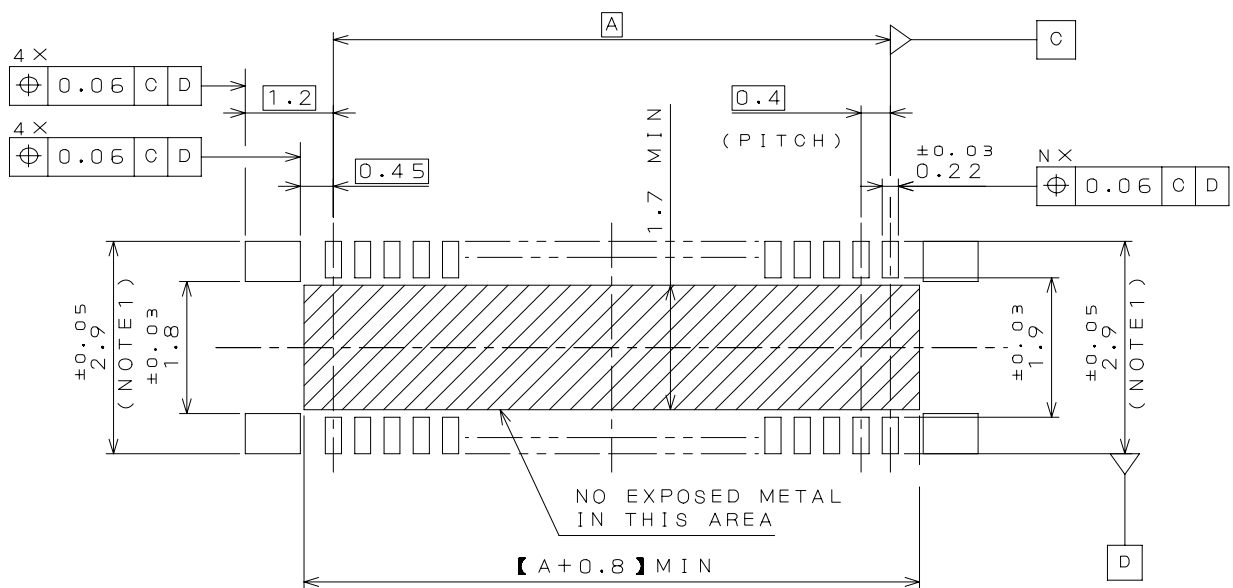
Note2) Dimension 3 ± 0.05 is recommended in case repair is needed.

Part Number	AA07A-S***VA1
SJ Drawing	SJ110471

AA07A Receptacle



DIMENSIONS 寸法	A	B	C	D
NUMBER OF CONTACT 芯数				
26	4.8	7.8	6.0	5.0
30	5.6	8.6	6.8	5.0

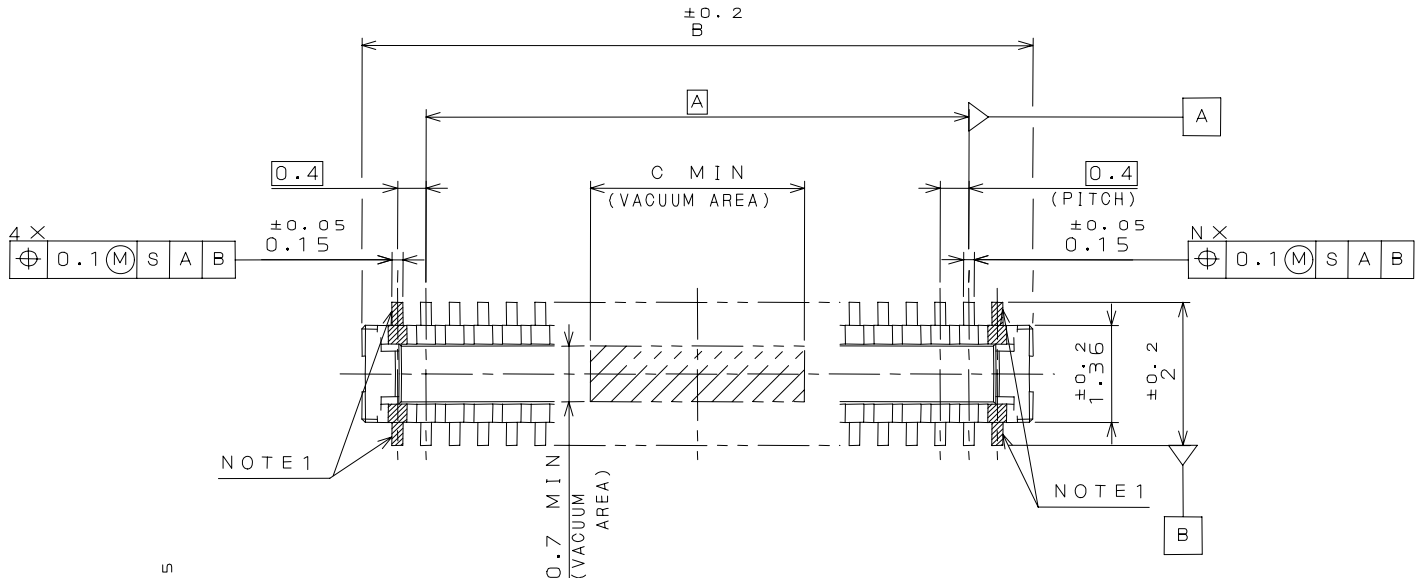


APPLICABLE P.C.B. DIMENSION (REF.)
適合基板寸法 (参考)

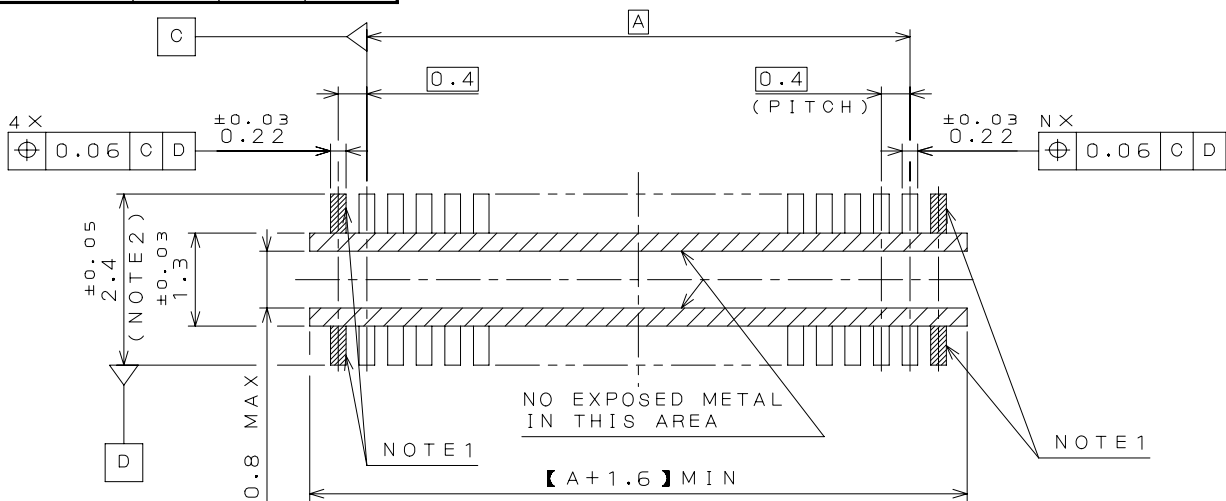
Note1) Dimension 3 ± 0.05 is recommended in case repair is needed.

Part Number	AA07B-P***VA1
SJ Drawing	SJ110700

AA07B Plug



DIMENSIONS NUMBER OF CONTACT 寸法 芯数	A	B	C
40	7.6	9.4	5.0
50	9.6	11.4	5.0
60	11.6	13.4	5.0
70	13.6	15.4	5.0



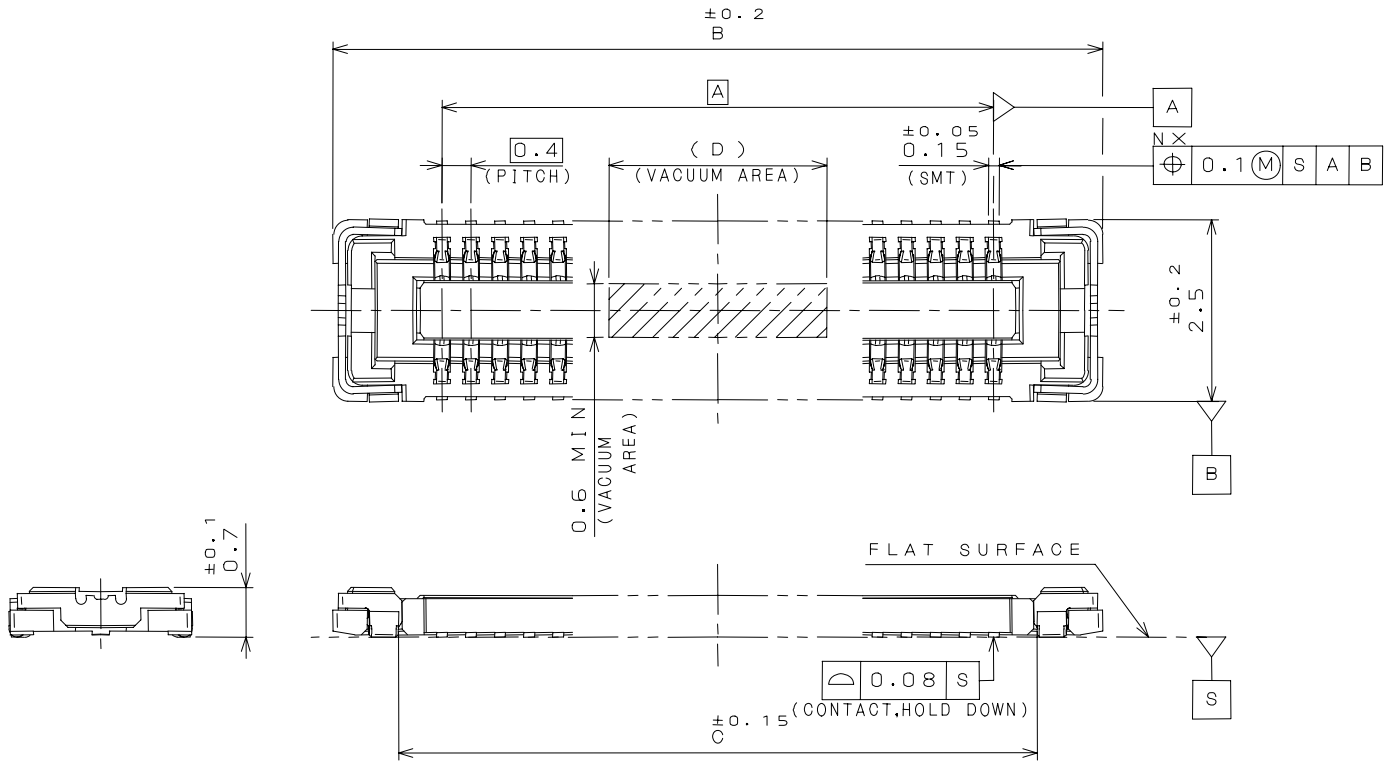
APPLICABLE P.C.B. DIMENSION (REF.)
適合基板寸法 (参考)

Note1) Four corners are hold-downs. (Can not be used for electrical connection.)
ex. Connector with 20(N) pos. will have same amount of SMT terminals as 24(N+4) pos.

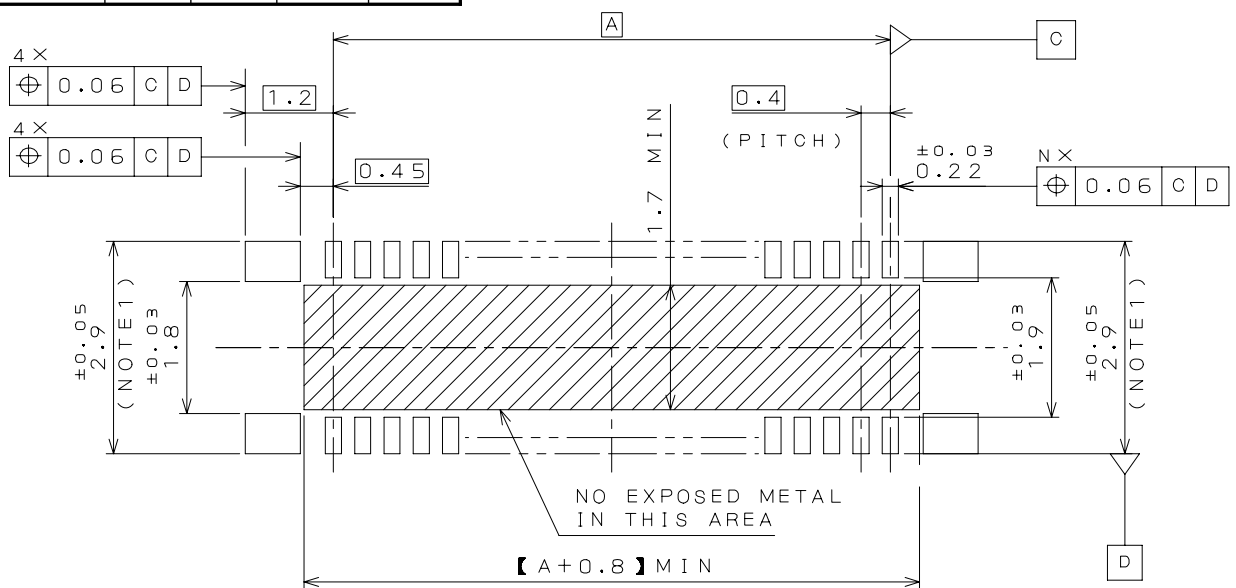
Note2) Dimension 3±0.05 is recommended in case repair is needed.

Part Number	AA07B-S***VA1
SJ Drawing	SJ110701

AA07B Receptacle



NUMBER OF CONTACT 芯数	DIMENSIONS 寸法			
	A	B	C	D
40	7.6	10.6	8.8	5.0
50	9.6	12.6	10.8	5.0
60	11.6	14.6	12.8	5.0
70	13.6	16.6	14.8	5.0



APPLICABLE P.C.B. DIMENSION (REF.)
適合基板寸法 (参考)

Note1) Dimension 3 ± 0.05 is recommended in case repair is needed.

Product Line-up

Type	Plug PN (Drawing)	Receptacle PN (Drawing)	No.of Contacts
AA07A	AA07-P***VA1 (SJ109205)	AA07A-S***VA1 (SJ110471)	10~30 pos.
AA07B	AA07B-P***VA1 (SJ110700)	AA07B-S***VA1 (SJ110701)	40~70 pos.

Japan Aviation Electronics Industry, Limited

Product Marketing Division
Aobadai Building, 3-1-19, Aobadai, Meguro-ku, Tokyo 153-8539
Phone: +81-3-3780-2787 FAX: +81-3-3780-2946

Notice: Products shown in this leaflet are made for the applications listed below. However, if the above-mentioned products are to be used in aerospace devices, marine cable-connection devices, atomic power control systems, medical equipment for life-support systems, or any other specific application requiring extremely high reliability, please contact JAE for further information.

Recommended applications: Computers, Office machines, Measuring devices, Telecommunication devices (Terminals, Mobile devices), AV devices, Household applications, FA devices, etc.