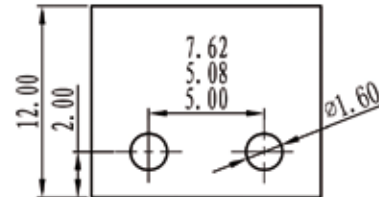
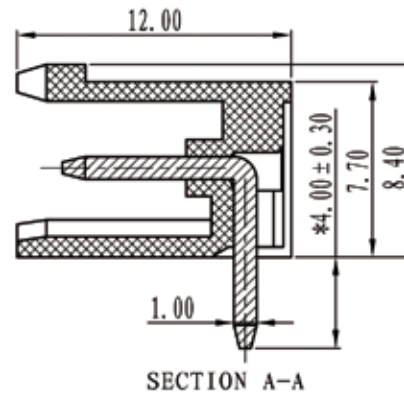
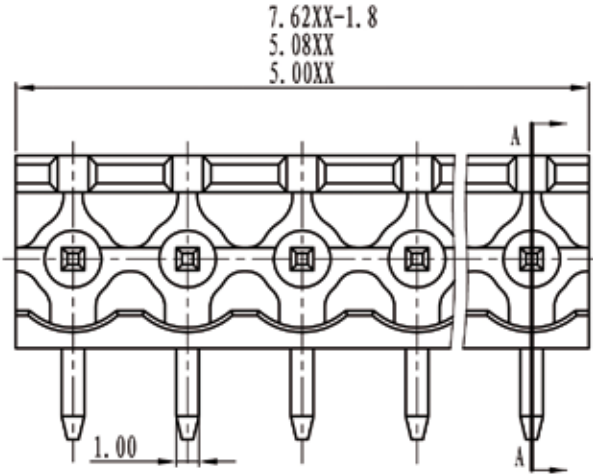


# euro-block

product specification



## Electrical

Standard: UL-IEC  
 Rated voltage: 250V-320V  
 Rated current: 10A-20A  
 Contact resistance: 20m  $\Omega$   
 Withstanding voltage: AC2000V/1Min  
 Insulation resistance: 5000M  $\Omega$ /DC1000V

## Mechanical

Temp.Range: -40°C~+105°C  
 MAX soldering: +250°C, for 5 sec

## Dimensions

Pitch: 5.00mm, 5.08mm, 7.62mm  
 Poles: 2p-24p

## Material

Housing: PA66, UL94V-0  
 Pin header: Brass, Tin plated

TOLERANCES EXCEPT AS NOTED

variable range	linear dimension					fillet	chanfer	short angle sid				≡	—	□	//	⊥	
	to 6	over 6 to 30	over 30 to 120	over 120 to 480	over 480 to			to 6	to 10	to 10	to 50						to 120
tolerance	±0.1	±0.2	±0.3	±0.5	±0.9	±0.2	±0.5	±1	1'	30'	20'	10'	0.5	0.025	0.06	0.12	0.4

UNITS	mm	SIZE	A4	SCALE	FIRST ANGLE PROJECTION	
					NAME	CCM-5/5.08/7.62-H