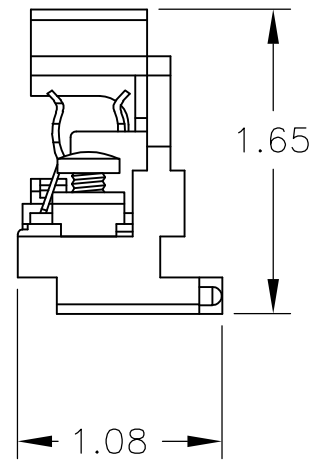
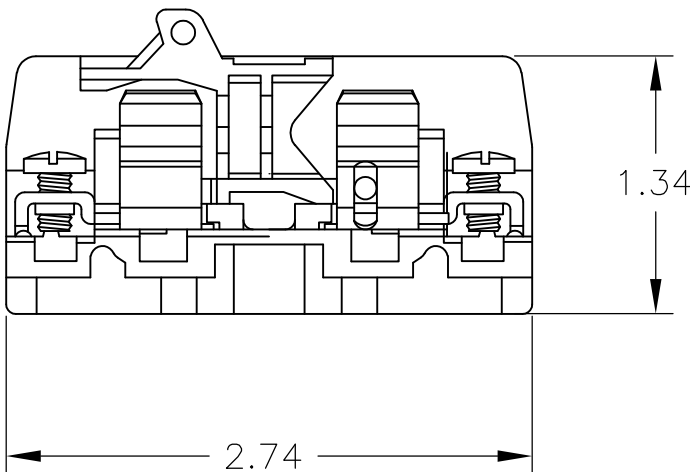
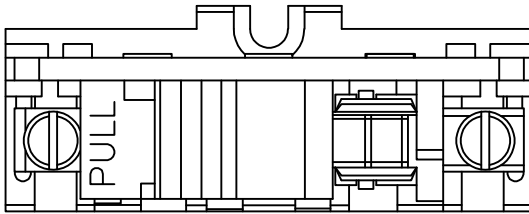


LOC	DIST	REVISIONS					
—	—	P	LTR	DESCRIPTION	DATE	DWN	APVD
			A	REDRAWN PER ECO-08-023052	30SEP08	HMR	SM



0351	PHENOLIC, DOVETAIL	1437397-9
351	PHENOLIC, FLAT	2-1437397-8
P0311	POLY DOVETAIL	4-1437397-0
0311	NYLON DOVETAIL	1437397-1
CAT. NO.	DESCRIPTION	PART NO.

THIS DRAWING IS UNPUBLISHED. ALL INTERNATIONAL RIGHTS RESERVED. BY TYCO ELECTRONICS CORPORATION.

DIMENSIONS: INCHES  TOLERANCES UNLESS OTHERWISE SPECIFIED: 0 PLC ± - 1 PLC ± - 2 PLC ± .01 3 PLC ± .005 4 PLC ± .0005 ANGLES ± 1°	DWN	30SEP08	MATERIAL	FINISH
	CHK	30SEP08	-	
	APVD	30SEP08	Tyco Electronics Corporation Harrisburg, PA 17105-3608	
	PRODUCT SPEC	NAME		
	APPLICATION SPEC	CONTACT SECTION W/ FUSE PULLER & TUBULAR CONTACT		
	WEIGHT	—	SIZE	CAGE CODE
			A4	00779
			DRAWING NO	
			C-1437397-1	
			RESTRICTED TO	
			—	
			SCALE	SHEET
			1:1	1 OF 1
			REV	
			A	
			CUSTOMER DRAWING	

