

55000 series

VDE approved toggle switches

MODEL
STRUCTURE



EN 61058-1



- The switches described below are marked VDE as standard.
- UL and CSA agency approvals are also available. To order a switch marked UL or CSA, please complete "Other agency approvals" box.

ELECTRICAL SPECIFICATIONS

- Class I (normal insulation)
- Small contact opening : μ (< 3 mm (.118))
- Current/voltage rating with resistive load : 3A 250VAC - 6A 125VAC
- Dielectric strength :
2.000 Vrms 50 Hz min. between poles and between terminals and frame
1.000 Vrms 50 Hz min. between terminals
- Special body for increased creepage distance and air gap : 3 mm (.118)

MATERIALS

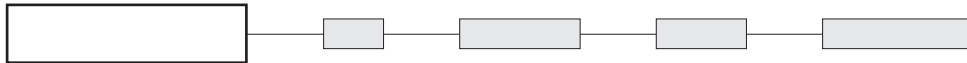
- Contacts : silver
- Case : diallylphthalate (DAP)
- Actuator : brass, chrome plated with insulating vinyl cap
- Bushing : brass, nickel plated
- Housing : stainless steel
- Terminal seal : epoxy

GENERAL SPECIFICATIONS

- Insulating cap, compulsory, supplied glued on the lever :
U270 for models 55600A, 55200A and 55200ZA
U1040 for models 55200WA and 55200WA X433
- Ground connector :
U721 compulsory if the panel is not metallic or not connected to ground
- Epoxy sealed terminals standard

Further specifications, see 5000 series.

MODEL STRUCTURE



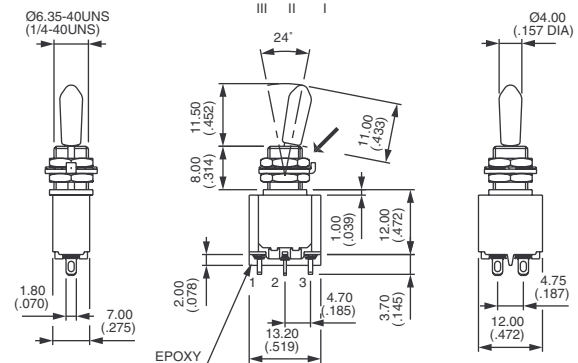
Solder lugs

→ Keyway

III	II	I
2-3		1-2
5-6		4-5

Single pole Double pole

55636A	55646A	ON	-	ON
55639A	55649A	ON	OFF	ON



Also available with $\varnothing 6$ mm (.236) bushing : **55500**.

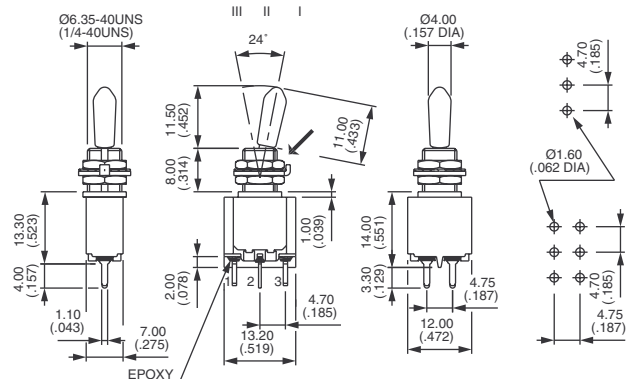
Straight PC terminals

→ Keyway

III	II	I
2-3		1-2
5-6		4-5

Single pole Double pole

55236A	55246A	ON	-	ON
55239A	55249A	ON	OFF	ON



Also available with $\varnothing 6$ mm (.236") bushing : **55100**.



55000 series

VDE approved toggle switches

Right angle terminals - horizontal

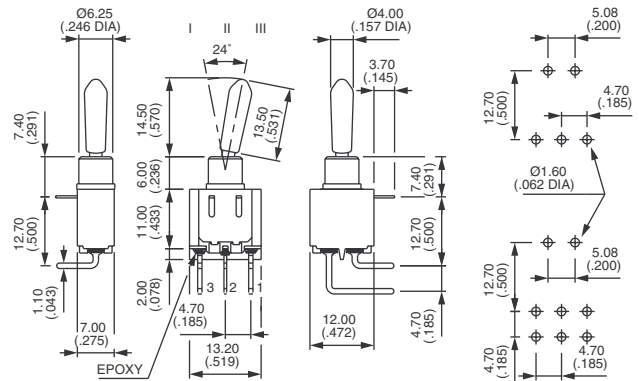
III	II	I
2-3		1-2
5-6		4-5

Single pole Double pole*

55236WA	55246WA X433	ON	-	ON
55239WA	55249WA X433	ON	OFF	ON

"X433" to be placed in the third box of ordering format.

Also available for VERTICAL mounting (on request).



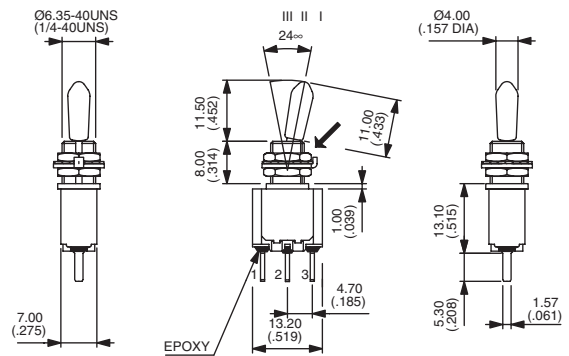
Quick-connect terminals

→ Keyway

III	II	I
2-3		1-2

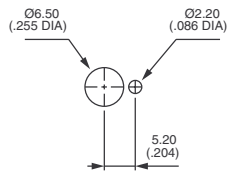
Single pole

55236Z	ON	-	ON
55239ZA	ON	OFF	ON

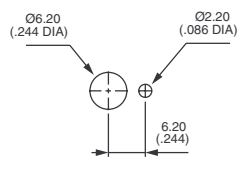


PANEL CUT-OUT

Bushing Ø 6,35 (1/4)

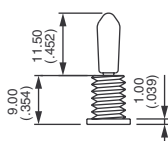
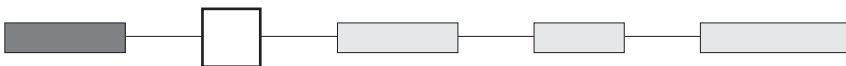


Bushing Ø 6 (.236)



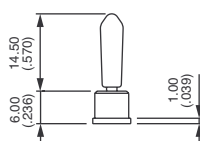
* In double pole W models, spacing between poles on PCB is different from standard : 4,7 mm (.185) instead of 3,81 mm (.150)

LEVERS



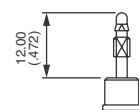
-13

For threaded bushing models
Cap U270 compulsory



-13

For plain bushing models
Cap U1040 compulsory



-4N

For use with paddles only

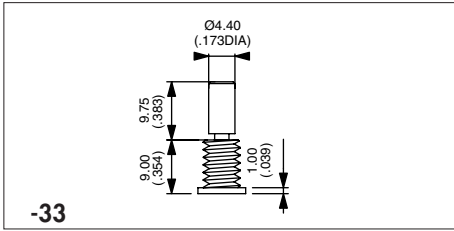
55000 series

VDE approved toggle switches

OPTIONS

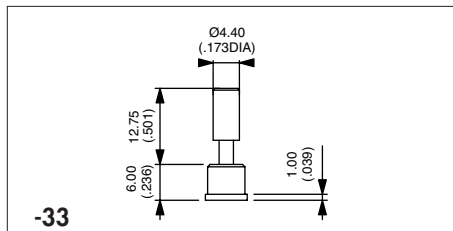


LEVERS (continued)



-33

For threaded bushing models



-33

For plain bushing models

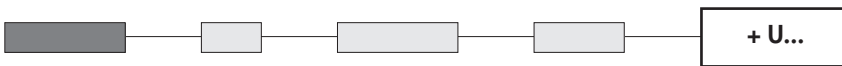
OTHER AGENCY APPROVALS



UL - CSA

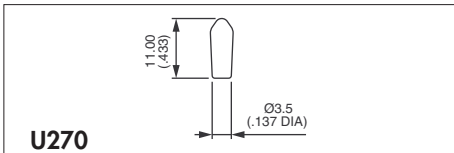
To order a switch additionally marked UL and/or CSA, complete above box with desired approvals.

INSULATING CAPS AND PADDLES



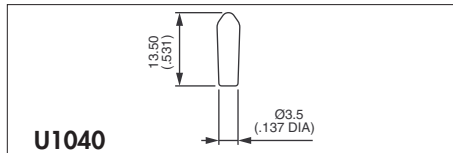
Insulating caps

Compulsory - delivered assembled on the lever - not available in ivory colour



U270

For threaded bushing models

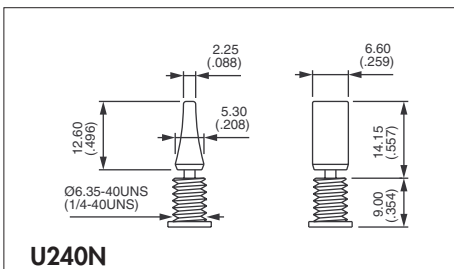


U1040

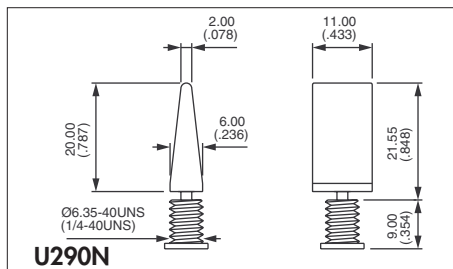
For plain bushing models

Paddles

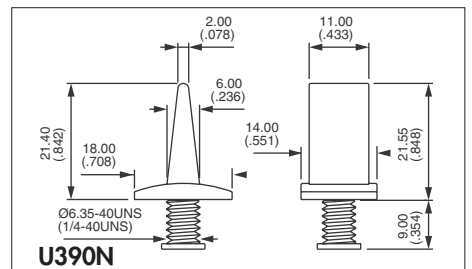
For use with lever 4N only. Shown with threaded bushing. Order separately.



U240N



U290N



U390N

Cap/paddle colours

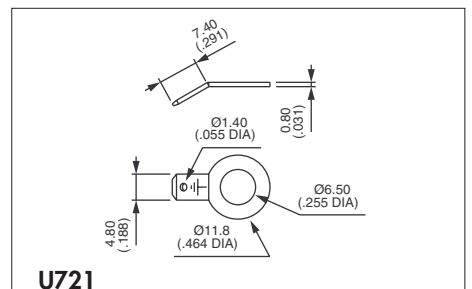
Replace last "0" by number

- 1 blue
- 1/4 dark blue
- 2 black
- 3 green
- 4 grey
- 5 yellow
- 7 ivory
- 7/1 white
- 9 orange



GROUND CONNECTOR

IMPORTANT : compulsory on models with threaded bushing if the panel is not metallic or not connected to ground. Order separately.



U721